

**SIMPLI™**  
HOME

Wyndent Hall™  
HOME DECOR  
brooklyn + max™

**CARLTON / RICHLAND / STERLING**

---

**9 CUBE BOOKCASE & STORAGE UNIT**

MODEL # 3AXCCRL-07





## **DO NOT RETURN**

**FOR REPLACEMENT PARTS OR OTHER INQUIRIES  
PLEASE CONTACT US AT:**

**[simpli-home.com/customer-support](https://simpli-home.com/customer-support)**

**PLEASE ENSURE TO HAVE THE MODEL #  
FROM THE PACKAGING OR  
INSTRUCTION BOOKLET**

**IMPORTANT** : Please read this manual carefully before beginning assembly of this product. Keep this manual for future reference.

## SAFETY INFORMATION

Identify all the parts and hardware. Do not discard of the packaging until you have checked that you have all of the parts and hardware required. Hardware package may have spare parts.

**WARNING:** This item contains small parts which can be swallowed by children and pets. Keep children and pets away during assembly. To avoid danger of suffocation, always keep plastic bags away from children and pets.

We recommend that you assemble this unit on a carpeted floor to avoid scratches. We do not recommend the use of power tools for assembly as this could damage the unit. Only use manual tools.

May require 2 people for ease of assembly.

## CARE and MAINTENANCE

To clean, use a soft or slightly damp cloth, then wipe with a clean, dry cloth. Dust with soft dry cloth.

Do not use ammonia-based cleaning products, as they will damage the finish.

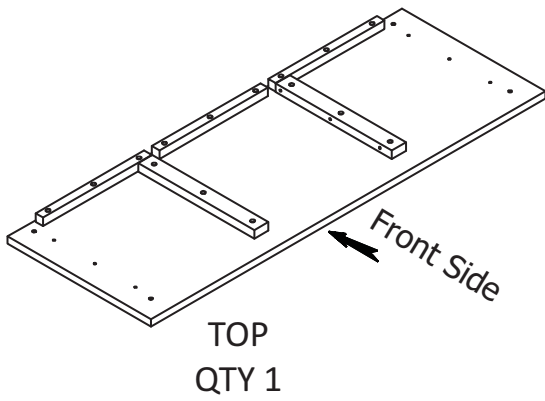
Do not leave liquids or damp cloths on this furniture.

To avoid dulling of the finish, do not place furniture in direct sunlight.

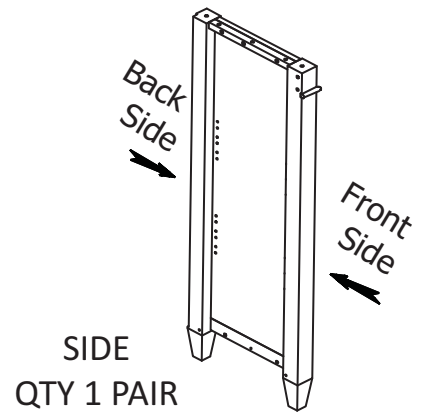
Please inspect and tighten all screws or bolts on a regular basis to ensure proper performance and safety of your item.

**PARTS DESCRIPTION**

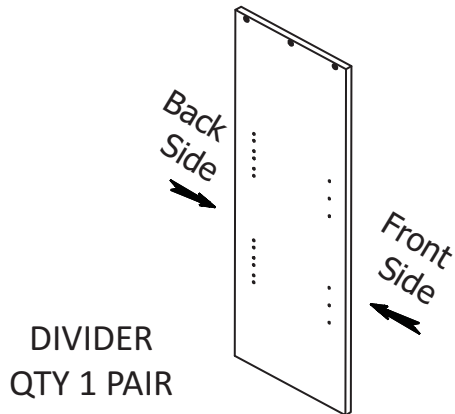
**A**



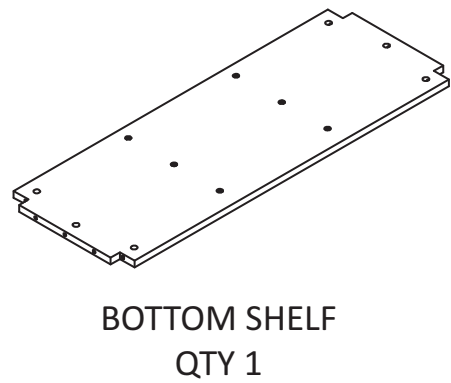
**B**



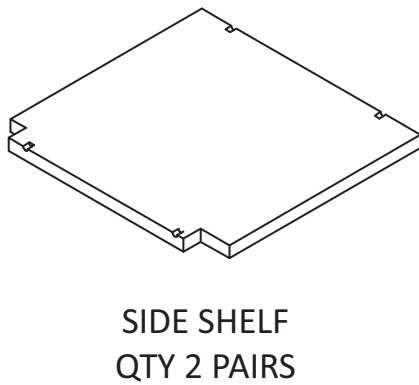
**C**



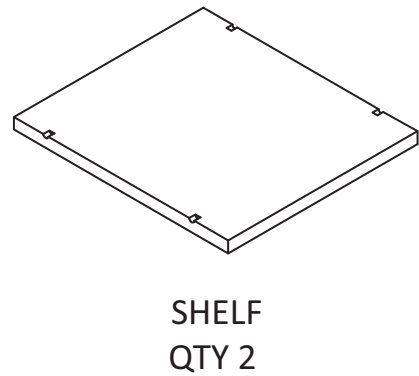
**D**



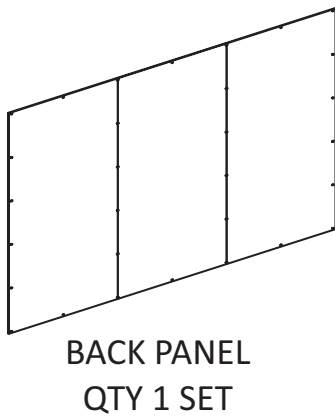
**E**



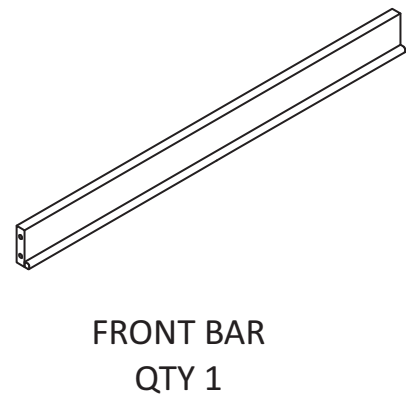
**F**



**G**



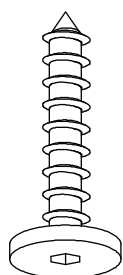
**H**



**NEED HELP?** For help with assembly or if you are missing a part,  
Please call customer service at 1-866-518-0120 ext. 262 (9 am to 5 pm EST)

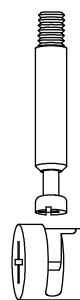
**HARDWARE DESCRIPTION**

**1**



ALLEN KEY SCREW  
M6 X 30 mm  
QTY 18

**2**



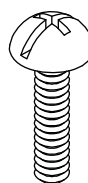
CAM LOCK PIN  
CAM LOCK  
QTY 6 SETS

**3**



ALLEN KEY  
QTY 1

**4**



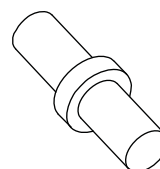
PHILLIPS SCREW  
ROUND HEAD  
M4 X 15 mm  
QTY 30

**5**






WOOD DOWEL  
Ø8 X 30 mm  
QTY 16

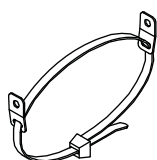
**6**



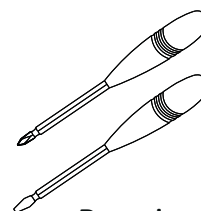
SHELF SUPPORT  
QTY 36

**7**

- a.  M4 x 25mm
- b.  M4 x 15mm
- c.  M4 x 25mm

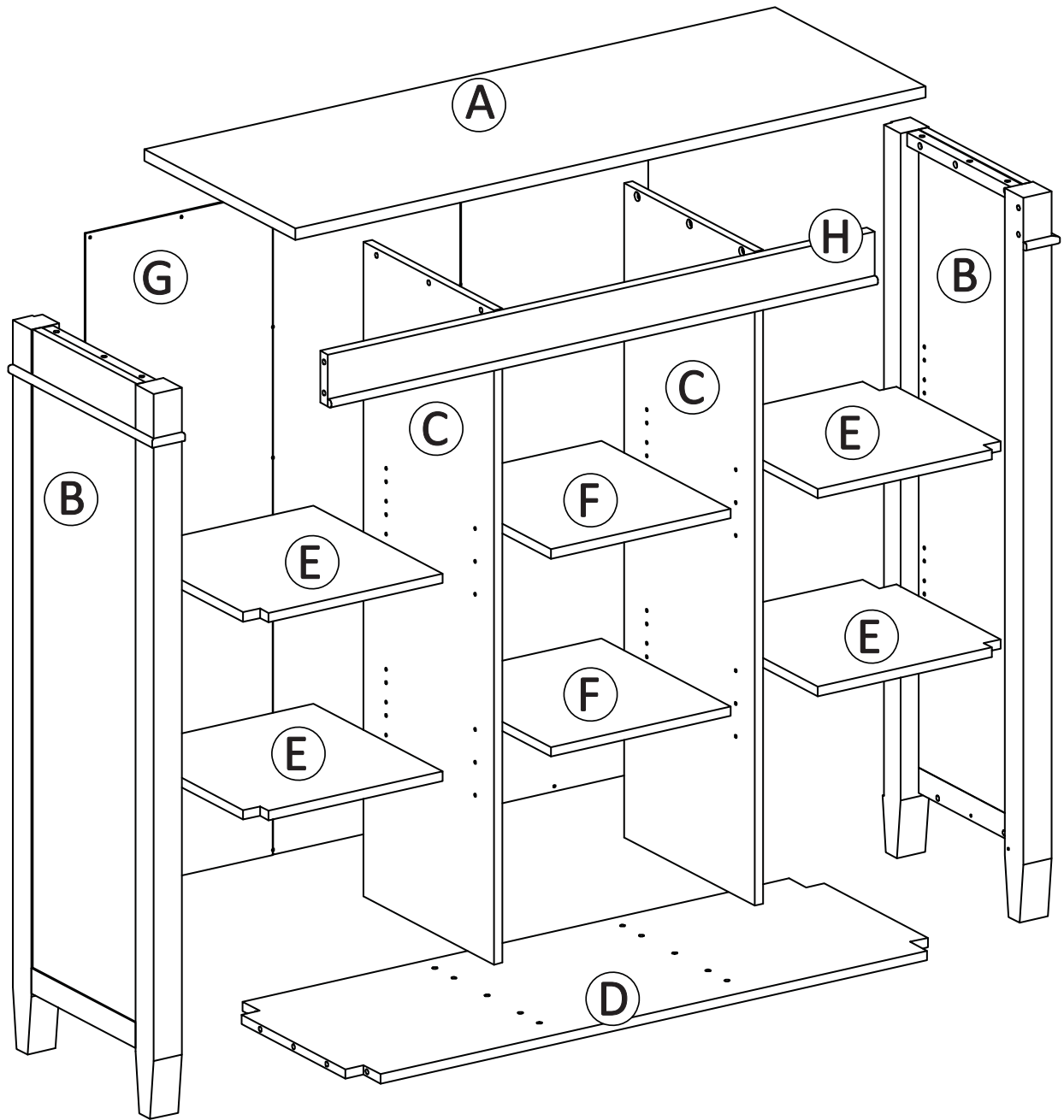


TIPPING RESTRAINT-1 SET

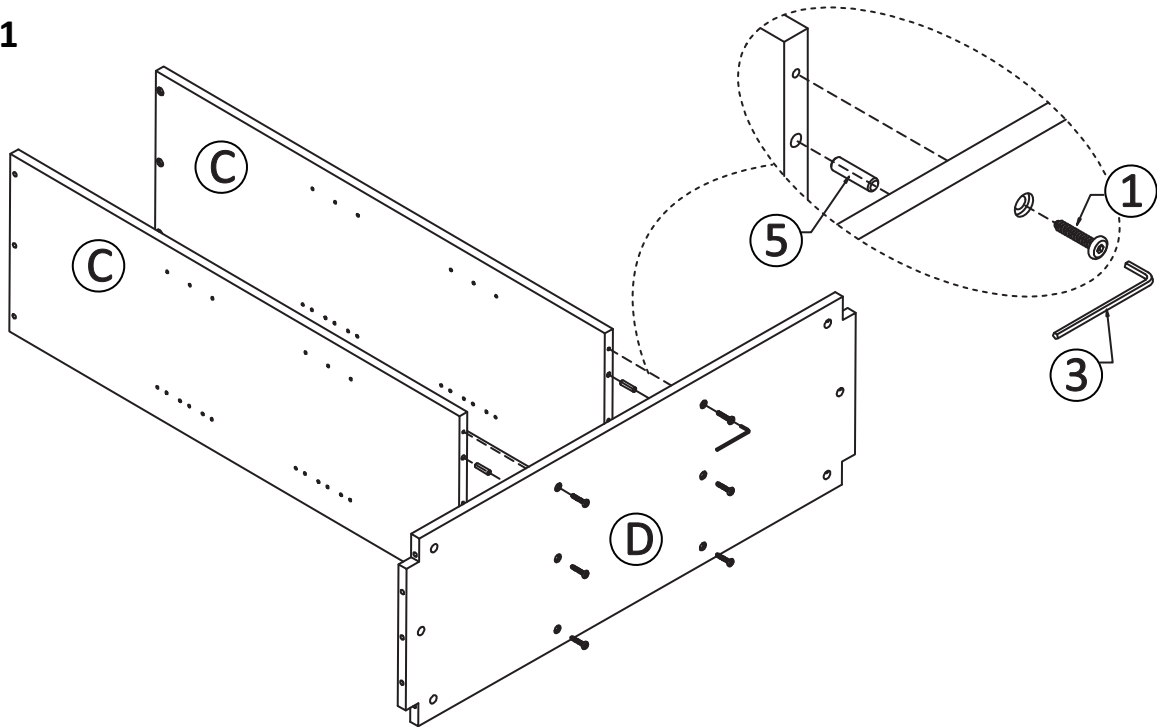


Required -  
Flathead screwdriver  
Phillips screwdriver  
**Not Included**

**NEED HELP?** For help with assembly or if you are missing a part,  
Please call customer service at 1-866-518-0120 ext. 262 (9 am to 5 pm EST)

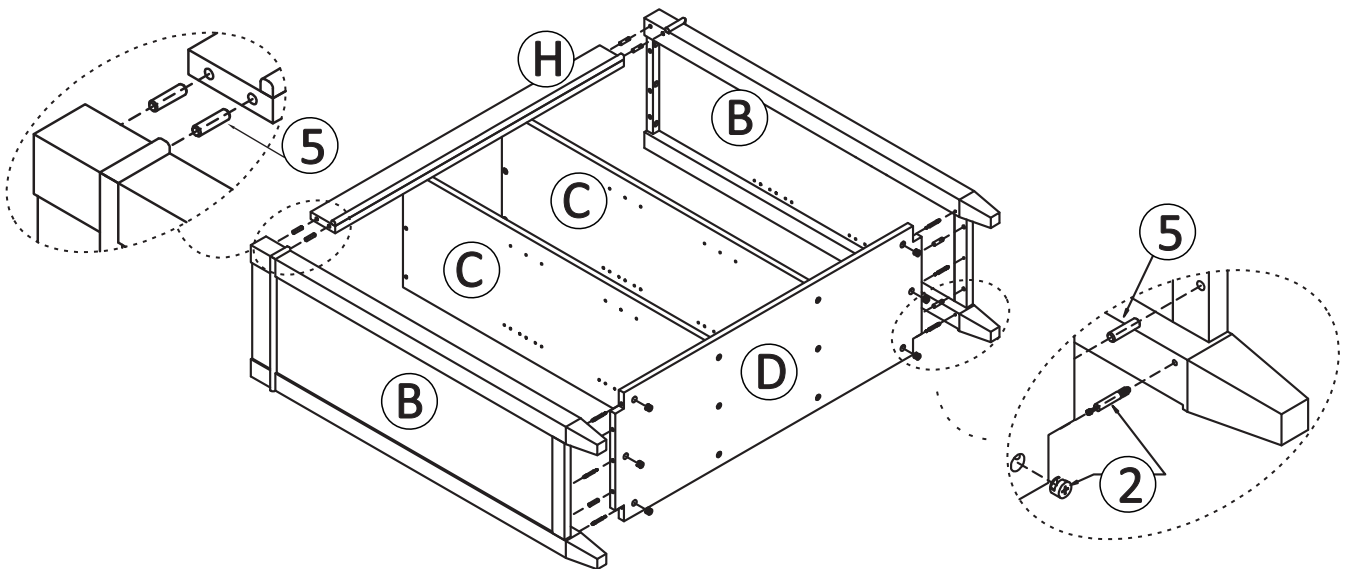


**STEP 1**



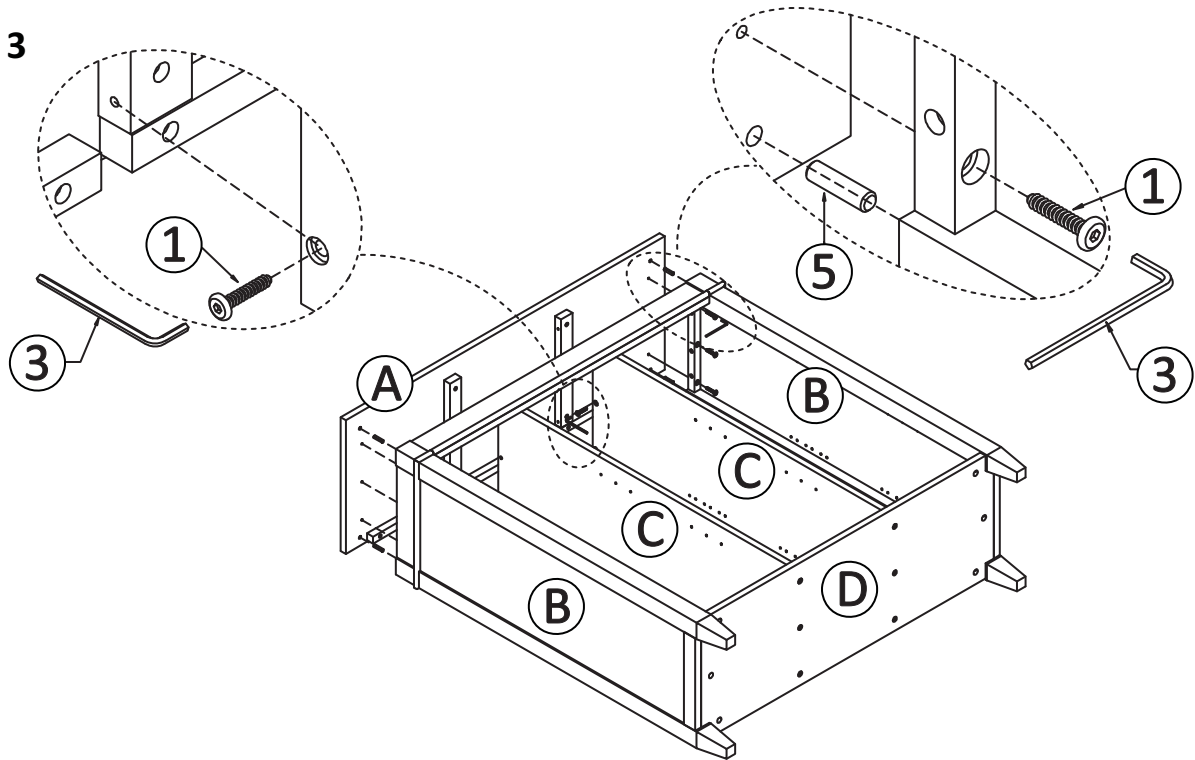
1. Insert Wood Dowels (5) into pre-drilled holes of Divider (C).
2. Attach Dividers (C) to Bottom Shelf (D) using Allen Key Screws (1) through pre-drilled holes.

**STEP 2**



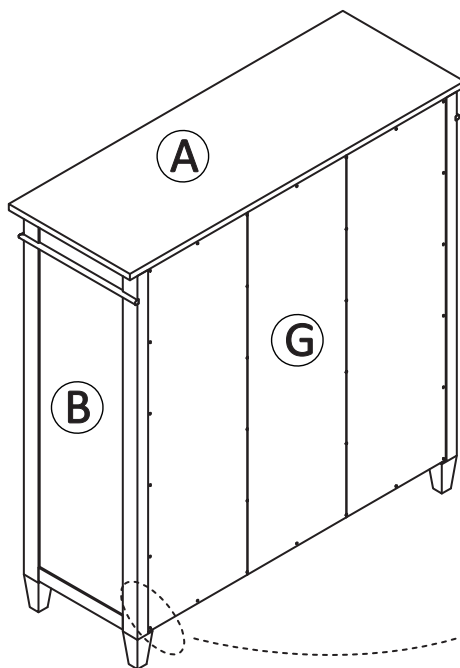
1. Insert Wood Dowels (5) into pre-drilled holes of Bottom Shelf (D) and Front Bar (H).
2. Attach Cam Lock Pins (2) to Sides (B) using guide holes.
3. Align Cam Lock Pins (2) into pre-drilled holes in Bottom Shelf (D).
4. Insert Front Bar (H) (with the Dowels already inserted) into holes on sides (B).
5. Insert Cam Locks (2) into pre-drilled holes in Bottom Shelf (D).
6. Once in place tighten Cam Locks (2) using a flathead screwdriver.

**STEP 3**

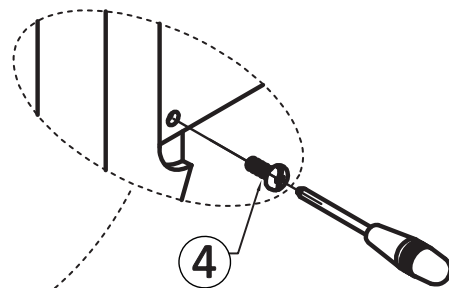


1. Insert 2 Dowels (5) into top corner of each Side (B).
2. Align pre-drilled holes on bottom corner of top (A) with Dowels (5) in Sides (B).
3. Using 12 Allen Key Screws (1) attach Top (A) to Sides (B) and Dividers (C) ( 3 Screws / each part ).

**STEP 4**



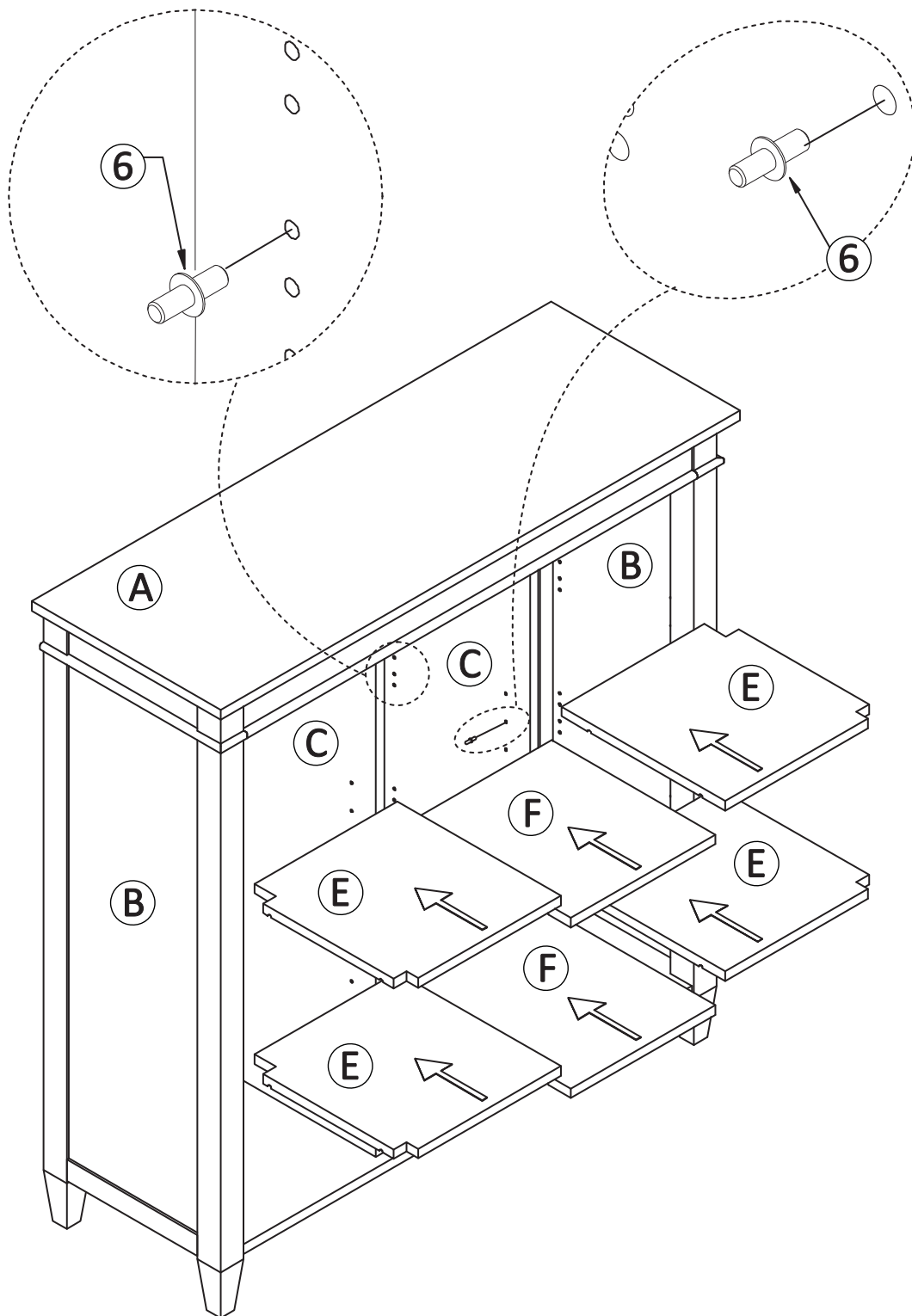
**NOTE:** The screwdriver is not included in the hardware pack.



1. Attach Back Panels (G) to back of cabinet using Phillips Screws Round Head (4) into pre-drilled guide holes.
2. Use Phillips screwdriver to tighten screws.

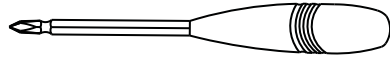


STEP 5

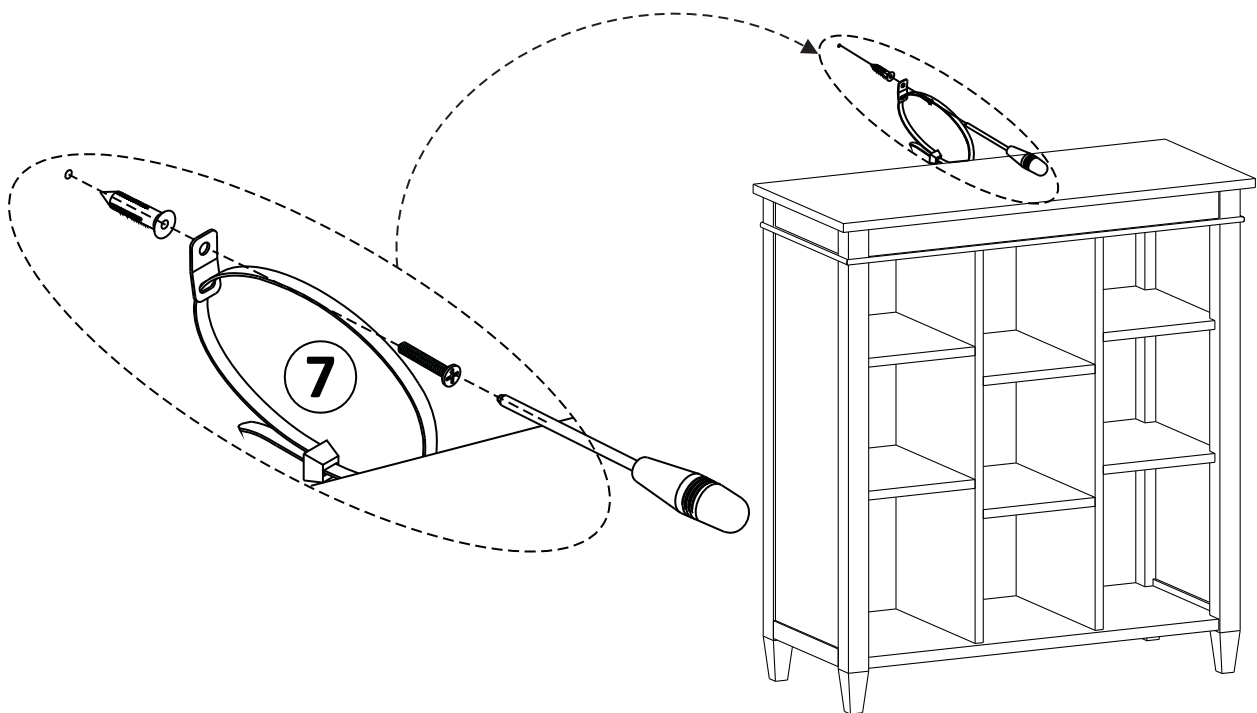
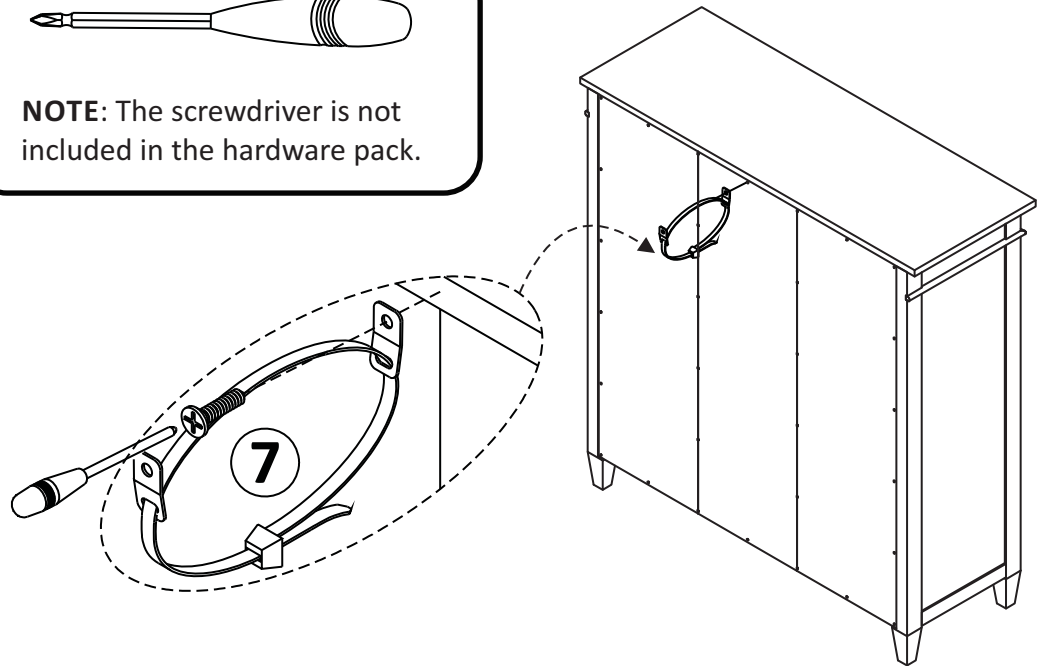


1. Use Shelf Supports (6) for each shelf (E)(F) in desired location.
2. 2 Shelf Supports (6) may be used on back top of each shelf (E)(F) as a tipping restraint.

**NOTE:** Injuries and damage can occur from furniture tip-over. It is important to use the safety bracket included. If the tipping restraint kit is not in the box, please contact our customer service department in order to obtain another kit before using the furniture.

**STEP 6**

**NOTE:** The screwdriver is not included in the hardware pack.



1. To attach Tipping Restraint (7), follow instructions on Tipping Restraint package.

***When you determined the location for your unit, install the Furniture Tipping restraint. Carefully follow the instructions contained on the package.***



## WARRANTY

Thank you for purchasing a **Simpli Home – Wyndenhall – Brooklyn + Max** product. These products have been made to demanding, high-quality standards and are guaranteed for domestic use against manufacturing faults for a period of 12 months from the date of purchase. This warranty does not affect your statutory rights.

In case of any malfunction of your product (failure, missing parts, etc.) please contact us at our toll free service line at 1-866-518-0120 ext. 262 from 9 am to 5 pm, Monday to Friday, Eastern Standard Time or by email at [simpli-home.com/customer-support](mailto:simpli-home.com/customer-support).

We reserve the right to repair or replace the defective product, at its discretion.

This product is guaranteed for 12 months if used for normal purposes. Any warranty is invalid if the product has been overloaded or subject to neglect, improper use or an attempted repair by other than an authorized agent. Heavy-duty or daily professional/commercial usage are not guaranteed.

Due to continuous product improvement, we reserve the right to change the product specifications without prior notice.

**PLEASE NOTE:** This item is hand-crafted and hand-finished with utmost care. As such, variations and imperfections should be expected and should be welcomed as the natural beauty of the wood.



## Question, problems, missing parts?

Before returning please email Customer Support at  
[simpli-home.com/customer-support](mailto:simpli-home.com/customer-support)

or call

Customer Service at 1-866-518-0120 ext. 262  
Monday to Friday between 9 am – 5 pm EST

For more information visit us on our website  
[www.simpli-home.com](http://www.simpli-home.com)

Like us on facebook  
[www.facebook.com/simplihomefurnishings](http://www.facebook.com/simplihomefurnishings)

**SIMPLI**<sup>™</sup>  
**H O M E**

Wyndent Hall<sup>™</sup>  
HOME DECOR  
brooklyn + max<sup>™</sup>

**ENTER  
TO WIN**

**Upload an image of our furniture in your home with a short review to our facebook page and have a chance to**

**Win your choice of any one of  
Simpli Home furniture pieces  
Free!!!**

[www.facebook.com/simplihomefurnishings](http://www.facebook.com/simplihomefurnishings)

(draws monthly – shipping included)

(vanities not included)

