

**SIMPLEHOME™**  
— LIFE BY DESIGN —

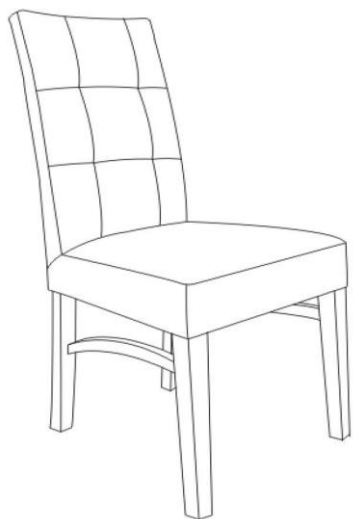
WyndenHall™  
HOME DECOR  
brooklyn + max™

## **EZRA / HAWTHORNE / KENTVILLE**

---

### **EZRA II 7 PC DINING SET**

**MODEL # AXCDS7EZD-SGL**



**SIMPLIHOME™**  
— LIFE BY DESIGN —

*Wynden+Hall™*  
HOME DECOR  
brooklyn + max™



## **Questions, problems, assembly help, missing parts?**

No need to return the product, we will gladly help and ship your replacement parts free of charge

Please call Customer Service at 1-866-518-0120

Monday to Friday between 9 am – 4 pm EST

or go to

[www.simpli-home.com](http://www.simpli-home.com)

To assist you in a timely manner, please ensure you have all necessary information and a picture of the issue if required.

**If you wish to return the product, please contact the retailer where the product was purchased.**

**IMPORTANT:** Please read this manual carefully before beginning assembly of this product. Keep this manual for future reference.

## **SAFETY INFORMATION**

Identify all the parts and hardware. Do not discard of the packaging until you have checked that you have all of the parts and hardware required. Hardware package may have spare parts.

**WARNING:** This item contains small parts which can be swallowed by children and pets. Keep children and pets away during assembly. To avoid danger of suffocation, always keep plastic bags away from children and pets.

We recommend that you assemble this unit on a carpeted floor to avoid scratches. If using power tools, set the tool to low torque to avoid damage.

**Requires 2 people for ease of assembly.**

## **CARE and MAINTENANCE**

Wipe regularly with clean water and a damp, clean, soft white cloth. General cleaning can be done as needed with a mild detergent and water solution. Always rinse with clean water and dry.

For heavy soiling, dampen a soft white cloth or soft bristle brush. Use care as scrubbing can damage the surface.

More difficult stains can be treated, but this should be occasional, not daily, cleaning. ANY cleaning solution used must be removed with clean water and a clean white cloth. Cleaning residue left on the material can cause it to dry out and crack or affect the color.

DO NOT use any cleaners with corrosive ingredients (lye, acids or ammonia).

## CARE and MAINTENANCE ...cont'd

Perhaps the greatest environmental damage to wood furniture comes from wide swings in relative humidity (RH) in our homes. Wood absorbs and desorbs water as relative humidity rises and falls, and in doing so it swells and shrinks. Making matters worse, it expands and contracts unequally along different grain directions. As humidity changes, the components of wooden objects are continually pushing and pulling against each other. This pressure often results in parts of furniture no longer fitting together closely or becoming distorted or breaking from their own internal stresses.

The response to relative humidity changes begins with determining the annual average RH for your particular space. Then try to keep the RH in the space where your furniture is as close to that average as possible, generally within about 10% up or down. De-humidify in the summer and humidify in the winter.

Be aware that raising the temperature lowers the humidity and vice versa. Thus, modern heating systems, which can drive down interior RH in the winter, almost invariably cause problems for furniture. To counteract their effect, you can either modify the RH by keeping furniture containing spaces cooler in the winter or most importantly, have a good working humidifier for your home. A humidistat automatically works to balance the humidity in your home so it is constant. Dry indoor air can suck enough moisture from its surroundings to do permanent damage to wood, causing it to crack or split.

Remember, that not all woods are created equal. Two factors that help determine how rapidly a wood will lose moisture are pore size and surface hardness. A piece made from a dense and hard wood will dry less rapidly than pieces made from softer woods.

Furniture that is sealed and lacquered will lose moisture more slowly than an unfinished piece while pieces with veneer finishes are not only stronger but lose moisture more slowly than other finishes.

### **To help protect your wood furniture, take these steps:**

- Use a humidifier, preferably one with an automatic control system that can sense the humidity level and adjust itself accordingly. Don't over-humidify; that can damage wood by causing it to expand and contract.
- Keep furniture out of direct sunlight, which can cause it to dry out, crack and warp.
- If you can avoid it, don't put furniture near heating vents. If you must, keep the piece 3 to 4 inches away from the wall, giving the heat and air space to circulate.
- Dust with soft dry cloth.
- Do not use liquid or aerosol products.
- To avoid marking, do not place rubber on surface (foot pads, etc.)
- For soil build-up, wipe with damp cloth & dry.
- Do not use abrasive cleaners.

**SIMPLEHOME™**  
— LIFE BY DESIGN —

WyndenHall™  
HOME DECOR  
brooklyn + max™

**DRAPER / BAXTER / TIERNEY**

---

**MID CENTURY DINING TABLE**

MODEL # AXCDRPDT

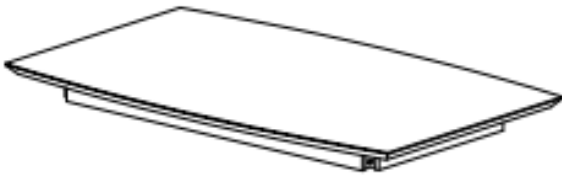


PRE-ASSEMBLY INFORMATION

MODEL # AXCDRPDT

PART DESCRIPTION

A



TOP  
QTY 1

B



LEG (L&R Same)  
QTY 2

C



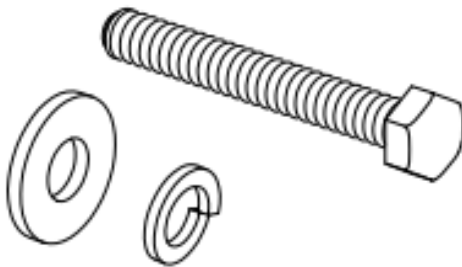
LEG (L&R Same)  
QTY 2

PRE-ASSEMBLY INFORMATION

MODEL # AXCDRPDT

HARDWARE DESCRIPTION

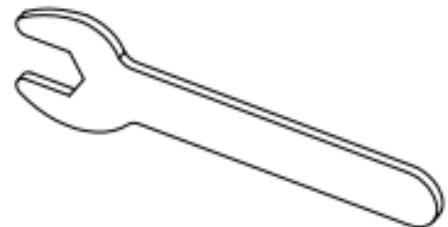
1



BOLT: M8 X 60mm - QTY 8  
LOCK WASHER:  $\varnothing 12 / \varnothing 8 \times 1.5$ mm - QTY 8  
WASHER:  $\varnothing 19 / \varnothing 8 \times 1$ mm - QTY 8

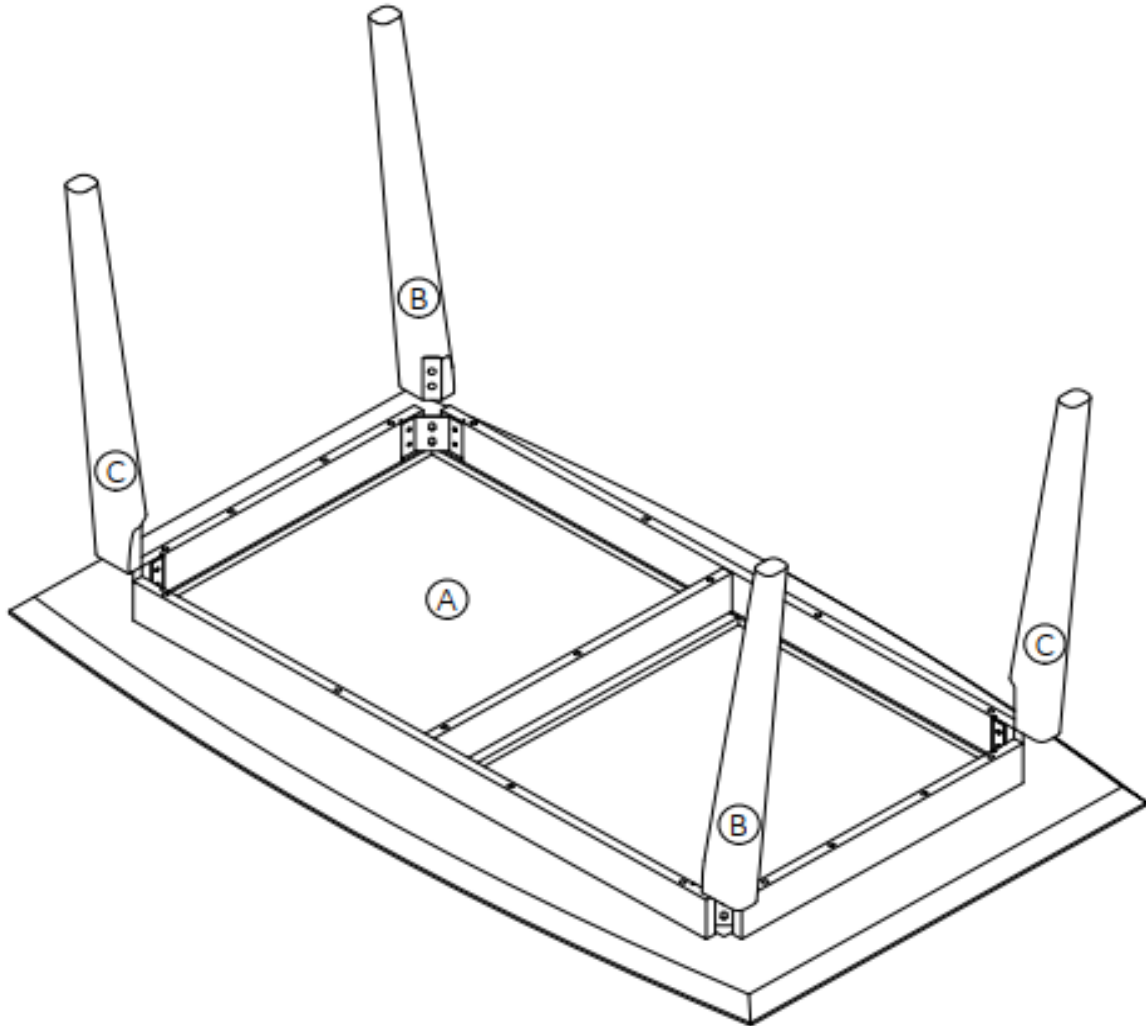
QTY 8 SETS

2

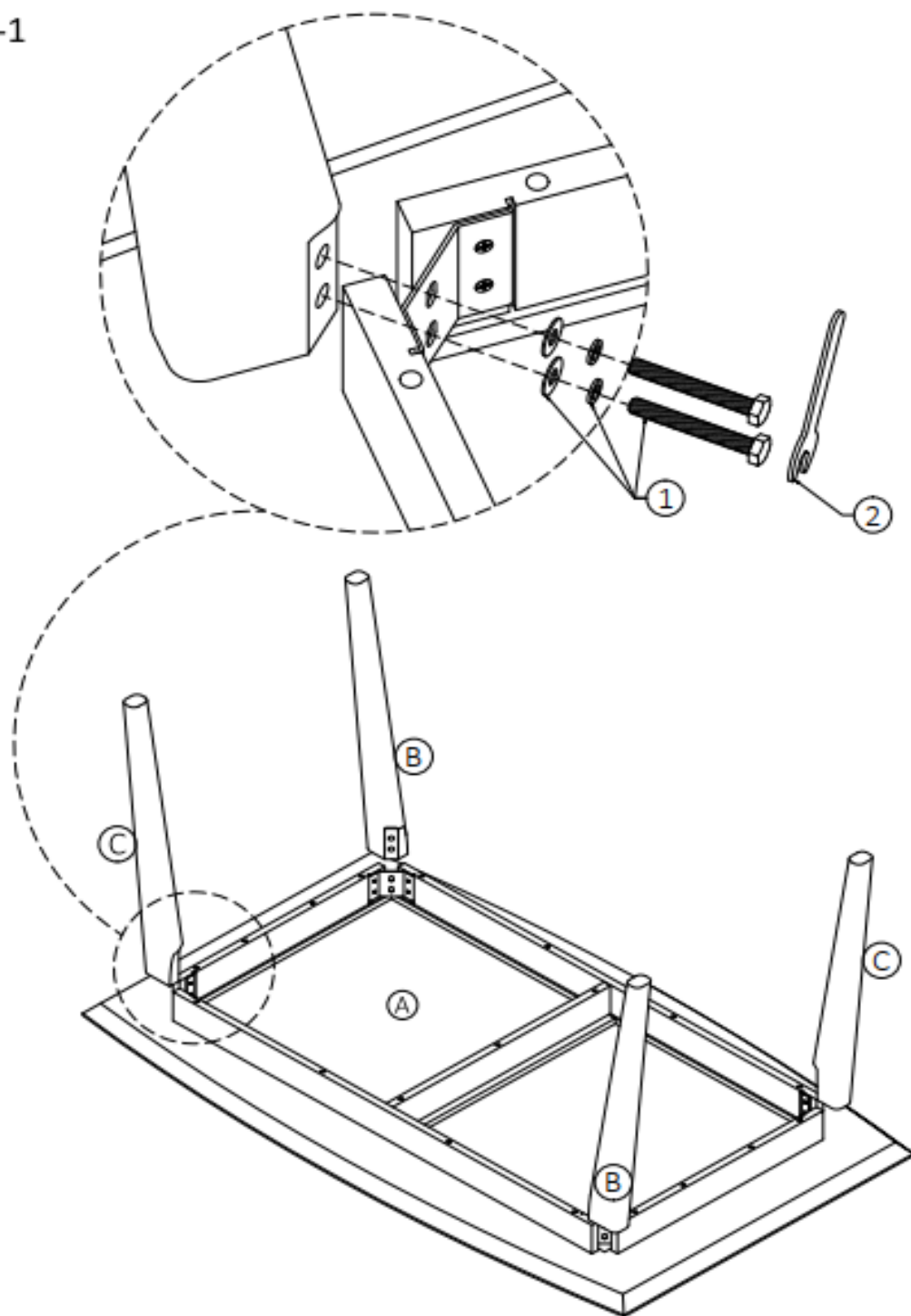


SPANNER  
QTY 1

**NEED HELP?** For help with assembly or if you are missing a part,  
Please call customer service at 1-866-518-0120 (9 am to 4 pm EST)



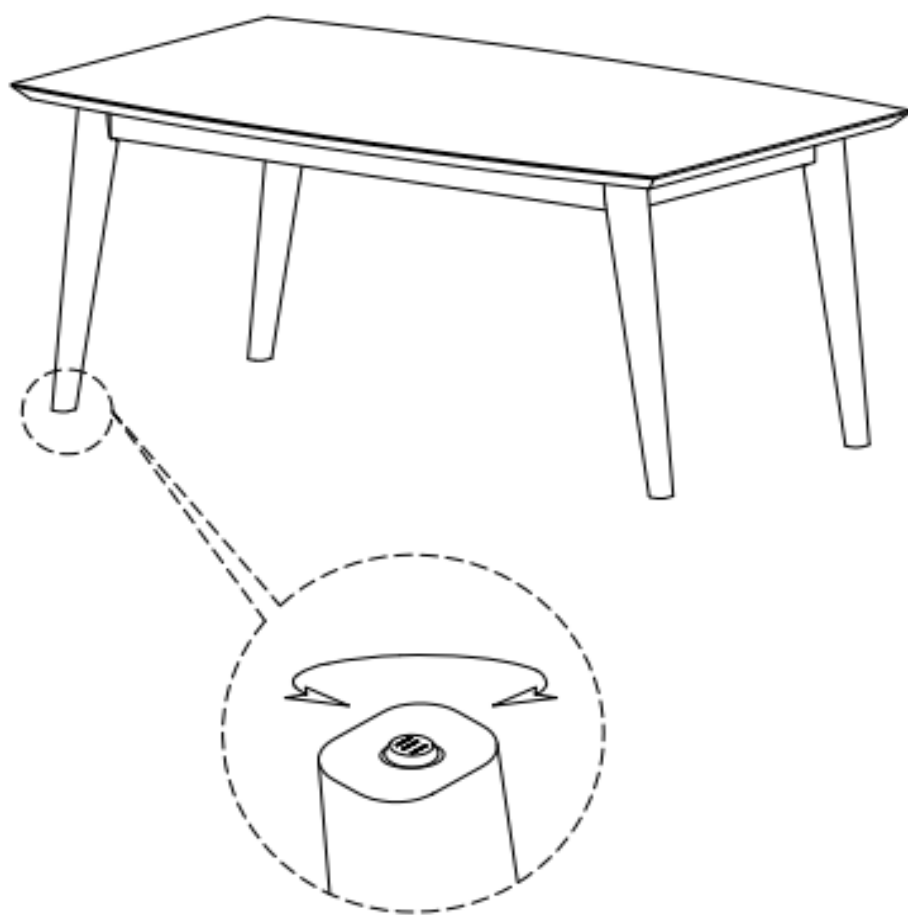
## STEP-1



1. Attach Legs (B), (C) to Top (A).
2. Use 8 sets Bolts, Lock Washers and Washers (1) to secure part (A) and (B), (C) ( 2 sets on each Leg ).
3. Use Spanner (2) to tighten Bolts. Do not over-tighten.



## STEP-2



Note: Levelers on bottom of legs can be adjusted if floor is uneven.

**SIMPLEHOME™**  
— LIFE BY DESIGN —

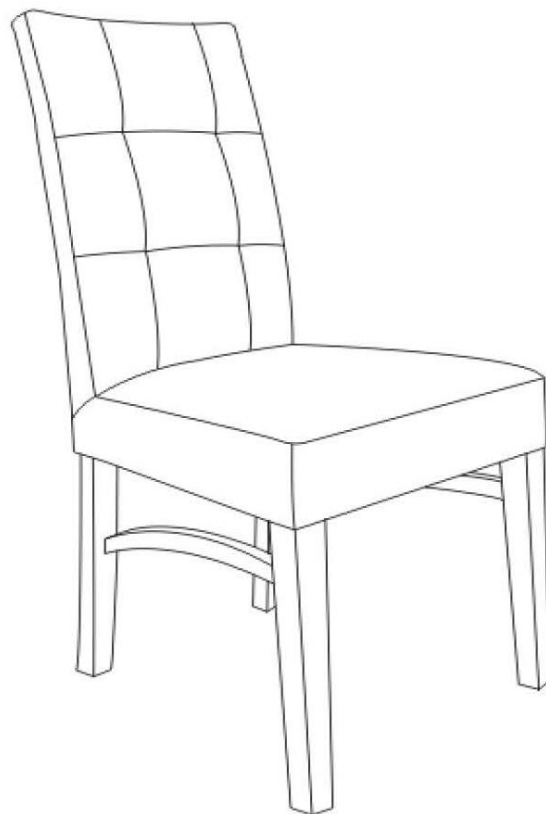
*Wynden+Hall™*  
HOME DECOR  
brooklyn + max™ 

**EZRA / HAWTHORNE / KENTVILLE**

---

**DINING CHAIR**

**MODEL # AXCDCHR-003-SGL**



**PARTS DESCRIPTION**

**A**



**CHAIR BACK**  
QTY 1

**B**



**SEAT**  
QTY 1

**C**



**LEFT STRETCHER**  
QTY 1

**D**



**RIGHT STRETCHER**  
QTY 1

**E**



**LEFT FRONT LEG**  
QTY 1

**F**

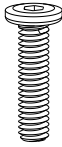


**RIGHT FRONT LEG**  
QTY 1

**NEED HELP?** For help with assembly or if you are missing a part,  
Please call customer service at 1-866-518-0120 (9 am to 4 pm EST)

**HARDWARE DESCRIPTION**

**1**



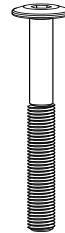
ALLEN KEY SCREW  
M8 x 45 MM  
QTY 1

**2**



ALLEN KEY SCREW  
M8 x 60 MM  
QTY 4

**3**



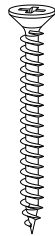
ALLEN KEY SCREW  
M8 x 90 MM  
QTY 4

**4**



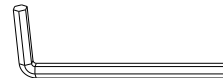
FLAT WASHER  
Ø22 MM  
QTY 9

**5**



SELF-TAPPING SCREW  
Ø3.5 X 40 MM  
QTY 4

**6**



ALLEN KEY  
5 MM  
QTY 1

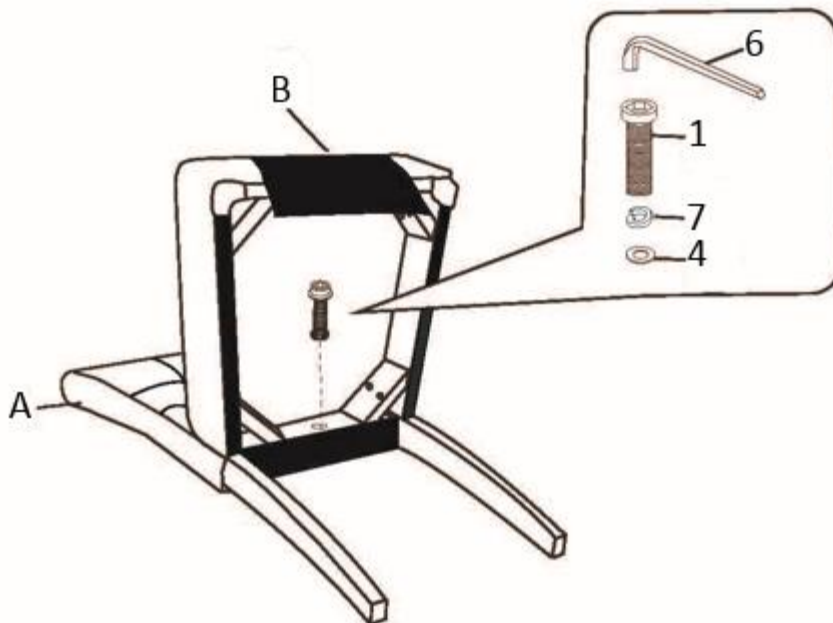
**7**



LOCK WASHER  
Ø13 MM  
QTY 9

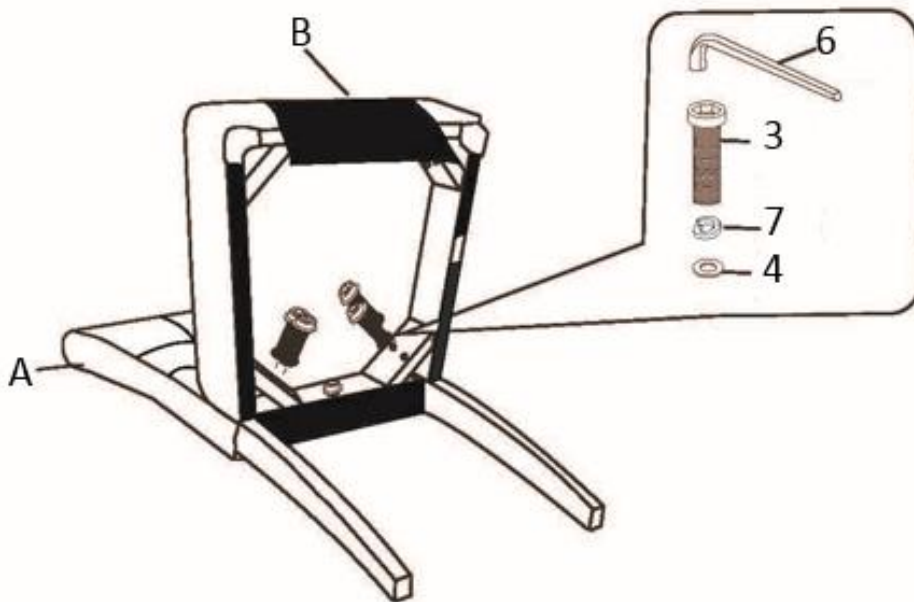
**NEED HELP?** For help with assembly or if you are missing a part,  
Please call customer service at 1-866-518-0120 (9 am to 4 pm EST)

## STEP 1



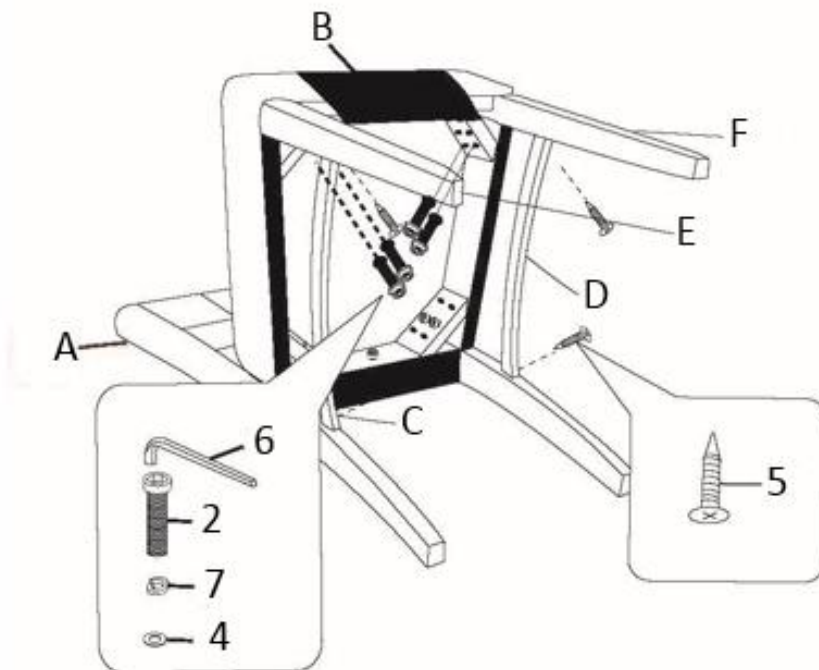
Align Seat (B) into pre-drilled holes on Chair Back (A).  
Attach Seat (B) to Chair Back (A) using Allen Key Screw (1)  
and one Washer each of (4) and (7).  
Use Allen Key (6) tighten. Do not over-tighten.

## STEP 2



Attach Seat (B) to Chair Back (A) using Allen Key Screws (3) and four Washers each of (4) and (7).  
Use Allen Key (6) tighten. Do not over-tighten.

## STEP 3



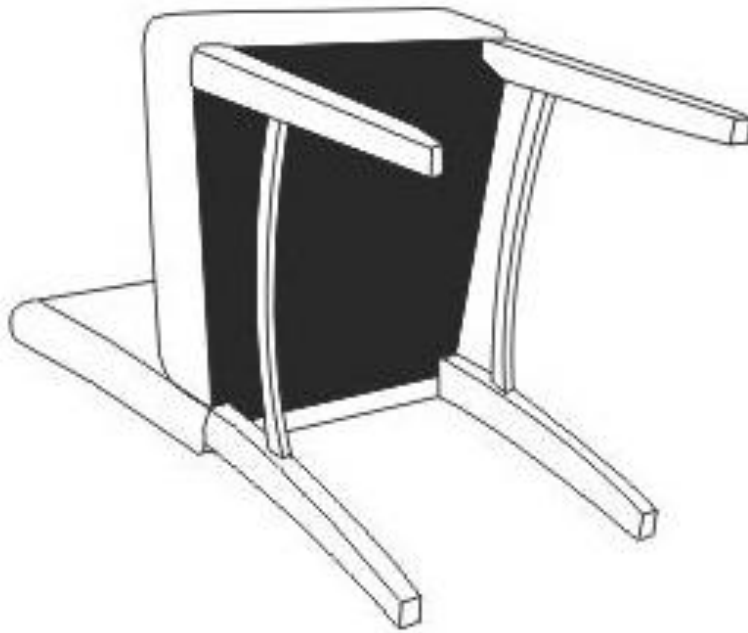
Attach Front Legs (E & F) using Allen Key Screws (2) and four Washers each of (4) and (7).

Use Allen Key (6) tighten. Do not over-tighten.

Align the Stretchers (C & D) into Chair Back (A) and Front Legs (E & F) with Self-Tapping Screws (5).

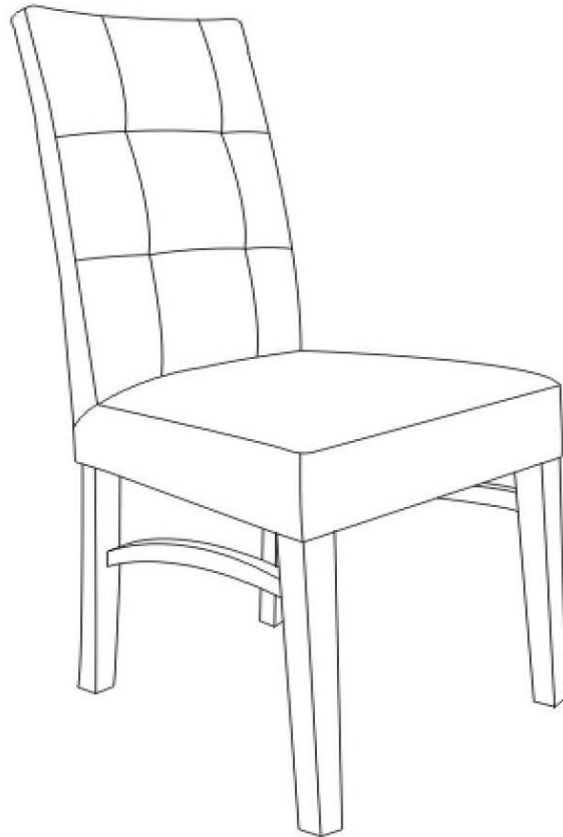
Fully tighten Self-Tapping Screws (5).

**STEP 4**



Use the zipper to close the fabric on the bottom of the Chair.



**STEP 5**

Place Chair on a flat level surface to ensure it is level.  
If it is uneven, adjust either the Seat (B) or Front Legs (E) and (F).  
Ensure the Chair is level and then fully tighten all bolts.



## WARRANTY

Thank you for purchasing a **Simpli Home – Wyndenhall – Brooklyn + Max** product. These products have been made to demanding, high-quality standards and are guaranteed for domestic use against manufacturing faults for a period of 12 months from the date of purchase. This warranty does not affect your statutory rights.

In case of any malfunction of your product (failure, missing parts, etc.) please contact us at our toll-free service line at 1-866-518-0120 from 9 am to 4 pm Monday to Friday Eastern Standard Time or visit our website at [www.simpli-home.com](http://www.simpli-home.com) to submit a parts request.

We reserve the right to repair or replace the defective product, at our discretion.

This product is guaranteed for 12 months if used for normal purposes. Any warranty is invalid if the product has been overloaded or subject to neglect, improper use or an attempted repair by other than an authorized agent. Heavy-duty or daily professional/commercial usage are not guaranteed.

Due to continuous product improvement, we reserve the right to change the product specifications without prior notice.