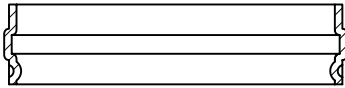
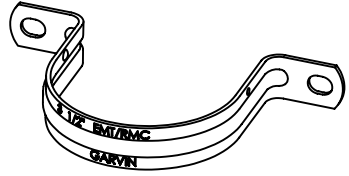
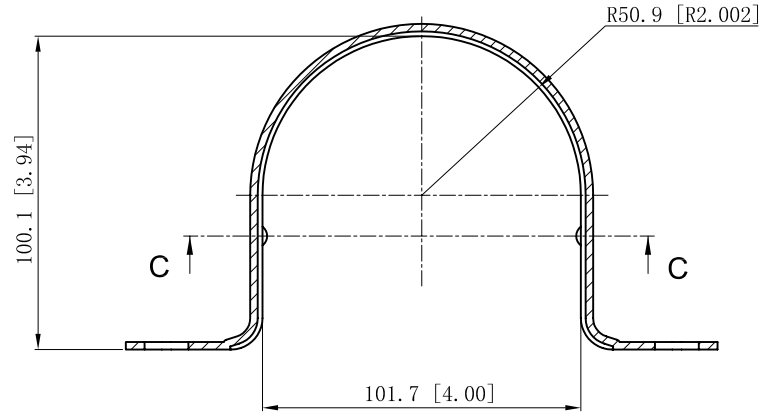


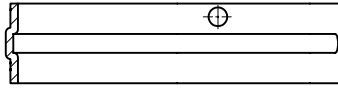
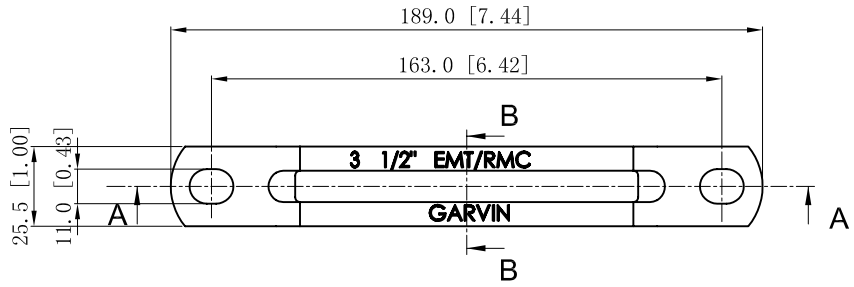
SIDES	BOTTOM
Material: Steel-(0.091"-0.098")-C. R. S Zinc Plated	



CUTAWAY VIEW C-C



CUTAWAY VIEW A-A



CUTAWAY VIEW B-B

This data sheet is for reference only .GARVIN INDUSTRIES reserves the right to make changes to the design without prior notice.

DESCRIPTION
TRADE REFERENCE TERMS

STANDARD PACKING
10 PCS

GARVIN INDUSTRIES		
TWO-HOLE STRAPS		
SIZE A4	DWG NO. THS-350	REV
DATA SHEET		