

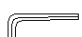


HOOKER[®]

— FURNITURE —

ASSEMBLY INSTRUCTION

Item#: 5805-75213T-80 48in Round Dining Table Top
 5805-75203T-80 60in Round Dining Table Top
 5805-75203B-99 Round Dining Table Base

**** Please make sure you have all parts indicated below prior to assembly.
 This table is heavy and can best be assembled with the help of two or more people**

NO.	HARDWARE LIST		Q'TY
A		ALLEN WRENCH	1
B		ALLEN BOLT	4
C		LOCK WASHER	4
D		FLAT WASHER	4

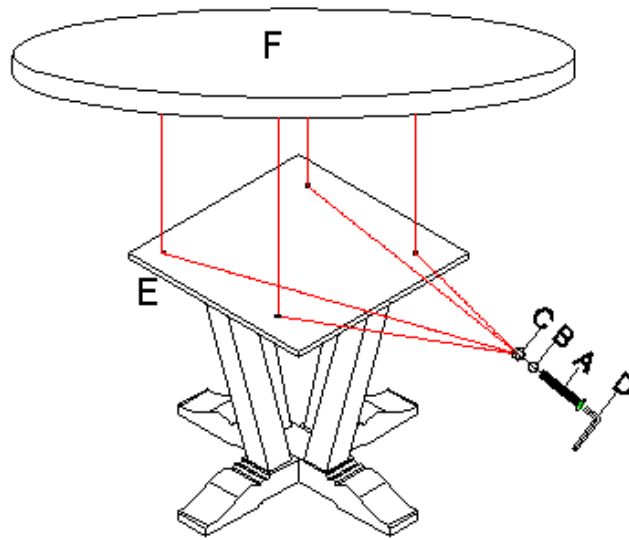
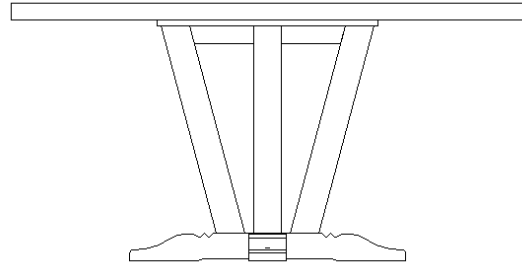


Diagram 1

Assembly steps :

1. Well place the top (F) onto Mounting bridge (E) of the base by using bolts (B), lock washers (C) and flat washers (D), tighten all with allen wrench (A) (See Diagram 1).

Cleaning Instruction: Clean finished parts with a damp cloth using a mild dishwashing liquid and water solution. Polish the finish with soft cloth and an industry recognized furniture polish.