

I N T R O D U C T I O N

Welcome to our family of ready-to-build backyard play equipment. Jack & June playsets are designed with ease of assembly in mind and we provide these step-by-step installation instructions.

After reading the information below, locate your structure site and carefully unpack parts. As you unpack your playset, keep the parts identification sheet handy and become familiar with each part before beginning assembly. **Remember that a little extra time spent familiarizing yourself with the parts and instructions before you begin will help you avoid mistakes and save you time later.**

Choosing A Location For Your Playset

When selecting your structure site, always keep the child's safety in mind. Here are some recommendations to help you create a safe play area.

A. The playset should be located on level ground. The stationary components such as ladders and slides are **REQUIRED** to be a minimum of six feet from any structure or obstruction such as a fence, garage, house, tree or overhanging branches, electrical wires or clotheslines. Any swinging equipment is also **REQUIRED** to be a minimum distance twice the height of the swing beam away from these obstructions or structures as well. We also recommend that you do not install your playset near a lake, river, swimming pool or other water hazard.

B. The U.S. Consumer Product Safety Commission (CPSC) recommends that you install and maintain a resilient surface under your play equipment. The CPSC's Consumer Information Sheet for Playground Surfacing Materials at the end of this manual. A resilient surface, should be installed after the equipment has been completely assembled according to these instructions. The equipment must rest on solid ground. Please note that this product has a maximum fall height of 8'.

Do not install home playground equipment indoors, or over concrete, asphalt, packed earth, grass, carpet or any other hard surface. A fall onto a hard surface can result in serious or fatal injury.

Responsible on-site adult supervision is one of the most important contributions to children's safety that you can make. Jack & June strongly recommends on-site adult supervision of children of all ages. Safe swinging and climbing skills need to be taught to children, just like any other physical activity.

The weight limit for any single user on Jack & June play equipment is 150 pounds. Limit the number of users to one on each swing. The tower portion of the play system will accommodate four (4) additional users.

When the time comes to disassemble and dispose of the play equipment, do so in such a way that no hazards will exist at the time the equipment is discarded.

Maintaining Your Playset

Here are some maintenance tips required to insure safe enjoyment of your equipment for years to come.

A. At the beginning of each usage season and every two weeks during, check: nuts and bolts and tighten as needed, swing seats, chains, ladders, slides, rope and wood components for signs of deterioration and replace if necessary.

B. On a yearly basis, we recommend that you coat your playset with a sealant or preservative. You may also want to spot sand any areas prior to sealing. Be sure that the sealant you select is non-toxic and child safe.

C. Do not use line trimmers or "weed eaters" around your play equipment. The line will remove both stain and wood from uprights and base pieces. Any damage resulting from this type of abuse is not covered under our limited warranty.

D. Remove plastic swing seats and take indoors or do not use when the temperature drops below 0° F.

If you have any questions about your playset, or are in need of replacement parts, call 1-800-GO-SWING.
Please keep these instructions for future reference.

S A F E T Y I N S T R U C T I O N S

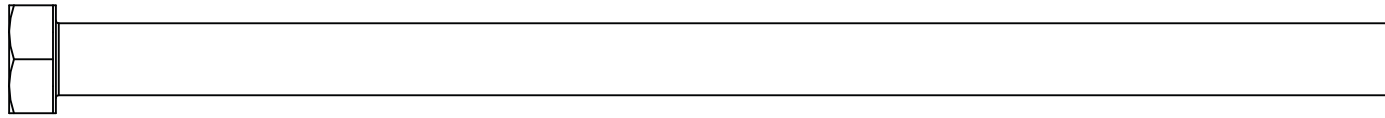
Teach Children:

- Not to walk close to, in front of, behind, or between moving items.
- Not to twist the swing ropes, or loop them over the top support bar, since this may reduce the strength of the rope.
- Not to swing empty swing seats.
- Not to swing sideways into the path of adjacent swings.
- Not to use the equipment in a manner other than that for which it is intended.
- Not to get off the equipment while it is in motion.
- Not to jump off the tower.
- Not to climb or swing when they are wet or when the equipment is wet.
- To sit in the center of the swings with their full weight on the seats.
- To hold on to swings and climbers with both hands.
- Not to stand in the swing seats.
- Not to ride or leave bicycles or other toys in the swing area.
- Not to use hammers, saws, nails, or wrenches on the equipment.
- Not to swing so high that chains become slack, or above the height of the swing support.
- Not to jump on a slide.
- Not to climb on top of the swing support.
- Not to attach to the playground equipment any item that is not specifically designed for use with the equipment, such as (but not limited to) jump ropes, clotheslines, pet leashes, cables, and chains. These may become strangulation hazards.
- To slide feet first, never head first.
- To watch for other children while swinging or playing near the equipment.

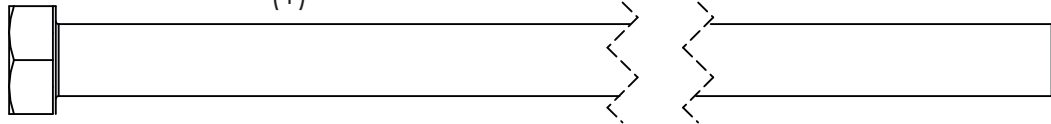
In Addition, Adults Must:

- Limit climbing and swinging heights to each child's ability.
- Verify that suspended climbing ropes are secured at both ends.
- Verify that suspended climbing ropes cannot be looped back on themselves.
- Dress children appropriately for play. Use well-fitting shoes that do not have slippery soles.
- Avoid ponchos, scarves, hoods, loose-fitting clothing, neckties, and any clothing with a drawstring. Serious injury could result should any part of the children's clothing become entangled in the equipment.
- Do not allow children to play wearing helmets.
- Remember that children are inventive. When they develop games that are unsafe, be alert and change the rules.

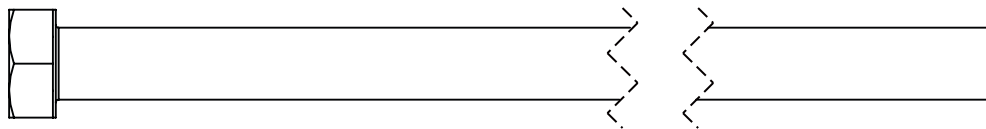
HARDWARE IDENTIFIER



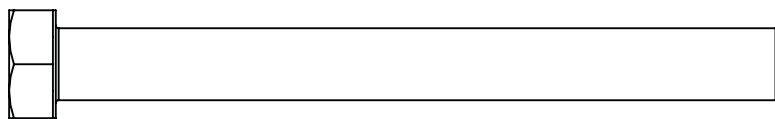
H1 3/8" x 7" HEX BOLT
PG-HW-B012
(1)



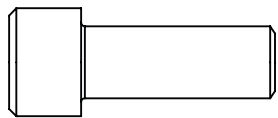
H2 3/8" x 6-1/2" HEX BOLT
PG-HW-B001
(2)



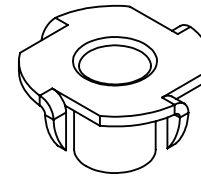
H3 3/8" x 5-3/4" HEX BOLT
PG-HW-B024
(10)



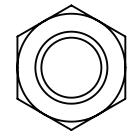
H4 3/8" x 3-3/4" HEX BOLT
PG-HW-B025
(1)



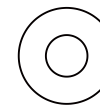
H5 3/8" x 1" SOCKET HEAD SCREW
PG-HW-B008
(7)



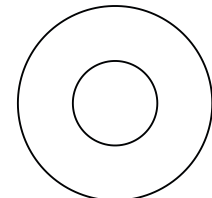
H6 3/8"-16 x 1/2" T-NUT
PG-HW-N002
(7)



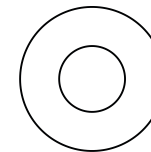
H7 3/8" NYLON LOCKNUT
PG-HW-N001
(14)



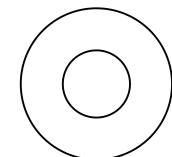
H8 #10 FLAT WASHER
PG-HW-W001
(19)



H9 3/8" FLAT WASHER
PG-HW-W004
(29)

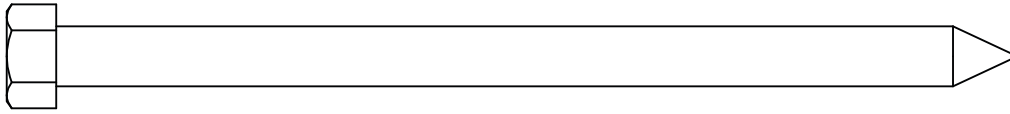


H10 1/4" FLAT WASHER
PG-HW-W002
(22)



H11 5/16" FLAT WASHER
PG-HW-W003
(54)

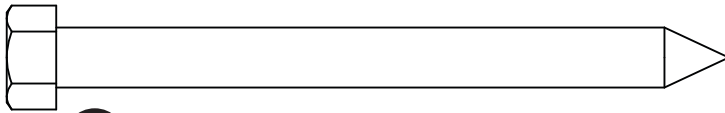
HARDWARE IDENTIFIER



H12

5/16" x 5" HEX LAG SCREW
PG-HW-L018

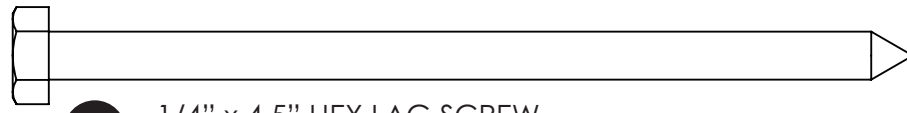
(1)



H13

5/16" x 3.5" HEX LAG SCREW
PG-HW-L020

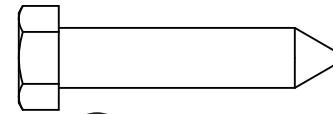
(8)



H14

1/4" x 4.5" HEX LAG SCREW
PG-HW-L002

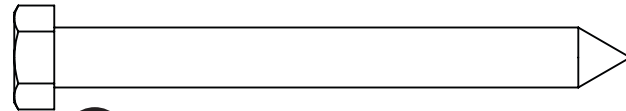
(22)



H27

5/16" x 1.5" HEX LAG SCREW
PG-HW-L021

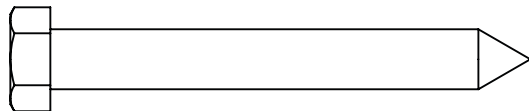
(30)



H15

5/16" x 3" HEX LAG SCREW
PG-HW-L004

(6)

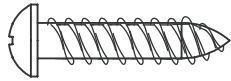


H17

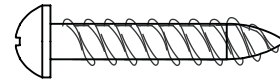
5/16" x 2.5" HEX LAG SCREW
PG-HW-L003

(39)

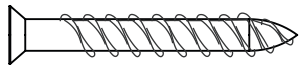
HARDWARE IDENTIFIER



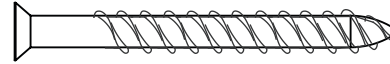
H18 #10 x 1" ROUND HEAD SCREW
PG-HW-S001
(4)



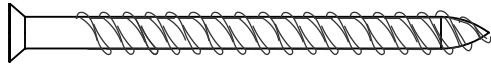
H19 #10 x 1.25" ROUND HEAD SCREW
PG-HW-S002
(29)



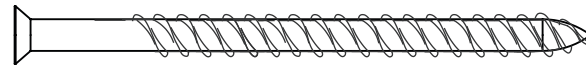
H20 #8 x 1.5" FLAT HEAD WOOD SCREW
PG-HW-S003
(84)



H21 #8 x 2" FLAT HEAD WOOD SCREW
PG-HW-S004
(140)

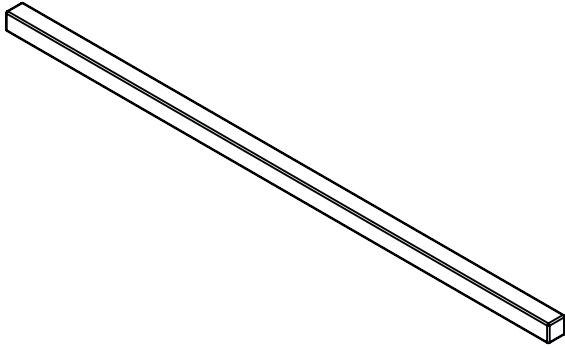


H22 #8 X 2" 1/2 PH FLAT HD WDSCRW
PG-HW-S009
(12)

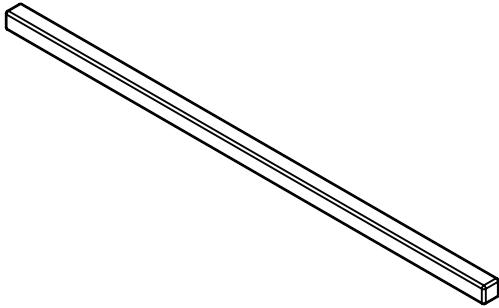


H23 #8 x 3" FLAT HEAD WOOD SCREW
PG-HW-S005
(22)

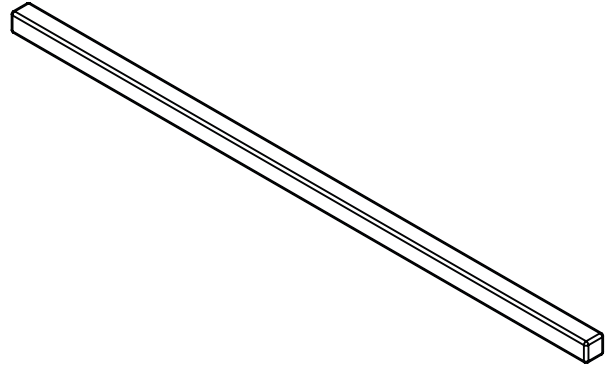
PARTS LIST (NOT ACTUAL SIZE)



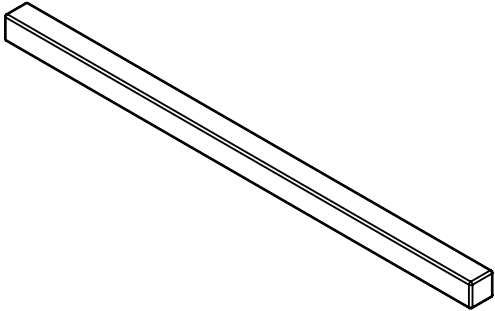
1 94" DECK POST
PG-44-0077
(1)



2 89.5" DECK POST
PG-44-0078
(2)



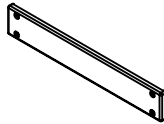
3 96" DECK POST
PG-44-0079
(4)



4 83.5" DECK POST
PG-44-0080
(1)

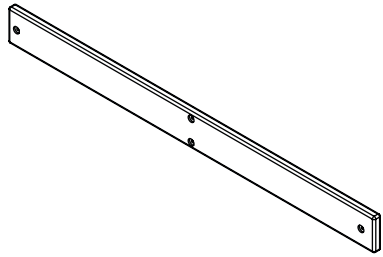


5 SHORT LOWER HORIZONTAL
SUPPORT (1 HOLE)
PG-14-0043
(1)

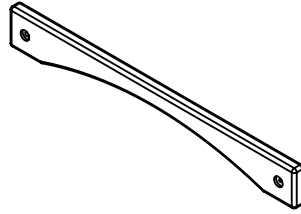


6 SHORT LOWER HORIZONTAL
SUPPORT (2 HOLE)
PG-14-0042
(1)

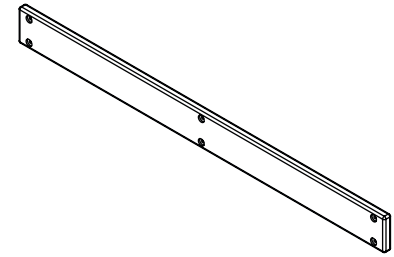
PARTS LIST (NOT ACTUAL SIZE)



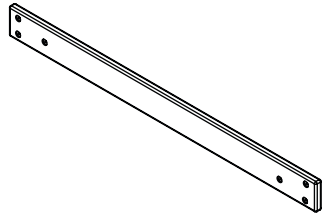
7 LOWER HORIZONTAL SUPPORT
(1 HOLE)
PG-14-0023
(2)



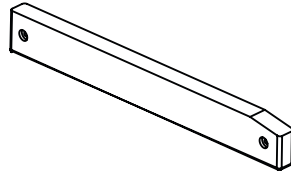
8 HORIZONTAL POST BRACE
(ONE HOLE)
PG-14-0024
(3)



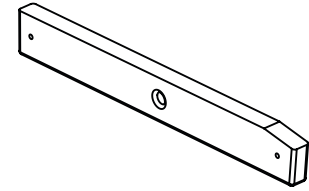
9 LOWER HORIZONTAL SUPPORT
(2 HOLE)
PG-14-0022
(1)



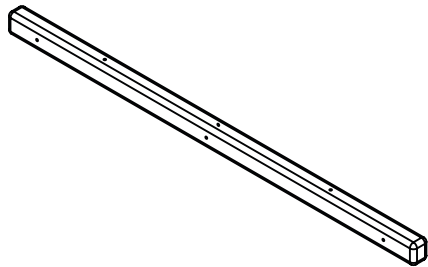
11 DECK END
PG-14-0026
(4)



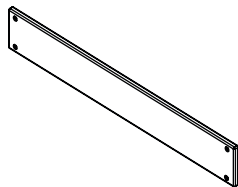
12 RAFTER
PG-14-0027
(1)



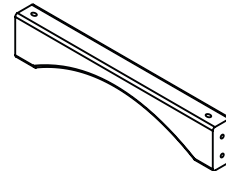
13 RAFTER
(W/ROPE HOLE)
PG-14-0028
(1)



14 PANEL SUPPORT
PG-12-0001
(10)



15 DECK STEP
PG-14-0029
(5)



16 DECK SUPPORT
PG-24-0068
(11)

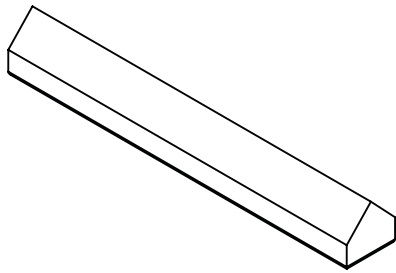


17 Assembly Aid Board
(2)

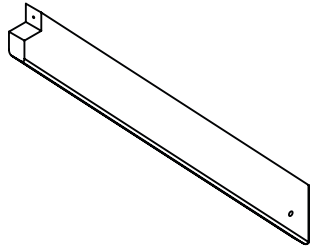
TIPS:

To help you assemble Deck Support (#16) to Deck Posts, and other assemblies.

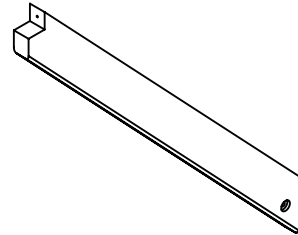
PARTS LIST (NOT ACTUAL SIZE)



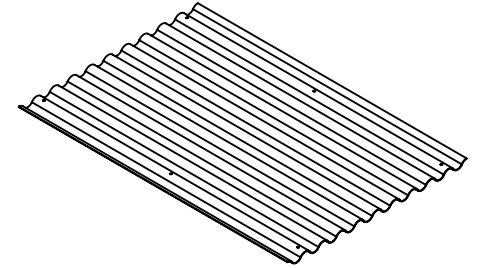
18 ROOF CAP
PG-44-0083
(1)



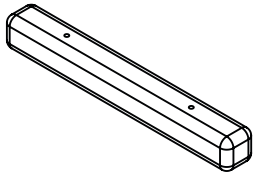
19 UPPER ROOF RAFTER RIGHT
PG-24-0069
(2)



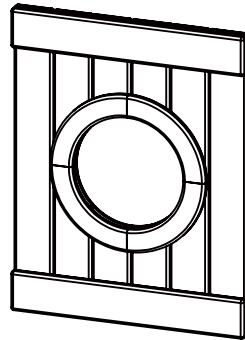
20 UPPER ROOF RAFTER LEFT
PG-24-0070
(2)



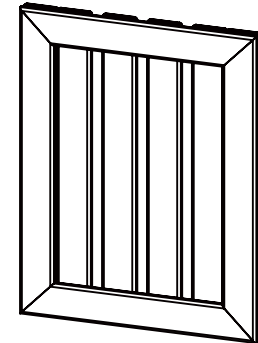
22 UPPER ROOF
PG-AC-0038
(2)



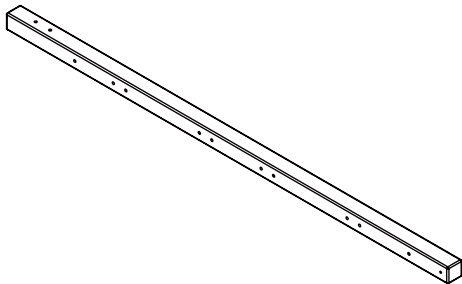
23 DECK STEP SUPPORT
PG-12-0002
(2)



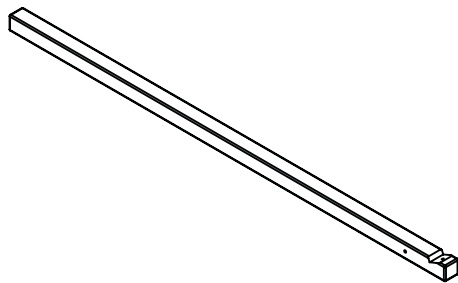
24 SIDE PANEL W/ HOLE
PG-PAN-027-021-01
(1)



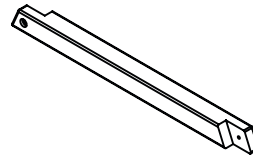
25 SIDE PANEL
PG-PAN-027-021-02
(4)



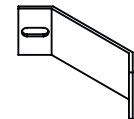
26 SWING BEAM
PG-46-0009
(1)



27 SWING BEAM LEG
PG-44-0084
(2)

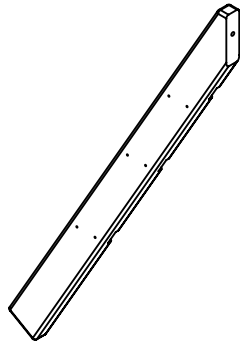


28 SWING BEAM SUPPORT
PG-44-0085
(1)

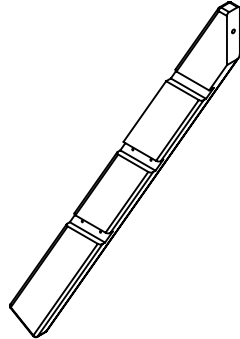


29 SWING BEAM BRACE
PG-AC-0040
(2)

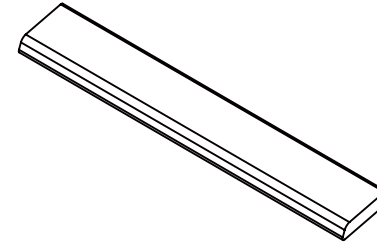
PARTS LIST (NOT ACTUAL SIZE)



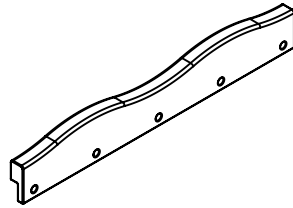
30 LADDER LEG RIGHT
PG-24-0086
(1)



31 LADDER LEG LEFT
PG-24-0087
(1)



32 LADDER STEP
PG-26-0031
(3)



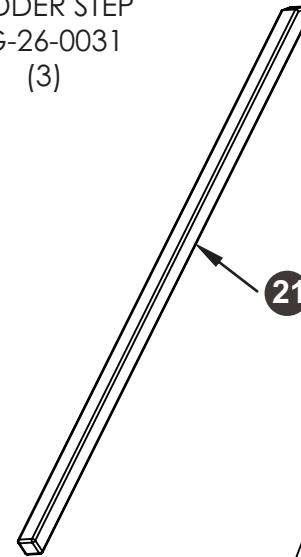
33 Slide Rail
3M-9143-00
(4)



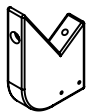
34
Slide Upper Spacer
PG-33-0001
QTY. 2



35
Slide Base
Block Center
PG-26-0033
QTY. 1



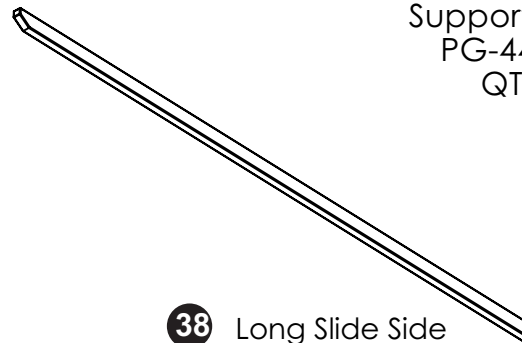
21
Upper Slide
Support Center
PG-44-0088
QTY. 1



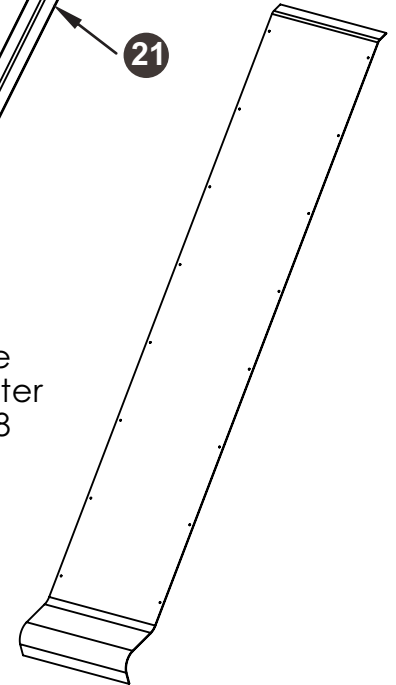
36 Slide Base Block
PG-26-0032
(2)



37 Slide Spacer
PG-23-0004
(1)

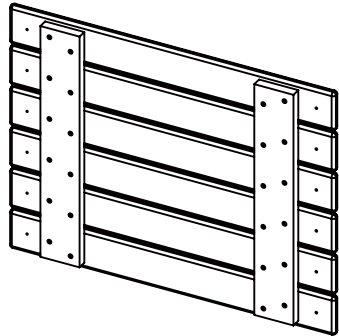


38 Long Slide Side
PG-23-0002
(2)

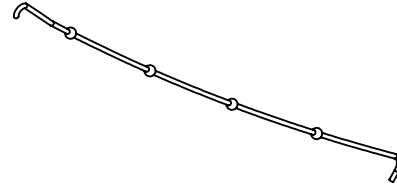


39 Long Slide Plastic
3M-9144-00
(1)

PARTS LIST (NOT ACTUAL SIZE)



40 Deck Panel Assembly
PG-DEK-027-021
(3)



43 122" CLIMBING ROPE
PG-AC-0043
(1)



44 CLIMBING ROCK
PG-AC-0044
(3 RED)
(4 YELLOW)



45 NAME PLATE
PG-AC-0039
(1)



46 BELT SWING (54")
PG-AC-0045
(2)

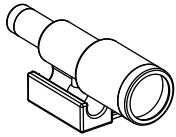


47 DUCTILE SWING HANGER
PG-AC-0046
(4)

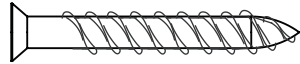


48 SPRING CLIP
PG-AC-0047
(4)
*Packed with #44
Belt Swing

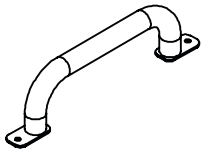
PARTS LIST (NOT ACTUAL SIZE)



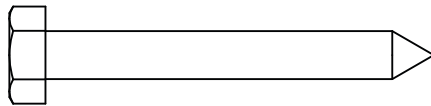
51 TELESCOPE
PG-AC-0048
(1)



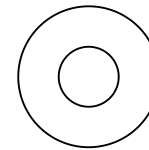
H20 #8 x 1.5" FLAT HEAD WOOD SCREW
PG-HW-S003
(2)



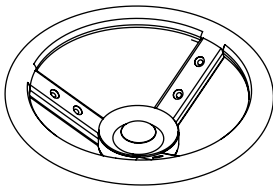
52 HANDLE
PG-AC-0049
(4)



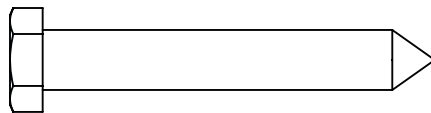
H28 1/4" x 2" HEX LAG SCREW
PG-HW-L022
(8)



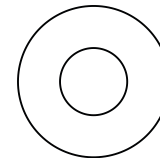
H10 1/4" FLAT WASHER
PG-HW-W002
(8)



53 SHIPS WHEEL
PG-AC-0050
(1)

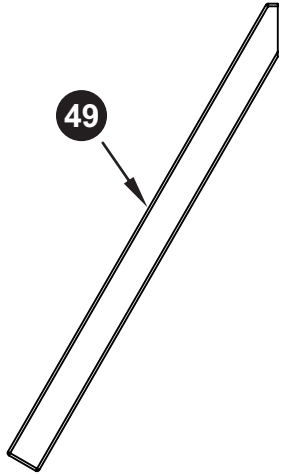


H24 5/16" x 2" HEX LAG SCREW
PG-HW-L007
(1)

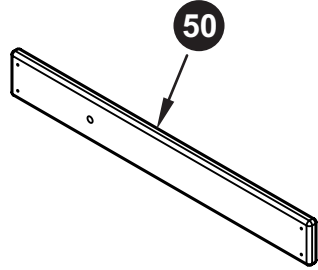


H11 5/16" FLAT WASHER
PG-HW-W003
(1)

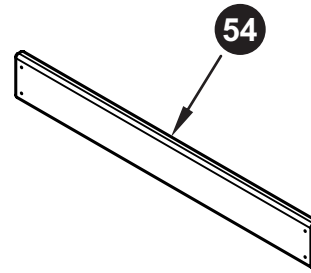
PARTS LIST (NOT ACTUAL SIZE)



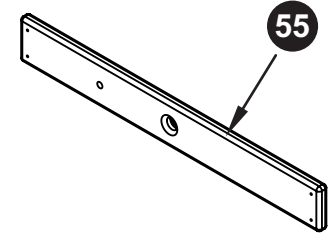
CLIMBING WALL LEG
PG-24-0073
QTY. 2



CLIMBING WALL BOARD
WITH **ROCK** HOLE
PG-14-0030
QTY. 6



CLIMBING WALL BOARD
WITH **NO** HOLE
PG-14-0032
QTY. 7

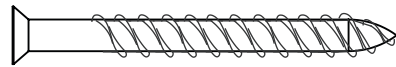


CLIMBING WALL BOARD
WITH **ROPE** HOLE
PG-14-0031
QTY. 1

PARTS REQUIRED

14 PANEL SUPPORT (8)

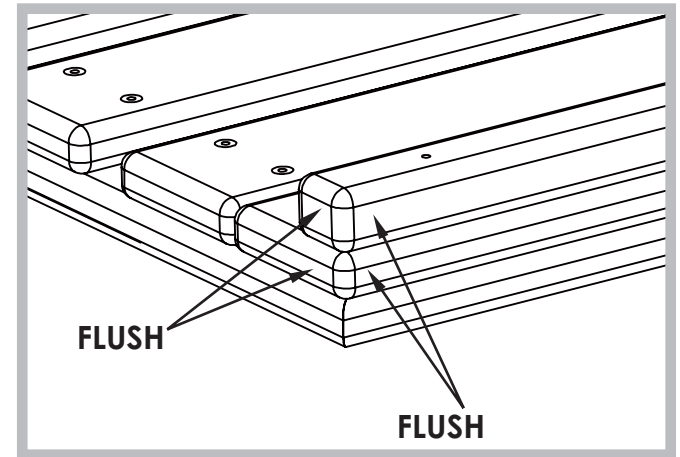
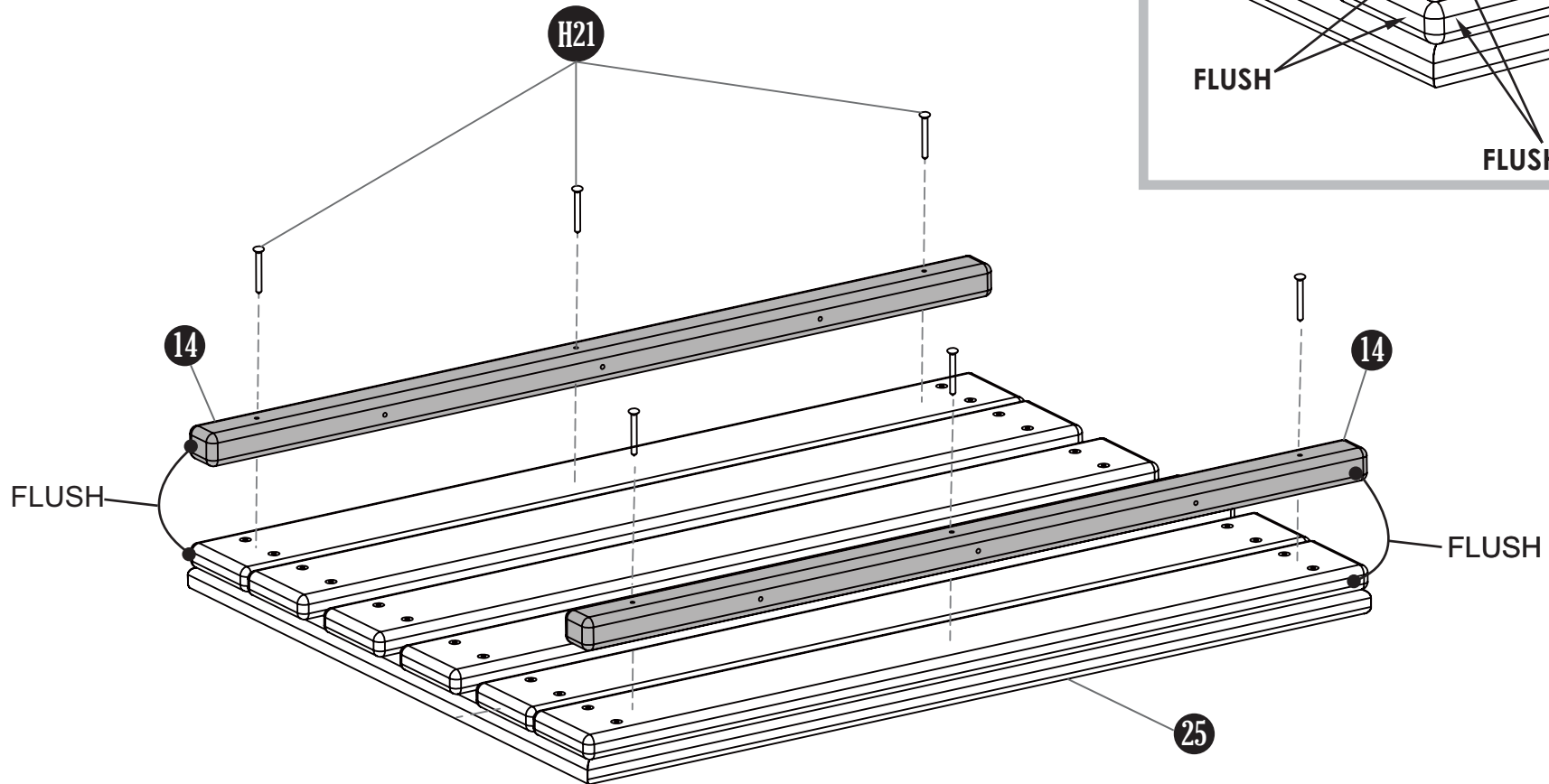
25 SIDE PANEL (4)



H21 #8X2" FLAT HEAD WOOD SCREW
PG-HW-S004
(24)

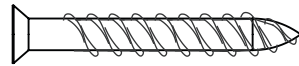
STEP 1:

Assemble two **#14** Panel Supports onto **#25** Side Panel using six **H21** Screws as shown.



PARTS REQUIRED

11 DECK END (4)



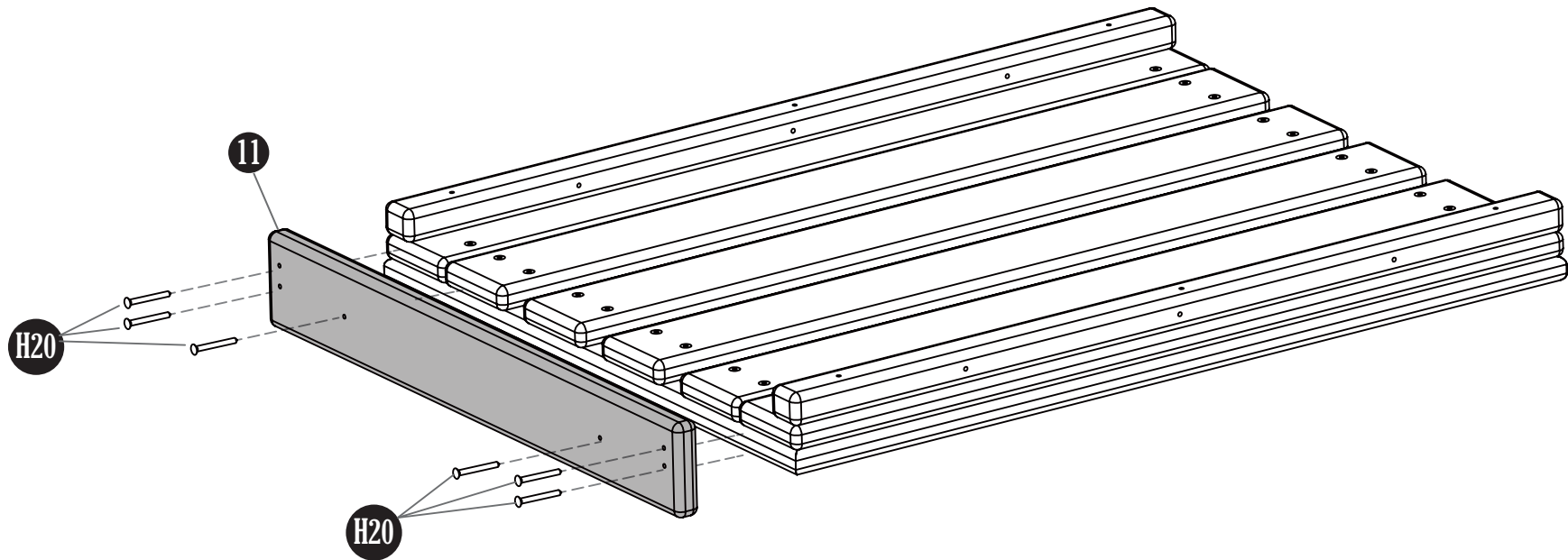
H20 #8X1.5" FLAT HEAD WOOD SCREW
PG-HW-S003
(24)

STEP 2:

Assemble one **#11** Deck End onto **STEP ONE** Side Panel assembly using six **H20** Screws as shown.

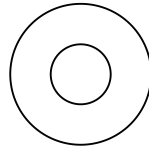
Repeat procedure **STEP ONE** and **STEP TWO** for the other Side Panel assemblies.

NOTE: The back of Part 11 should be flush with the back of the Side Panel Assembly.

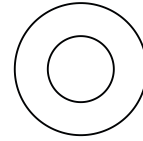


PARTS REQUIRED

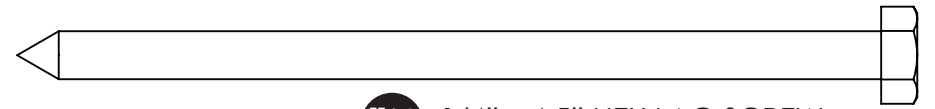
- 2** 89.5" DECK POST (2)
- 5** LOWER HORIZONTAL (1 HOLE) (1)
- 16** DECK SUPPORT (2)
- 17** ASSEMBLY AID BOARD (2)



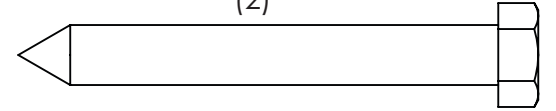
- H10** 1/4" FLAT WASHER
PG-HW-W002
(2)



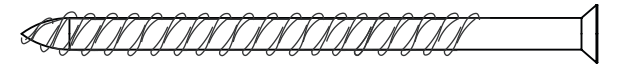
- H11** PG-HW-W003
(3)



- H14** 1/4" x 4.5" HEX LAG SCREW
PG-HW-L002
(2)



- H17** 5/16" x 2.5" HEX LAG SCREW
PG-HW-L003
(3)



- H23** #8x3" FLAT HEAD WOOD SCREW
PG-HW-S005
(2)

IMPORTANT NOTE:

1. Make sure **#2** and **#5** Deck Post position is as shown for correct assembly.
2. Make sure you measure and mark the assembly location as shown in diagram on **#2** and **#5** Deck Post for correct assembly.

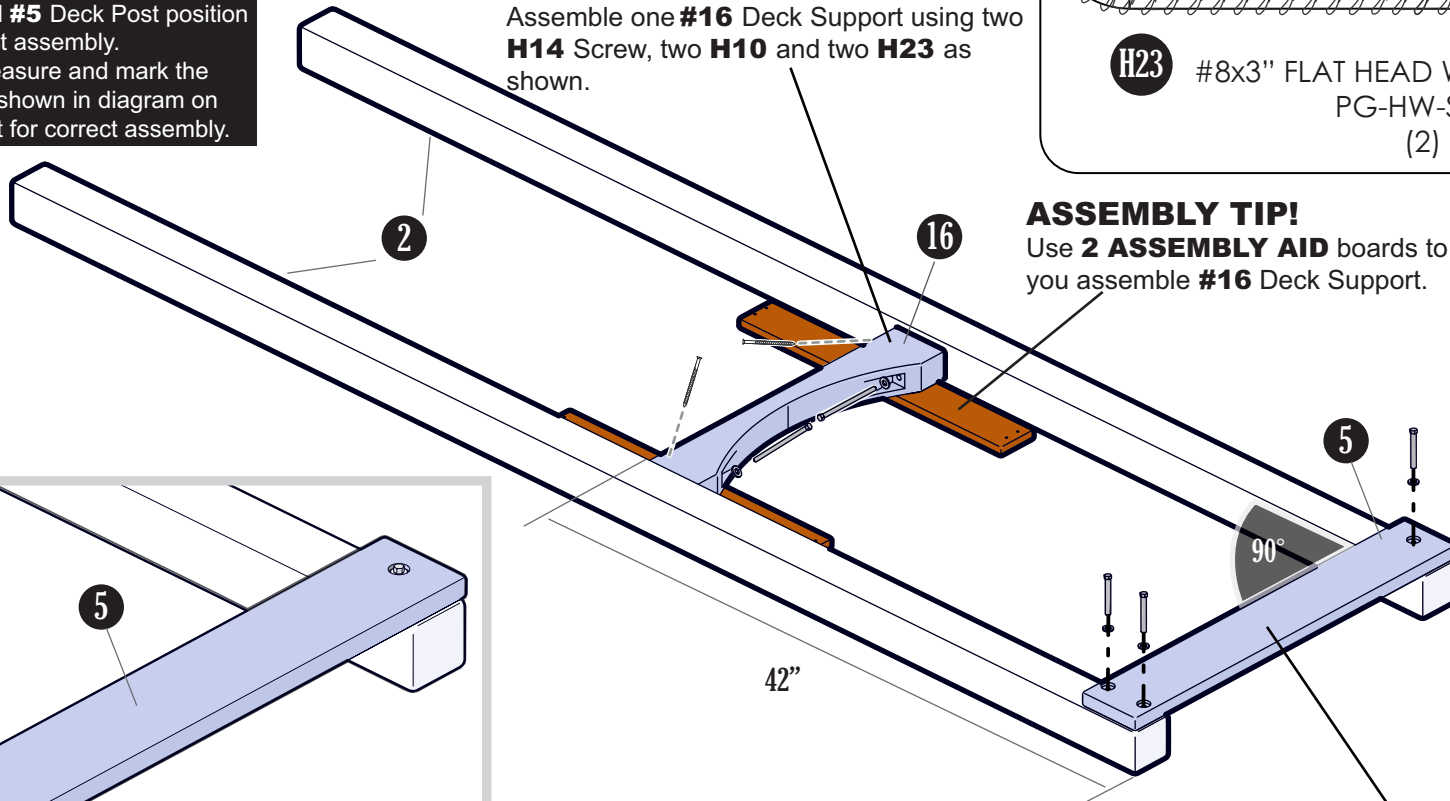
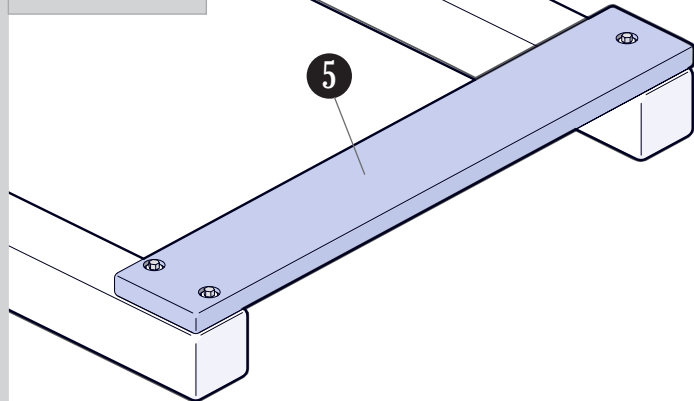
STEP 4:

Assemble one **#16** Deck Support using two **H14** Screw, two **H10** and two **H23** as shown.

ASSEMBLY TIP!

Use **2 ASSEMBLY AID** boards to help you assemble **#16** Deck Support.

DETAIL A

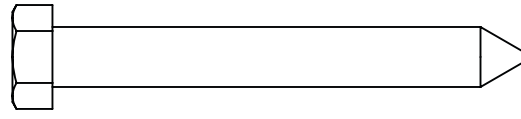


STEP 3:

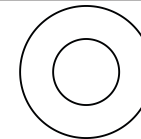
Assemble one **#5** Lower Horizontal Support onto **#2** and **#5** Deck Posts using four **H17** Screw and four **H11** Washers as shown. **IMPORTANT NOTE! Deck Posts and Lower Horizontal Support must 90 degree.**

PARTS REQUIRED

8 HORIZONTAL POST BRACE
(ONE HOLE) (1)



H17 5/16" x 2.5" HEX LAG SCREW
PG-HW-L003
(2)

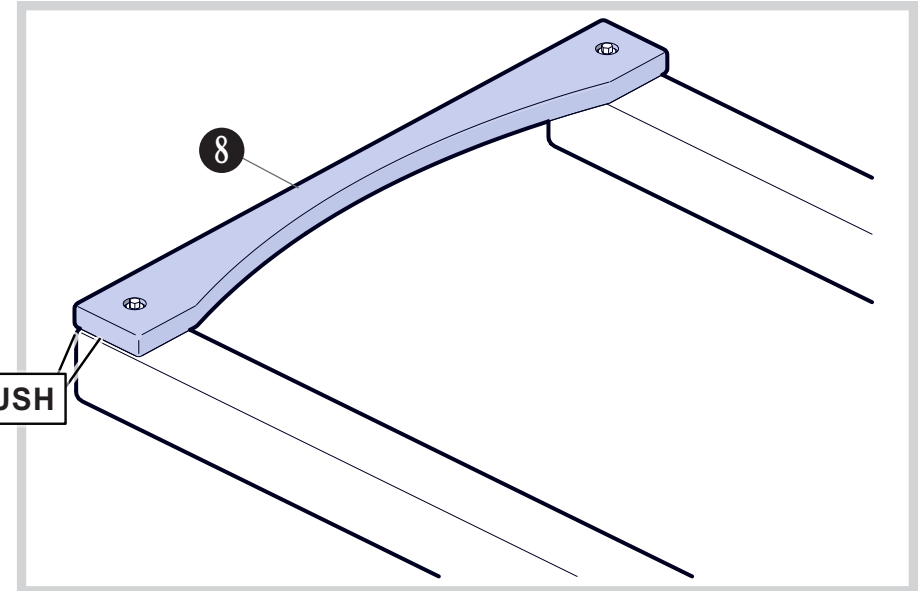
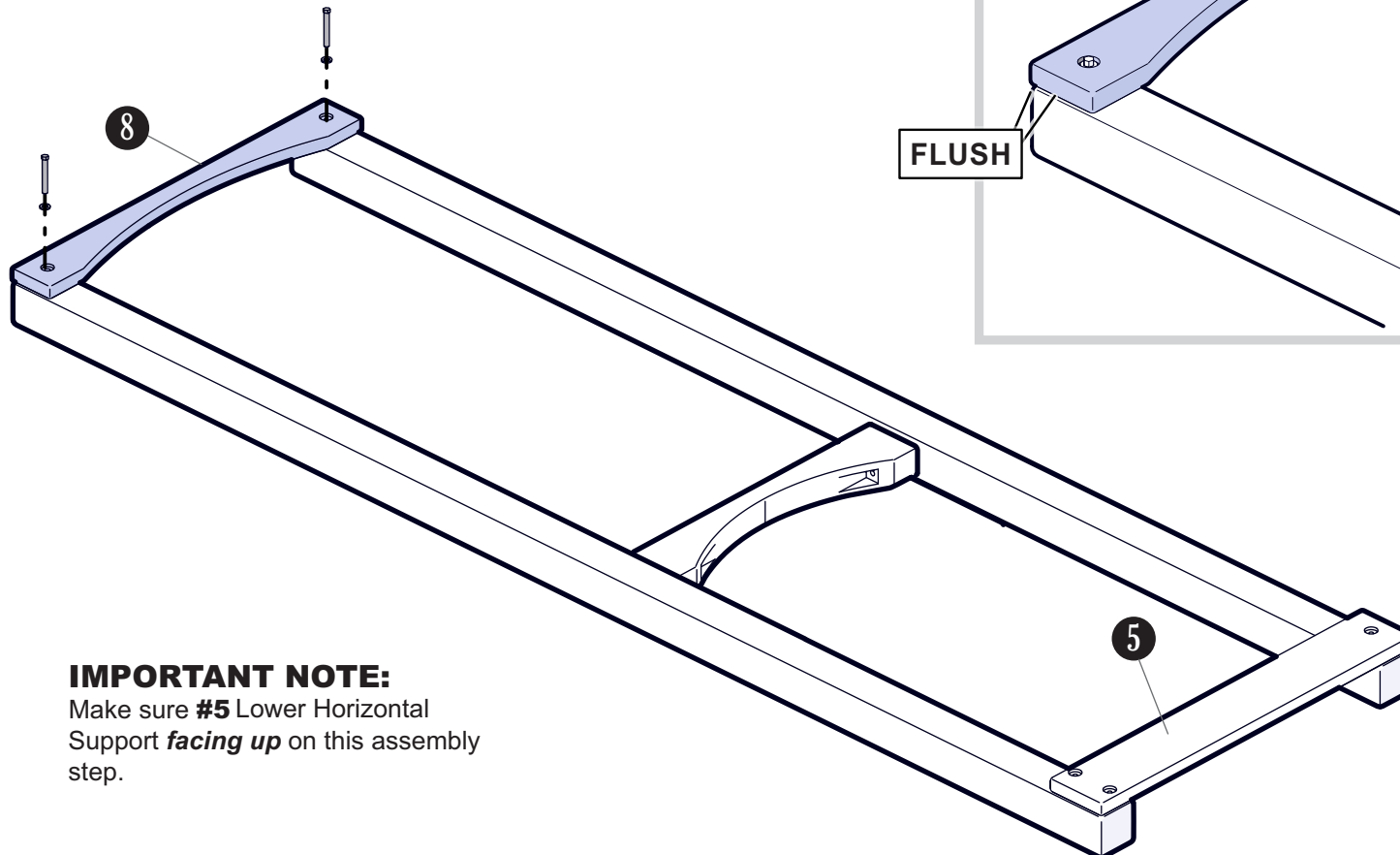


H11 5/16" FLAT WASHER
PG-HW-W003
(2)

STEP 5:

Make sure **#5** facing up before you start the assembly.

Assemble one **#8** Horizontal Post Brace using two **H17** Screw and two **H11** Washer as shown.

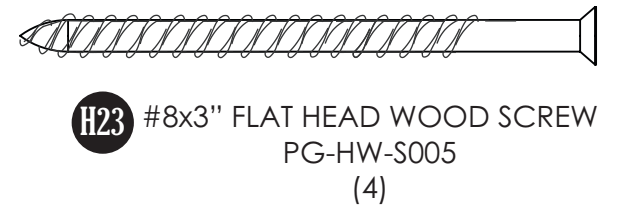
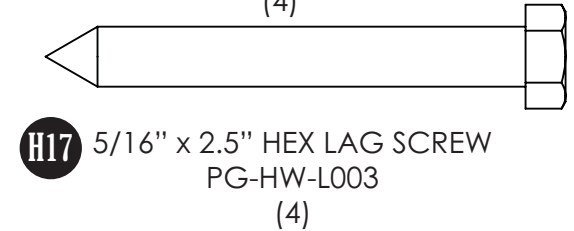
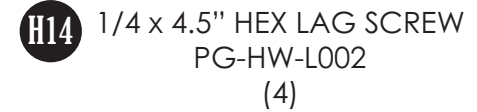
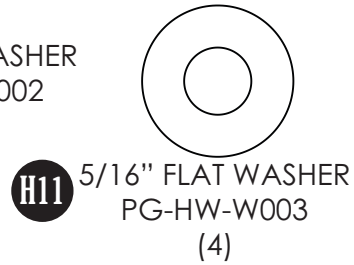
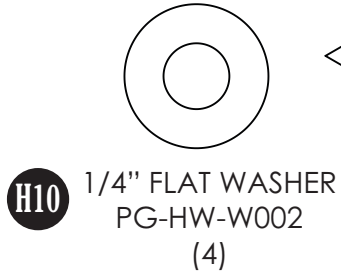


IMPORTANT NOTE:

Make sure **#5** Lower Horizontal Support *facing up* on this assembly step.

PARTS REQUIRED

- 3** 96" DECK POST (2)
- 4** 83.5" DECK POST (1)
- 7** LOWER HORIZONTAL SUPPORT (1 HOLE) (1)
- 16** DECK SUPPORT (2)
- 17** ASSEMBLY AID BOARD (2)



STEP 7:

Assemble two **#16** Deck Supports using four **H14**, four **H10** and four **H23** as shown.

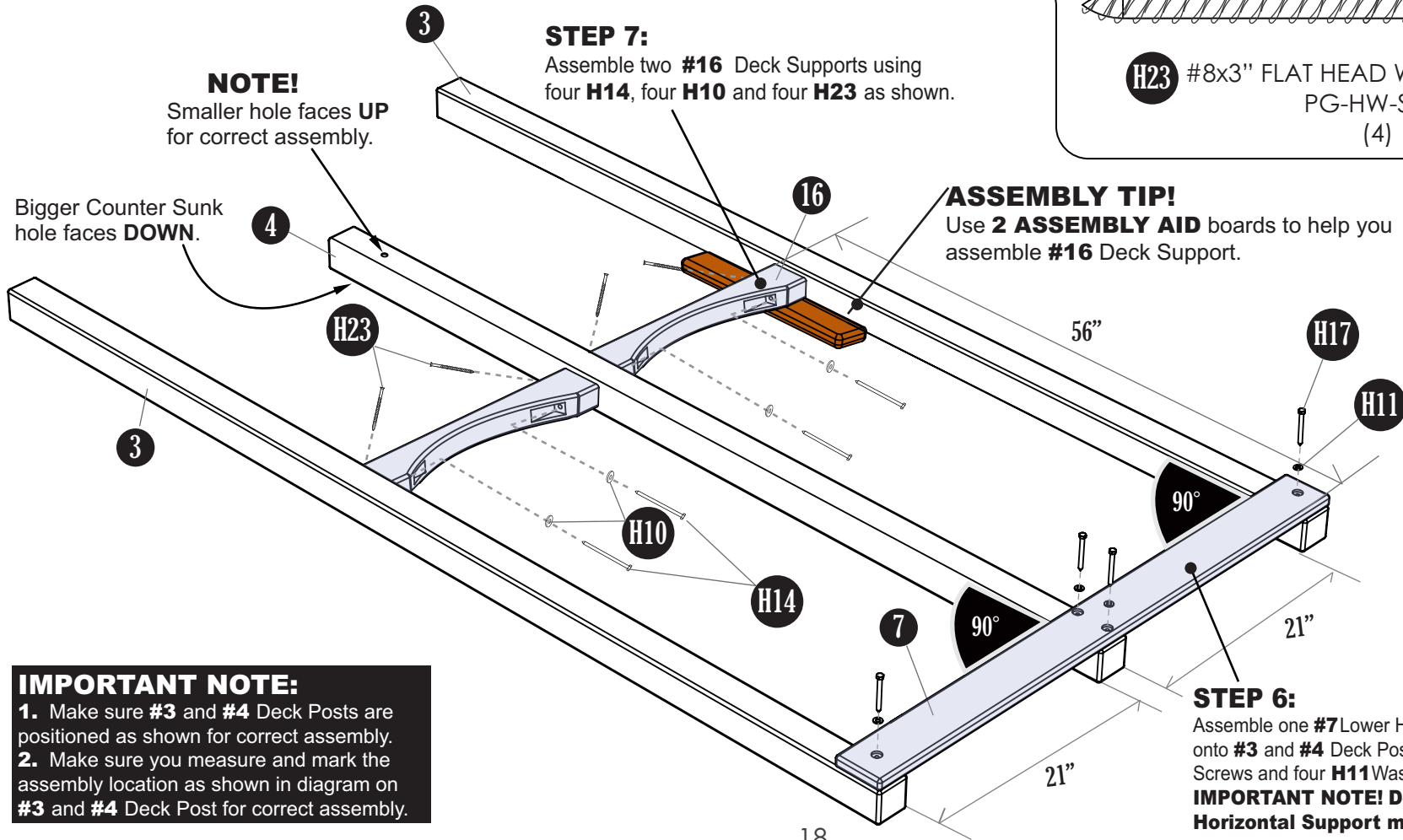
NOTE!

Smaller hole faces **UP** for correct assembly.

Bigger Counter Sunk hole faces **DOWN**.

ASSEMBLY TIP!

Use **2 ASSEMBLY AID** boards to help you assemble **#16** Deck Support.



IMPORTANT NOTE:

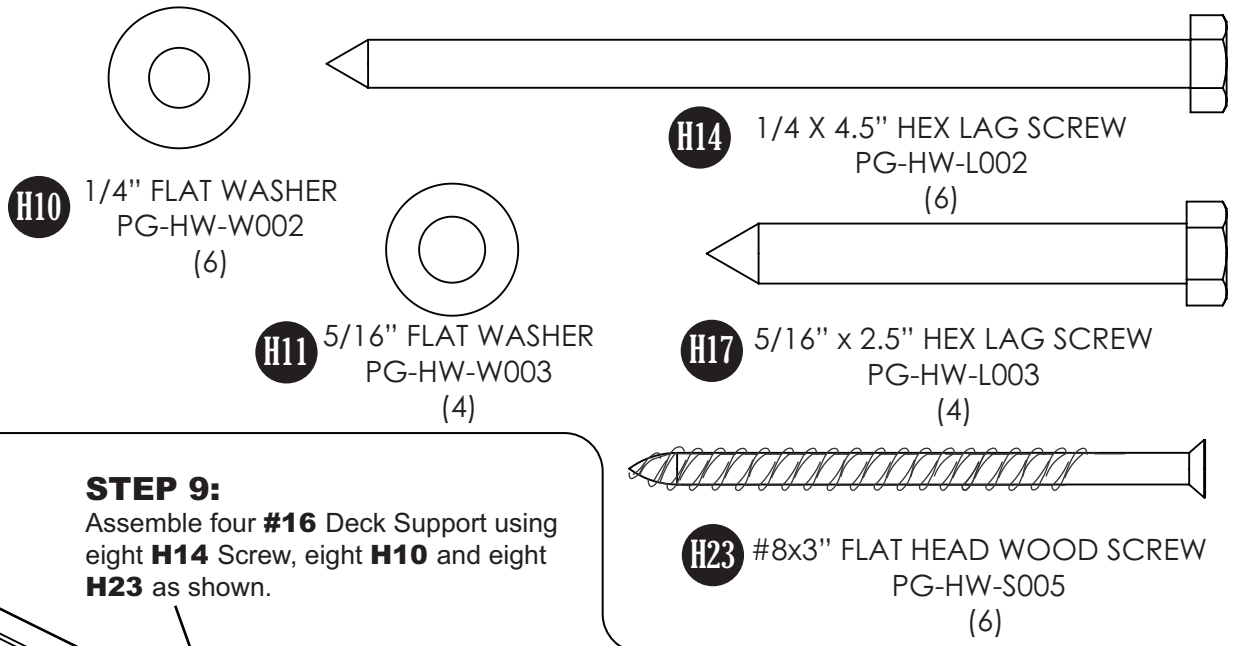
1. Make sure **#3** and **#4** Deck Posts are positioned as shown for correct assembly.
2. Make sure you measure and mark the assembly location as shown in diagram on **#3** and **#4** Deck Post for correct assembly.

STEP 6:

Assemble one **#7** Lower Horizontal Support onto **#3** and **#4** Deck Posts using four **H17** Screws and four **H11** Washers as shown. **IMPORTANT NOTE!** Deck Posts and Lower Horizontal Support must at 90 degree angle.

PARTS REQUIRED

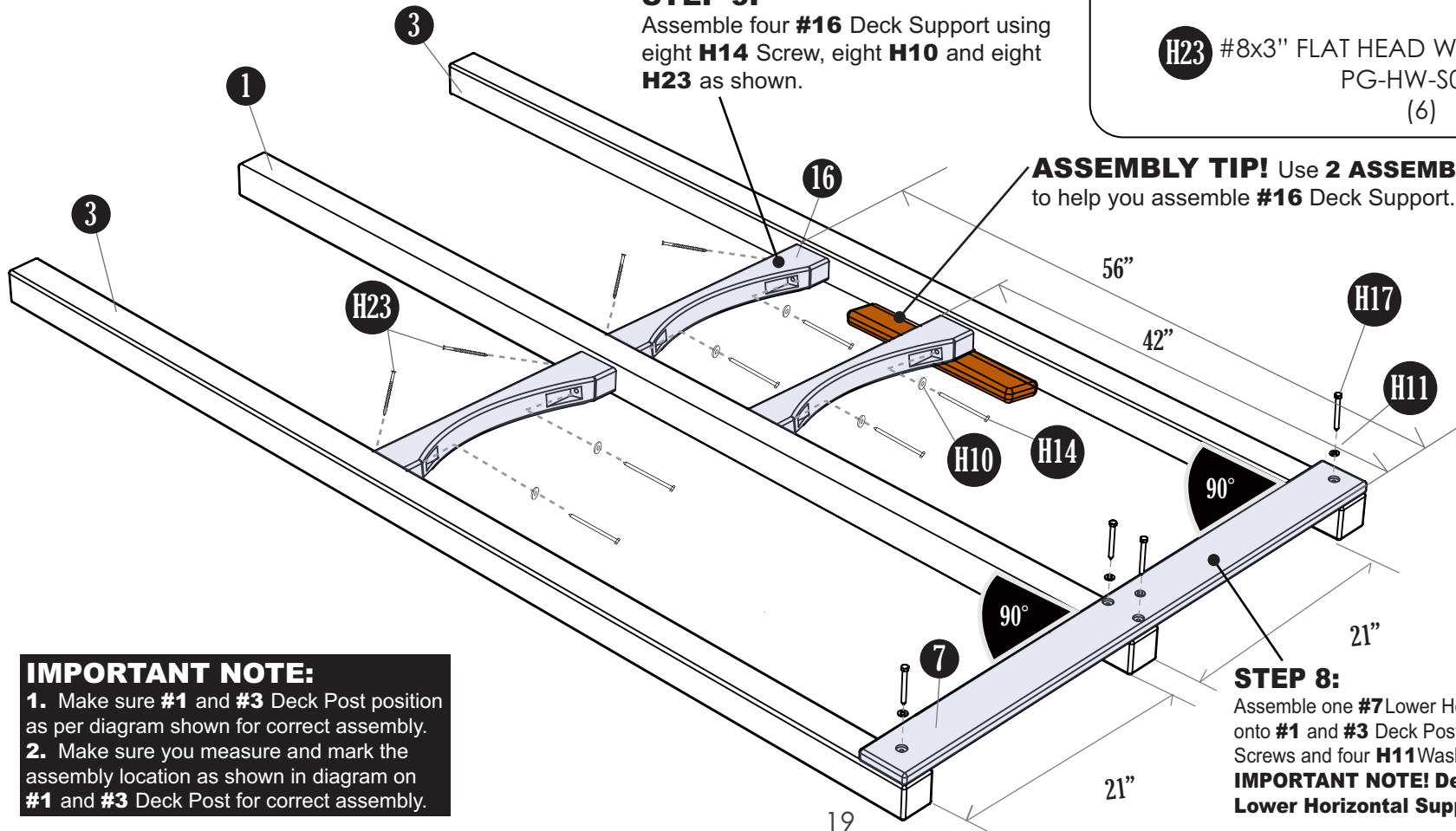
- 1** 94" DECK POST (1)
- 3** 96" DECK POST (2)
- 7** LOWER HORIZONTAL SUPPORT (1 HOLE) (1)
- 16** DECK SUPPORT (3)
- 17** ASSEMBLY AID BOARD (2)



STEP 9:

Assemble four **#16** Deck Support using eight **H14** Screw, eight **H10** and eight **H23** as shown.

ASSEMBLY TIP! Use **2 ASSEMBLY AID** boards to help you assemble **#16** Deck Support.

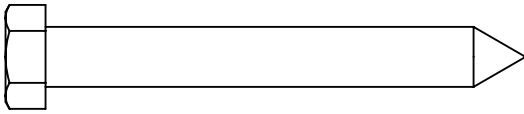


IMPORTANT NOTE:
1. Make sure **#1** and **#3** Deck Post position as per diagram shown for correct assembly.
2. Make sure you measure and mark the assembly location as shown in diagram on **#1** and **#3** Deck Post for correct assembly.

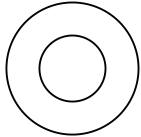
STEP 8:
 Assemble one **#7** Lower Horizontal Support onto **#1** and **#3** Deck Posts using four **H17** Screws and four **H11** Washers as shown.
IMPORTANT NOTE! Deck Posts and Lower Horizontal Support must 90 degree.

PARTS REQUIRED

- 6** SHORT LOWER HORIZONTAL SUPPORT (2 HOLE)
STEP 7 ASSEMBLY
STEP 9 ASSEMBLY



- H17** 5/16" x 2.5" HEX LAG SCREW
PG-HW-L003
(4)

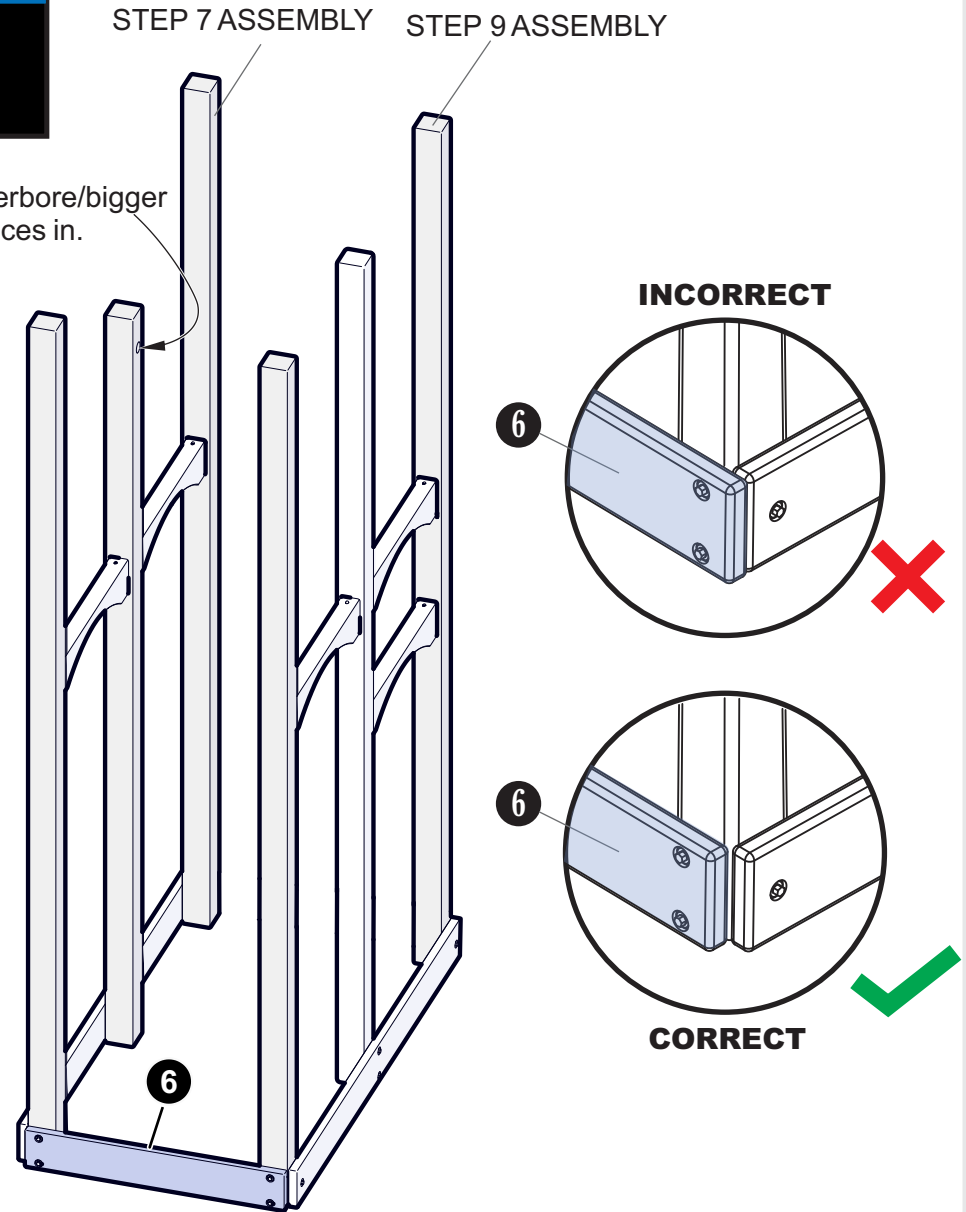
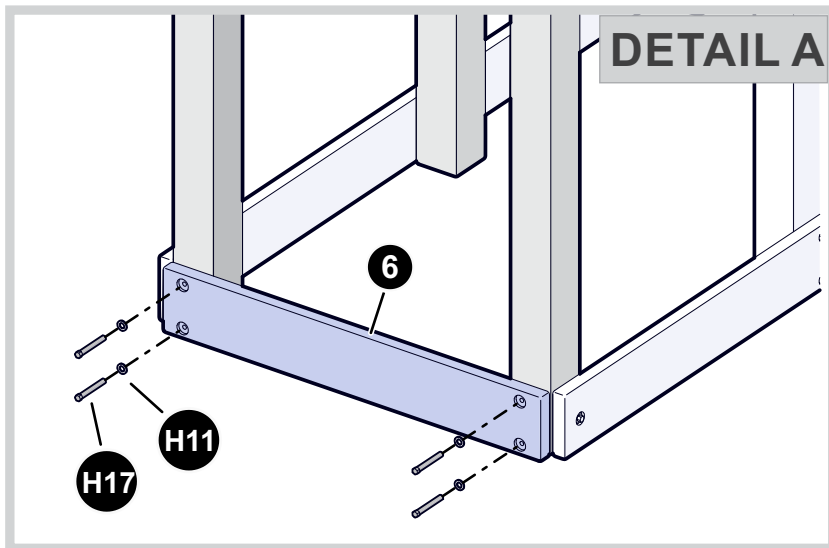


- H11** 5/16" FLAT WASHER
PG-HW-W003
(4)

STEP 10:

With the help of other adults, Assemble one **#6** Short Lower Horizontal Support using four **H17** screws and four **H11** Washers as shown in diagram. Make sure to locate and assemble **#6** Lower Horizontal Support as shown in the **"CORRECT"** diagram.

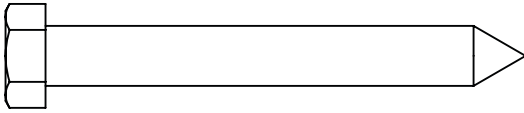
At least 3 people are needed to complete assembly.



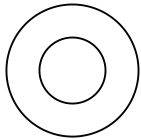
PARTS REQUIRED

9 LOWER HORIZONTAL SUPPORT (2 HOLE) (1)

STEP 7 ASSEMBLY
STEP 9 ASSEMBLY



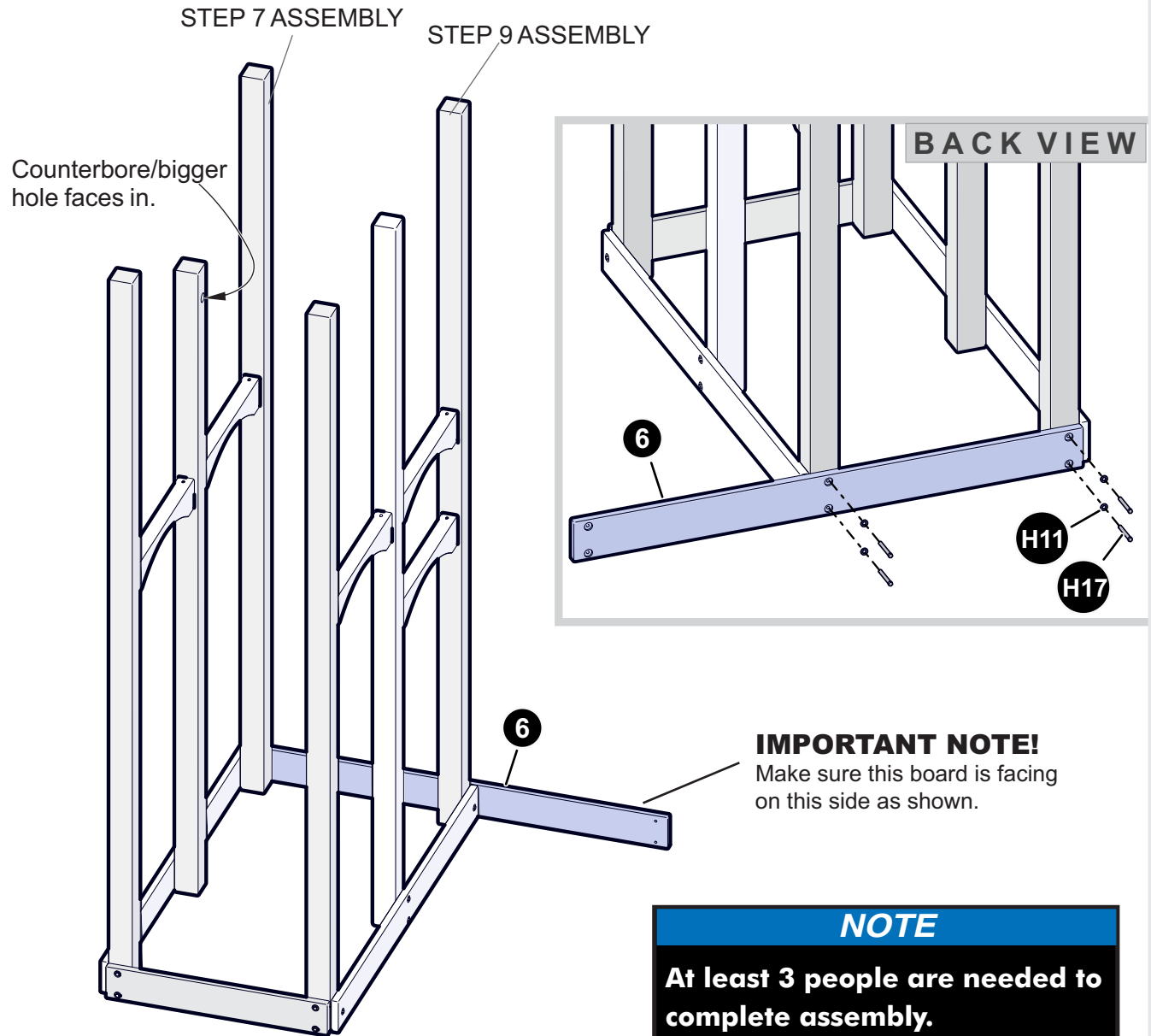
H17 5/16" x 2.5" HEX LAG SCREW
PG-HW-L003
(4)



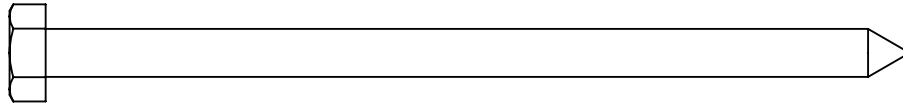
H11 5/16" FLAT WASHER
PG-HW-W003
(4)

STEP 11:

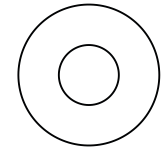
With the help of other adults, Assemble one **#9** Lower Horizontal Support using four **H17** screws and four **H11** Washers as shown.



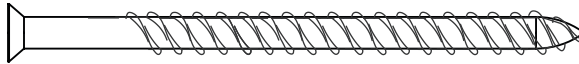
PARTS REQUIRED
STEP 10 ASSEMBLY



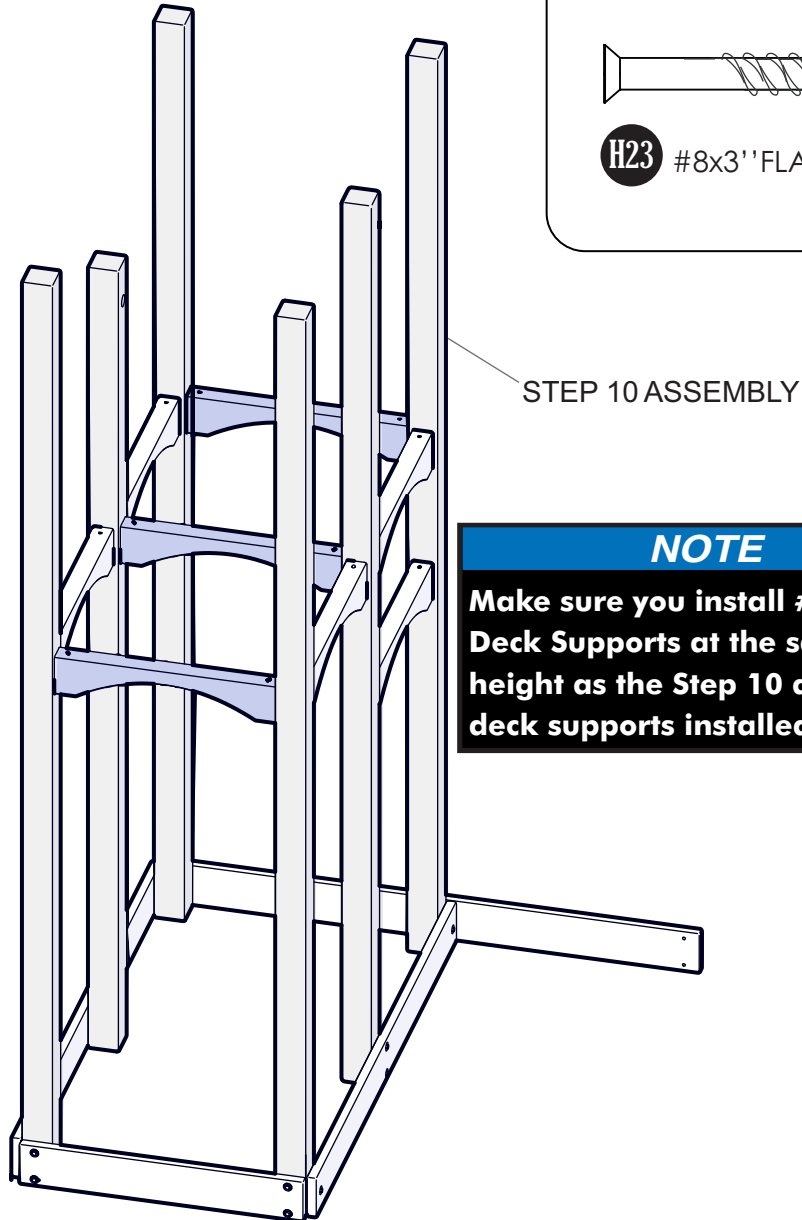
H14 1/4 X 4.5" HEX LAG SCREW
PG-HW-L002
(6)



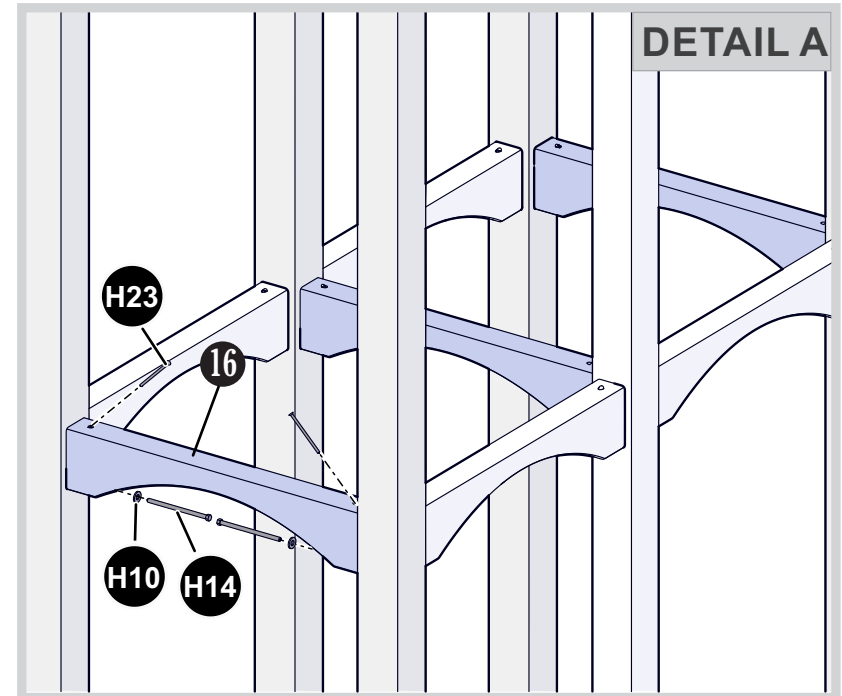
H10 1/4" FLAT WASHER
PG-HW-W002
(6)



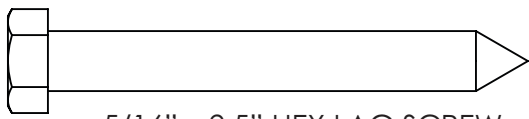
H23 #8x3" FLAT HEAD WOOD SCREW
PG-HW-S005
(6)



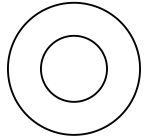
NOTE
Make sure you install #16 Deck Supports at the same height as the Step 10 assembly deck supports installed before.



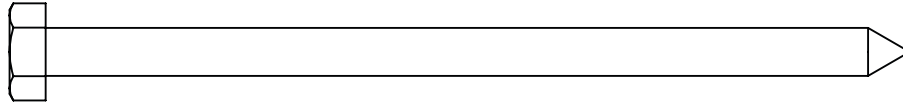
STEP 12:
With the help of other adults, assemble #16 Deck supports to Step 10 ASSEMBLY using six **H14** Lag screw, **H11** Washers and **H23** wood screws as shown.



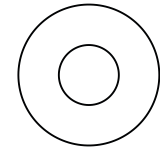
H17 5/16" x 2.5" HEX LAG SCREW
PG-HW-L003
(2)



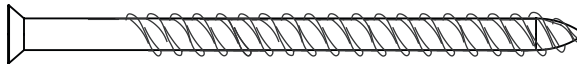
H11 5/16" FLAT WASHER
PG-HW-W003
(2)



H14 1/4 X 4.5" HEX LAG SCREW
PG-HW-L002
(4)



H10 1/4" FLAT WASHER
PG-HW-W002
(4)



H23 #8x3" FLAT HEAD WOOD SCREW
PG-HW-S005
(4)

PARTS REQUIRED

16 DECK SUPPORT (2)

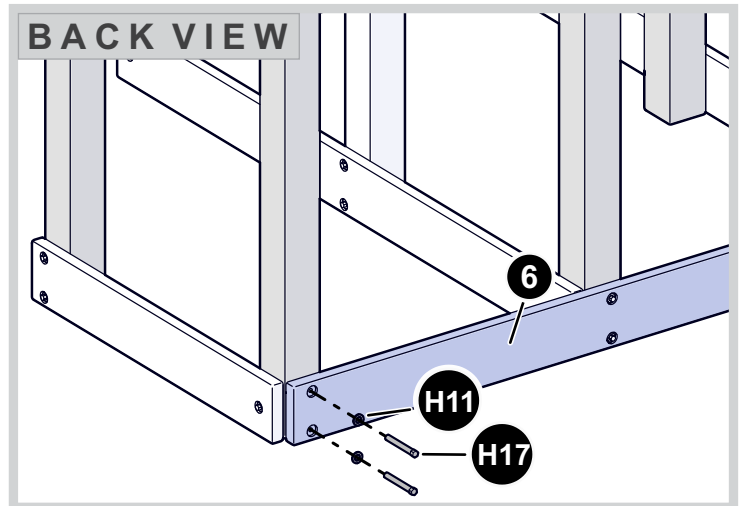
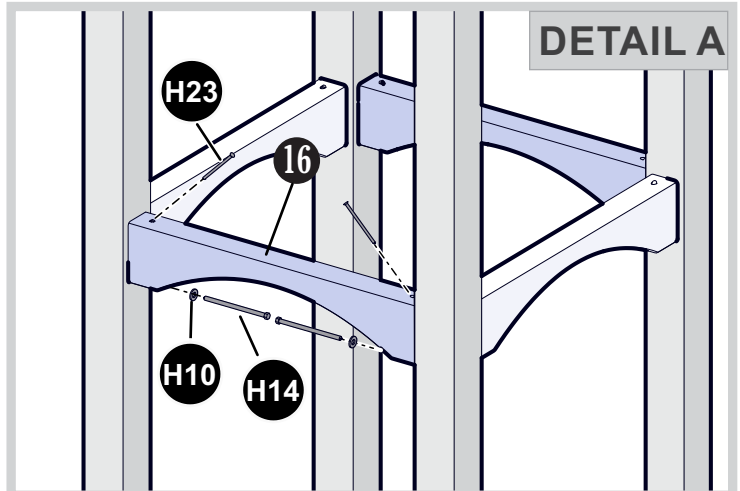
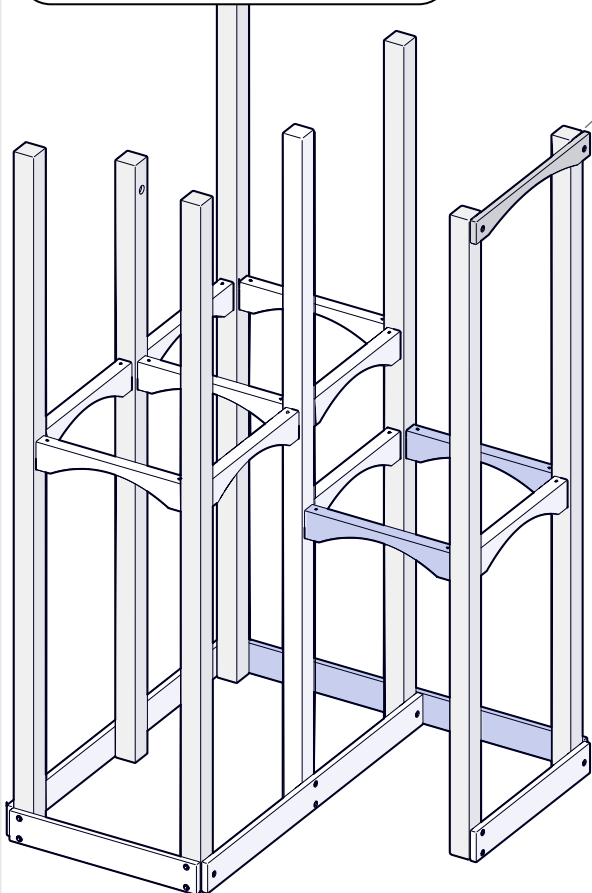
STEP 5 ASSEMBLY

STEP 5 ASSEMBLY

NOTE
Make sure you install #16 Deck Supports at the same height as the Step 5 assembly deck supports.

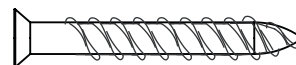
STEP 13:

Attach Deck Supports (#16) as shown in **Detail A**. Then secure the Step 5 assembly by attaching the Lower Horizontal Support (#6).



PARTS REQUIRED

38 DECK ASSEMBLY (3)

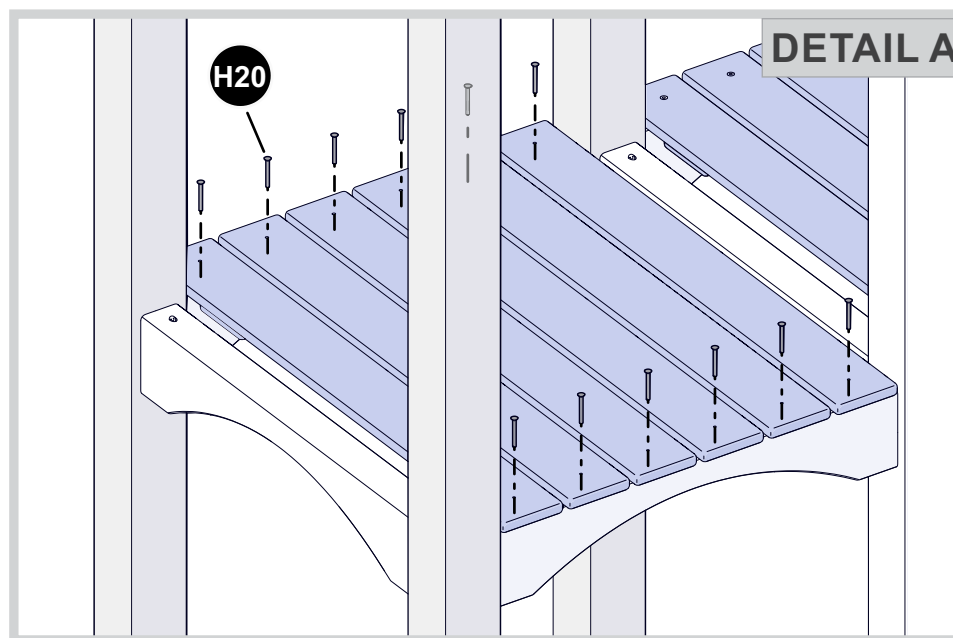
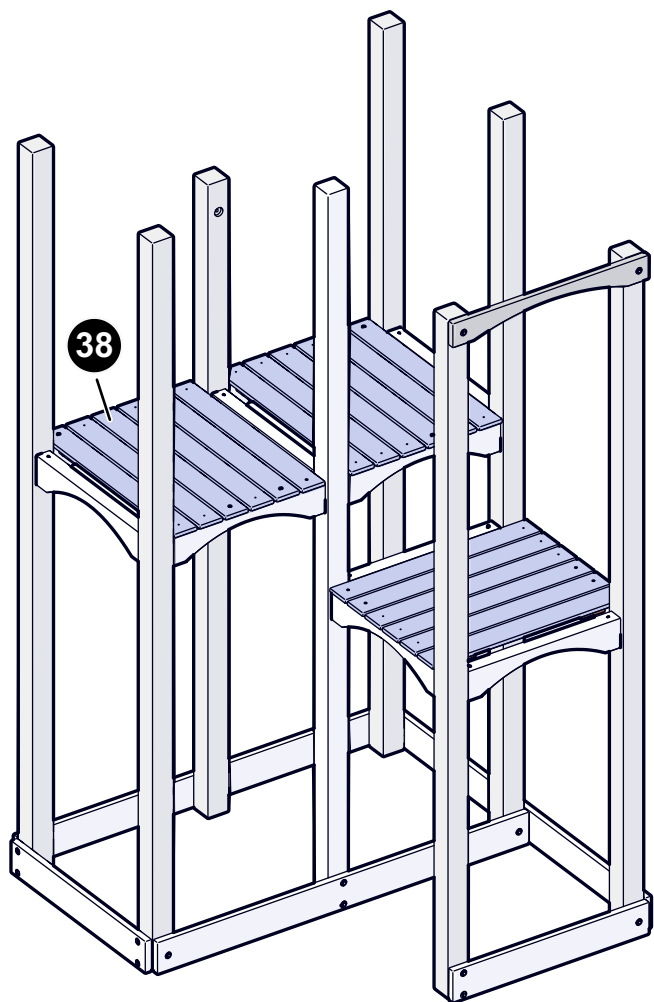


H20

#8X1.5" FLAT HEAD WOOD SCREW
PG-HW-S003
(36)

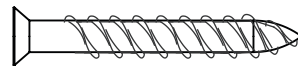
STEP 14:

Attach Deck Assemblies **(#38)** as shown.



PARTS REQUIRED

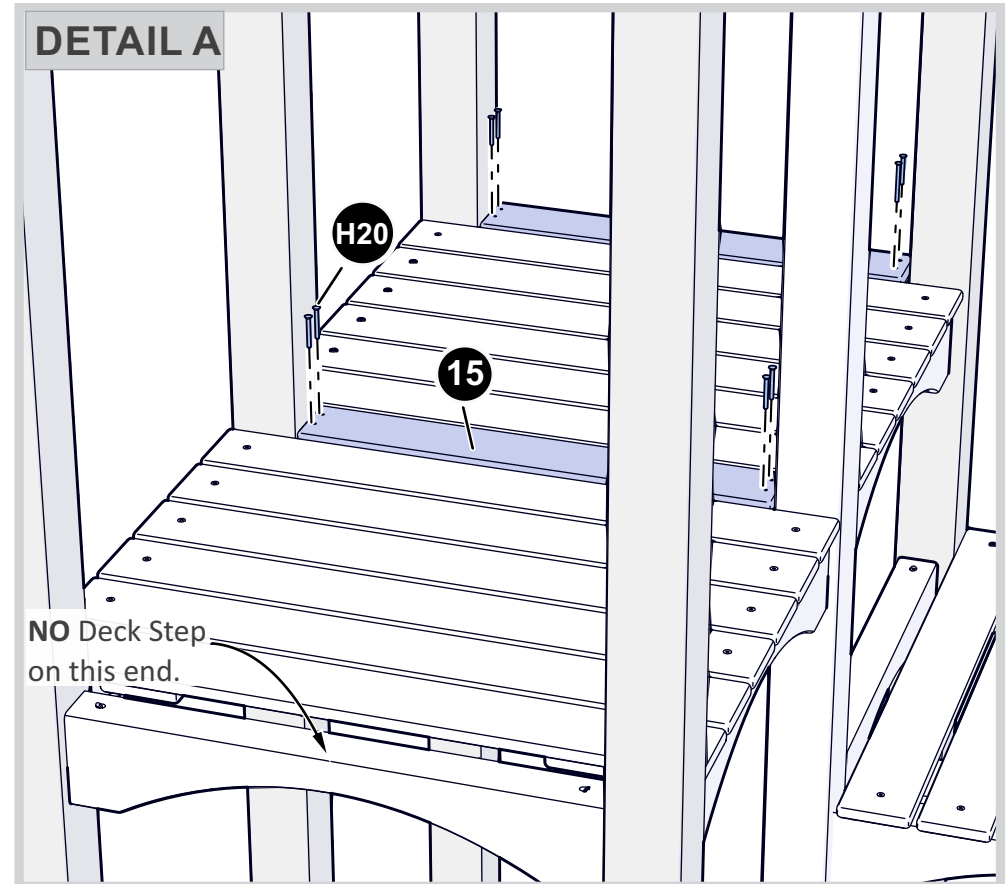
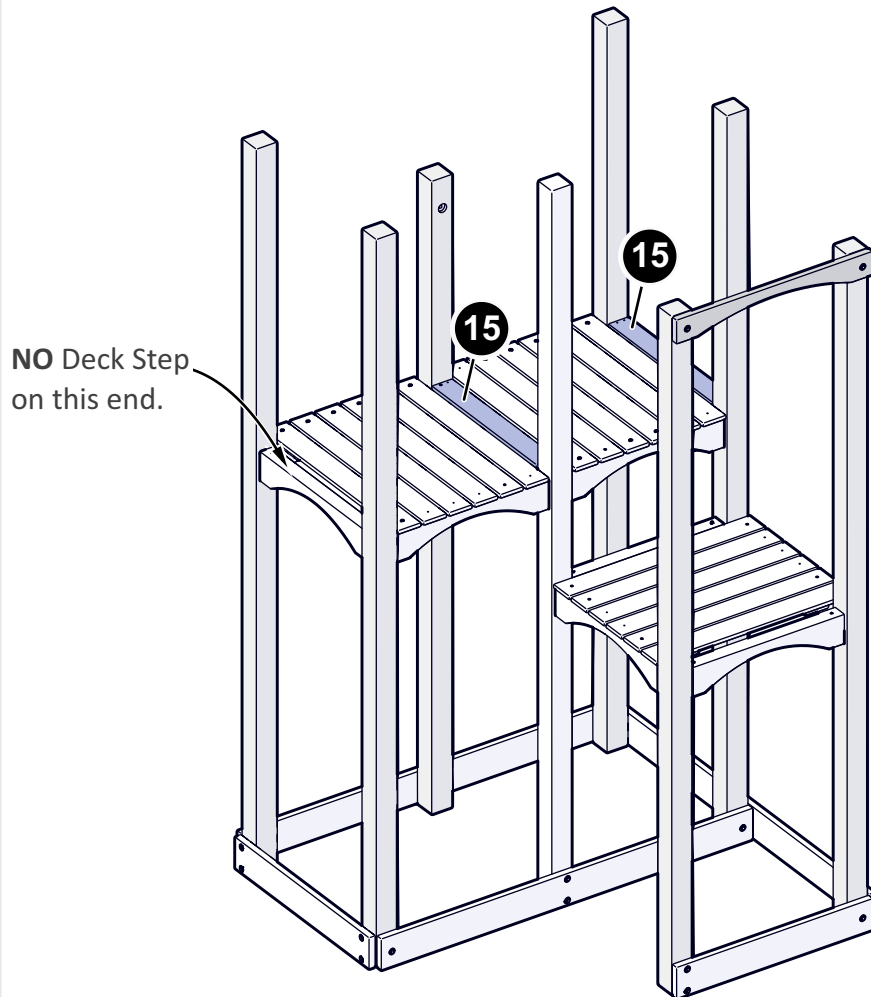
15 DECK STEP (2)



H20 #8X1.5" FLAT HEAD WOOD SCREW
PG-HW-S003
(8)

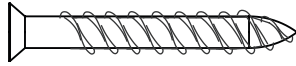
STEP 15:

Attach Deck Steps (#15) as shown.



PARTS REQUIRED

- 15** DECK STEP (3)
- 23** DECK STEP SUPPORT (2)



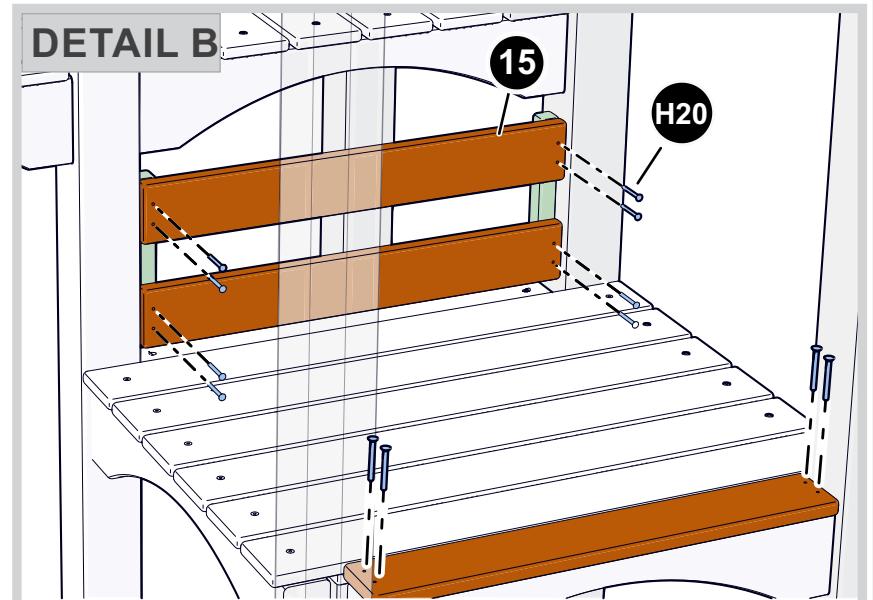
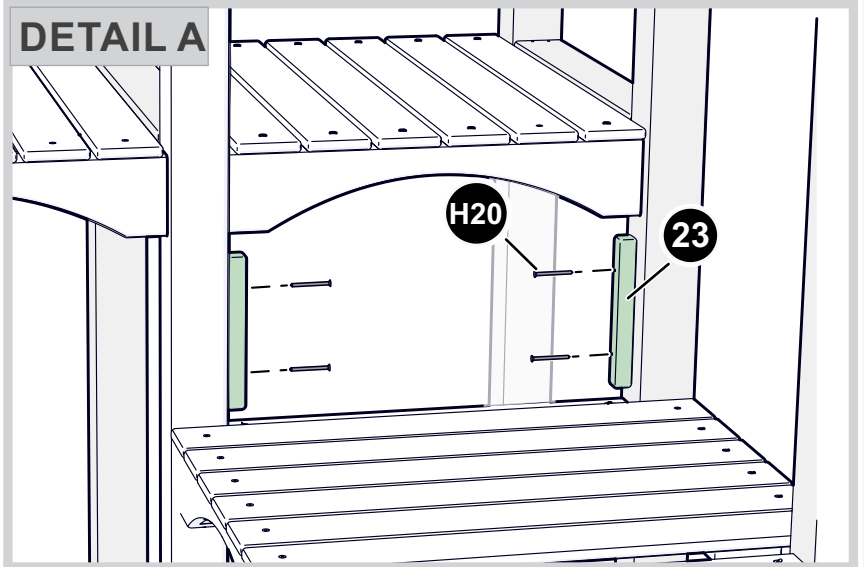
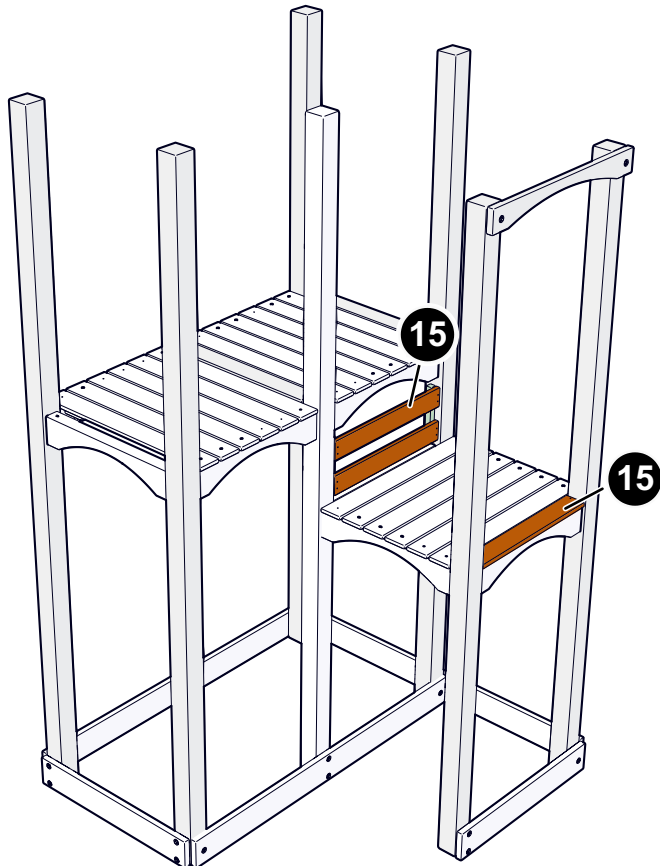
- H20** #8X1.5" FLAT HEAD WOOD SCREW
PG-HW-S003
(16)

STEP 16:

Attach Deck Steps Supports (**#23**) about 1 inch below deck supports and centered on the Deck posts shown.

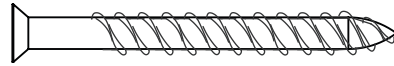
STEP 17:

Attach Deck Steps (**#15**) as shown.



PARTS REQUIRED

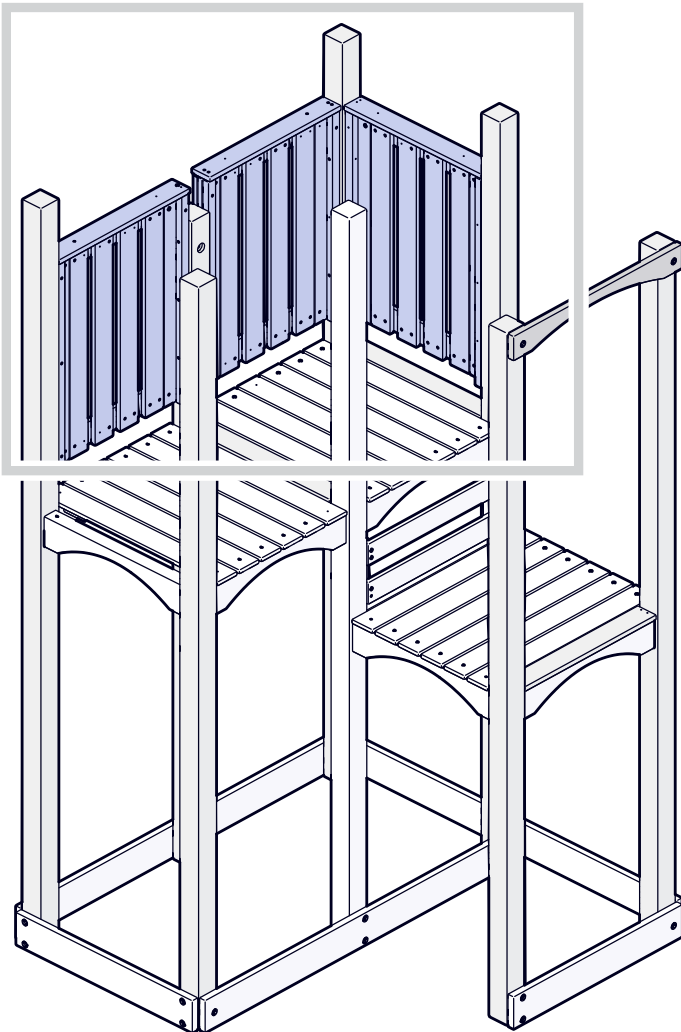
STEP 2 PANEL ASSEMBLY (X3)



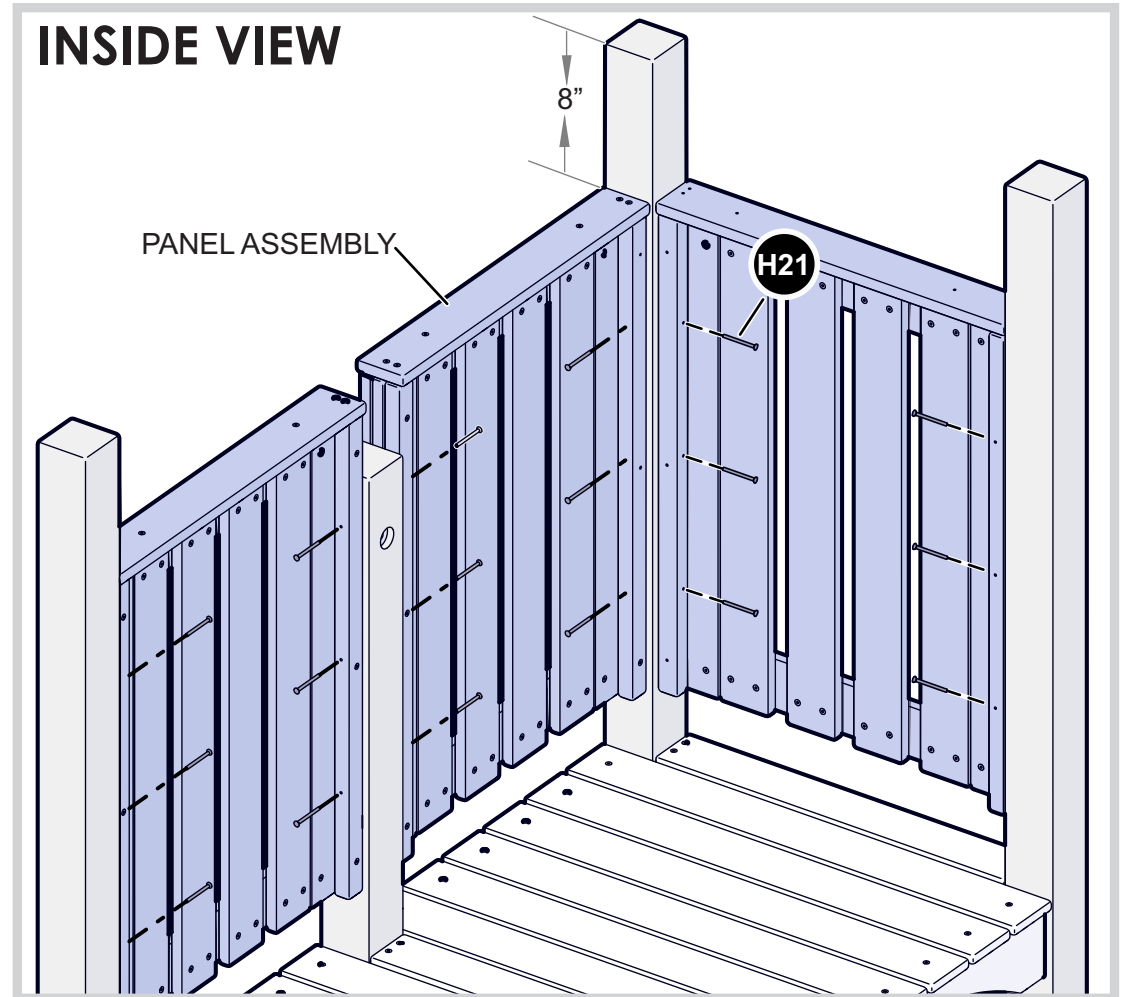
H21 #8X2" FLAT HEAD WOOD SCREW
PG-HW-S004
(18)

STEP 18:

Attach Panel Assemblies from **Step 2**
as shown.



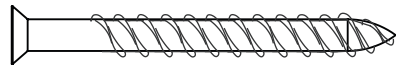
INSIDE VIEW



PARTS REQUIRED

14 PANEL SUPPORT (2)

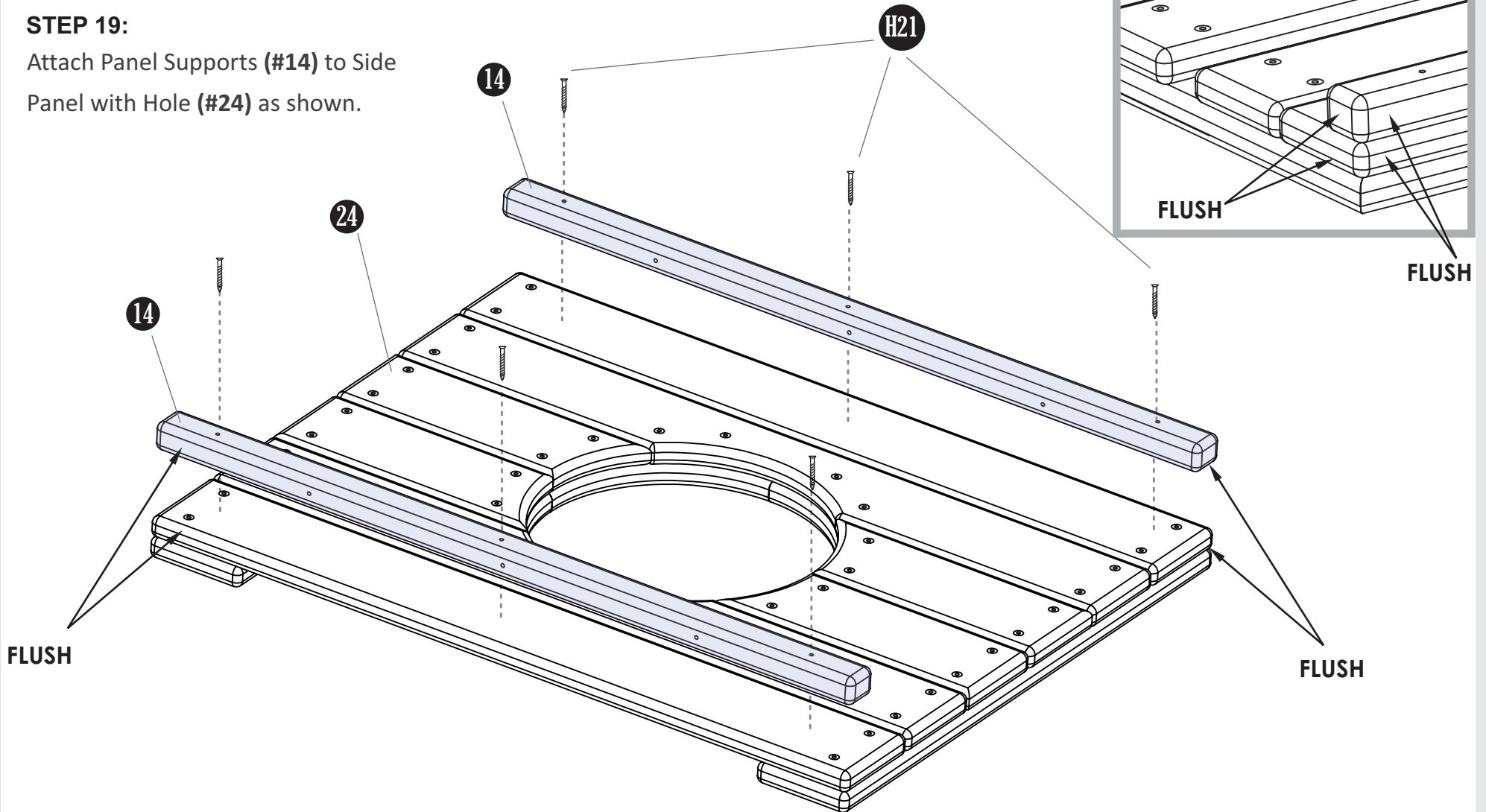
24 SIDE PANEL W/ HOLE (1)



H21 #8X2" FLAT HEAD WOOD SCREW
PG-HW-S004
(6)

STEP 19:

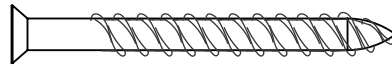
Attach Panel Supports (#14) to Side Panel with Hole (#24) as shown.



PARTS REQUIRED

STEP 2 PANEL ASSEMBLY (1)

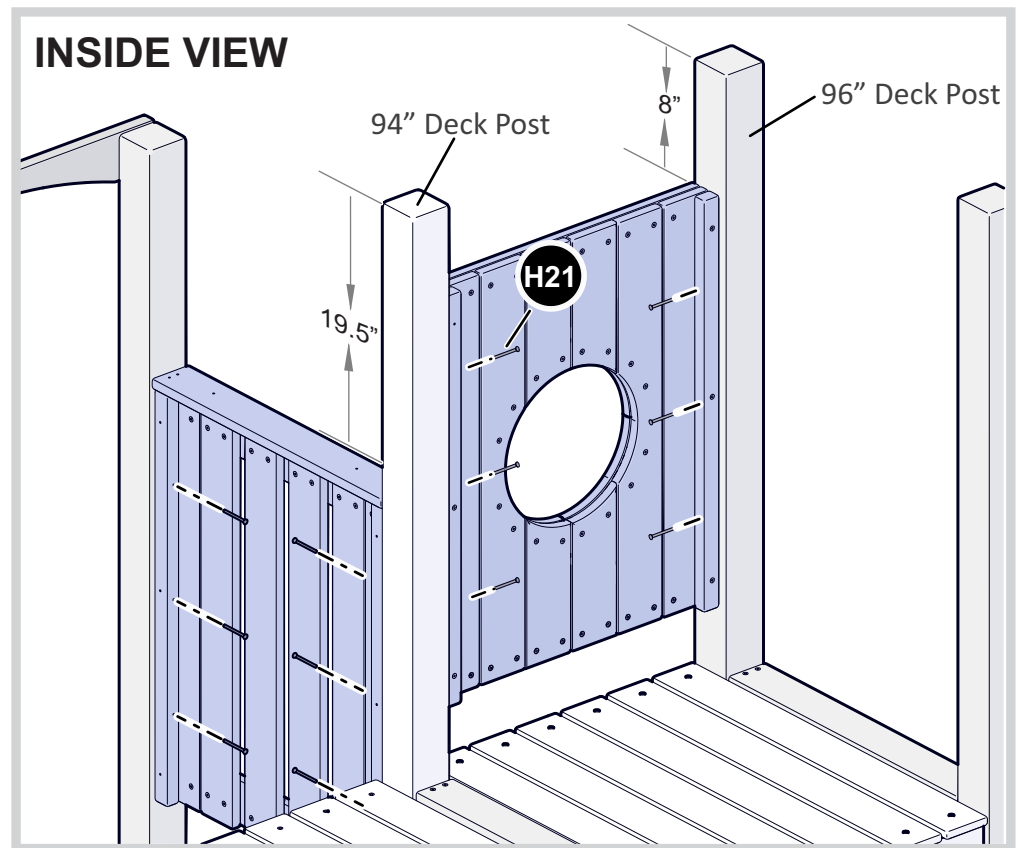
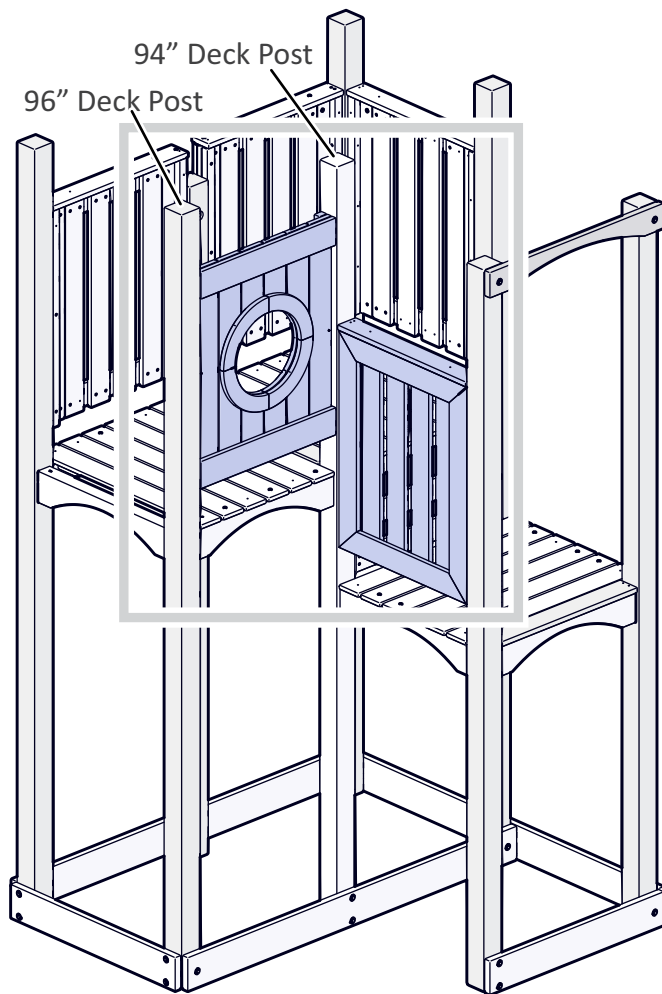
STEP 19 PANEL ASSEMBLY (1)



H21 #8 x 2" FLAT HEAD WOOD SCREW
PG-HW-S004
(12)

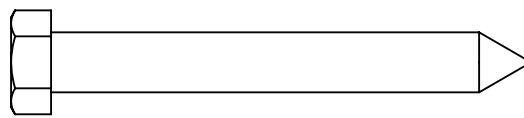
STEP 20:

Attach Panel Assembly with **Hole** from Step 19 and one Panel Assembly from Step 2 as shown.



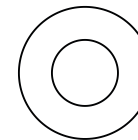
PARTS REQUIRED

- 8** HORIZONTAL POST BRACE(ONE HOLE) (2)
- 12** LOWER ROOF RAFTER (1)
- 13** LOWER ROOF RAFTER (W/ROPE HOLE) (1)



H17

PG-HW-L003
(8)

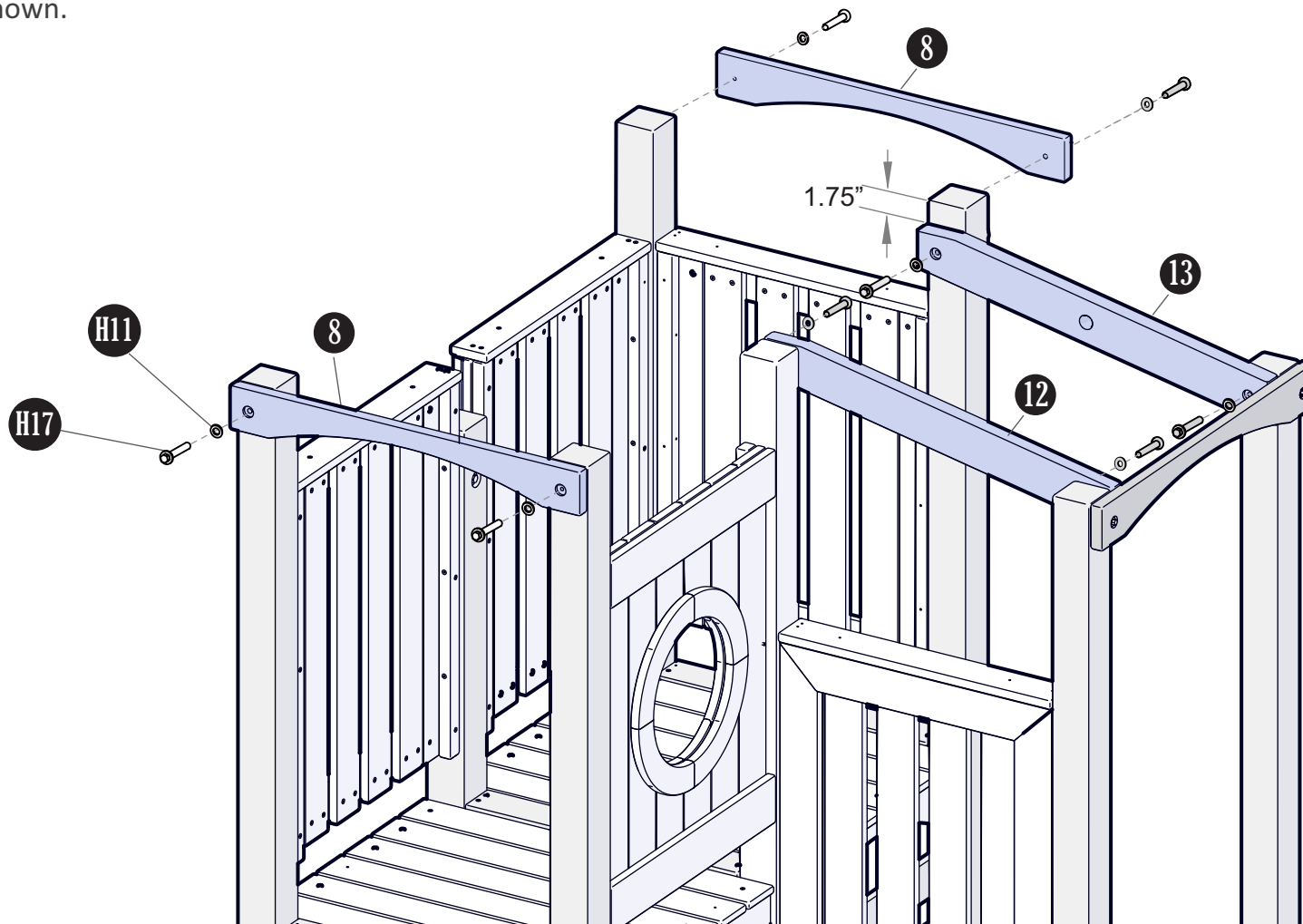
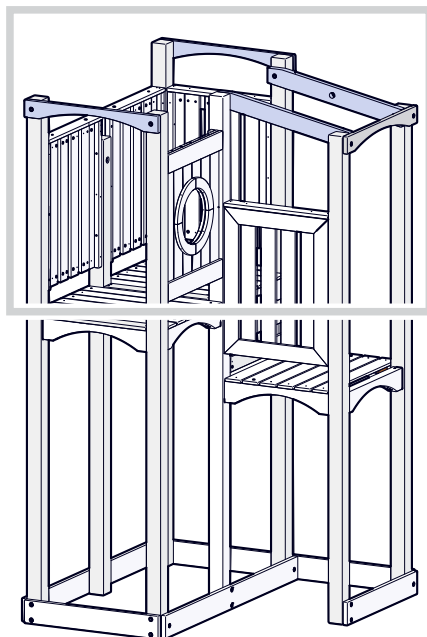


H11

PG-HW-W003
(8)

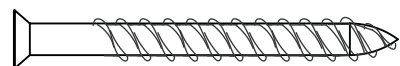
STEP 21:

Attach parts **8,10,12 & 13** as shown.



PARTS REQUIRED

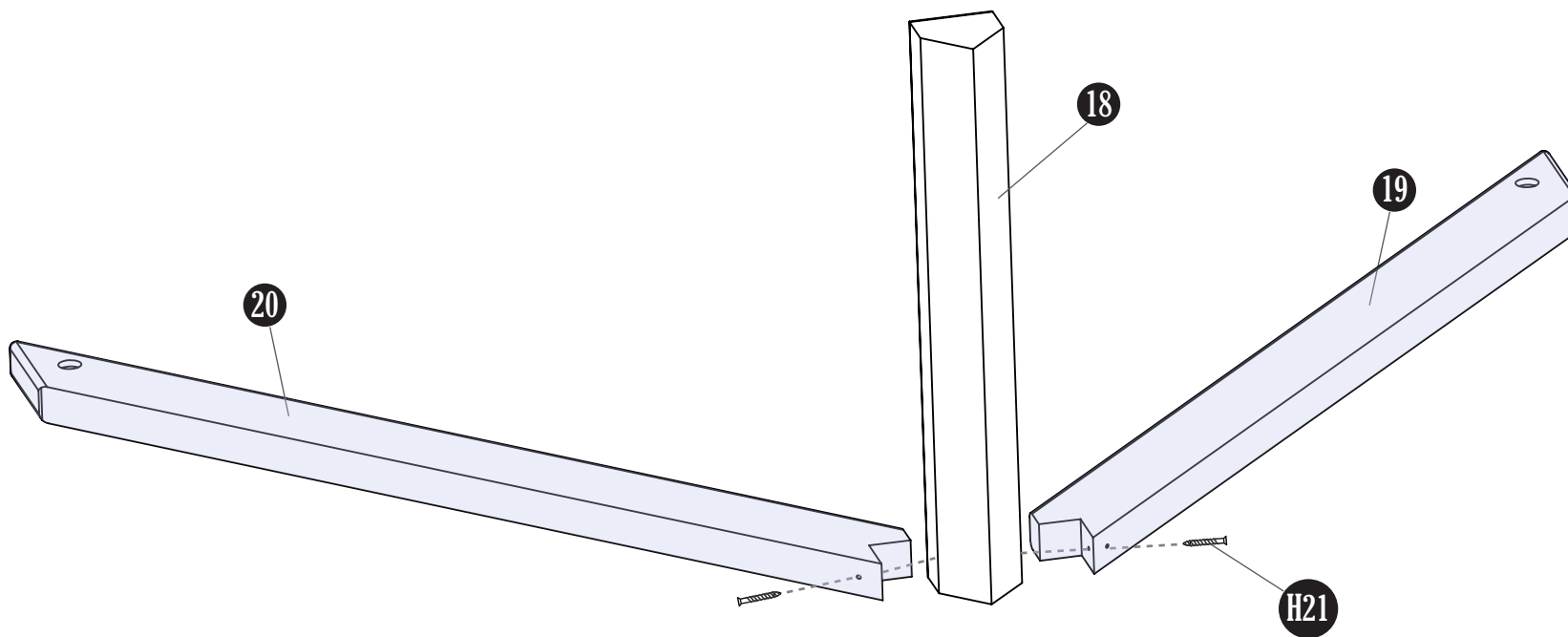
- 18 ROOF CAP (1)
- 19 UPPER ROOF RAFTER RIGHT (1)
- 20 UPPER ROOF RAFTER LEFT (1)



- H21 #8X2'' FLAT HEAD WOOD SCREW
PG-HW-S004
(2)

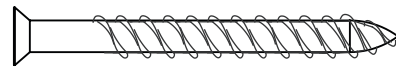
STEP 22:

Attach Rafters (#19 & #20) to Roof Cap (#18) as shown.



PARTS REQUIRED

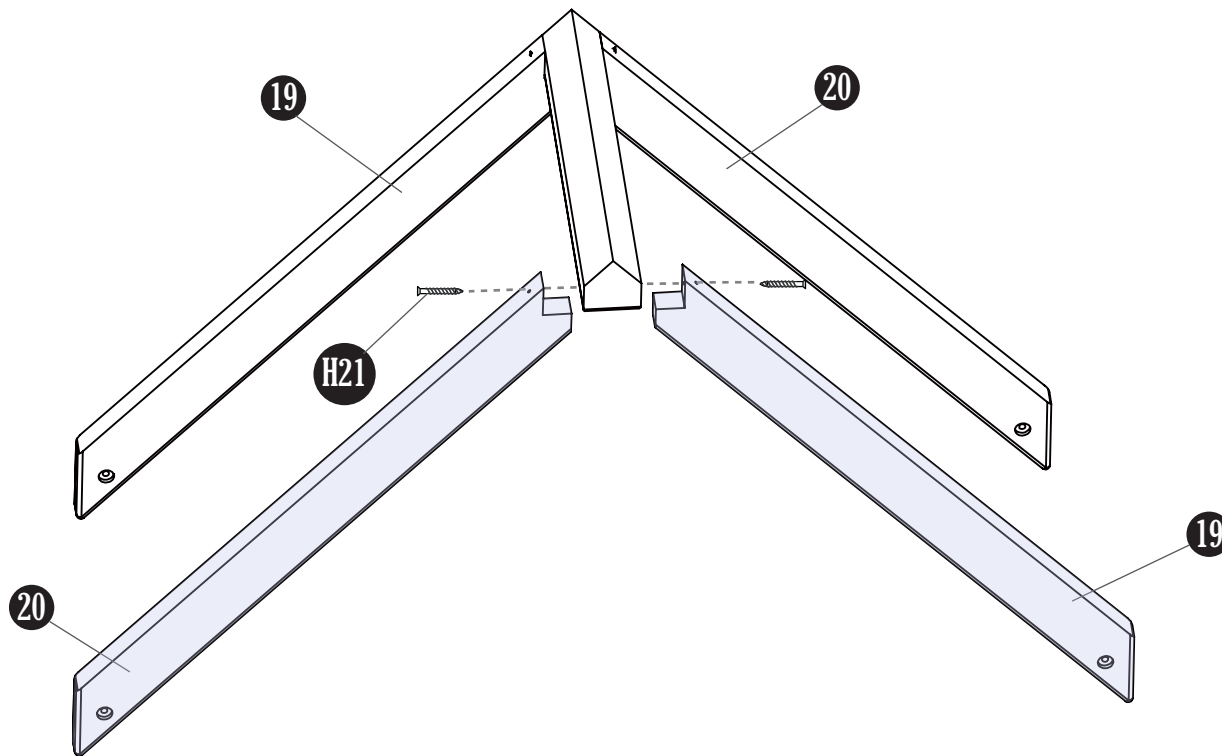
- 19 UPPER ROOF RAFTER RIGHT (1)
- 20 UPPER ROOF RAFTER LEFT (1)



- H21 #8X2'' FLAT HEAD WOOD SCREW
PG-HW-S004
(2)

STEP 23:

Attach remaining Rafters (#19 & #20)
to Roof Cap (#18) as shown.

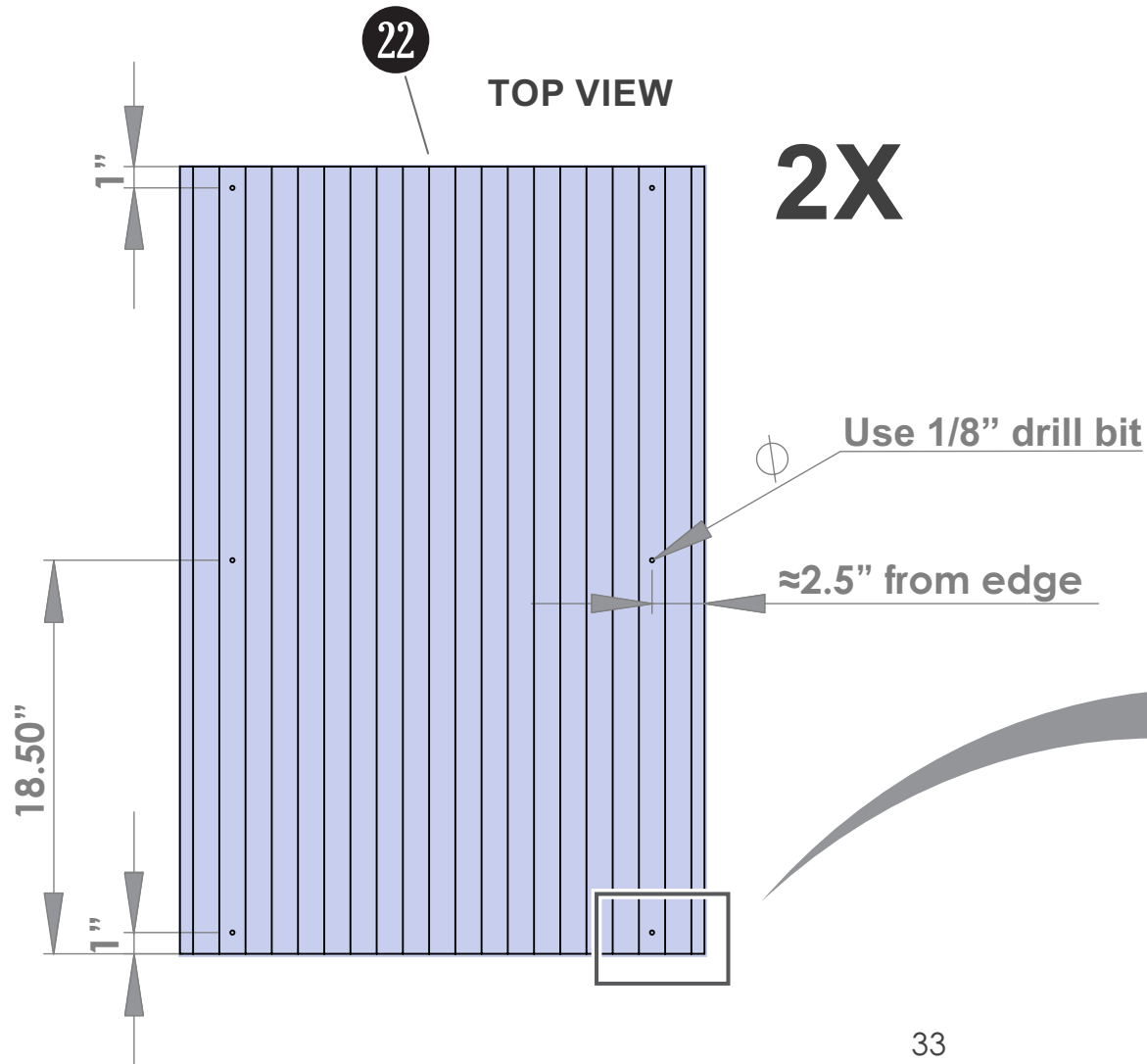


STEP 24: Lay Lower Roof on a clean and flat surface.

STEP 25: Use the illustrations below to locate where to drill the holes.

Using a 1/8" drill bit drill 6 holes total. **Repeat steps 27 & 28 for the second Lower roof.**

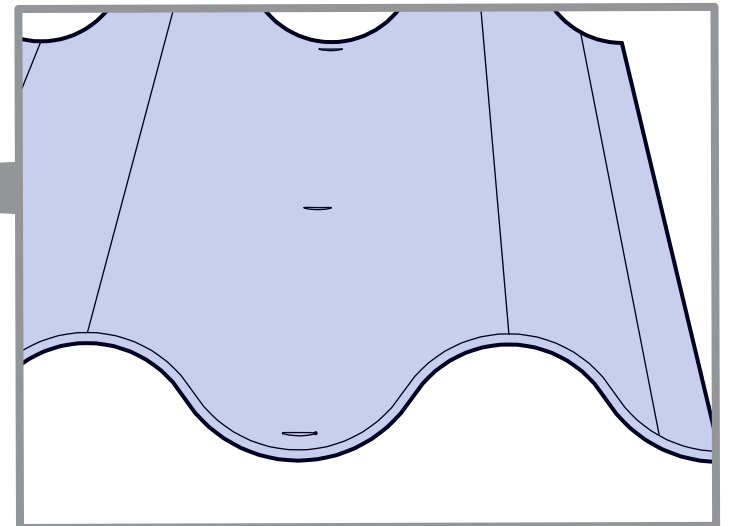
NOTE: Keep drill straight while drilling.



PARTS REQUIRED

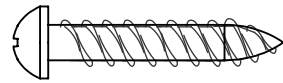
22 ROOF
PG-AC-0038
(2)

DETAIL

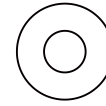


PARTS REQUIRED

22 ROOF
PG-AC-0038
(2)



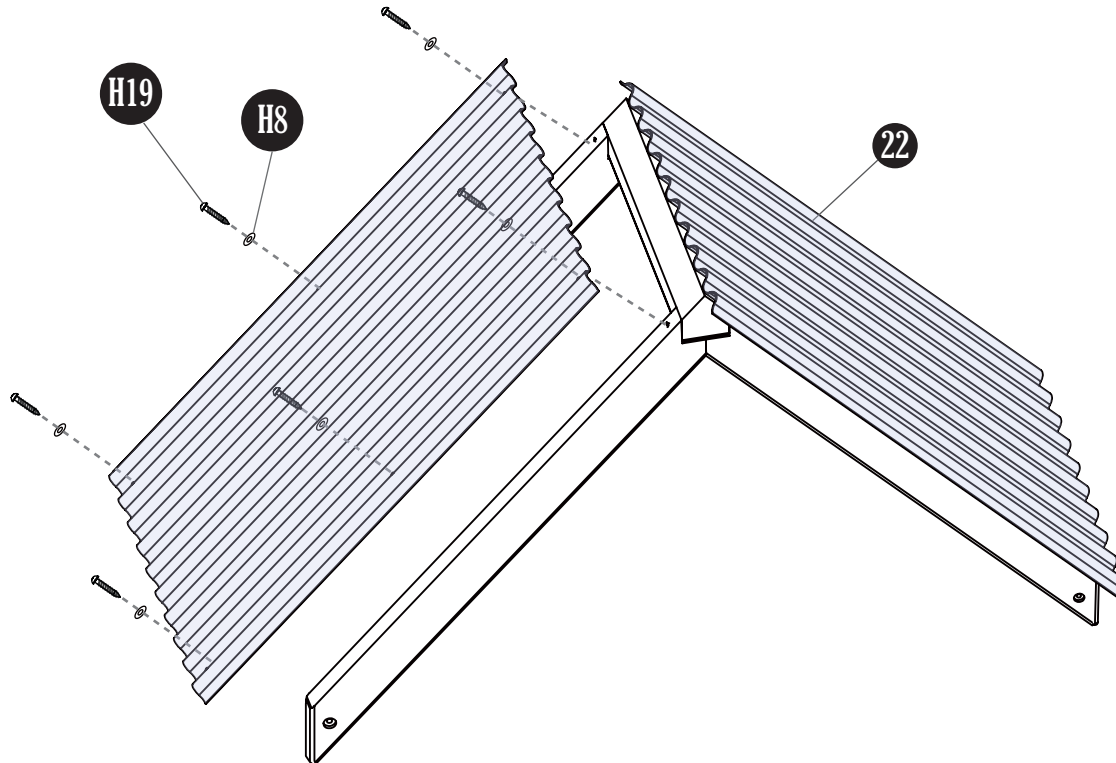
H19 #10 X 1.25" ROUND HEAD SCREW
PG-HW-S002
(12)



H8 #10 FLAT WASHER
PG-HW-W001
(12)

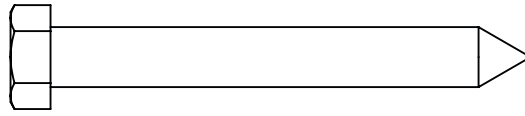
STEP 26:

Attach Roof #22 as shown.

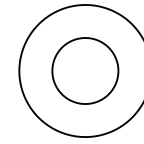


PARTS REQUIRED

Roof assembly from the previous step.



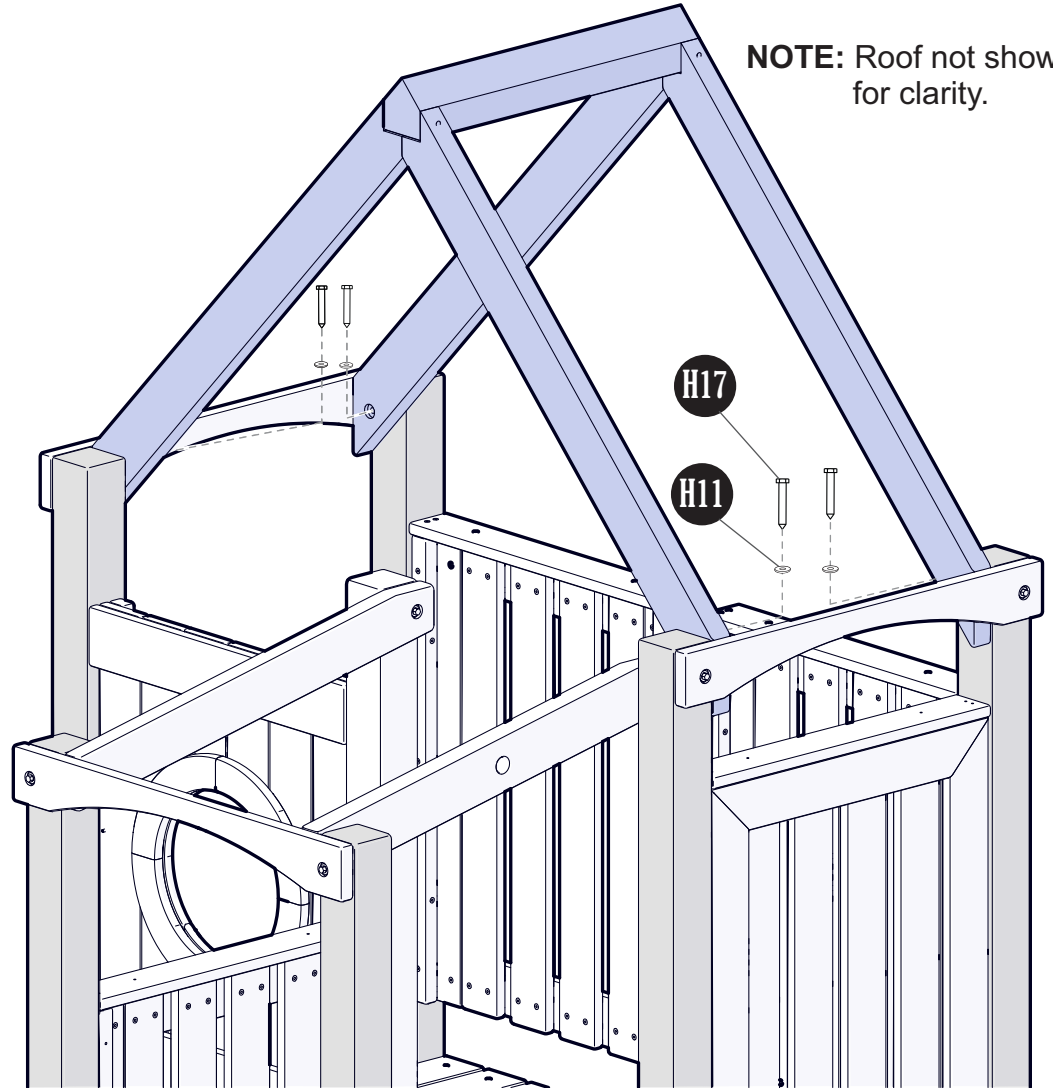
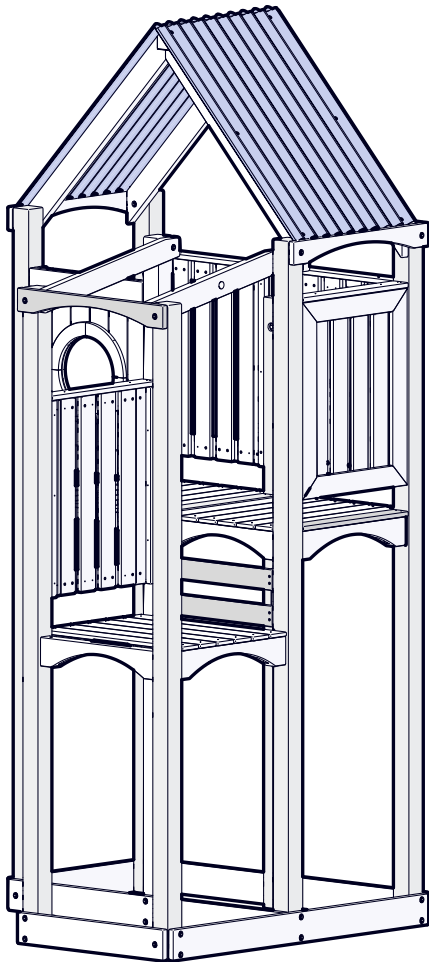
H17 5/16" x 2.5" HEX LAG SCREW
PG-HW-L003
(4)



H11 5/16" FLAT WASHER
PG-HW-W003
(4)

STEP 27:

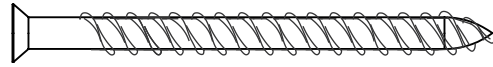
Attach Roof Assembly from the previous step as shown.



NOTE: Roof not shown for clarity.

PARTS REQUIRED

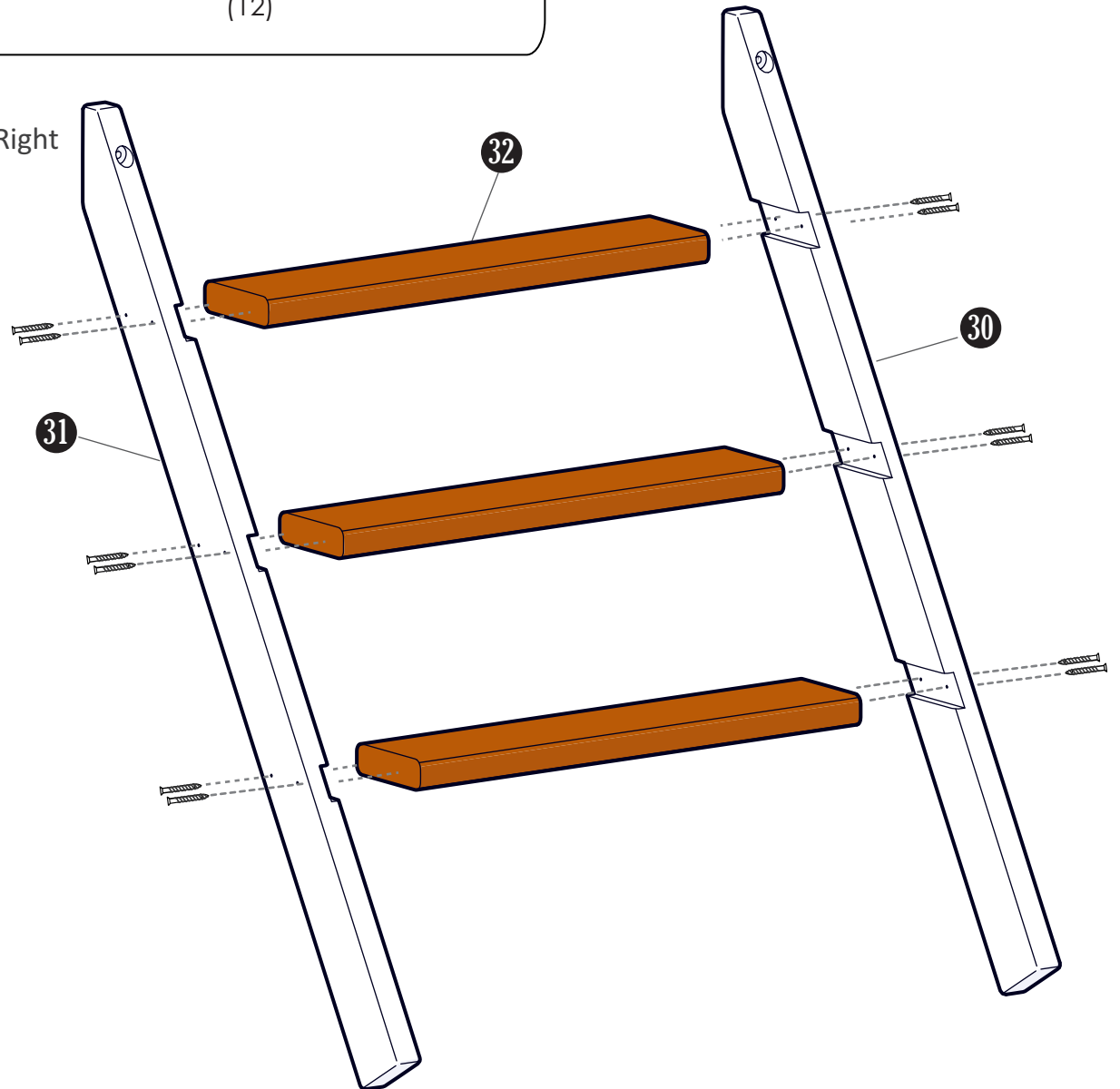
- 30** LADDER LEG RIGHT (1)
- 31** LADDER LEG LEFT (1)
- 32** LADDER STEP (3)



H22 #8 X 2" 1/2 PH FLAT HD WDSCRW
PG-HW-S009
(12)

STEP 28:

Center and attach the Ladder Steps #32 to the Right #30 & Left #31 Legs using two H22 as shown.



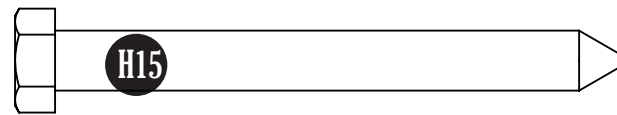
PARTS REQUIRED

LADDER ASSEMBLY
(Assembled in previous page)

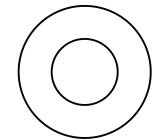
52 HANDLE
PG-AC-0049
(2)

STEP 29:

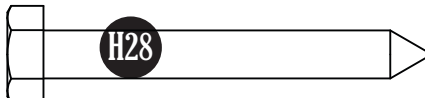
Attach the Ladder Assembly to the Corner Posts using two **H11** & **H15** as shown.



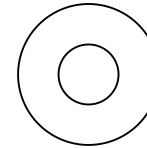
H15
5/16" X 3" HEX LAG SCREW
PG-HW-L004
(2)



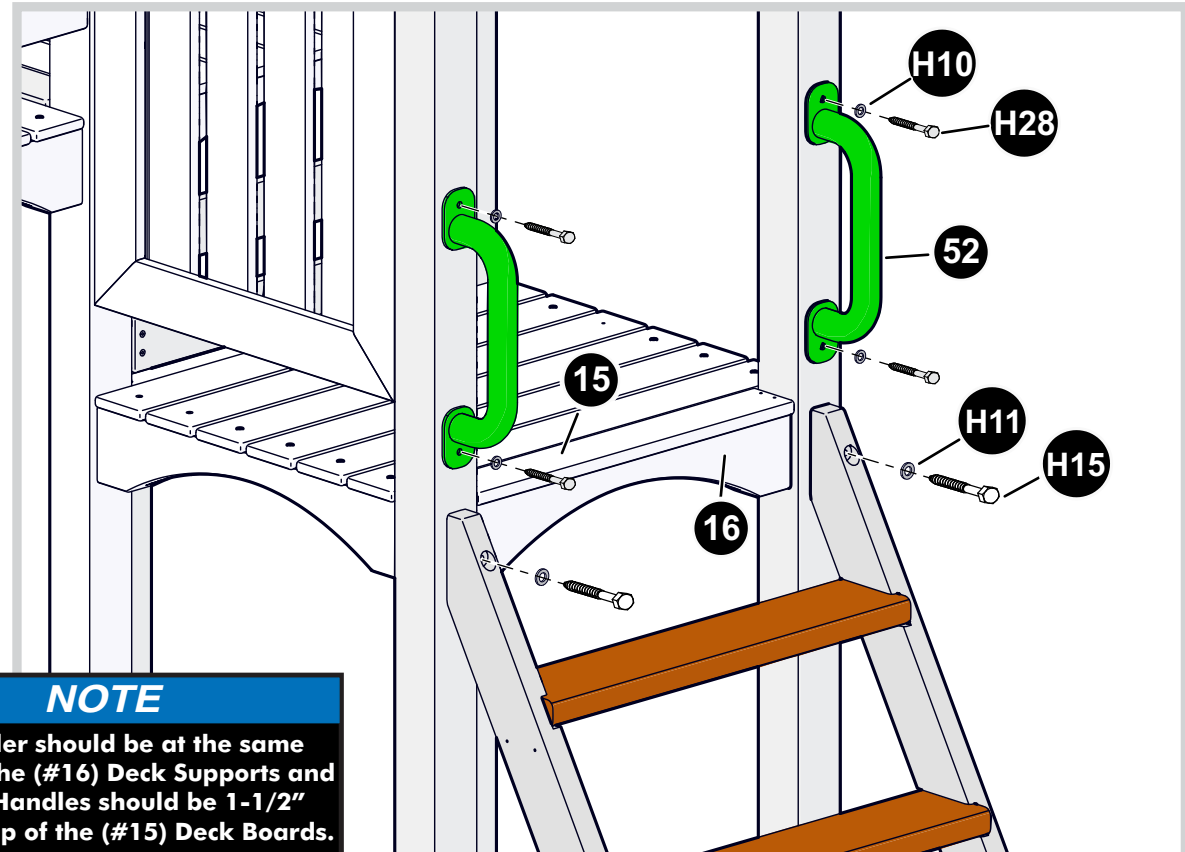
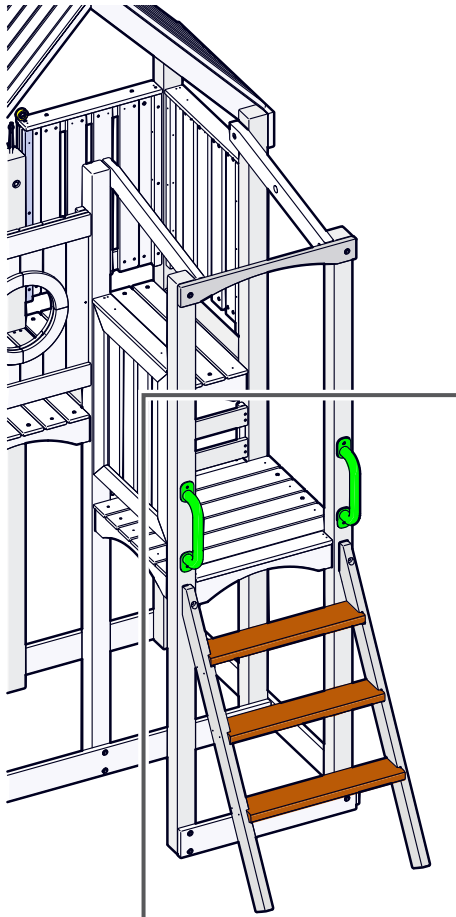
H11
5/16" FLAT WASHER
PG-HW-W003
(2)



H28
1/4" x 2" HEX LAG SCREW
PG-HW-L022
(4)



H10
1/4" Washer
PG-HW-W002
(4)



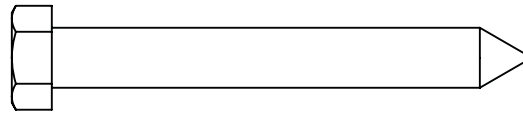
NOTE

Top of ladder should be at the same height as the (#16) Deck Supports and bottom of Handles should be 1-1/2" from the top of the (#15) Deck Boards.

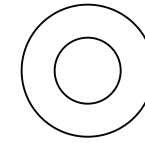
PARTS REQUIRED

36 Slide Base Block
PG-26-0032
(2)

38 Slide Side
PG-23-0002
(2)



H17 5/16" x 2.5" HEX LAG SCREW
PG-HW-L003
(4)

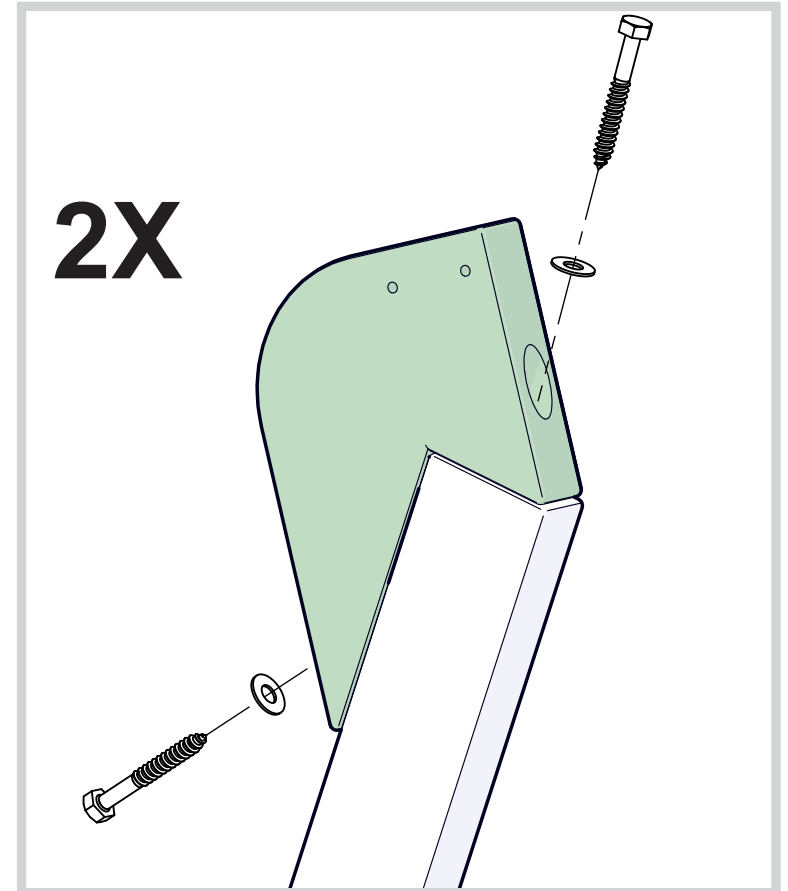
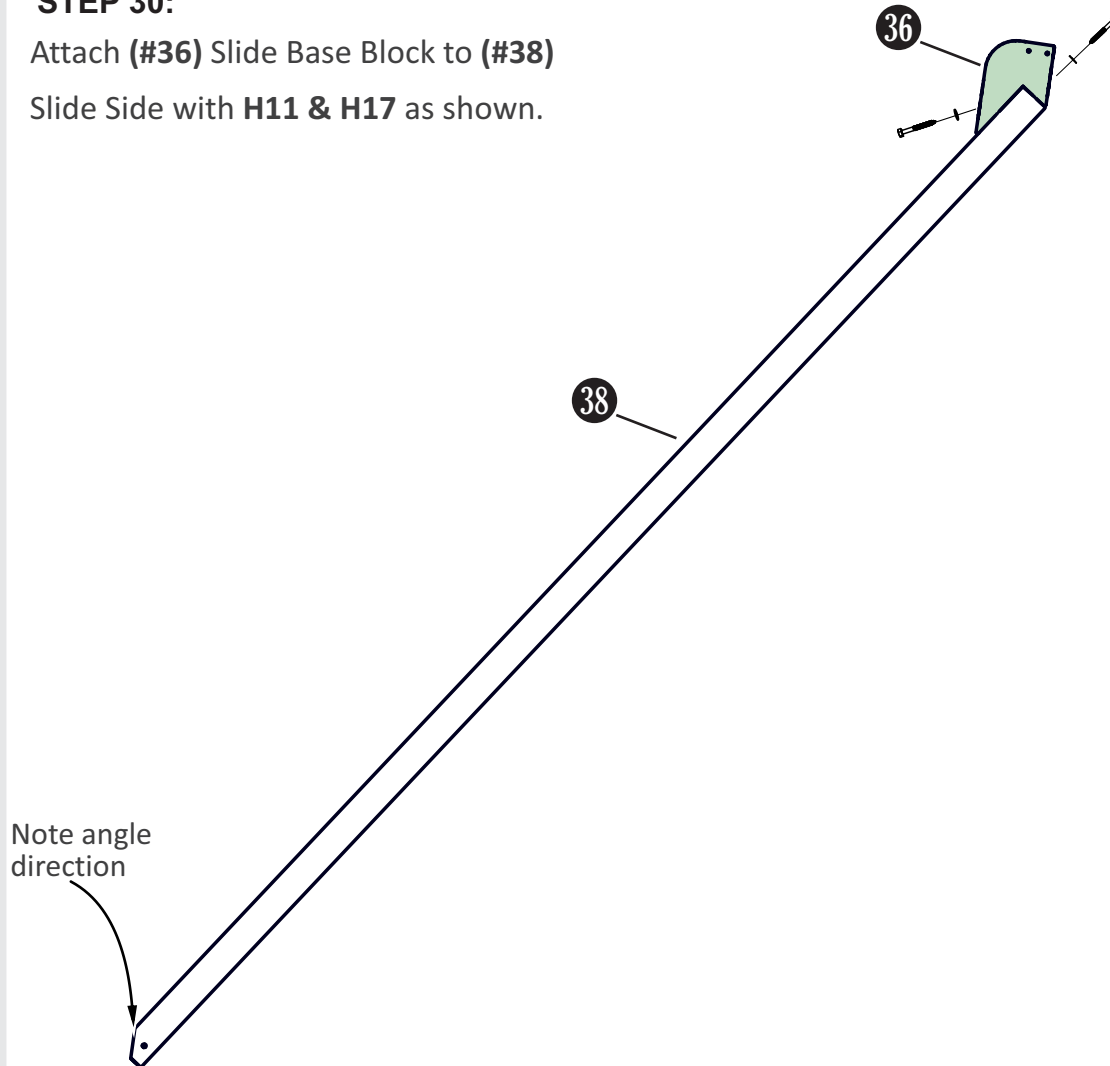


H11 5/16" FLAT WASHER
PG-HW-W003
(4)

STEP 30:

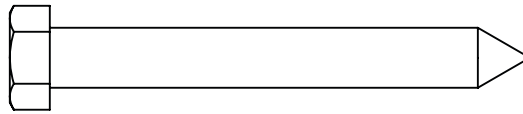
Attach **(#36)** Slide Base Block to **(#38)**

Slide Side with **H11 & H17** as shown.

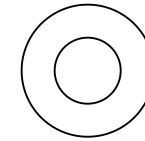


PARTS REQUIRED

2X - SLIDE SIDE ASSEMBLY
(Assembled in previous page)



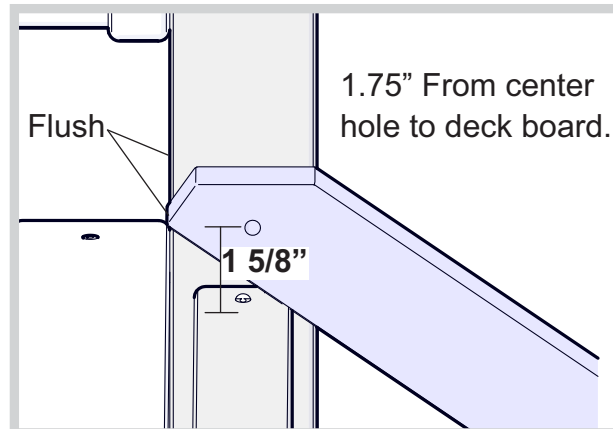
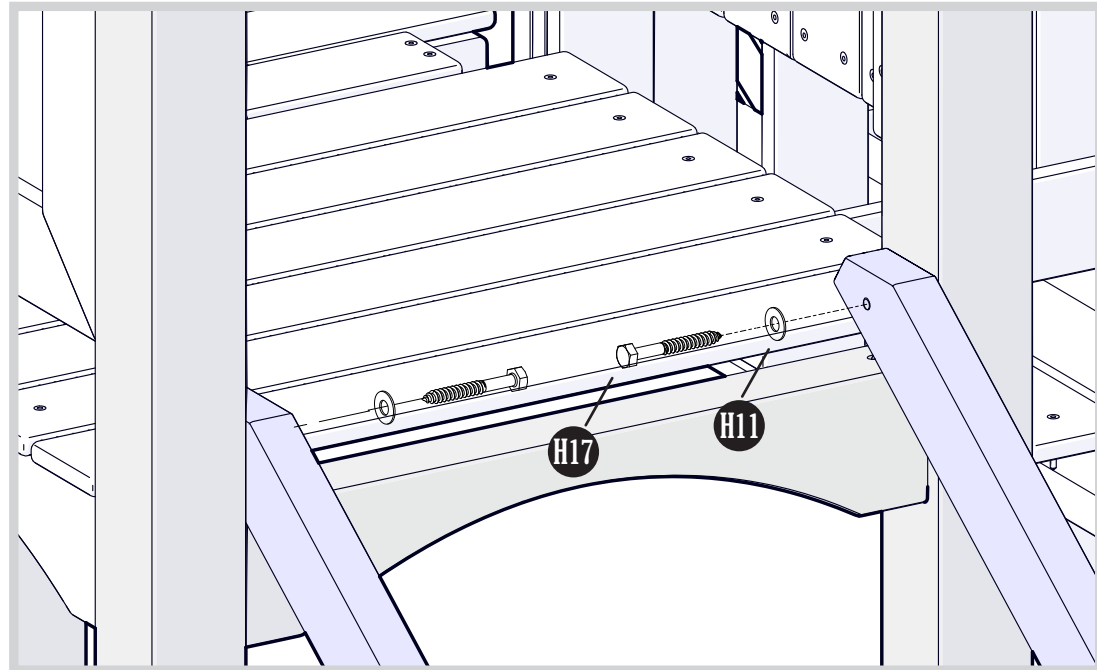
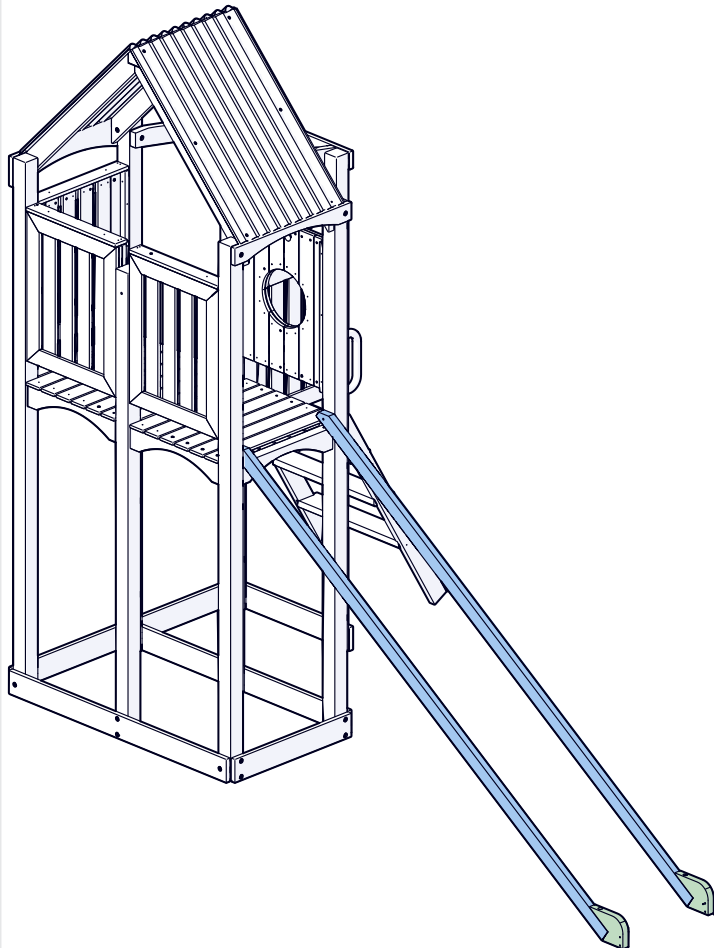
H17 5/16" x 3.5" HEX LAG SCREW
PG-HW-L020
(2)



H11 5/16" FLAT WASHER
PG-HW-W003
(2)

STEP 31:

Attach **two** Slide Side assemblies to inside of
Corner Posts with **H11 & H17** as shown.

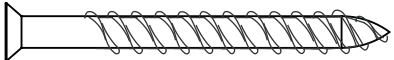


SIDE VIEW

PARTS REQUIRED

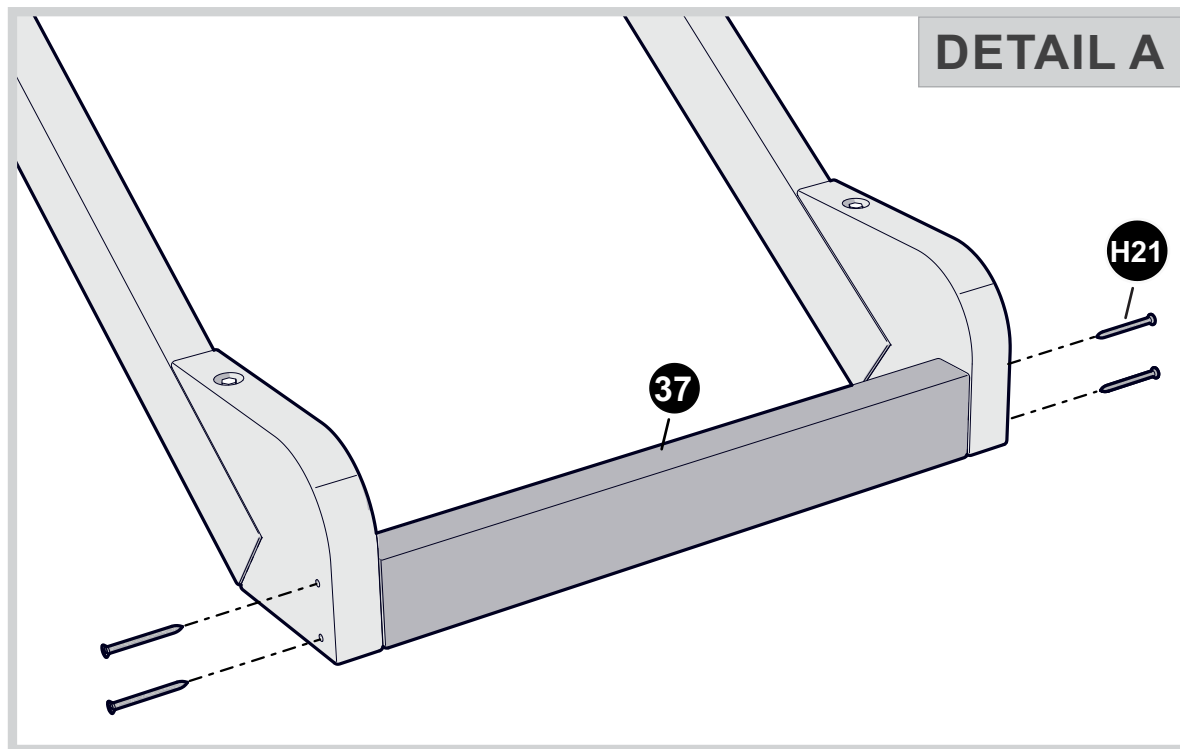
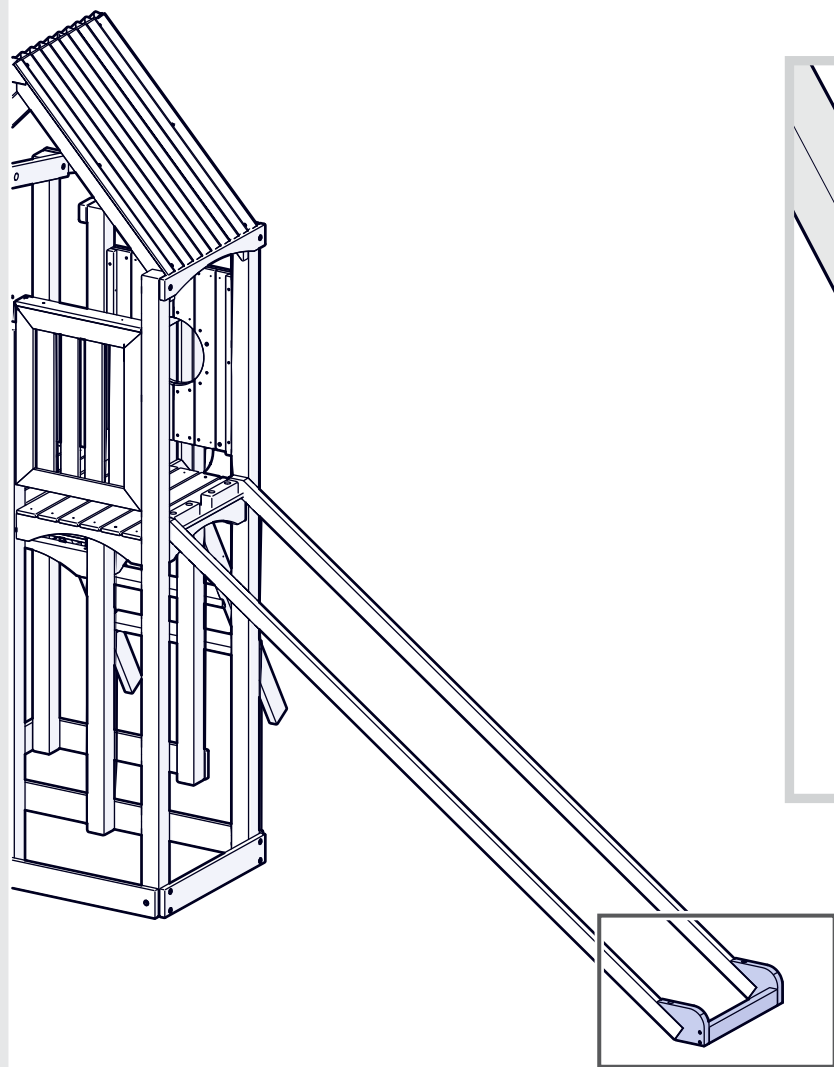
37 SLIDE SPACER
PG-23-0004
(1)

H21


#8X2" FLAT HEAD WOOD SCREW
PG-HW-S004
(4)

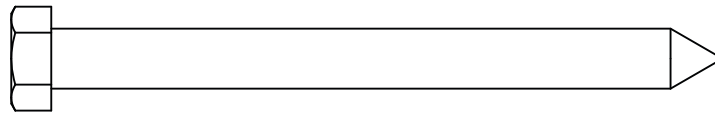
STEP 32:

Attach **(#37)** Slide Spacer to Slide Side assemblies with **H21** as shown.



PARTS REQUIRED

- 34 2X - SLIDE UPPER SPACER
- 21 SLIDE SUPPORT CENTER
- 35 SLIDE BASE BLOCK CENTER

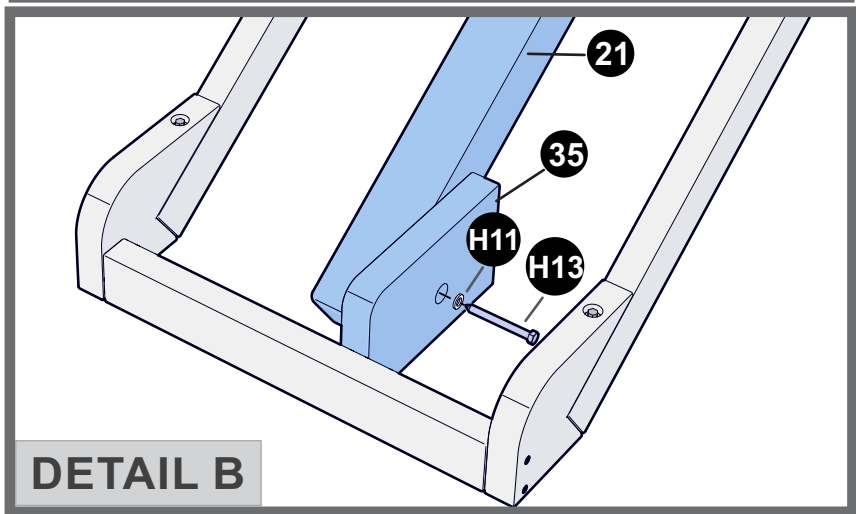
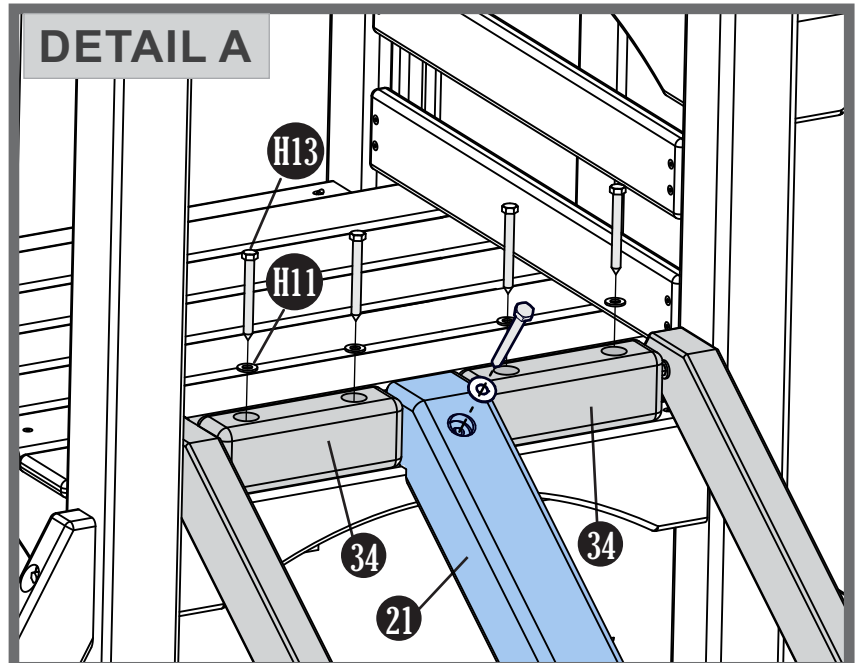
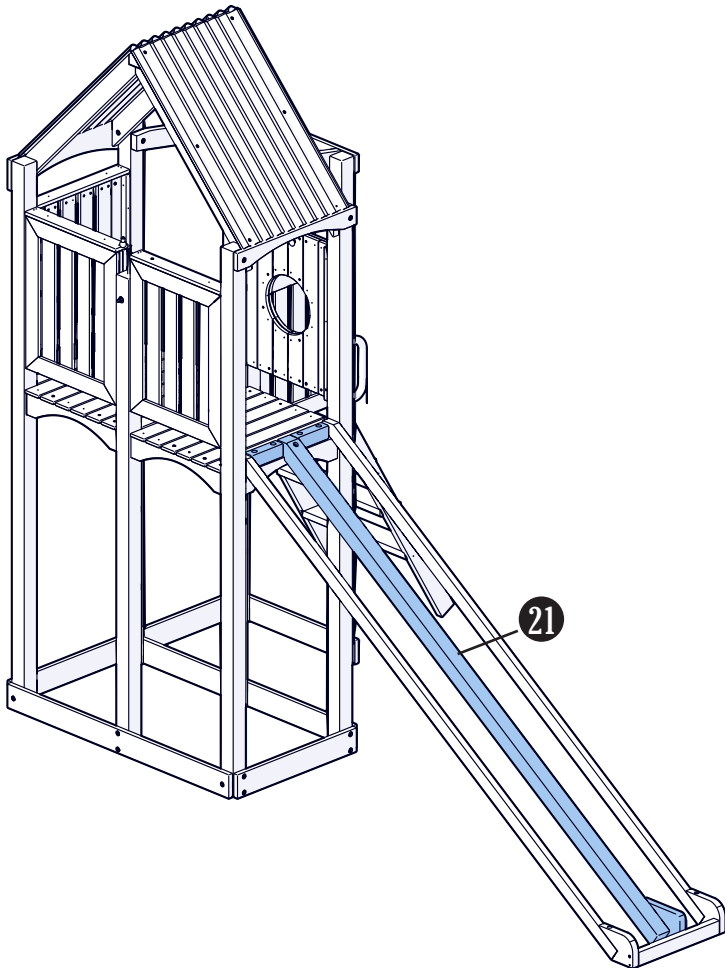


H13 5/16" x 3.5" HEX LAG SCREW
PG-HW-L020
(6)

H11 5/16" FLAT WASHER
PG-HW-W003
(6)

STEP 33:

Place Support Center (#57) and one Upper Spacer (#56) on each side. Center the parts in between the Slide Sides and attach with (H11) & (H17).



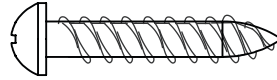
PARTS REQUIRED

39

SLIDE PLASTIC SHEET

3M-9144-00

(1)

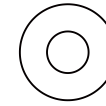


H19

#10 X 1.25" ROUND HEAD SCREW

PG-HW-S002

(3)



H8

#10 FLAT WASHER

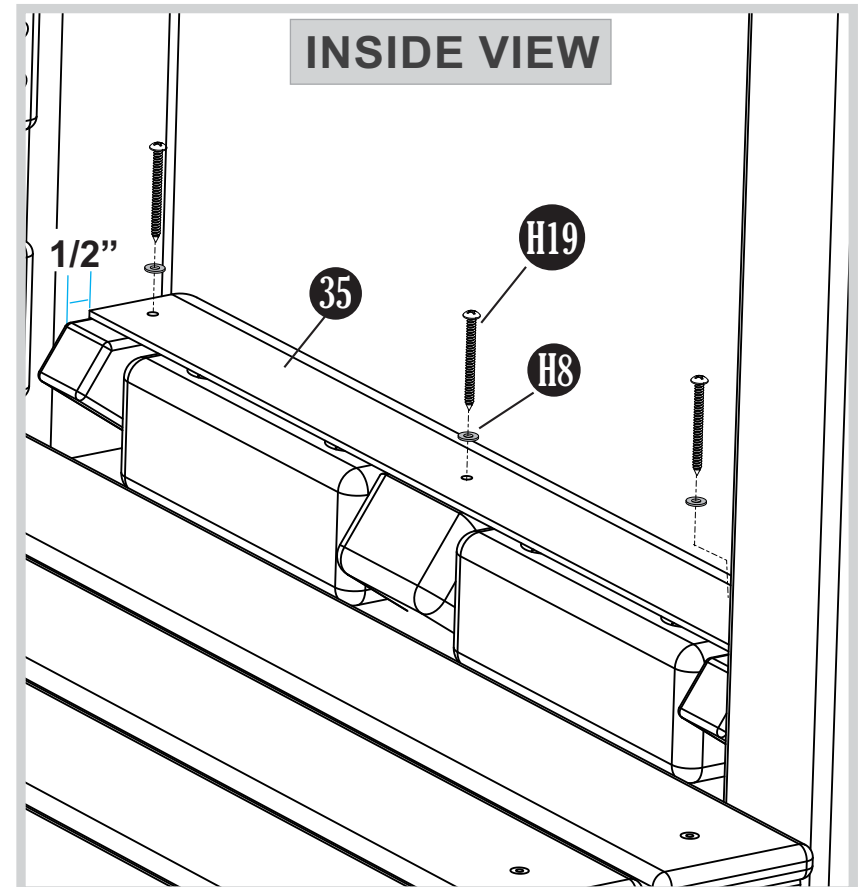
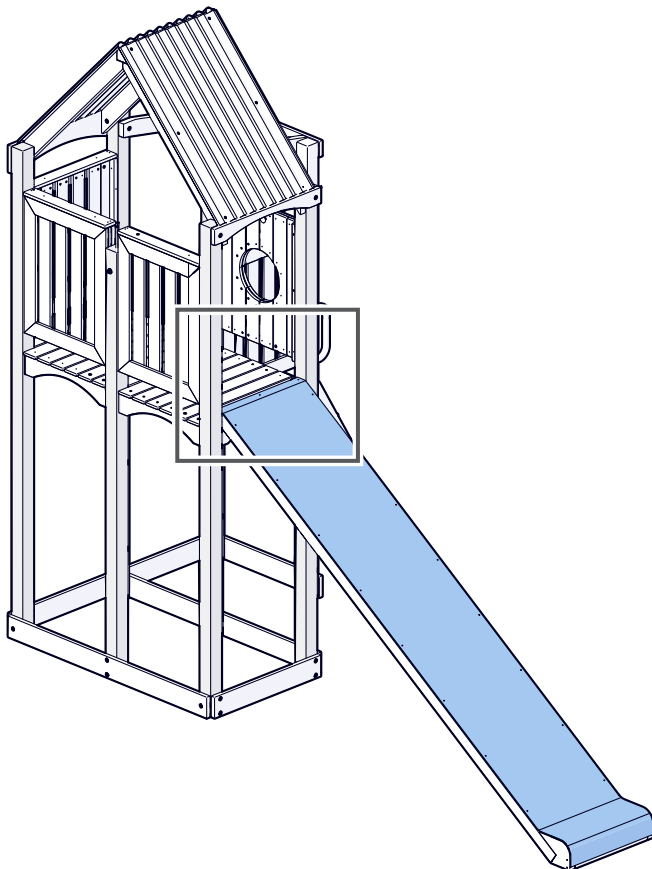
PG-HW-W001

(3)

STEP 34:

Attach (#35) Slide Sheet to Slide Side assemblies with screw as shown.

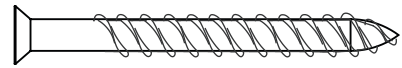
NOTE: Leave about 1/2" from the top end of the slide sides when attaching (#35). See illustration below.



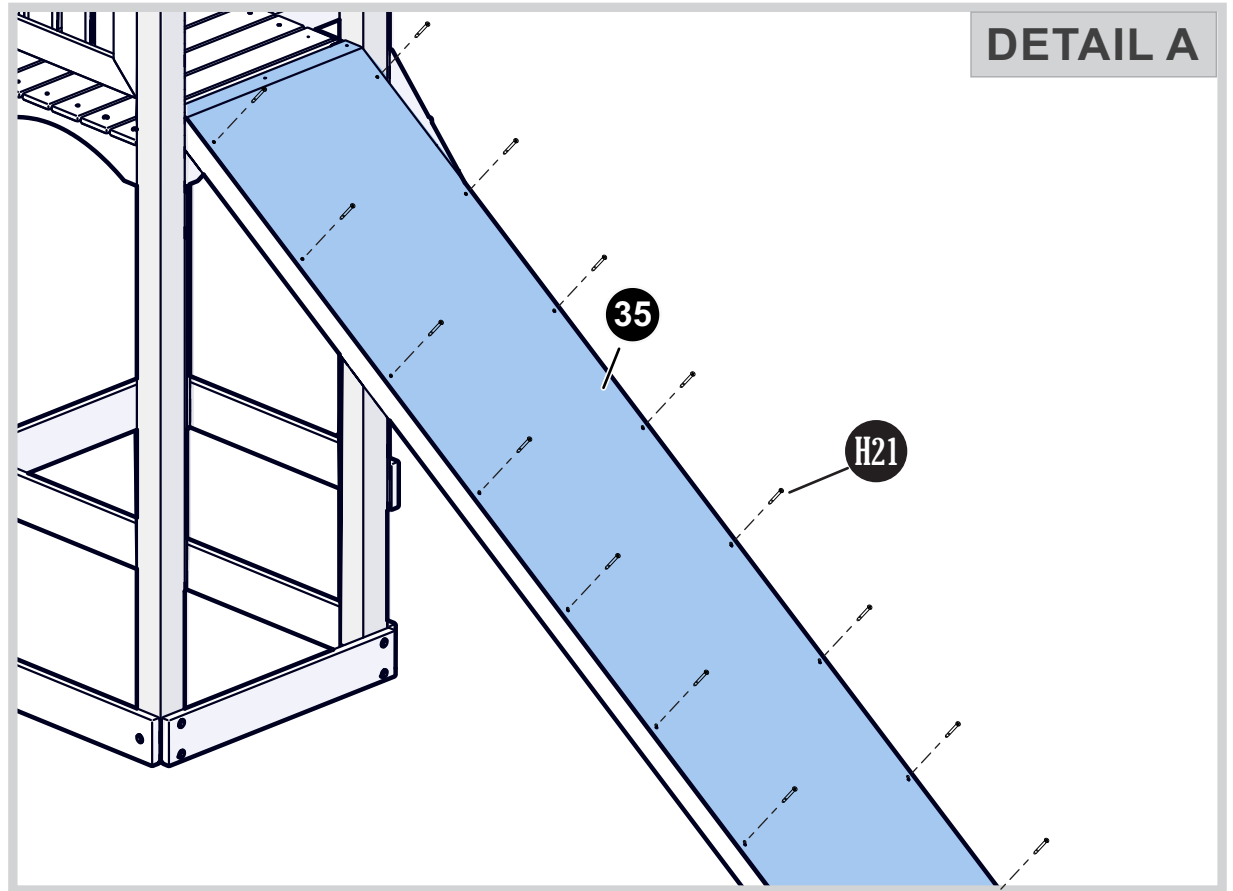
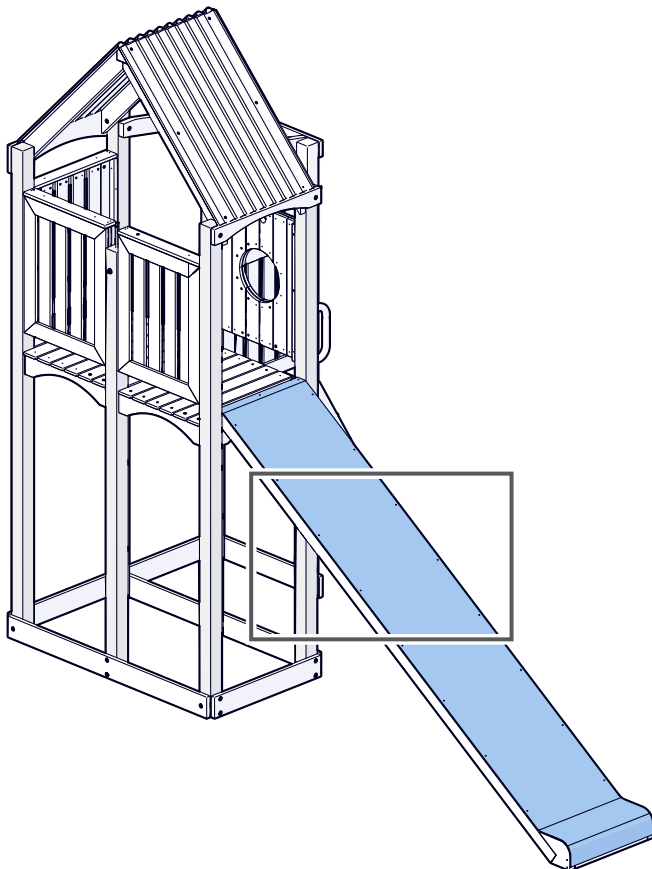
STEP 35:

Secure middle section of the Slide Sheet (**#35**) to the Slide Side assemblies with **H21** as shown.

H21

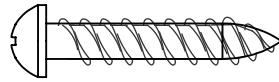


#8X2" FLAT HEAD WOOD SCREW
PG-HW-S004
(16)

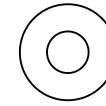


STEP 36:

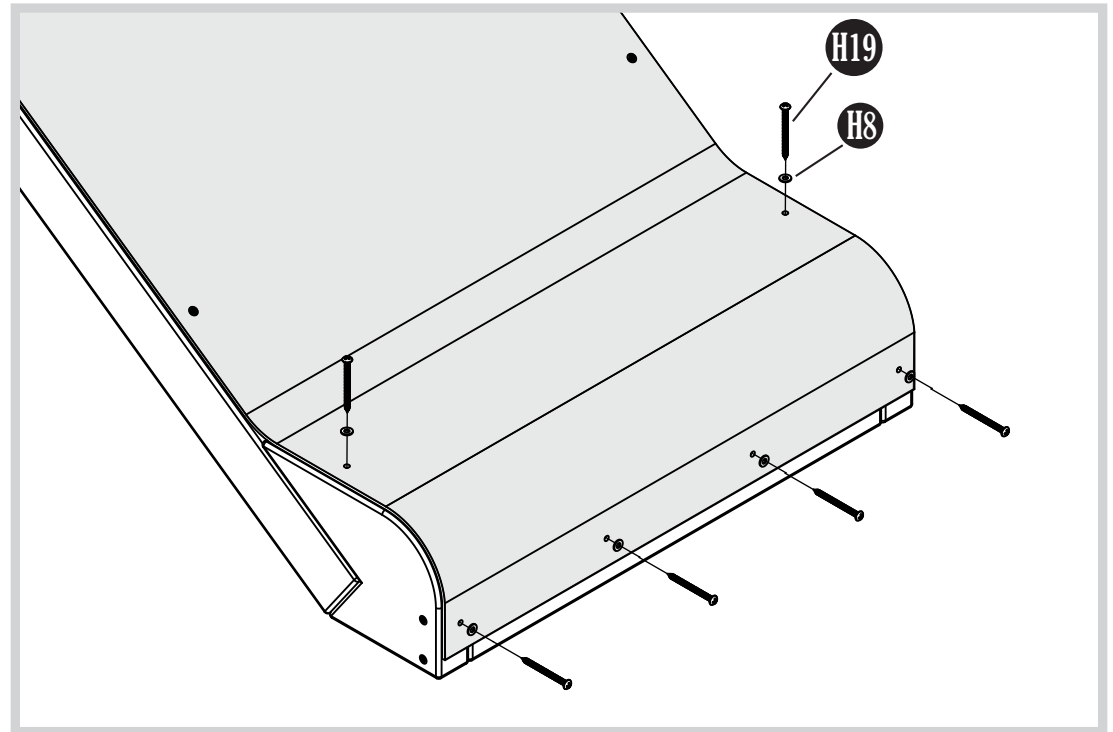
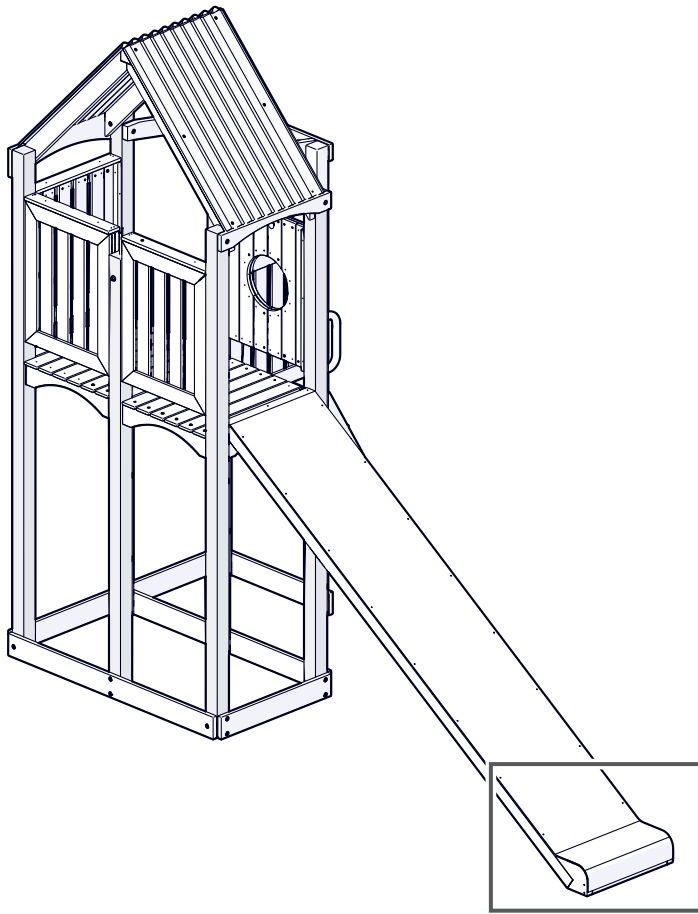
Secure Bottom section of (#35) Slide Sheet to Slide Side assemblies and Slide Spacer with screws and Washers as shown.



H19 #10 X 1.25" ROUND HEAD SCREW
PG-HW-S002
(6)



H8 #10 FLAT WASHER
PG-HW-W001
(6)

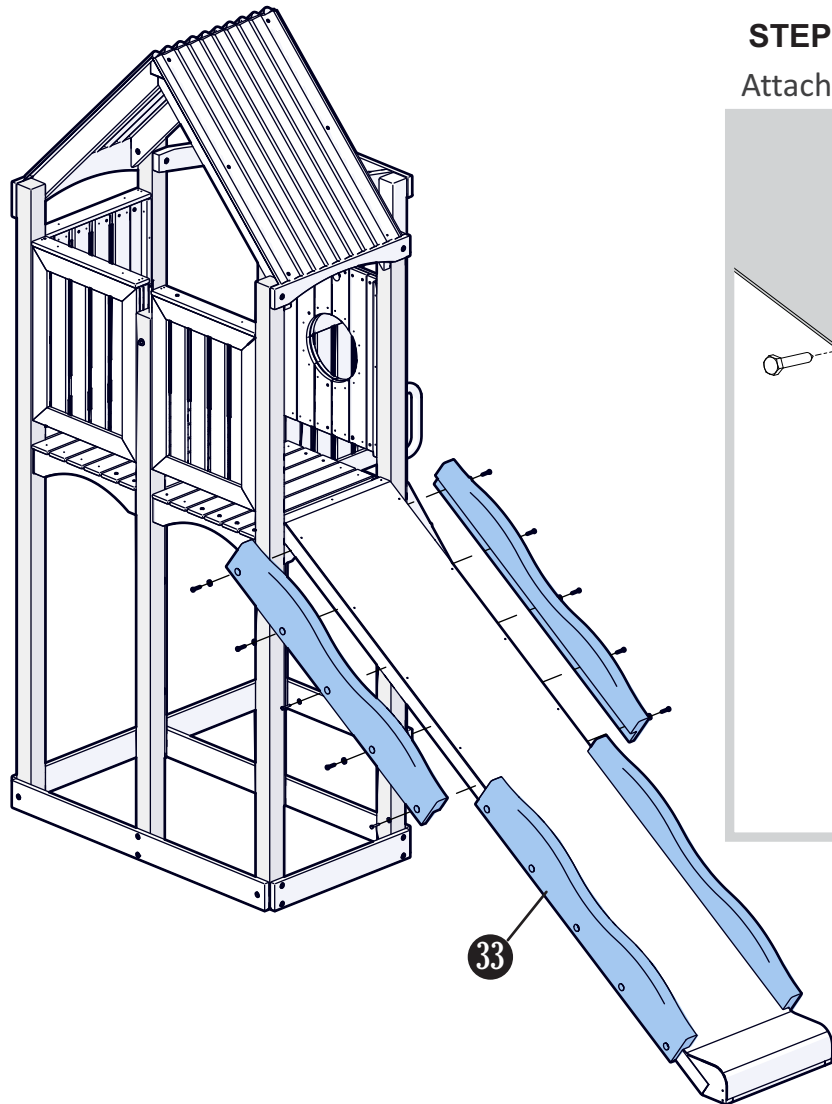


PARTS REQUIRED

33 Slide Rail
3M-9143-00
(4)

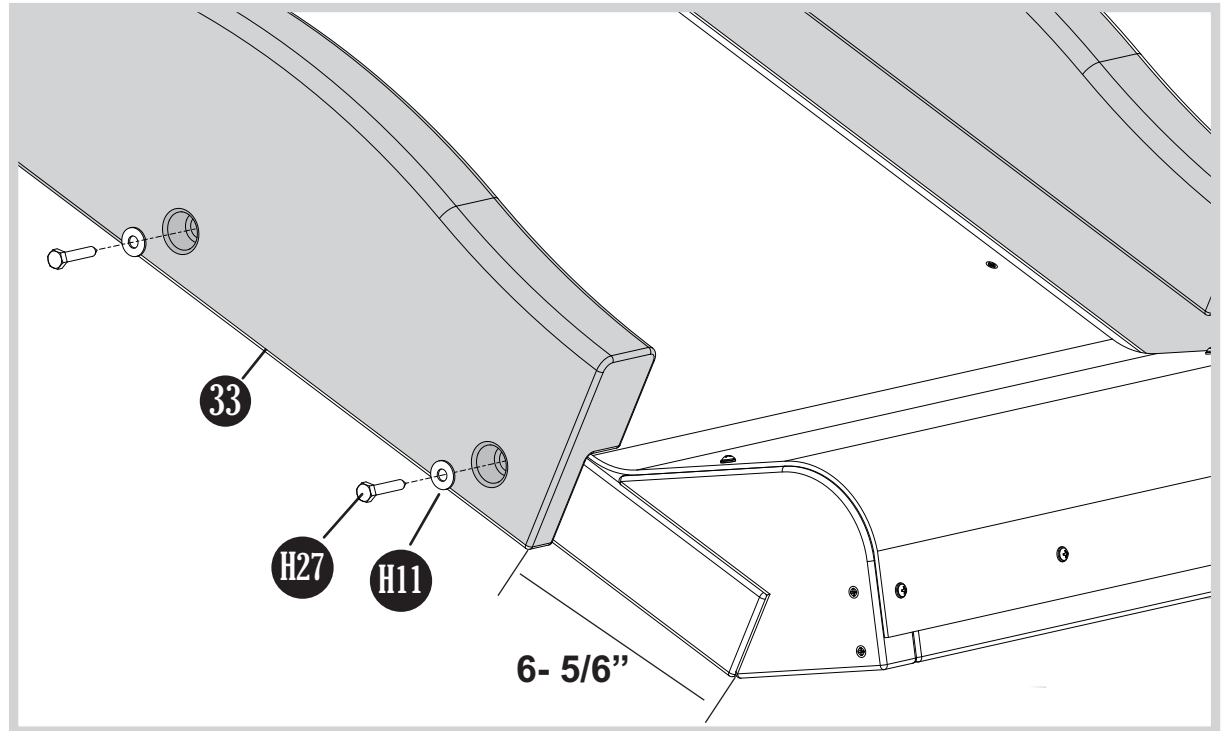
H11 5/16" FLAT WASHER
PG-HW-W003
(20)

H27 5/16" x 1.5" HEX LAG SCREW
PG-HW-L021
(20)



STEP 37:

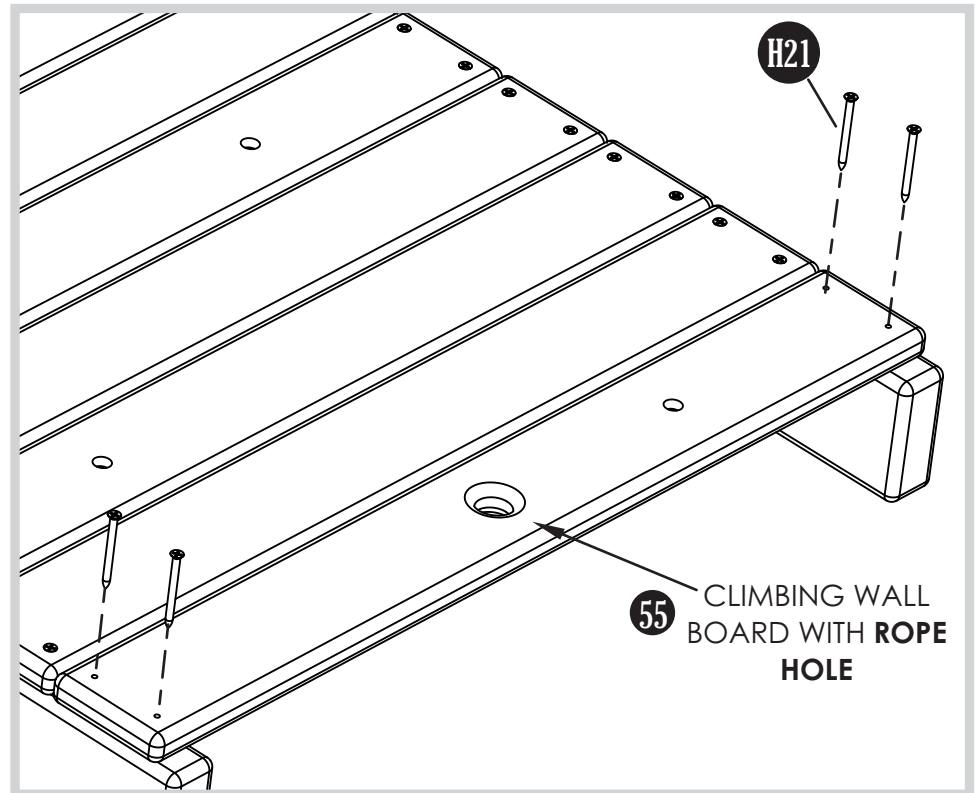
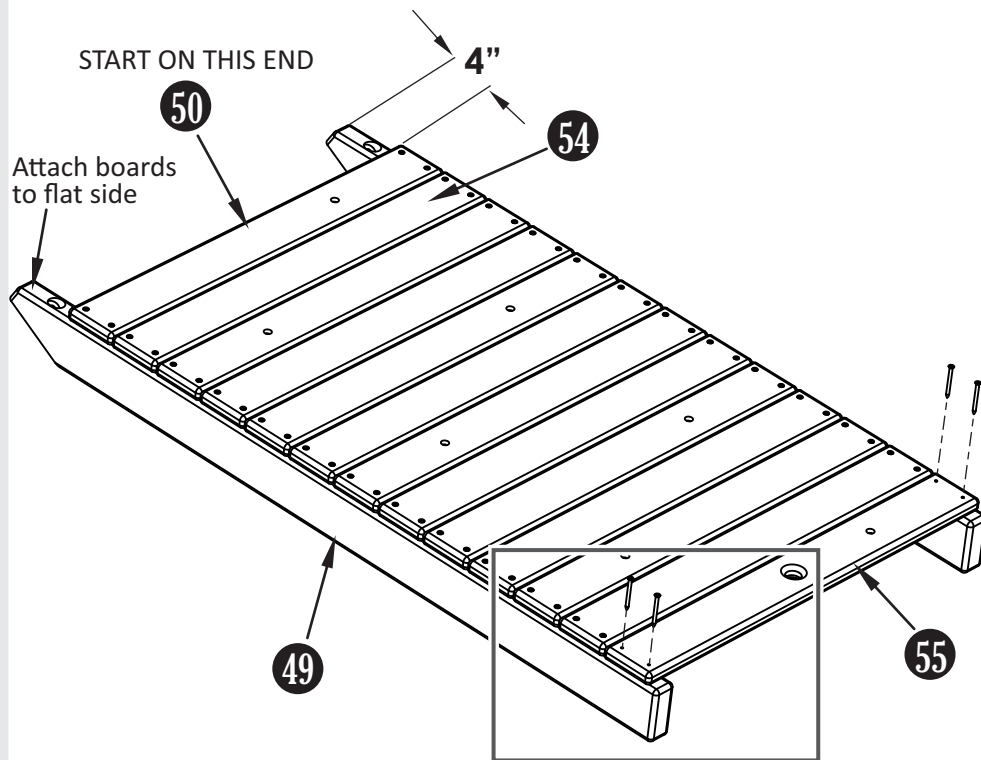
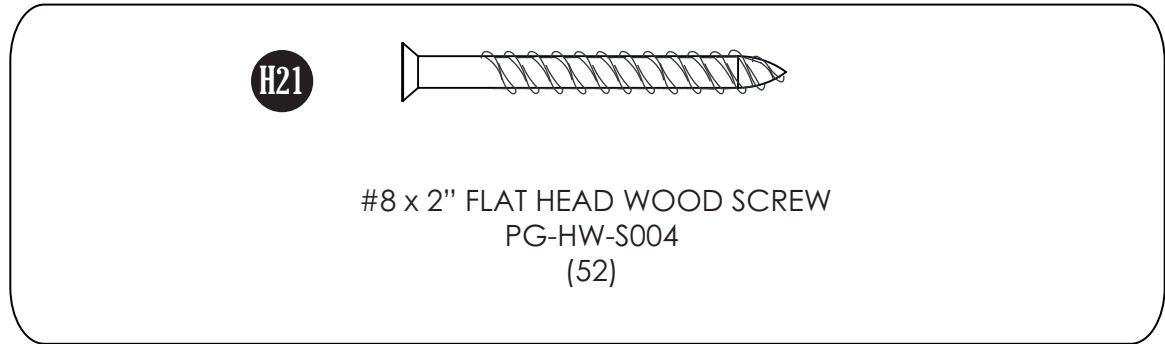
Attach Slide Rails (#33) to Slide Sides with Lag Screw and Washer as shown.

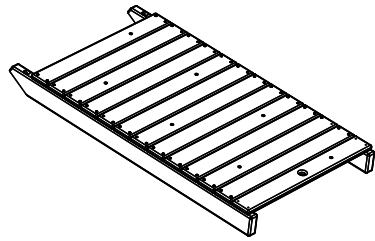


- 49 CLIMBING WALL LEG (2)
- 50 CLIMBING WALL BOARD WITH **ROCK** HOLE (6)
- 54 CLIMBING WALL BOARD WITH **NO** HOLE (6)
- 55 CLIMBING WALL BOARD WITH **ROPE** HOLE (1)

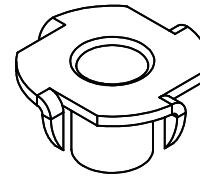
STEP 38:

On a flat surface lay two (#49) Climbing Wall Leg and attach six each of the (#50) & (#54) Wall Boards and one (#55) with H21 Screws as shown.





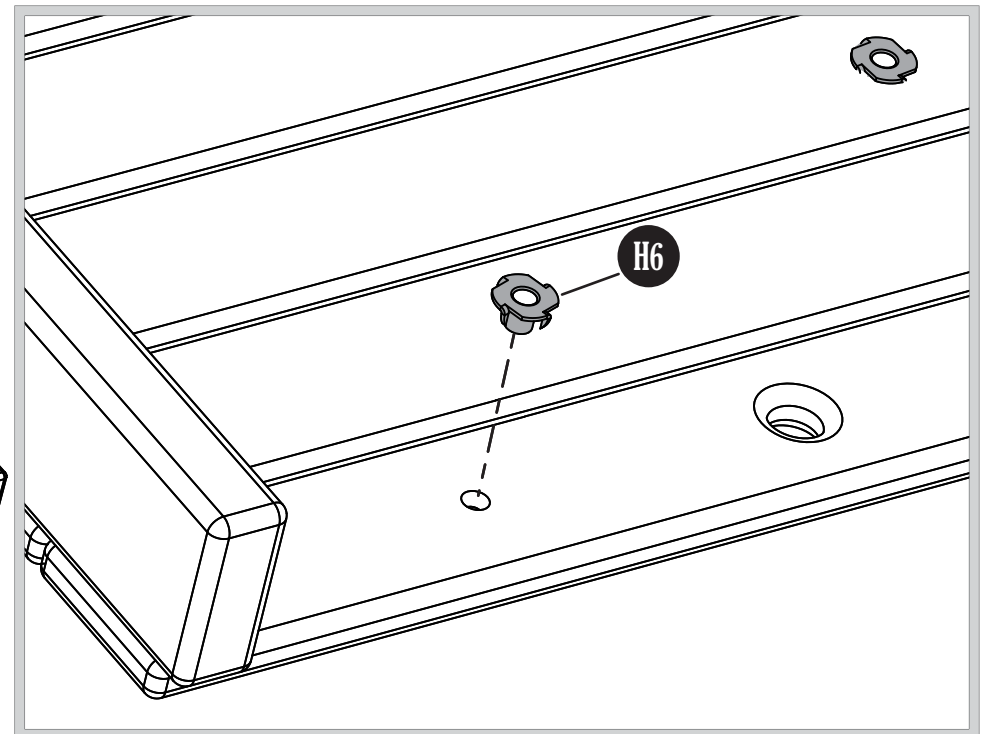
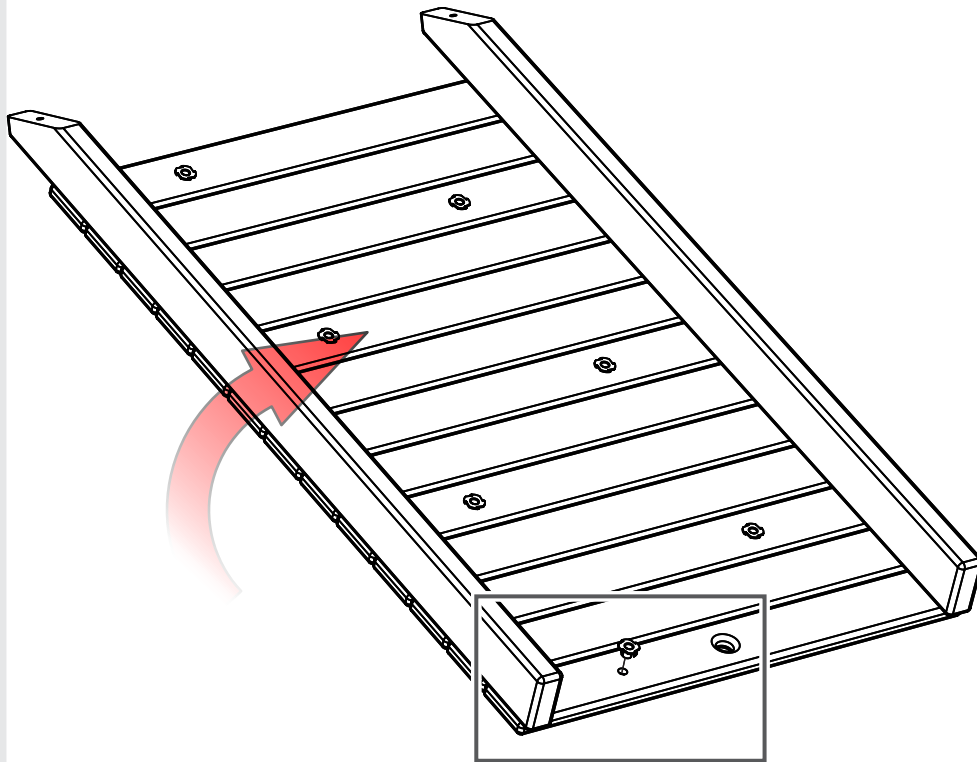
CLIMBING WALL (From previous step)
(1)



H6 3/8"-16 x 1/2" T-NUT
PG-HW-N002
(7)

STEP 39:

Flip Climbing Wall assembly over and attach the T-Nuts **H6** to Wall Boards with holes. Lightly tap with a rubber mallet until T-nut is secure on the board.

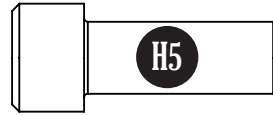




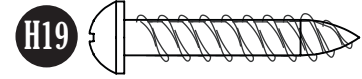
44

Rock Red
PG-AC-0044
(4)

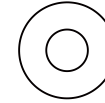
Rock Yellow
PG-AC-0044
(3)



3/8" x 1" SOCKET HEAD SCREW
PG-HW-B008
(7)



#10 x 1.25" ROUND HEAD SCREW
PG-HW-S002
(7)

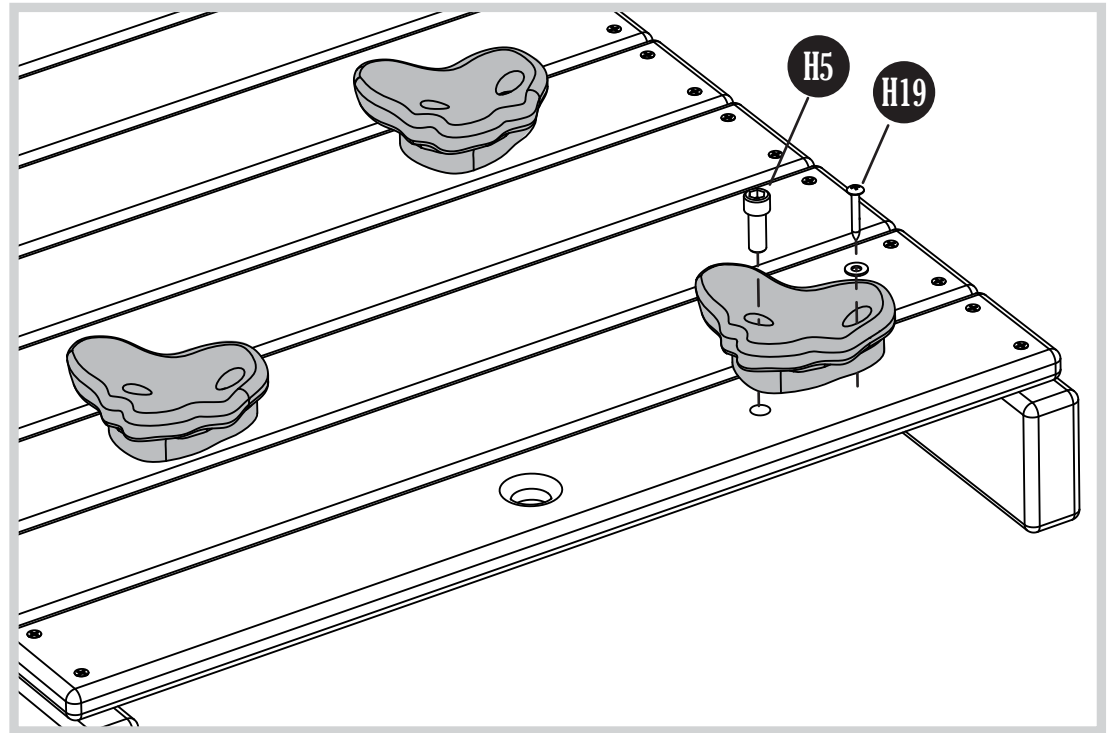
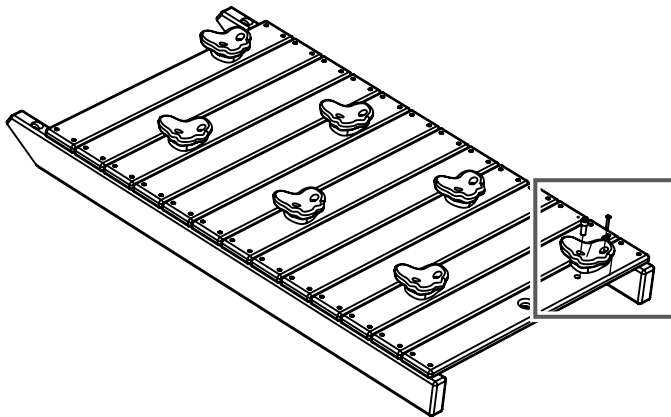


#10 FLAT WASHER
PG-HW-W001
(7)

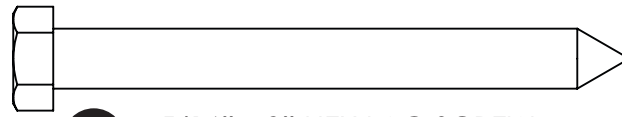
STEP 40:

Flip Climbing Wall assembly over and attach (#44) Rocks to Wall Boards with holes.

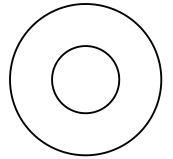
NOTE: Socket head screw H5 will screw into the T-nut assembled in the previous step.



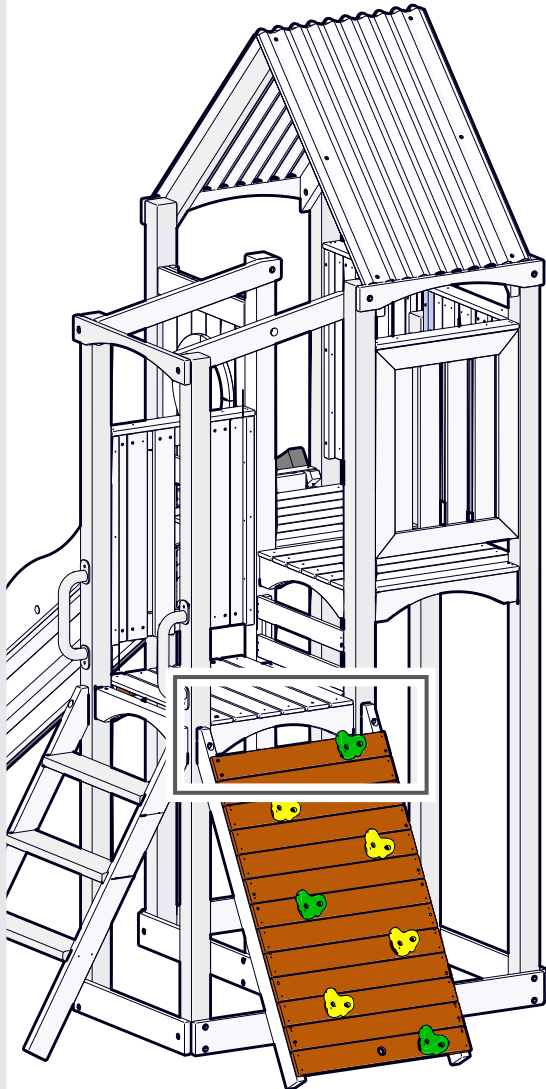
CLIMBING WALL ASSEMBLY WITH ROCKS
(Completed in previous page)



H15 5/16" x 3" HEX LAG SCREW
PG-HW-L004
(2)



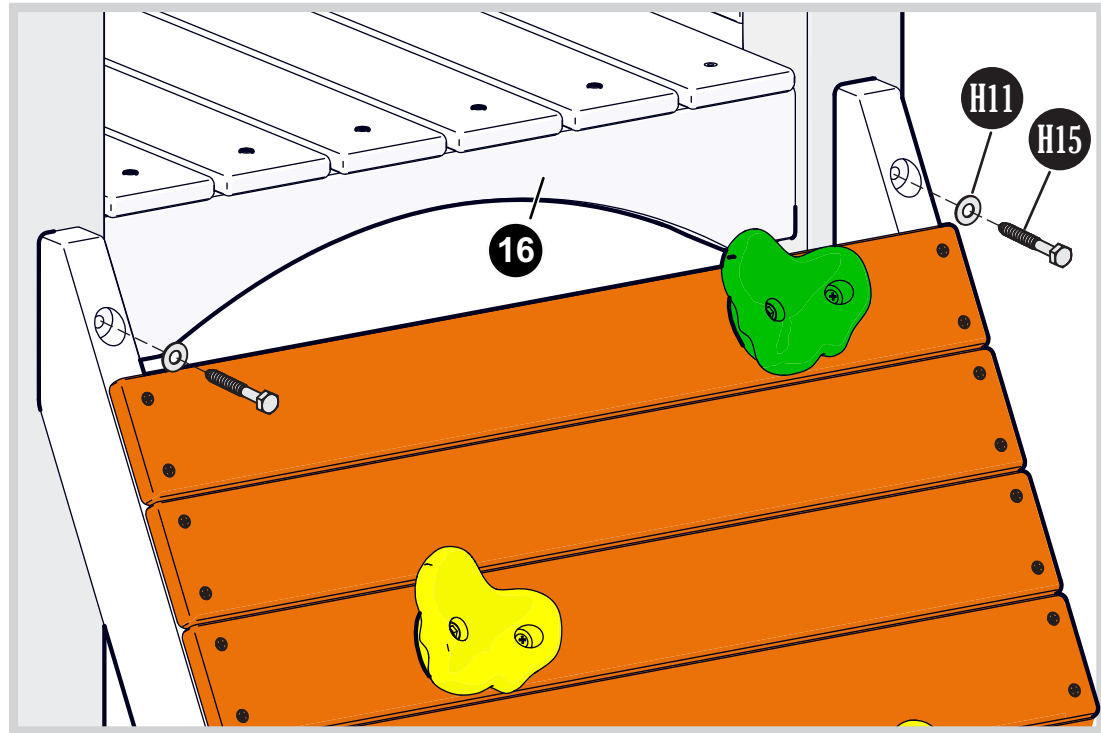
H11 PG-HW-W003
(2)

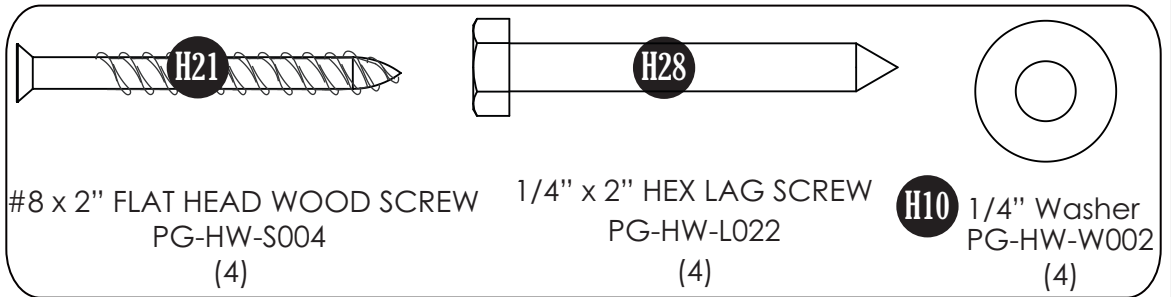
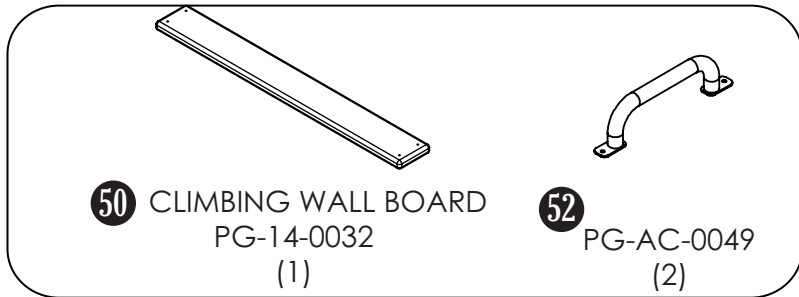


NOTE

Top of Climbing Wall should be at the same height as the (#16) Deck Supports as shown.

STEP 41:
Attach the Climbing Wall Assembly to the Corner Posts and using two **H11** & **H15** as shown.

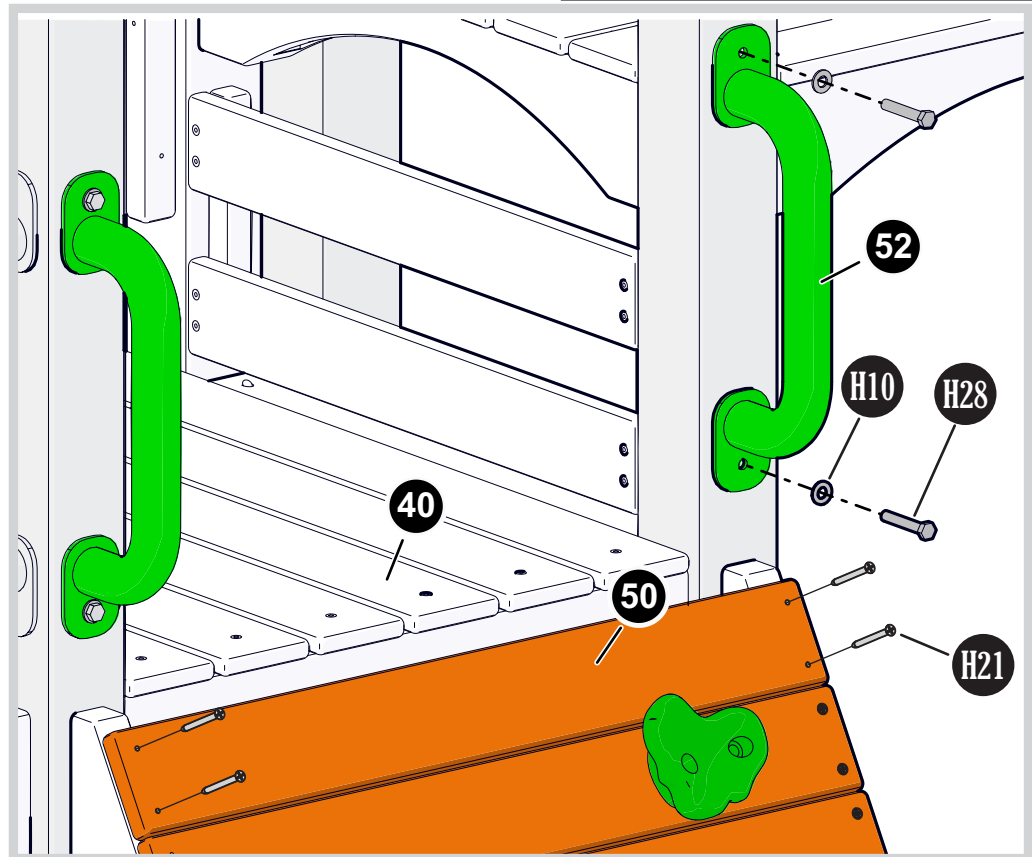
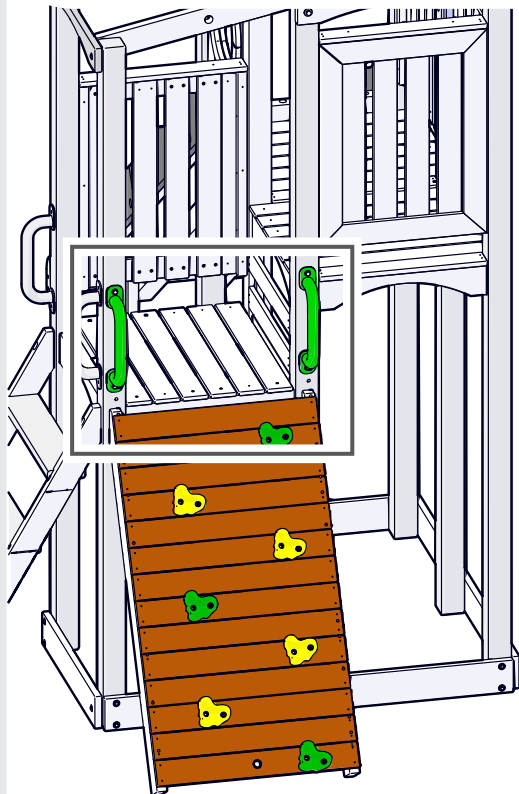




STEP 42:

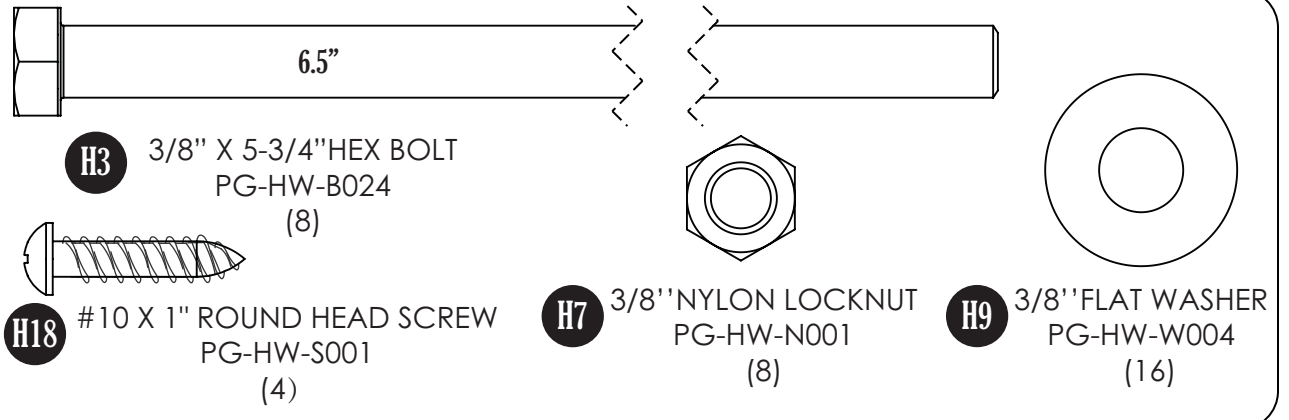
Attach **(#50)** Wall Board with **H21** Screws as shown, then attach **(#52)** Handles to Corner Posts with **H10** & **H28** as shown.

NOTE
Bottom of Handles should be 1-1/2" from the top of the (#40) Deck Panel.

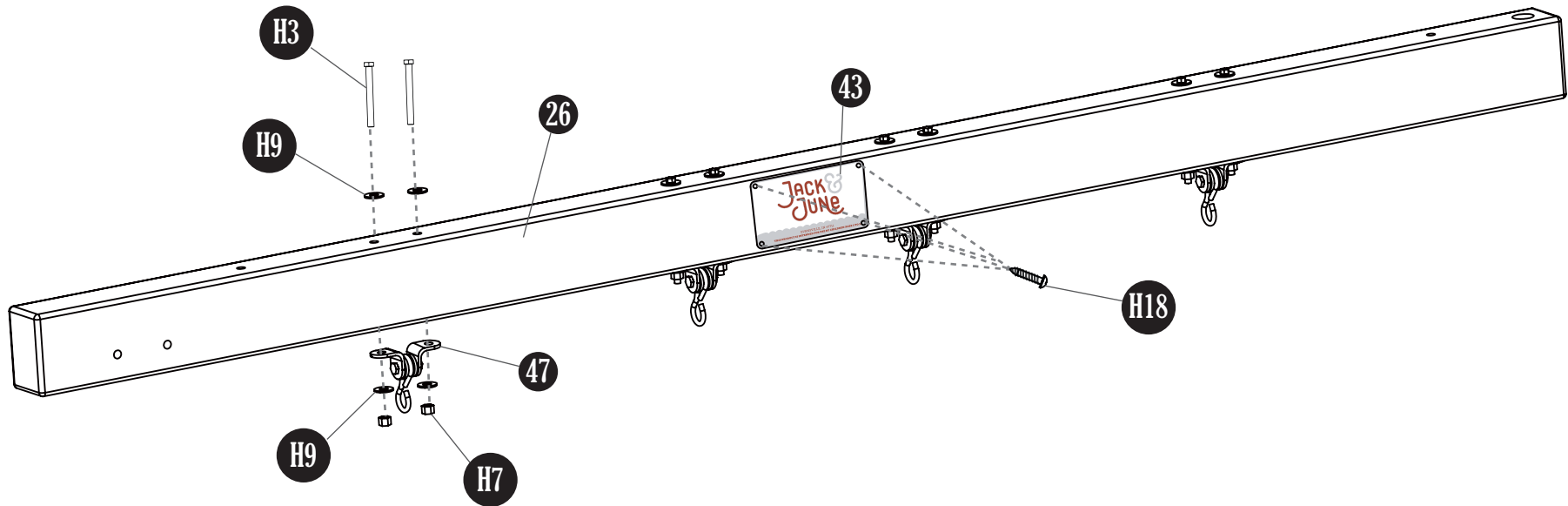


PARTS REQUIRED

- 26** SWING BEAM (1)
- 43** NAME PLATE (1)
- 47** Ductile Swing Hanger (4)



STEP 43:
Attach **(#43)** & **(#47)** to Swing Beam as shown.

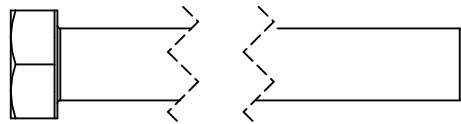


PARTS REQUIRED

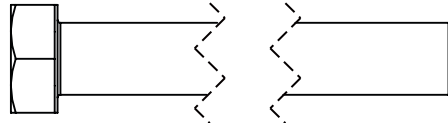
- 26** SWING BEAM (1)
- 27** SWING BEAM LEG (2)
- 29** SWING BEAM BRACE (1)

STEP 44:

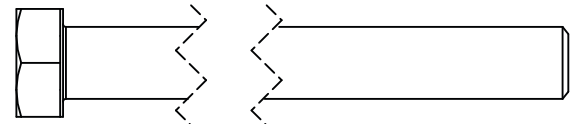
Attach (#27) & (#29) to Swing Beam as shown.



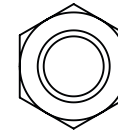
H1 3/8" X 7" HEX BOLT
PG-HW-B012
(1)



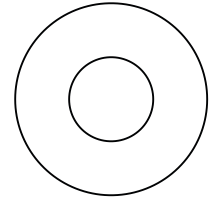
H3 3/8" X 5-3/4" HEX BOLT
PG-HW-B024
(1)



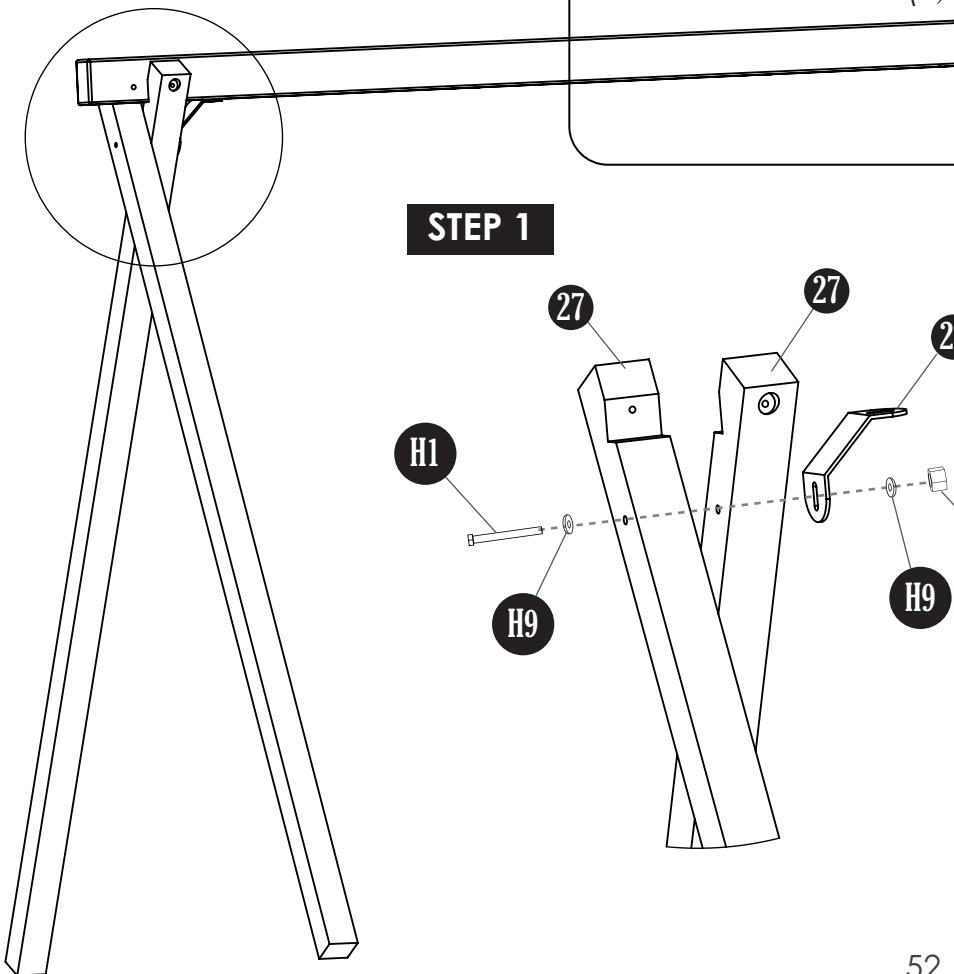
H2 3/8" X 6-1/2" HEX BOLT
PG-HW-B001
(2)



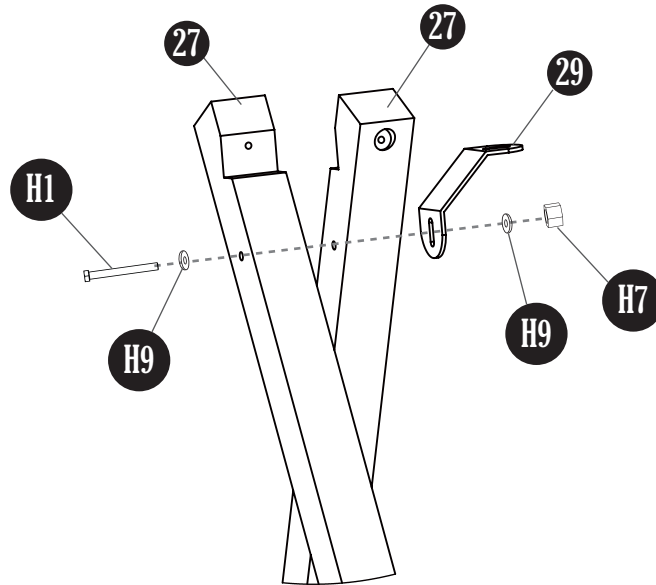
H7 3/8" NYLON LOCKNUT
PG-HW-N001
(4)



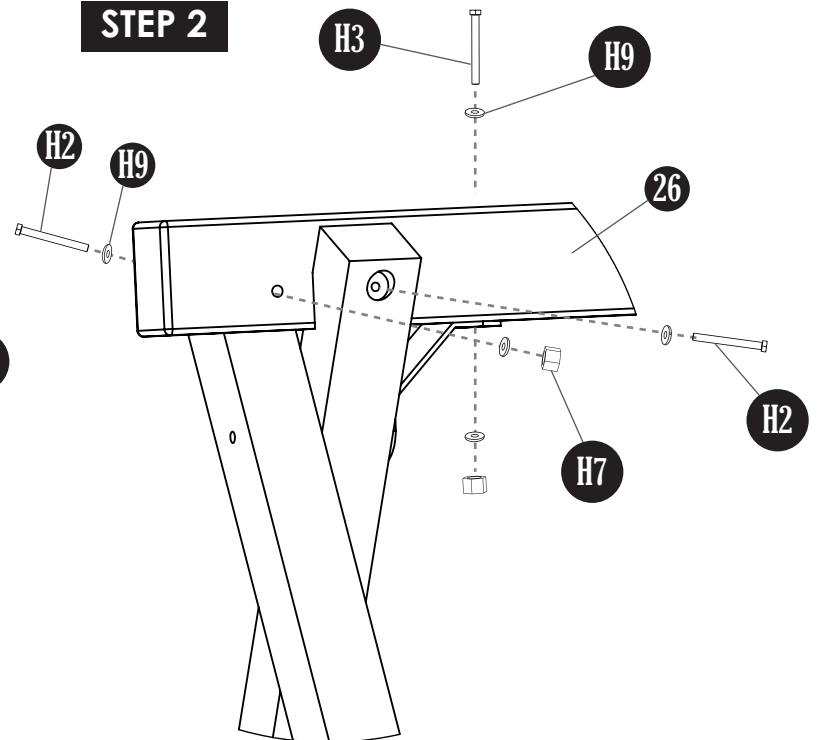
H9 3/8" FLAT WASHER
PG-HW-W004
(8)



STEP 1



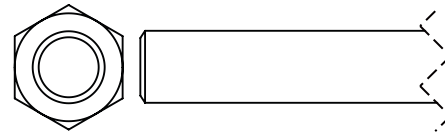
STEP 2



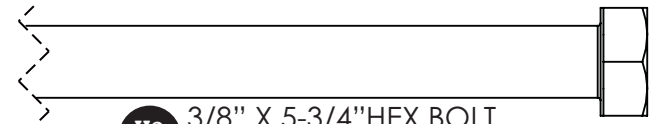
PARTS REQUIRED

28 SWING BEAM SUPPORT (1)

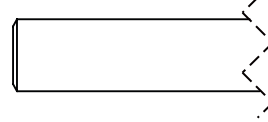
29 SWING BEAM BRACE (1)



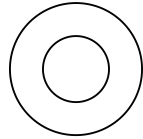
H7 3/8" NYLON LOCKNUT
PG-HW-N001
(2)



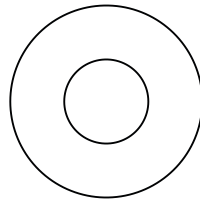
H3 3/8" X 5-3/4" HEX BOLT
PG-HW-B024
(1)



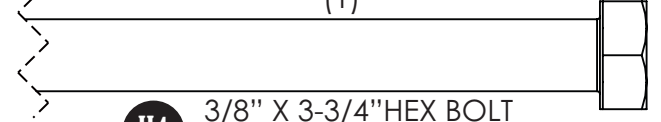
H4 3/8" X 3-3/4" HEX BOLT
PG-HW-B025
(1)



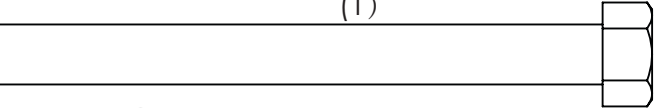
H11 5/16" FLAT WASHER
PG-HW-W003
(2)



H9 3/8" FLAT WASHER
PG-HW-W004
(5)



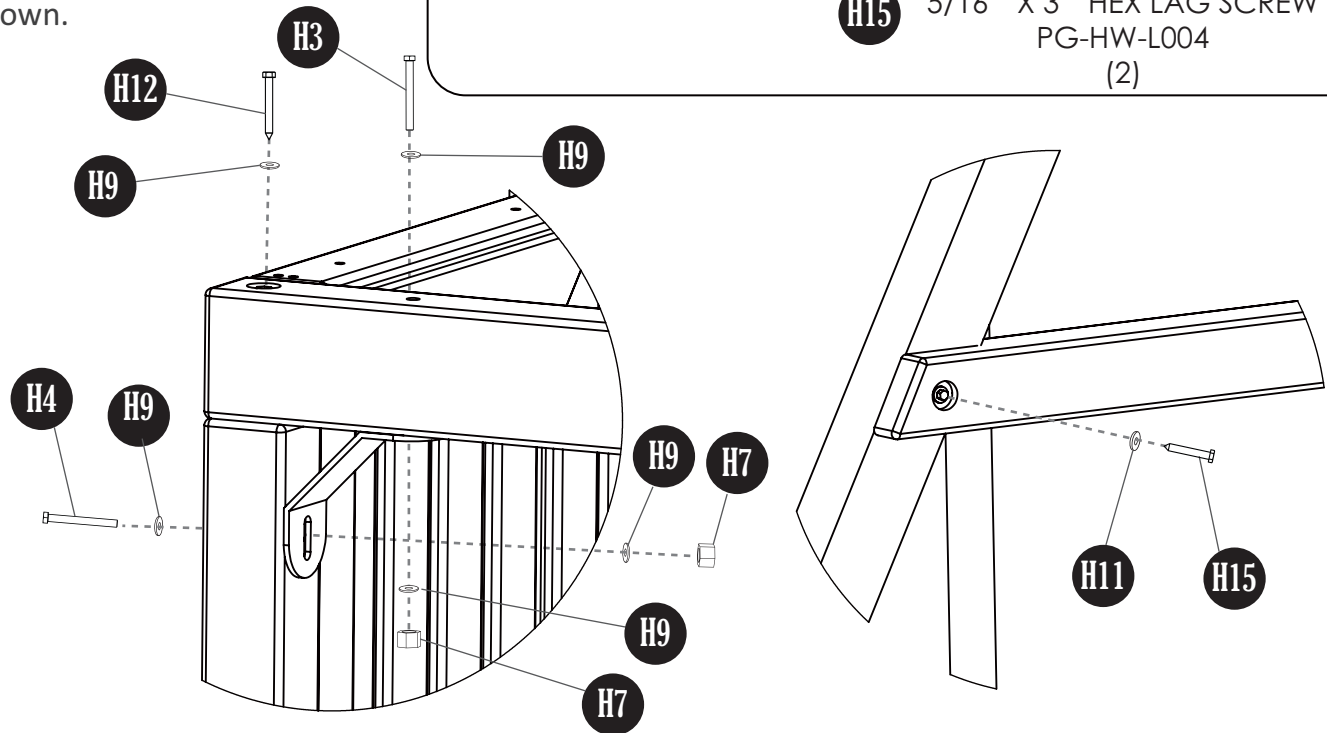
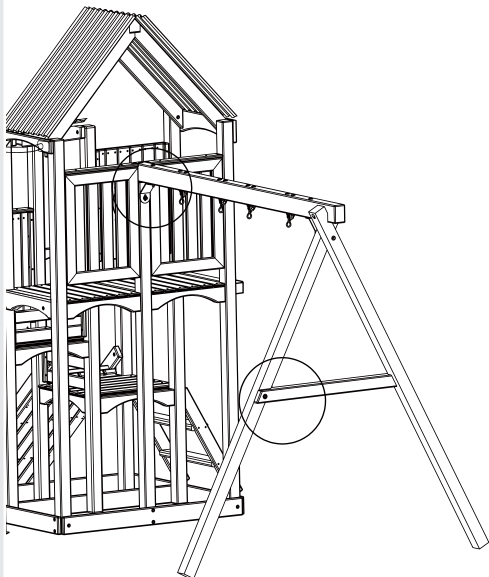
H12 3/8" x 5" HEX LAG SCREW
PG-HW-L010
(1)

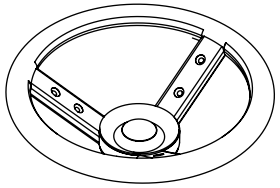


H15 5/16" X 3" HEX LAG SCREW
PG-HW-L004
(2)

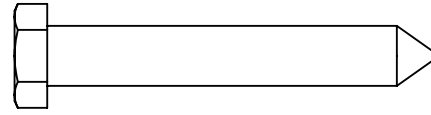
STEP 45:

Attach Swing Beam Assembly as shown.

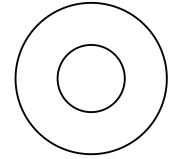




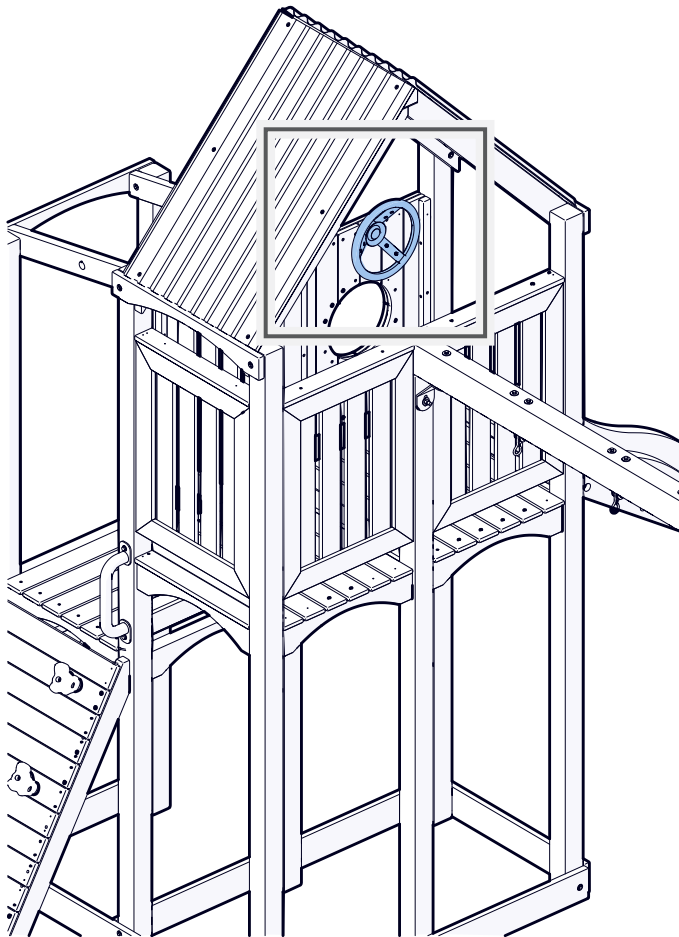
53 PG-AC-0050
(1)



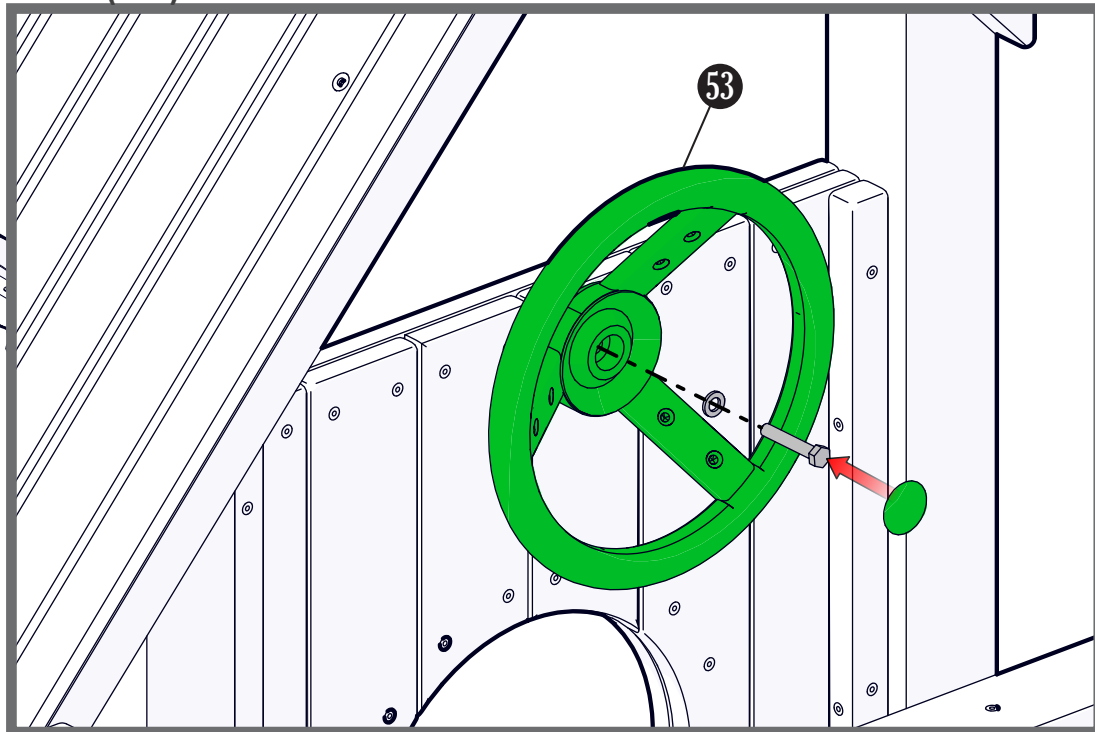
H24 5/16" x 2" HEX LAG SCREW
PG-HW-L007
(1)

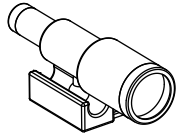


H11 5/16" FLAT WASHER
PG-HW-W003
(1)

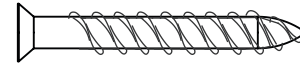


STEP 46:
Attach **(#53)** Wheel to Panel as shown.



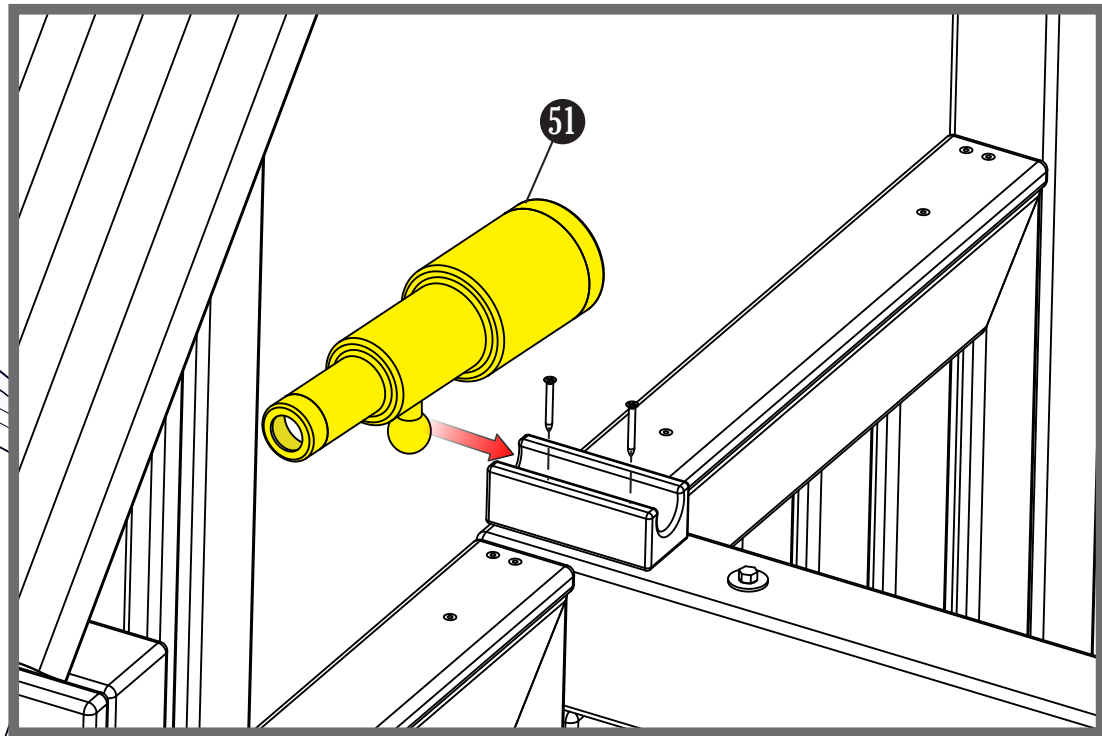
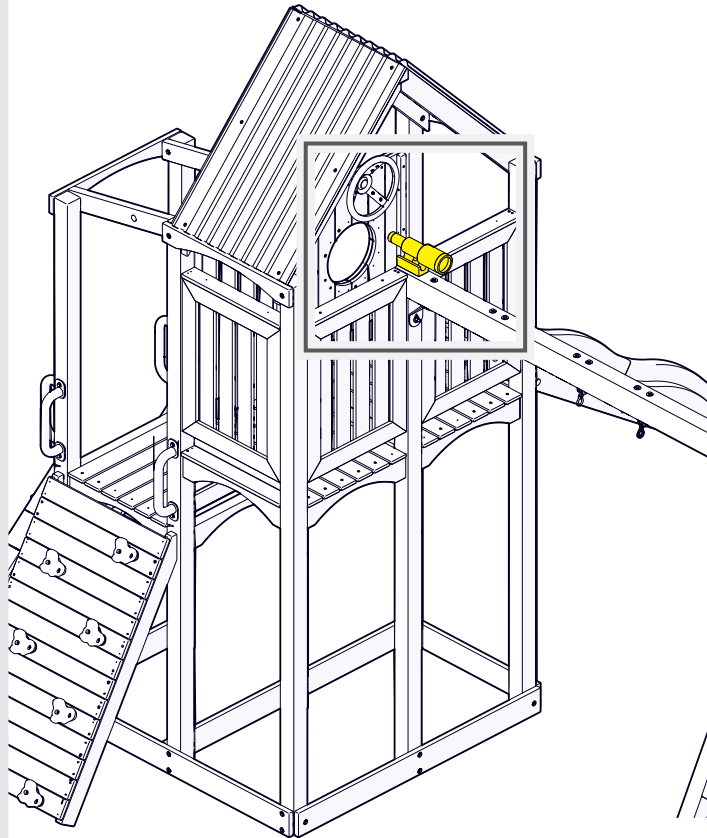


51 PG-AC-0048
(1)

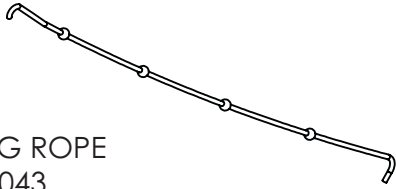


H20 #8 x 1.5" FLAT HEAD WOOD SCREW
PG-HW-S003
(2)

STEP 47:
Attach **(#51)** to Swing Beam as shown.



- 43** 122" CLIMBING ROPE
PG-AC-0043
(1)

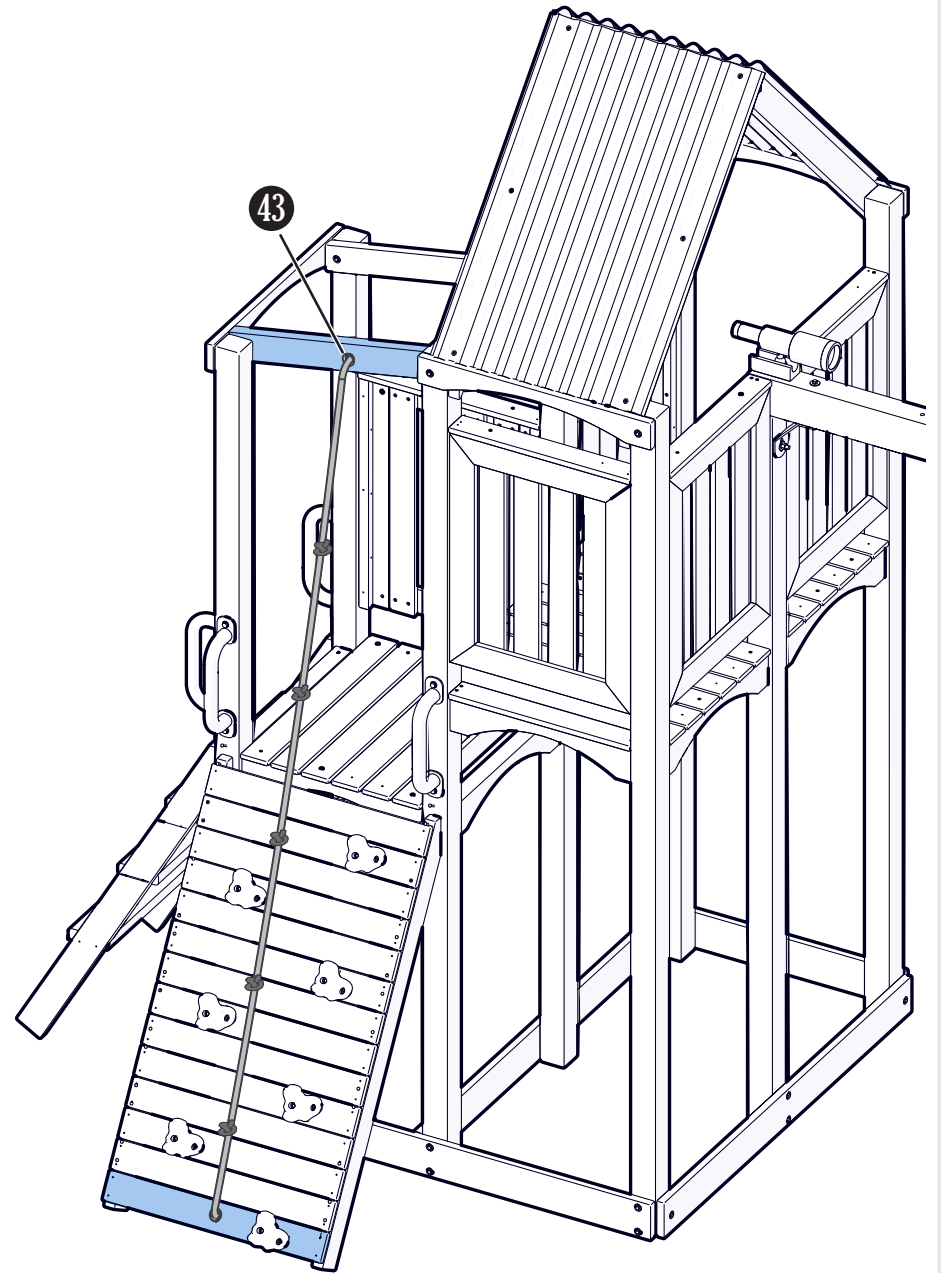


STEP 48:

Insert rope up through the hole on the Lower Roof Rafter (#13) and tie a double knot on the inside to secure that end of the rope.

STEP 49:

Tie a knot approximately every two feet along each rope then insert ropes down through the holes in the bottom of the Climbing Wall assembly. Pull ropes tight through the bottom hole and tie a double knot on the underside of the Rock Wall until rope is secure.

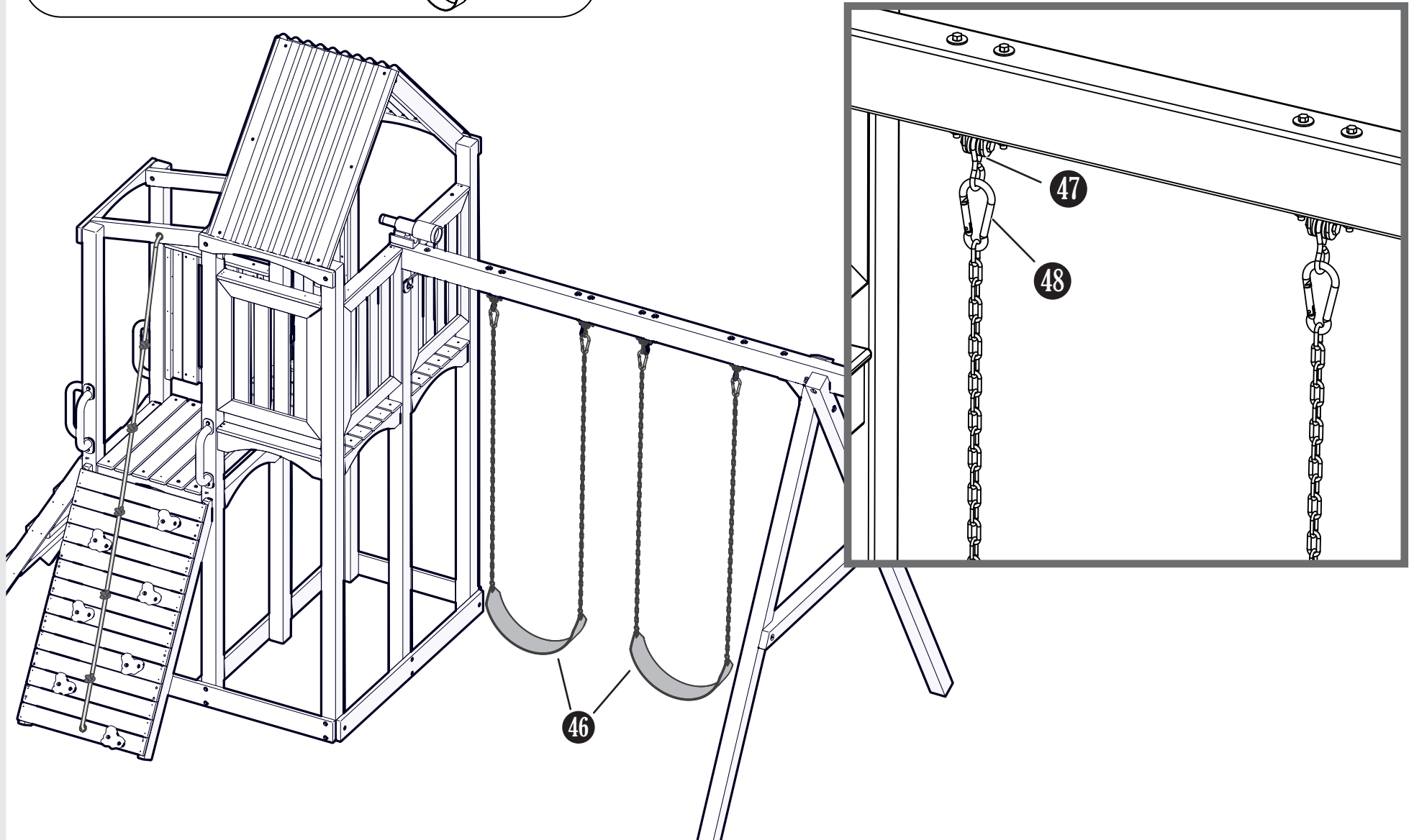


46 BELT SWING (54")
PG-AC-0045
(2)



STEP 50:

Attach Belt swing Spring Clips (#48) to the Ductile Hangers (#47). Congratulations! You have completed the assembly.



Consumer Information Sheet for Playground Surfacing Materials¹

The U.S. Consumer Product Safety Commission (CPSC) estimates that about 100,000 playground equipment-related injuries resulting from falls to the ground surface are treated annually in the U.S. hospital emergency rooms. Injuries involving this hazard pattern tend to be among the most serious of all playground injuries, and have the potential to be fatal, particularly when the injury is to the head.

The surface under and around playground equipment can be a major factor in determining the injury-causing potential of a fall. It is self evident that a fall onto a shock absorbing surface is less likely to cause a serious injury than a fall onto a hard surface. Playground equipment should never be placed on hard surfaces such as concrete or asphalt and while grass may appear to be acceptable it may quickly turn to hard packed earth in areas of high traffic. Shredded bark mulch, wood chips, fine sand or fine gravel are considered to be acceptable shock absorbing surfaces when installed and maintained at a sufficient depth under and around playground equipment.

The following table lists the maximum height from which a child would not be expected to sustain a life-threatening head injury in a fall onto four different loose-fill surfacing materials if they are installed and

maintained at depths of 6", 9", and 12". However, it should be recognized that all injuries due to falls cannot be prevented no matter what surfacing material is used.

It is recommended that a shock absorbing material should extend a minimum of 6' in all directions from the perimeter of stationary equipment such as climbers and slides. However, because children may deliberately jump from a moving swing, the shock absorbing material should extend in the front and rear of a swing a minimum distance of 2 times the height of the pivot point measured from a point directly beneath the pivot point supporting structure.

This information is intended to assist in comparing the relative shock-absorbing properties of various materials. No particular material is recommended over another. However, each material is only effective when properly maintained. Materials should be checked periodically and replenished to maintain correct depth as determined necessary for your equipment. The choice of a material depends on the type and height of the playground equipment, the availability of the material in your area, and its cost.

FALL HEIGHT IN FEET FROM WHICH A LIFE THREATENING HEAD INJURY WOULD NOT BE EXPECTED

TYPE OF MATERIAL	6" DEPTH	9" DEPTH	12" DEPTH
Double Shredded Bark Mulch	6'	10'	11'
Wood Chips	6'	7'	12'
Fine Sand	5'	5'	9'
Fine Gravel	6'	7'	10'

¹This information has been extracted from the CPSC publications "Playground Surfacing—Technical Information Guide" and "Handbook for Public Playground Safety." Copies of these reports can be obtained by sending a postcard to the Office of Public Affairs, U.S. Consumer Product Safety Commission, Washington, D.C. 20207. Or call the toll-free hotline: 1-800-638-2772.

JACK & JUNE WARRANTY

1 Year Warranty

Subject to proper installation and normal residential use, Jack & June warrants, subject to the limitations stated below, to the original retail purchaser, all chain, seats, swing hangers, hardware, metal braces, ropes and accessories to be free from defects in material and workmanship for a period of **one years** from date of purchase. Cracks in non -functional plastic components are not considered defects in materials and workmanship if they do not affect the functionality of the playset. Merchandise covered under this limited **one-year** warranty will, at our option, be repaired or replaced, excluding any freight or labor fees.

5 Year warranty

In addition, for **Five years** after the original purchase date of our **Cedar** playsets, Jack & June warrants, to the original retail purchaser, all wooden components against structural failure due to corrosion, wood rot, or insect infestation. Seasonal checks, surface cracks, knotholes and knots, not resulting in structural failure, are natural characteristics of all wooden play equipment, are not covered under this warranty and will not affect the integrity of your playset.

Jack & June warrants to the original retail customer that we will replace any swing hangers, swing chains, metal braces, metal rungs or hardware that fail due to rust or breakage (excludes surface rust).

Timber is a natural material which can absorb and release moisture. Although this product is designed to minimize this effect, in certain circumstances some movement or distortion is unavoidable. During dry hot weather timber may shrink and check - this is a normal process of weathering. After the first year of service it is advisable to clean and apply a non-toxic stain or sealant to the wood, safe for children's use.

Components covered under this **5 year, 1 year** warranty will be replaced free of charge excluding freight and labor fees.

Non-residential use of the playset is prohibited and voids the warranty as the playsets are designed for residential use only.

Escalade Sports reserves the right to examine photographs and/or physical evidence of merchandise claimed to be defective, and to recover said merchandise, prior to disposition of warranty claims. Merchandise returned to our factory for examination or recovery must be shipped freight prepaid, unless a Return Authorization Number is issued.

This warranty program does not cover normal wear and tear, color fading, or damages resulting from misuse, abuse, vandalism, alteration, acts of God, or assembly and maintenance contrary to our instructions. Escalade Sports assumes no responsibility for incidental or consequential damages which may arise from the purchase or use of our equipment. Please supervise your children's play activity and maintain your play equipment periodically.

This warranty is expressly in lieu of all other warranties, expressed or implied, including warranties of merchantability or fitness for use. Jack & June does not assume or authorize any person to assume for us, any other liability in connection with the sale of our products.

Special Note: Jack & June reserves the right to make changes in materials, design, and pricing without notice. See your instruction manual for maintenance requirements. Your child's safety is your responsibility; therefore, you should inspect this equipment regularly for wear and safety.

For warranty service, contact:

Escalade Sports

P.O. Box 889

Evansville, IN 47706

1-800-GO-SWING

Or E-Mail us at: playgroundcs@escaladesports.com