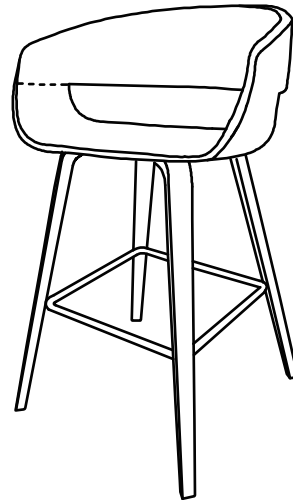
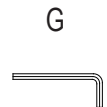
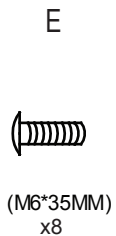
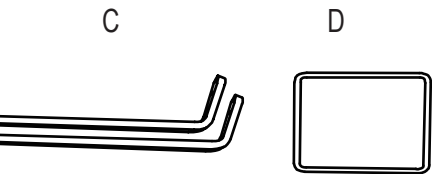
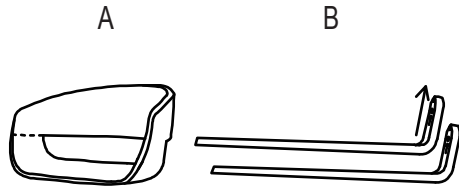


Model 161-FA26D

Fabric Counter Stool 2PK

Parts Listing



Assembly Instructions



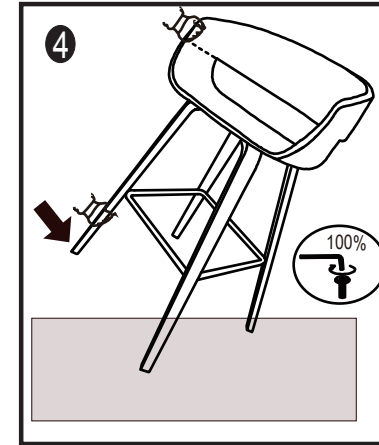
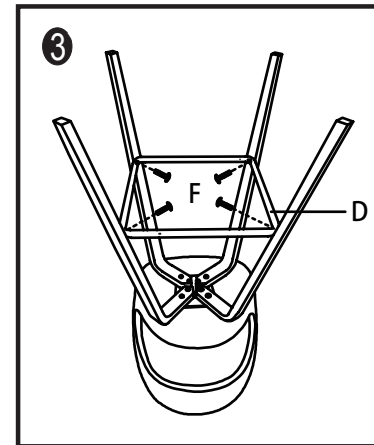
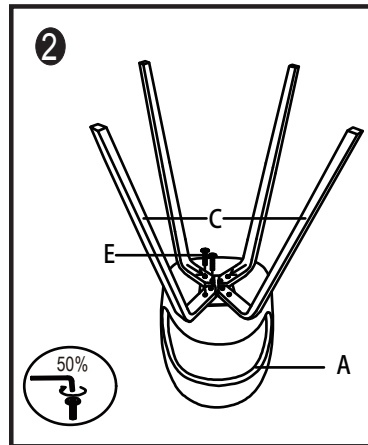
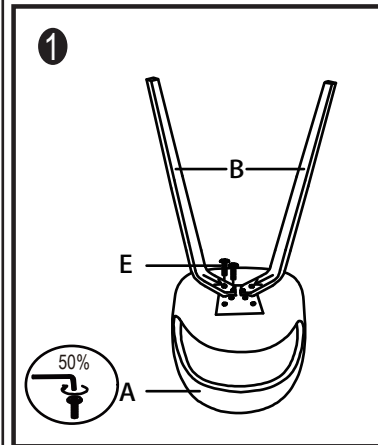
Tools Needed: Allen Wrench (provided)
Please read all instructions before assembly.

Step 1: Use Allen Wrench (G) to slightly tighten 2 Legs (B) to Front Screws holes in Seat (A) with 4 Screws (E).

Step 2: Use Allen Wrench (G) to slightly tighten 2 Legs (C) to Rear Screws holes in Seat (A) with 4 Screws (E).

Step 3: Use Allen Wrench (G) to tighten Footrest (D) to Legs (B) and Legs (C) with 4 Screws (F). Please make sure the small holes on the Footrest (C) facing floor after the chair is finished.

Step 4: The Assembly of the stool is finished. Tighten All Screws in previous step with Allen Wrench (G).
Place Stool on a flat level surface to ensure it is level. If the stool is uneven, slightly pressing the uneven legs and the diagonal legs to make it level.



WEIGHT CAPACITY: 250 lbs.

Assembly Notes:

During assembly, hand tighten screws only. When all screws are in place, you may then tighten all screws completely.

CAUTION:

1. Do not use this chair as a step ladder.
2. Check for loose screws and tighten them every 6 months.

161 Tradition Trail, Holly Springs, NC, 27540
800-520-7471 (voice) 919-362-4765 (fax)
919-303-6389 (voice) www.ofminc.com
support@ofminc.com