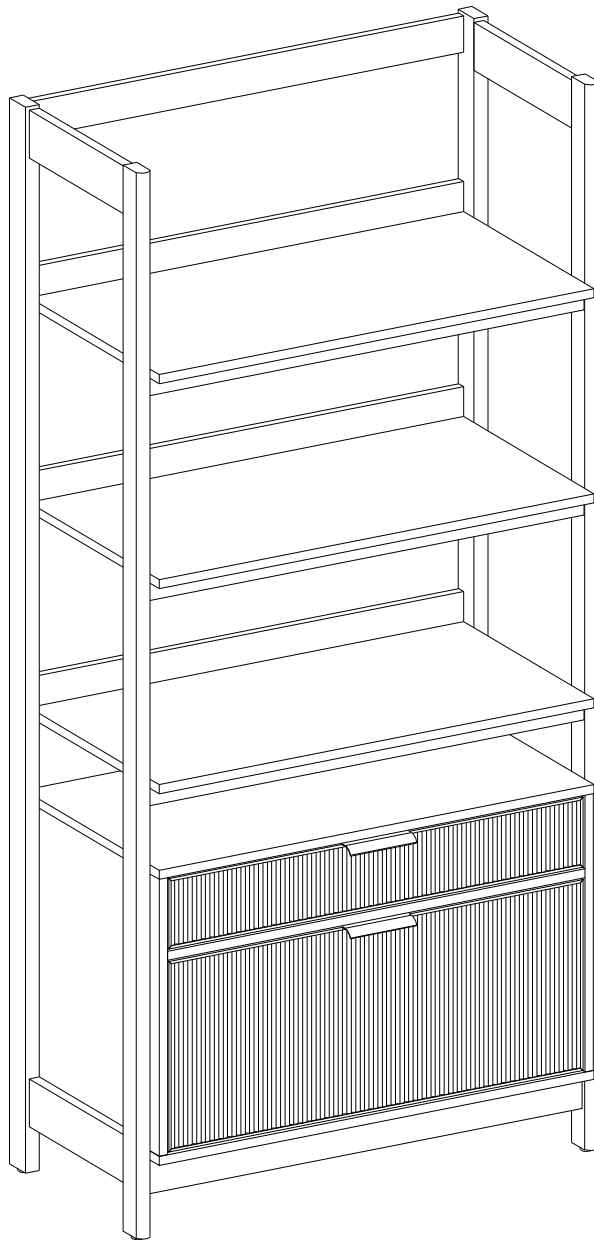


WALKER EDISON
TM

Holmes wide bookcase

SKU# WEHOL410S3



For Residential Use Only

Please visit our website for the most current instructions, assembly tips, report damage, or request parts. www.walkerredison.com

WE Time to get started

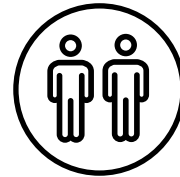
Set up a clean and soft workplace to get started and avoid damage during the assembly. It also helps to double-check you've got all the pieces and parts before diving in to assembly.

Estimated time for assembly



People recommended for assembly

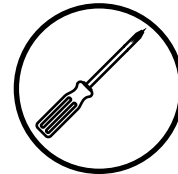
Make it a team effort! Grab a friend for quicker, easier assembly.



2 People Build

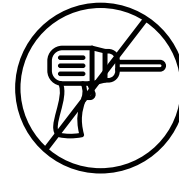
Tools Needed

Grab a Phillips head screwdriver to conquer this assembly



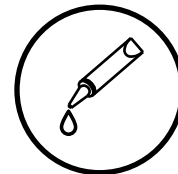
Use power tools with caution

You can cause cracking or damage to the material and easily strip the hardware. If you choose to use a power tool, your product will no longer be covered under Walker Edison's warranty.



Glue is provided to secure wood dowels in place

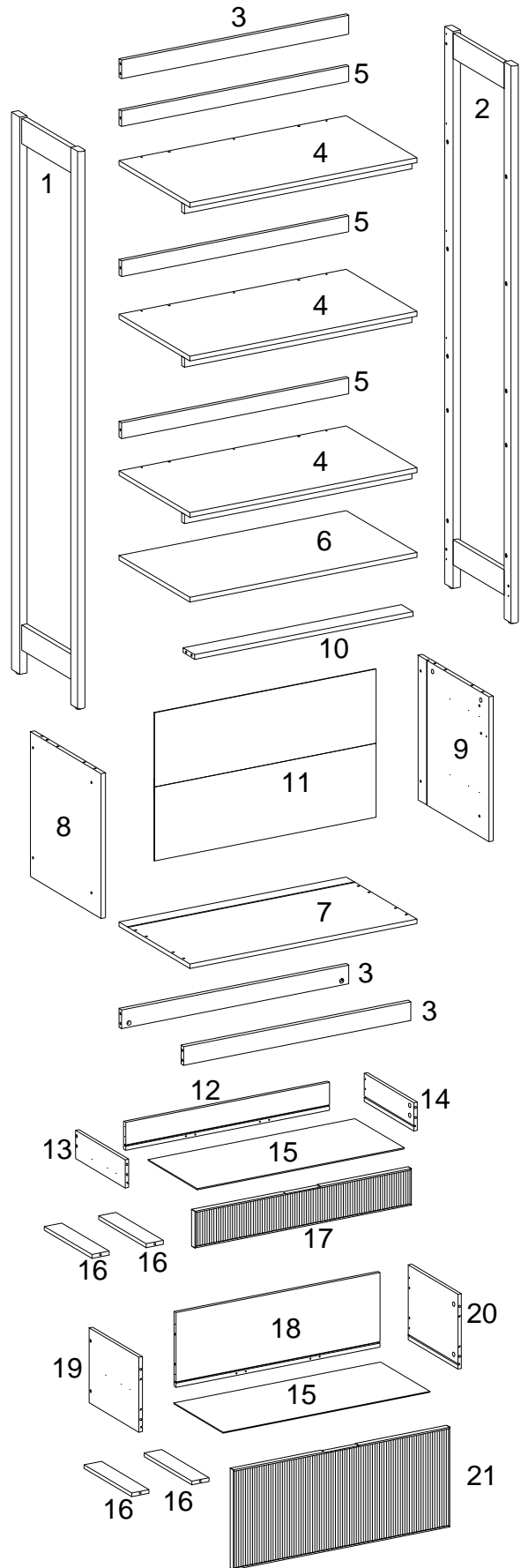
When inserting dowels, locate the appropriate hole, place a small amount of glue in the hole, and then insert the dowel. Wipe away excess glue immediately.





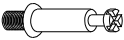


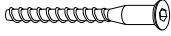


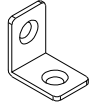

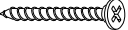

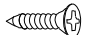
Scan to get assembly tips and help!

WE Parts List

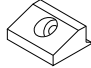
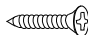
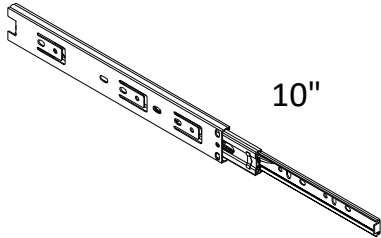

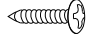
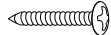


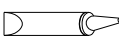
Part Number	Description	Quantity
1	Left Panel	1
2	Right Panel	1
3	Trim Panels	3
4	Shelf Panel	3
5	Back Shelf Trim	3
6	Top Cabinet Panel	1
7	Bottom Cabinet Panel	1
8	Left Cabinet Panel	1
9	Right Cabinet Panel	1
10	Support Panel	1
11	Back Panel	1
12	Upper Drawer Back Panel	1
13	Upper Drawer Left Panel	1
14	Upper Drawer Right Panel	1
15	Bottom Drawer Panel	2
16	Drawer Support Panel	4
17	Upper Drawer Front Panel	1
18	Lower Drawer Back Panel	1
19	Lower Drawer Left Panel	1
20	Lower Drawer Right Panel	1
21	Lower Drawer Front Panel	1



WE Hardware List

Part	Size	Name	Quantity
A	 8x30mm	Wooden dowel	22
B	 6x30mm	Wooden dowel	8
C	 6x35mm	Cam bolt	30
D	 15x11mm	Cam lock	18
E	 15x9mm	Cam lock	12
F	 6x50mm	Bolt	4
G	 6x30mm	Bolt	8
H	 6x15mm	Bolt	24
J		L-shape bracket	12
K	 M4x57mm	Hex Key	1
L	 4x38mm	Screw	25
M		Drawer pull	2
N	 3x12mm	Screw	28

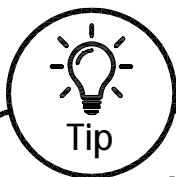
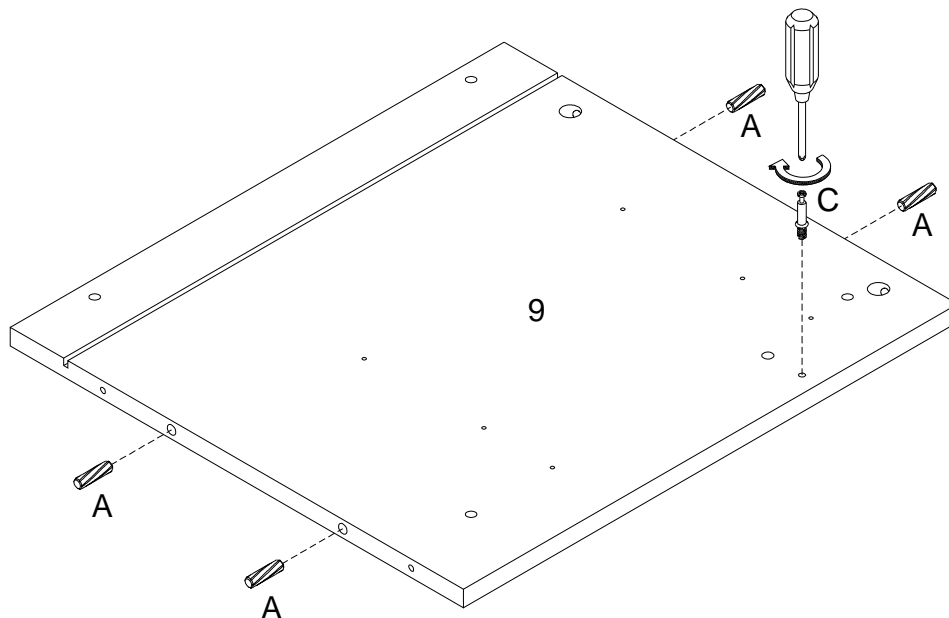
WE Hardware List

Part	Size	Name	Quantity
P		Plastic wedge	8
Q	 3x17mm	Screw	8
R	 10"	Drawer Glide*	2 Set
* Note: This piece comes preassembled for shipping purposes and must be disassembled to complete the desk assembly.			
S	 30mm	Sticker	30
T	 4x15mm	Screw	2
V	 4x25mm	Screw	2
W		Plastic strap	2
X		Wall Anchor	2
Y		Glue tube	2

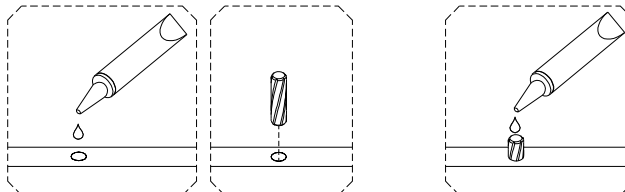
The hardware quantities listed above are required for proper assembly.
Extra hardware pieces may be included.

Step 1

It's a great day to build a bookcase! Let's get started. Beginning with your Right Cabinet Panel (9), insert Wooden Dowels (A) into dowel holes. Then, Screw in the Cam Bolts (C).



Tip

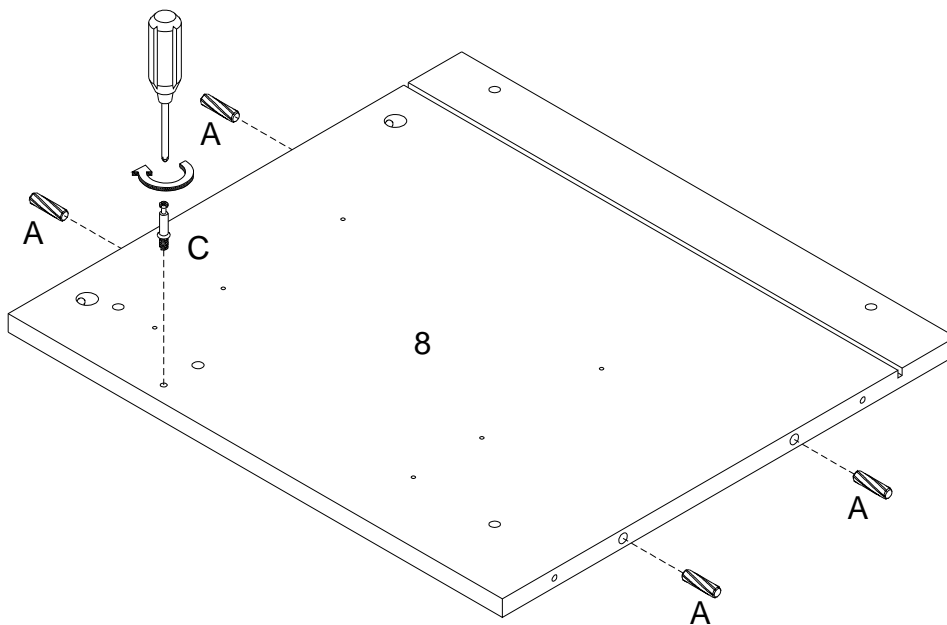


1: The provided glue is to secure wood dowels in place. When first inserting dowels, locate the appropriate hole for the dowel, place a small amount of glue in the hole and insert the dowel. Wipe away excess glue immediately.

2: In future assembly steps when dowels are necessary to attach assembly parts together, place a small amount of glue on the end of the dowel before attaching parts together. Wipe away excess glue immediately.

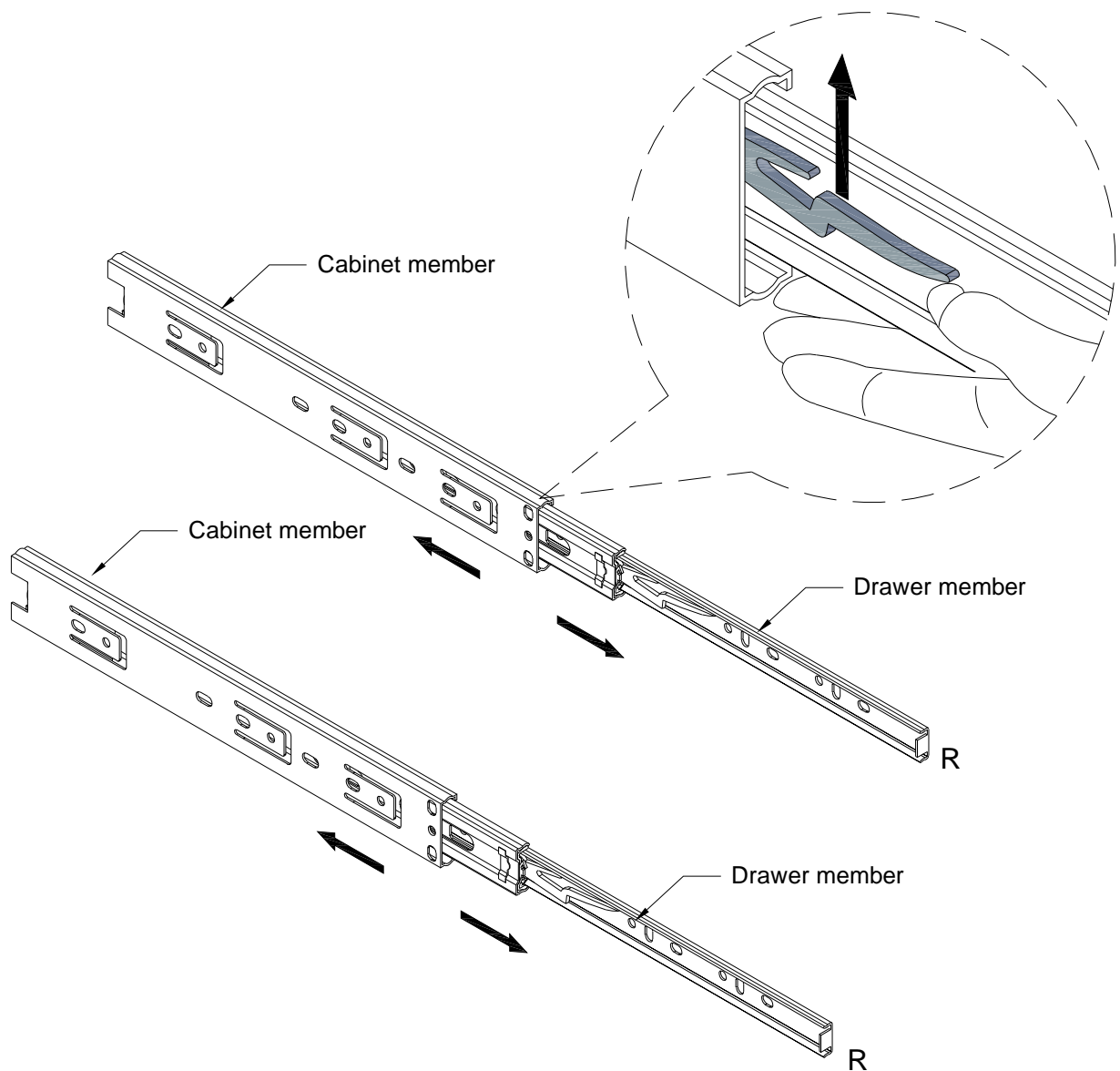
Step 2

Using a screwdriver, screw Cam Bolts (C) into the Left Cabinet Panel (8). Then, insert Wooden Dowels (A) into place.



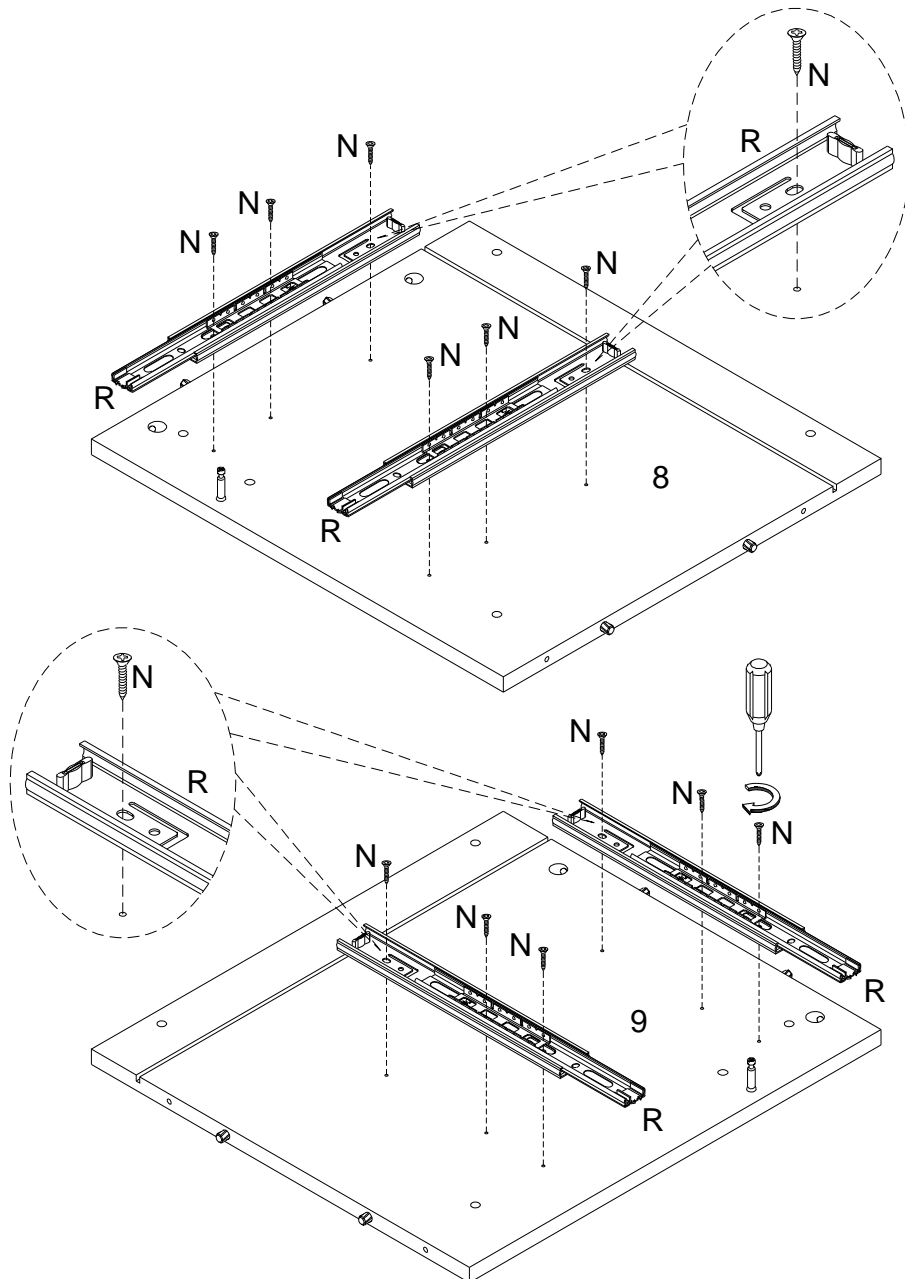
Step 3

From the Drawer Glides (R), you will detach the Drawer Members from the Cabinet Members. You can do so by pushing up on the plastic lever.



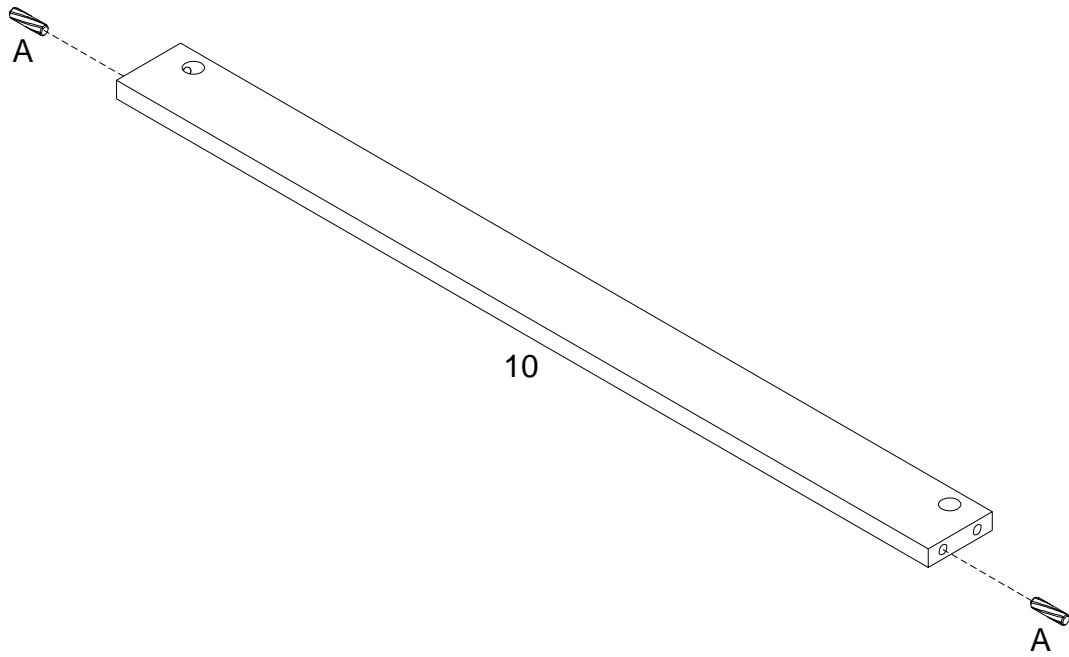
Step 4

Attach the Cabinet Members of the Drawer Glides (R) to the Left Cabinet Panel (8) and the Left Cabinet Panel (9). Use the graphic as a guide to ensure proper placement.



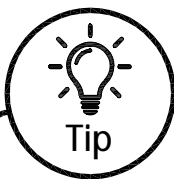
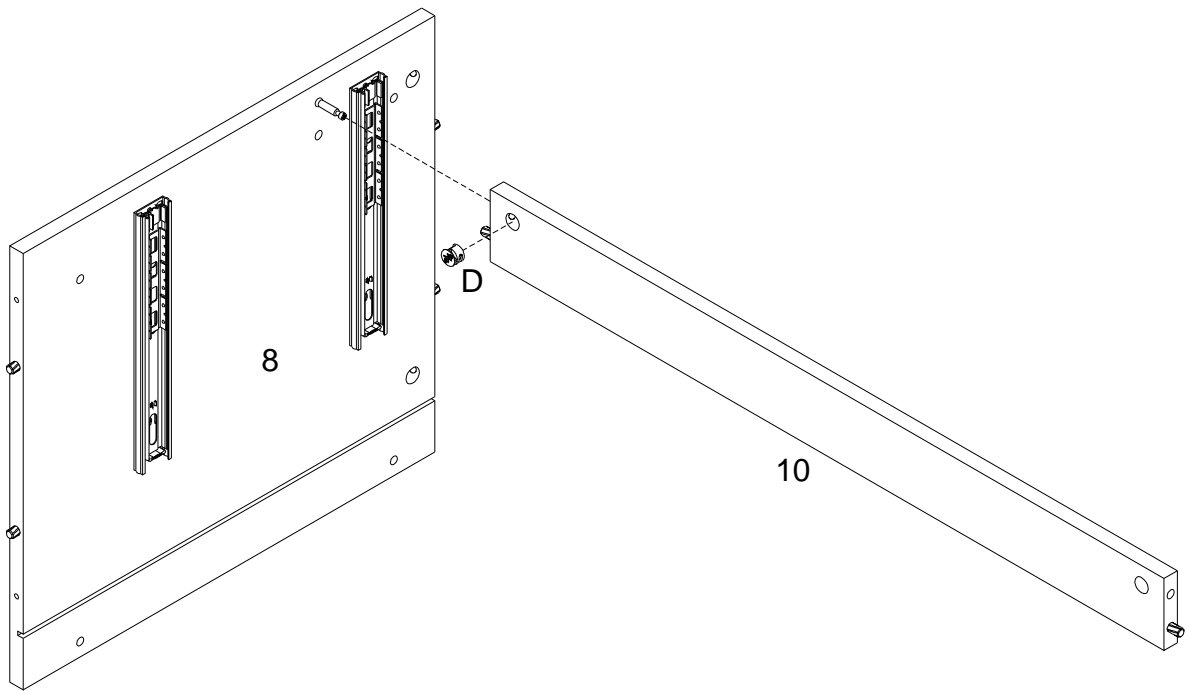
Step 5

Insert Wooden Dowels (A) into the Support Panel (10) dowel holes.



Step 6

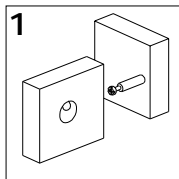
Attach the Support Panel (10) to the Left Cabinet Panel (8) using a Cam Lock (D). Secure with a screwdriver.



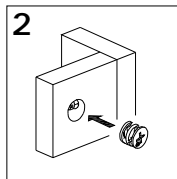
Tip

Cam Locks

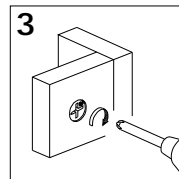
Cam Locks help securely join two pieces together.
Follow these easy steps.



1: Insert Cam Bolt into bolt holes on the flat side. Don't over tighten!



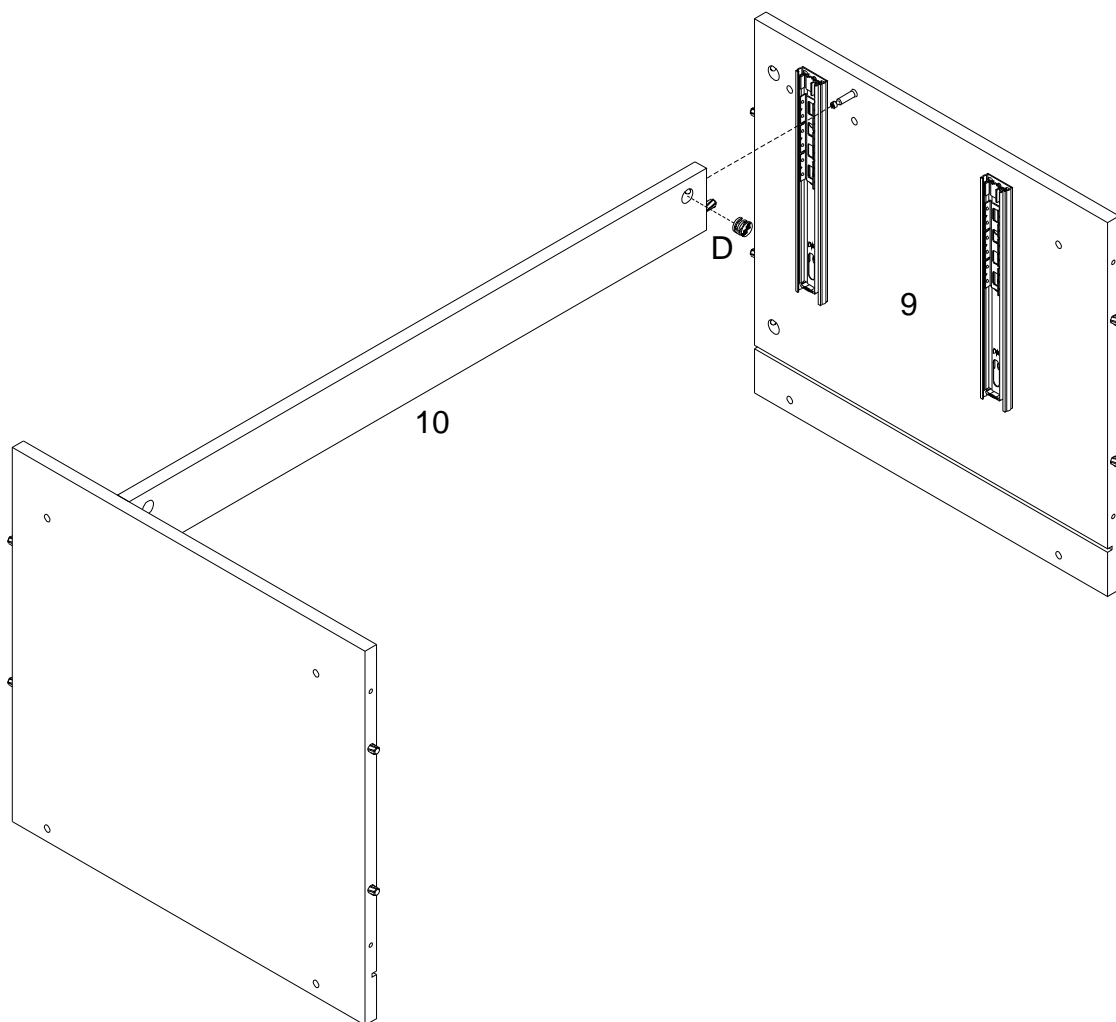
2: Fit the proper holes on the edge of the other part over the Cam Bolts. You should be able to see the cam bolts through the larger hole on the side.



3: On the back of the Cam Lock will be a "C" shape. Insert the Cam Lock so the opening of the "C" fits over the Cam Bolt. Tighten with the screwdriver.

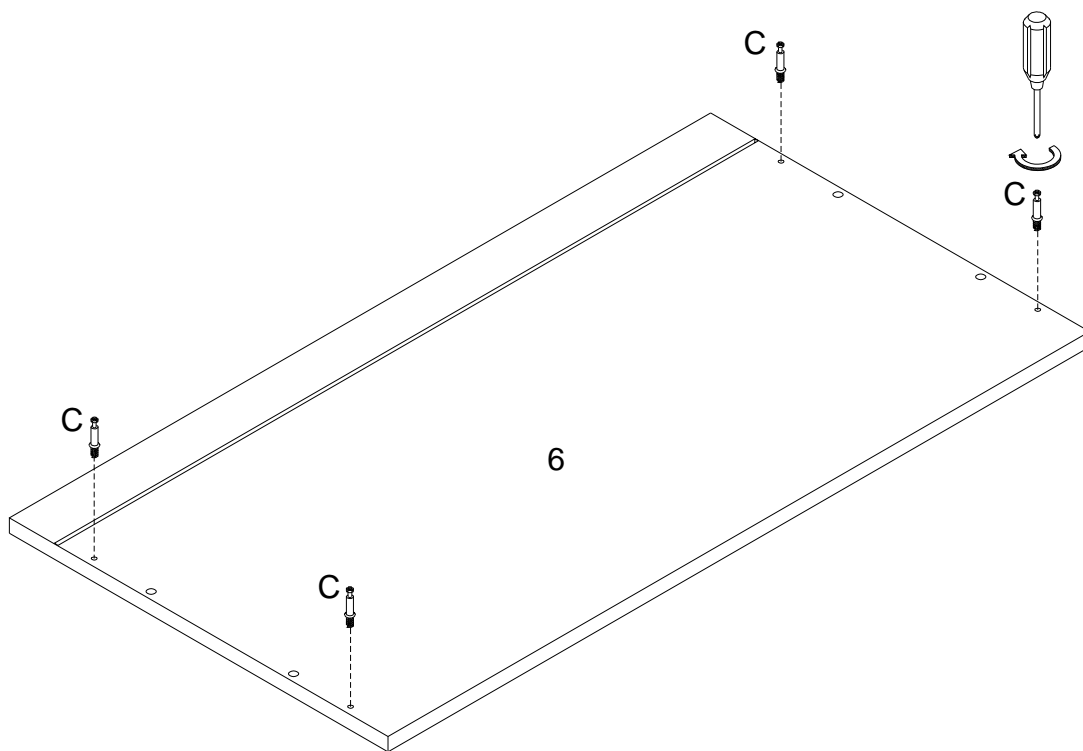
Step 7

Repeat for the other side. Attach Support Panel (10) to the Right Cabinet Panel (9) using a Cam Lock (D). Secure with a screwdriver.



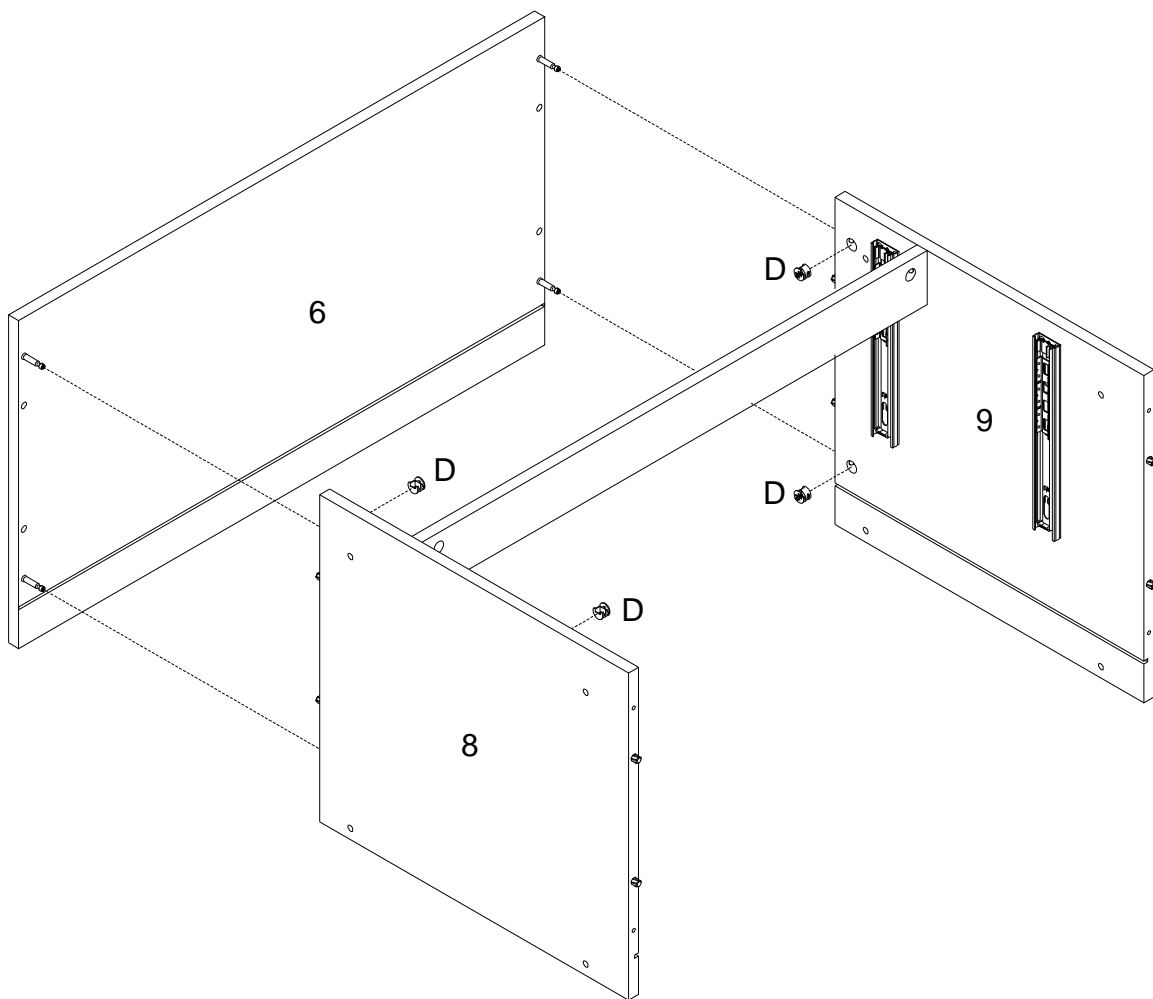
Step 8

Insert Cam Locks (C) into the Top Cabinet Panel (6) and secure with a screwdriver.



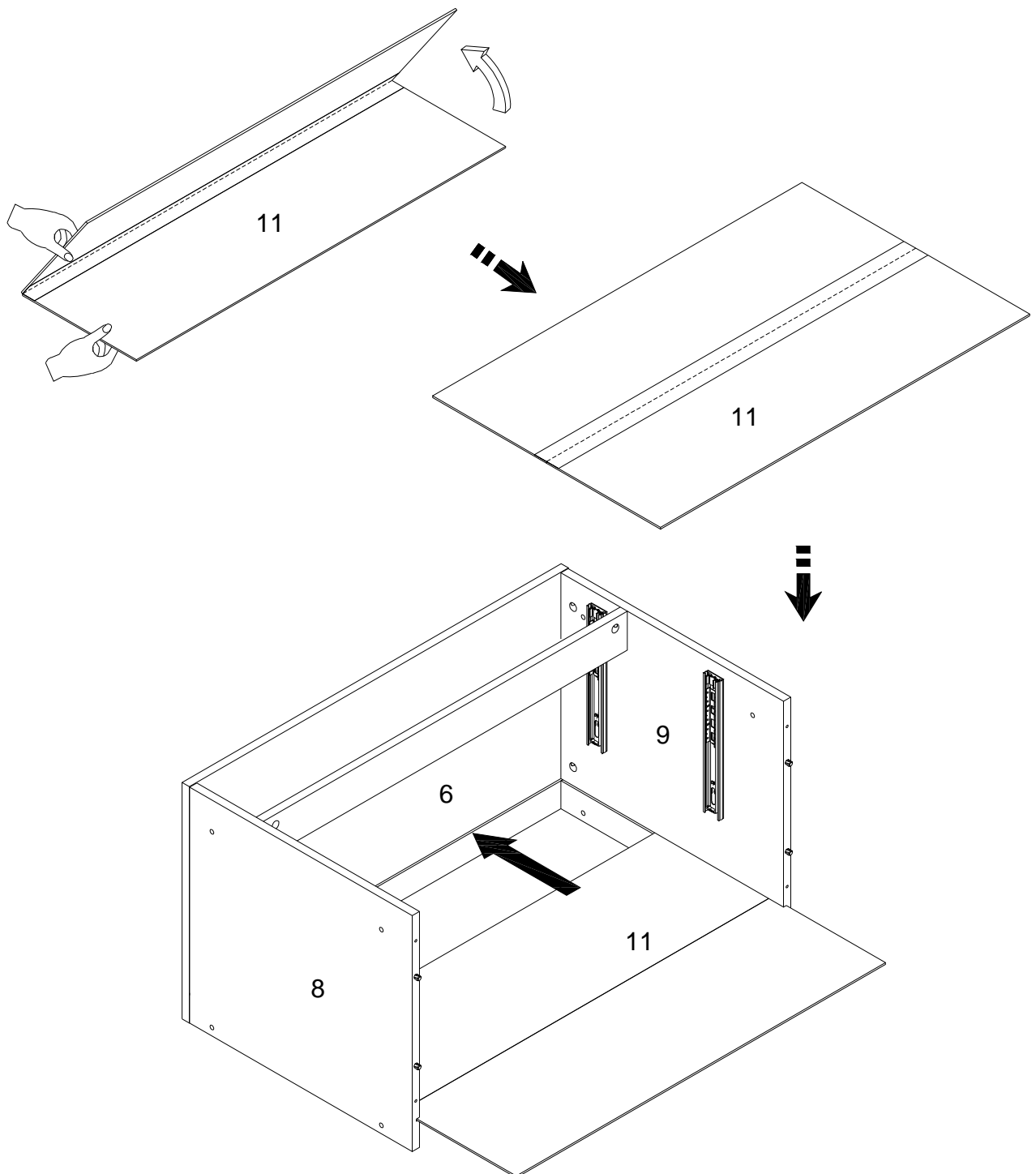
Step 9

Attach the Top Cabinet Panel (6) to the Left Cabinet Panel (8) and the Right Cabinet Panel (9) using Cam Locks (D). Secure with a screwdriver.



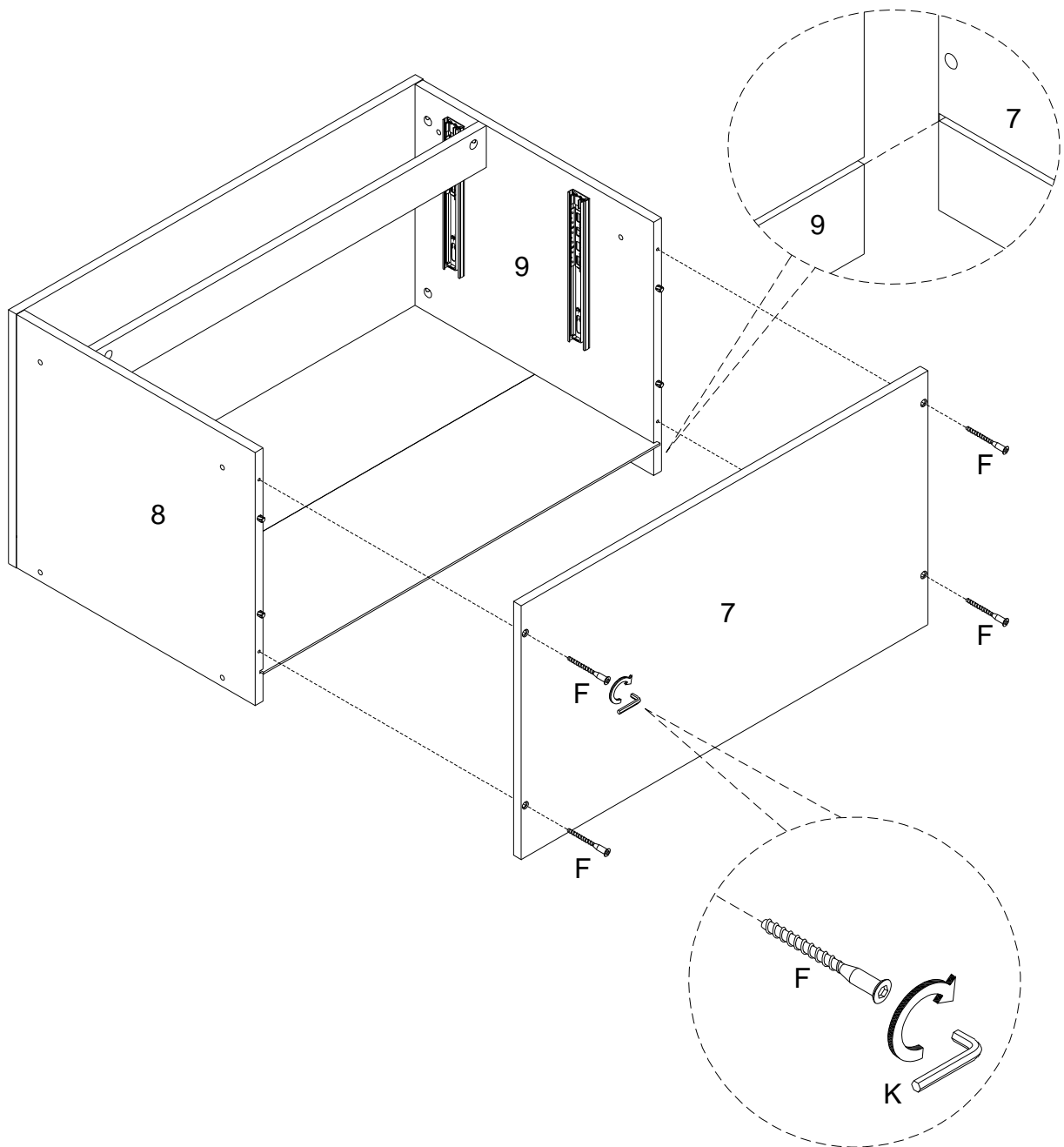
Step 10

Unfold the Back Panel (11) and slide into place using the grooves. Ensure that it is secure in the bottom groove.



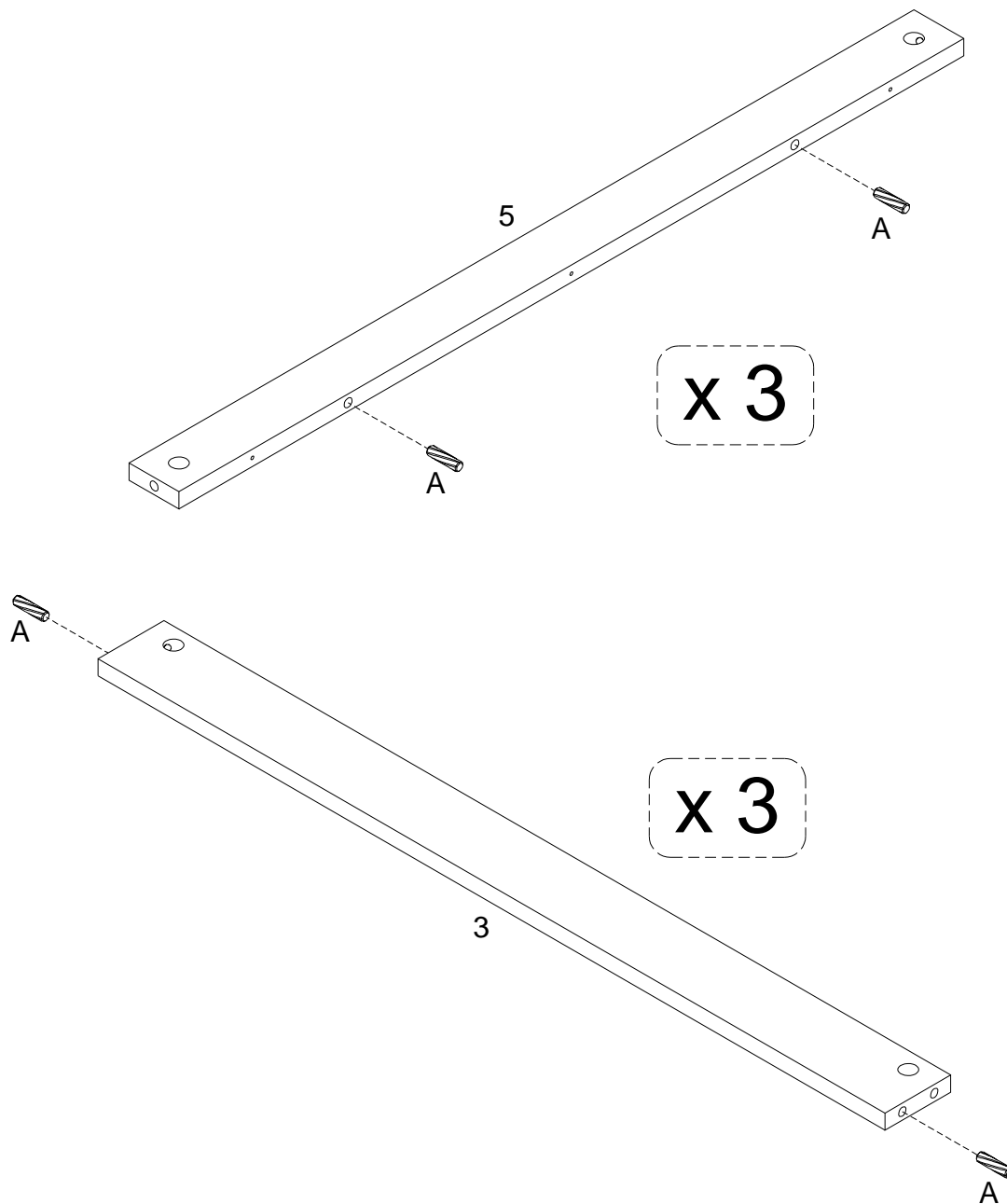
Step 11

Attach the Bottom Cabinet Panel (7) to the Left Cabinet Panel (8) and the Right Cabinet Panel (9) using 50mm Bolts (F).



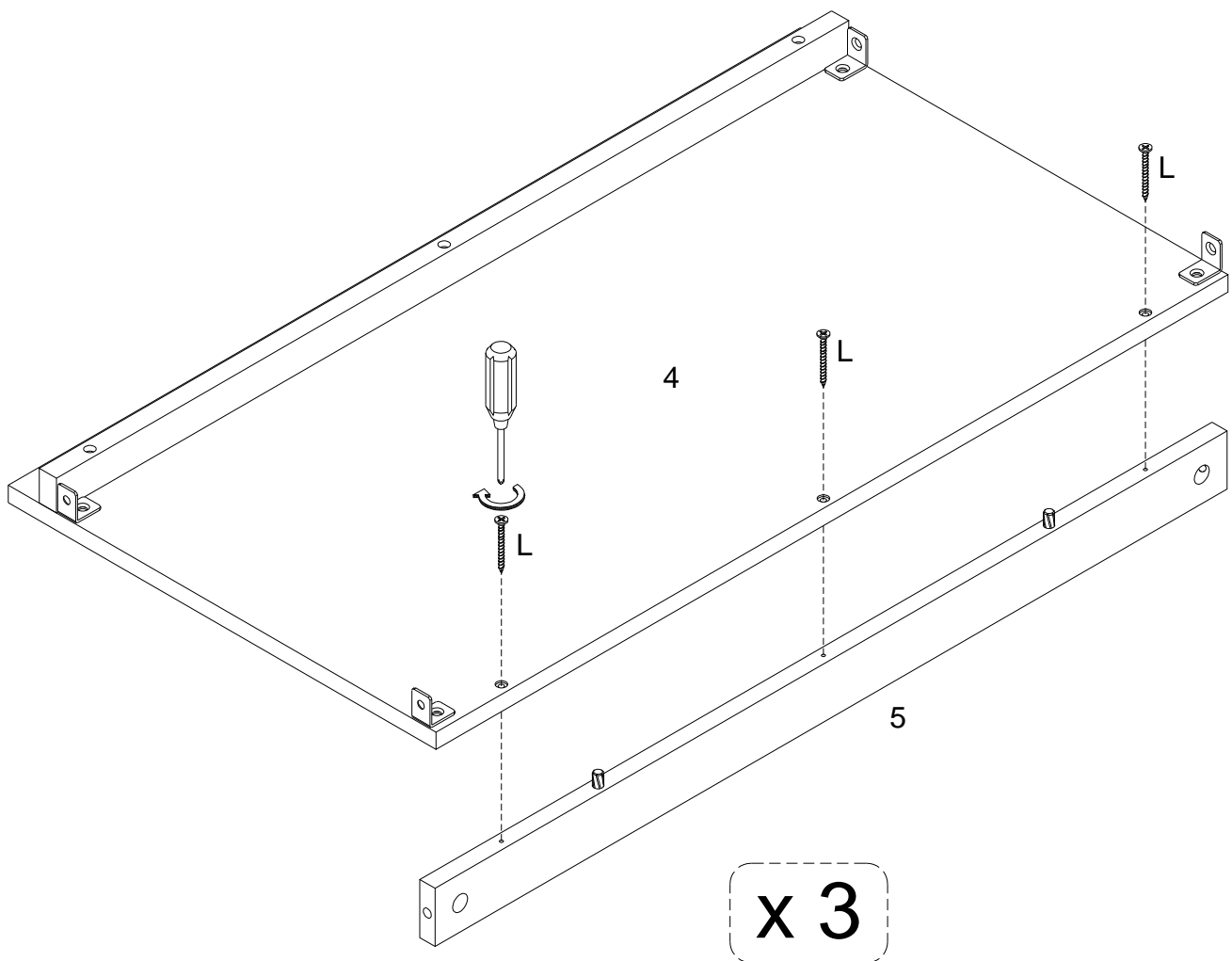
Step 12

Insert Wooden Dowels (A) into the Back Shelf Trim x3 (5) and Front Shelf Trim x3 (3).



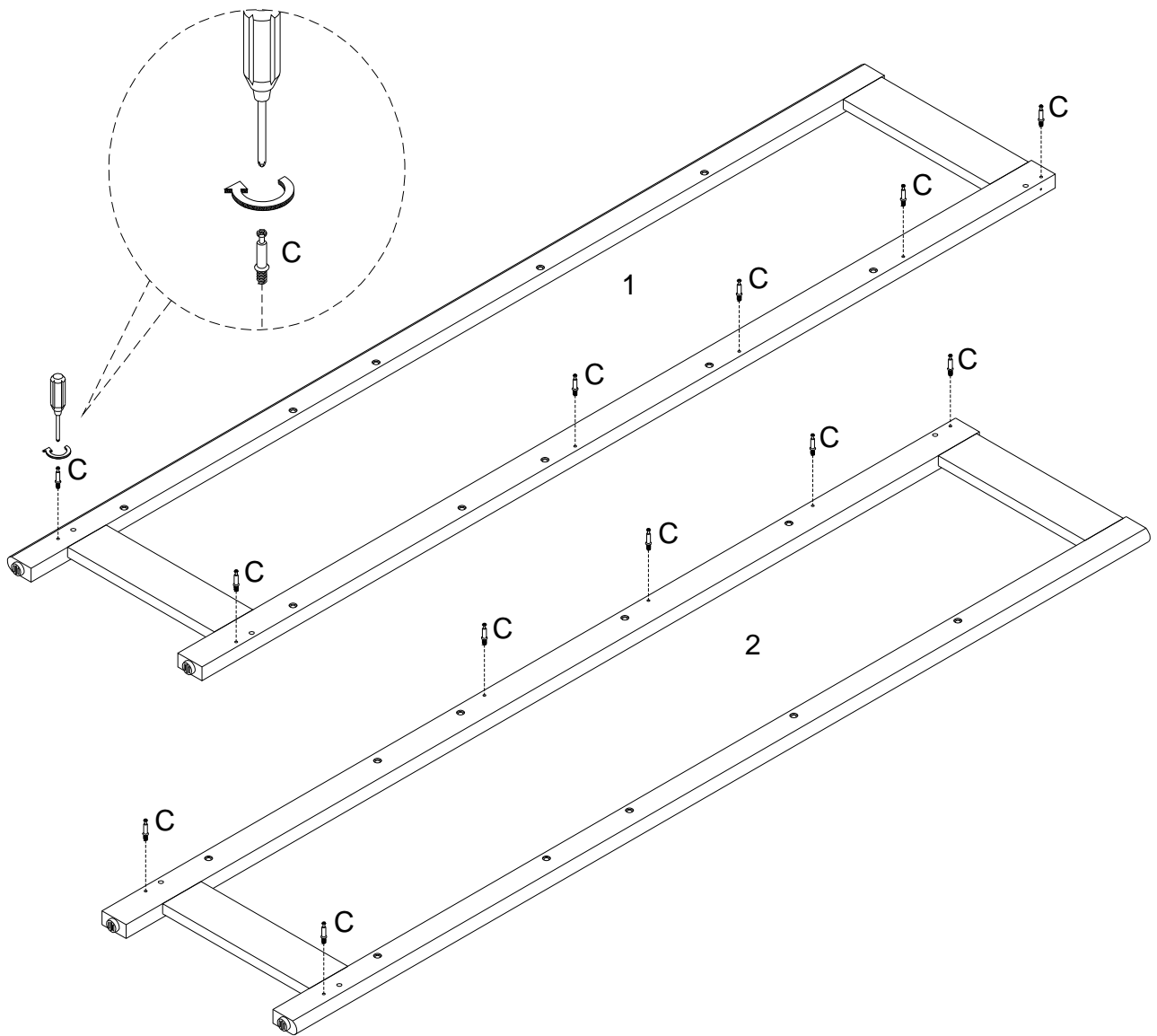
Step 14

Attach the Back Shelf Trim (5) to all three Shelf Panels (4) using 38mm Screws (L).



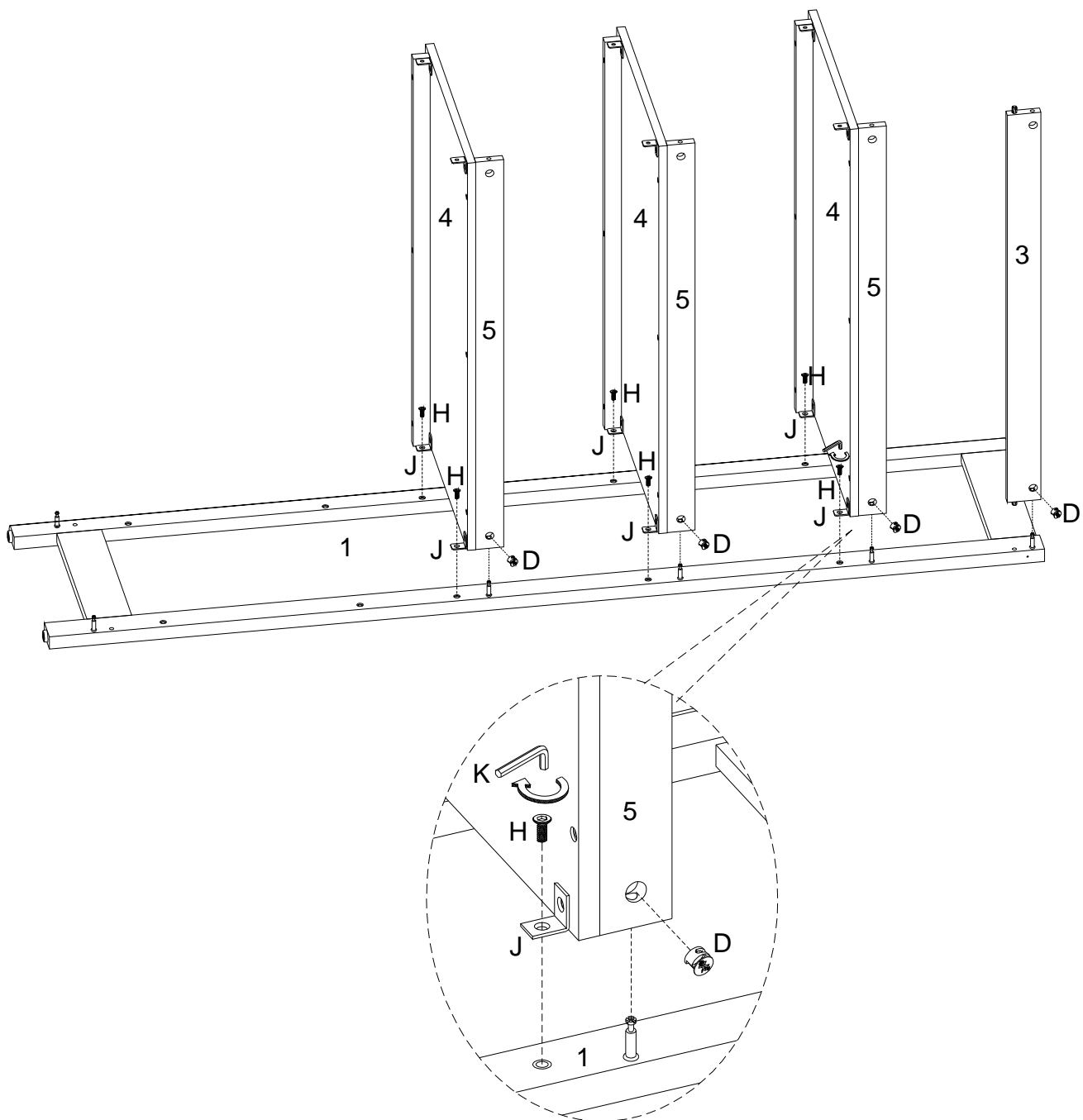
Step 15

Now you will screw the Cam Bolts (C) into the Left Panel (1) and Right Panel (2).



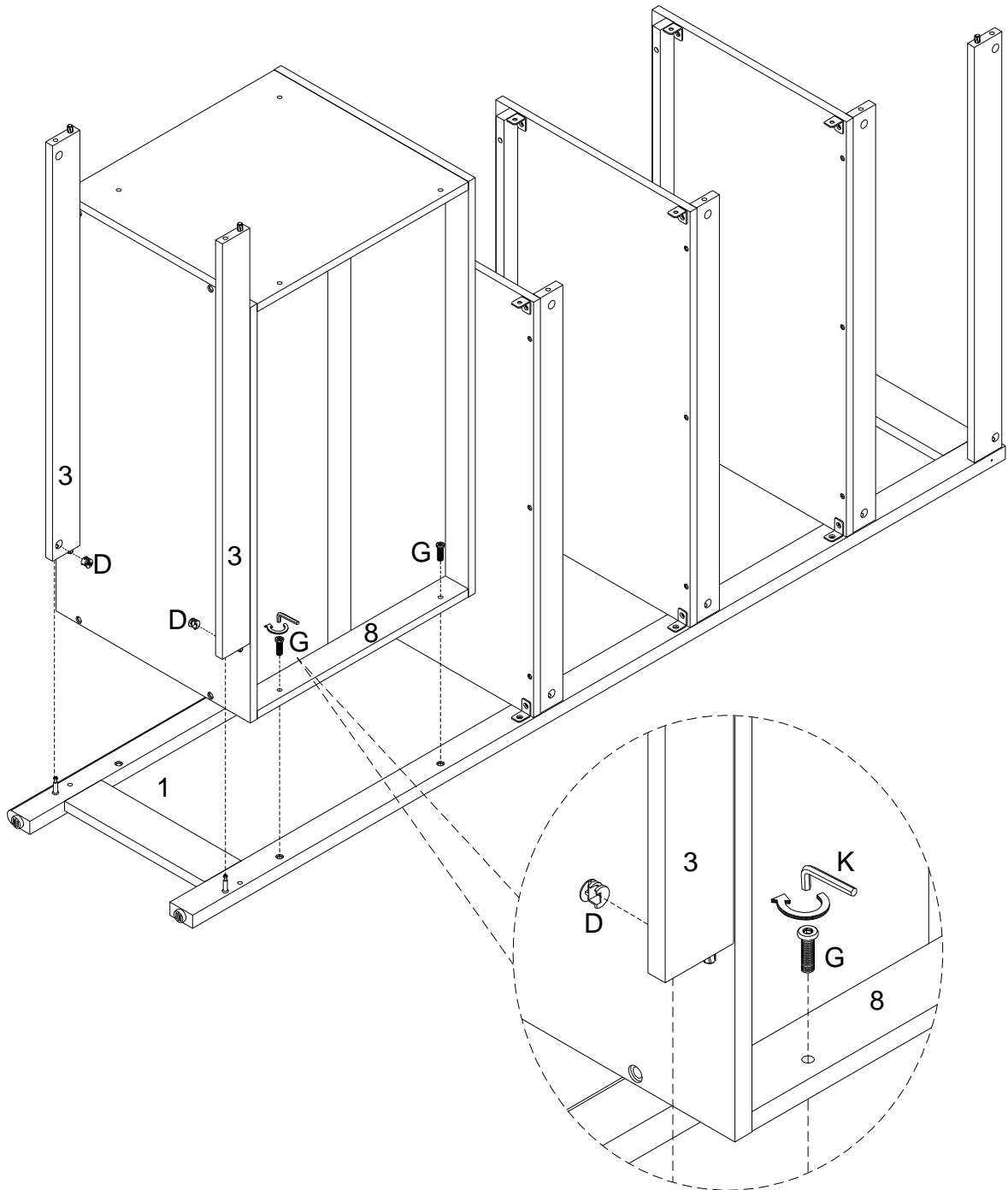
Step 16

Attach the Shelf Panels x3 (4) to the Left Panel (1). The L Shape Bracket (J) will attach to pre-drilled holes using 15mm Bolts (H). The Back Shelf Trim (5) and one of the Trim Panels (3) will attach using Cam Locks (D). Secure with screwdriver.



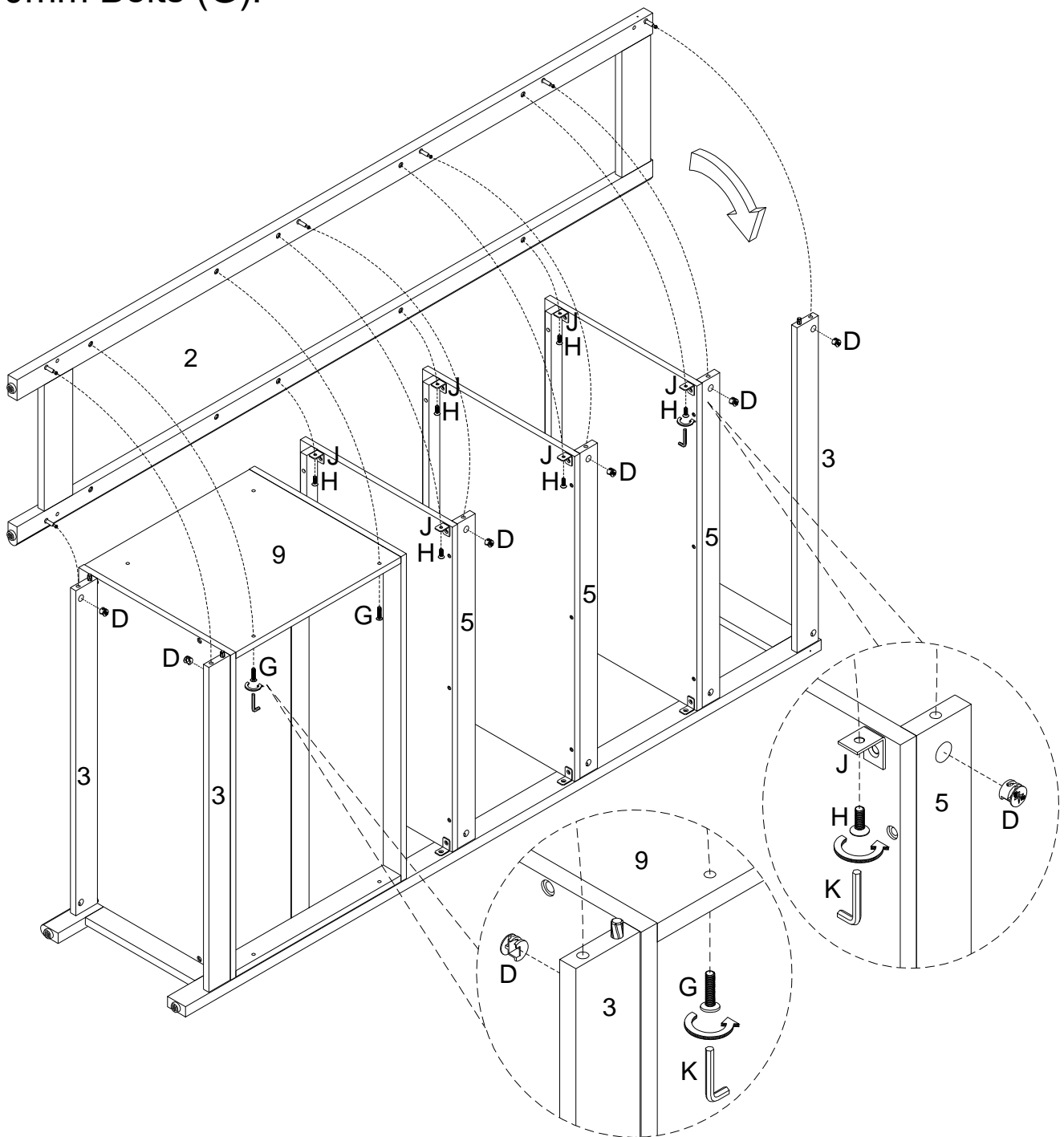
Step 17

Let's attach the Cabinet. The Left Cabinet Panel (8) will screw into the Left Panel (1) using 30mm Bolts (G). Then, attach your remaining two Trim Panels (3) using Cam Locks (D).



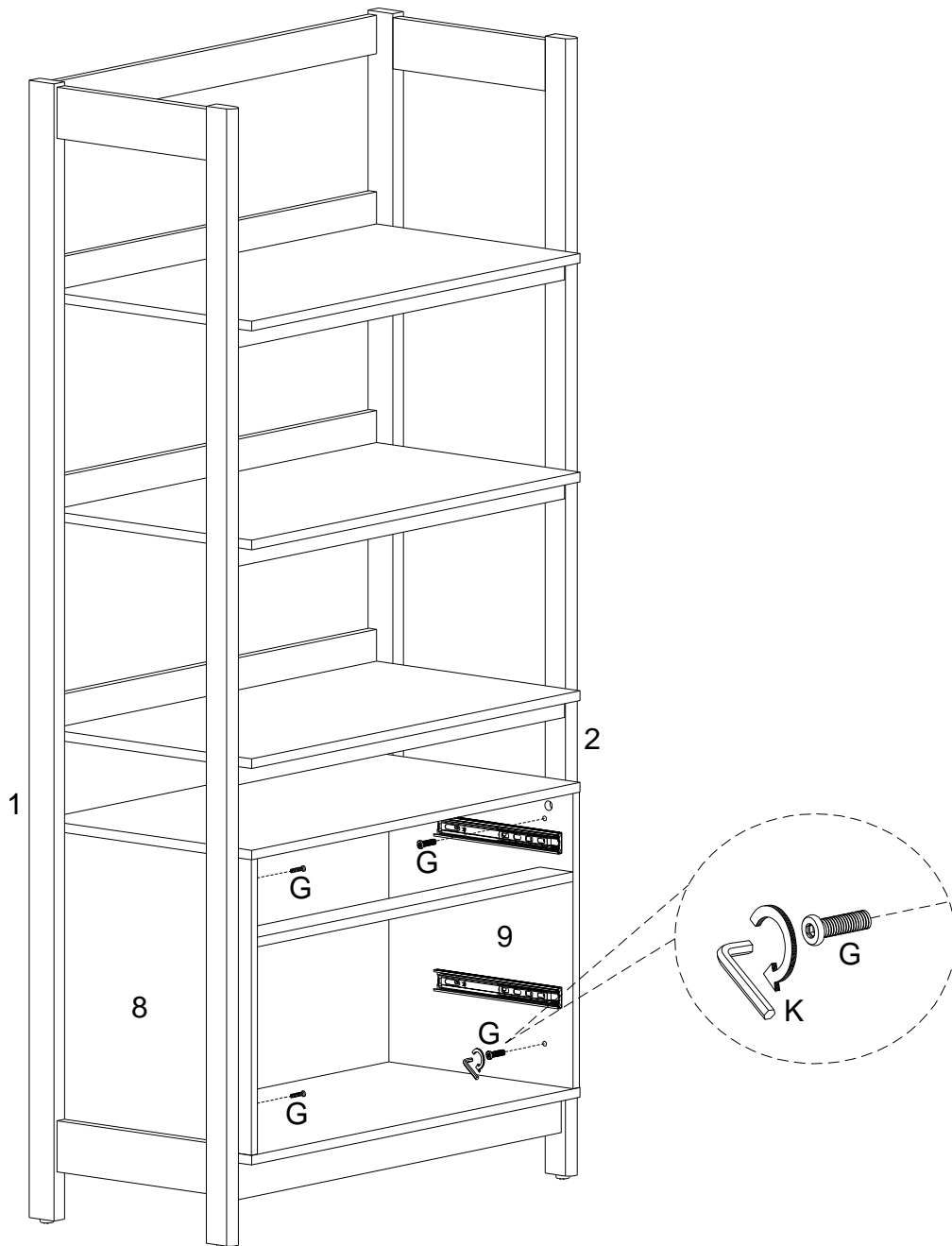
Step 18

Place the Right Panel (2) over your built pieces and repeat the same steps for this side. Attach the three Trim Panels (3), as well as the Back Shelf Trim (5) pieces using Cam Locks (D) and securing with a screwdriver. Then, attach the L Shape Bracket (J) using 15mm Bolts (H). Lastly, the Right Cabinet Panel (9) will screw into the Right Panel (2) using 30mm Bolts (G).



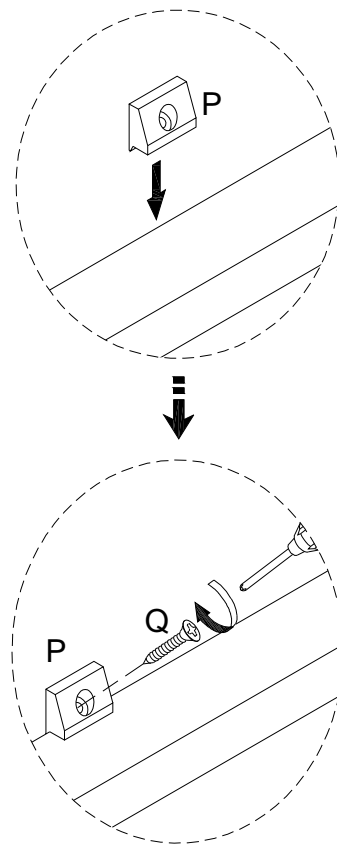
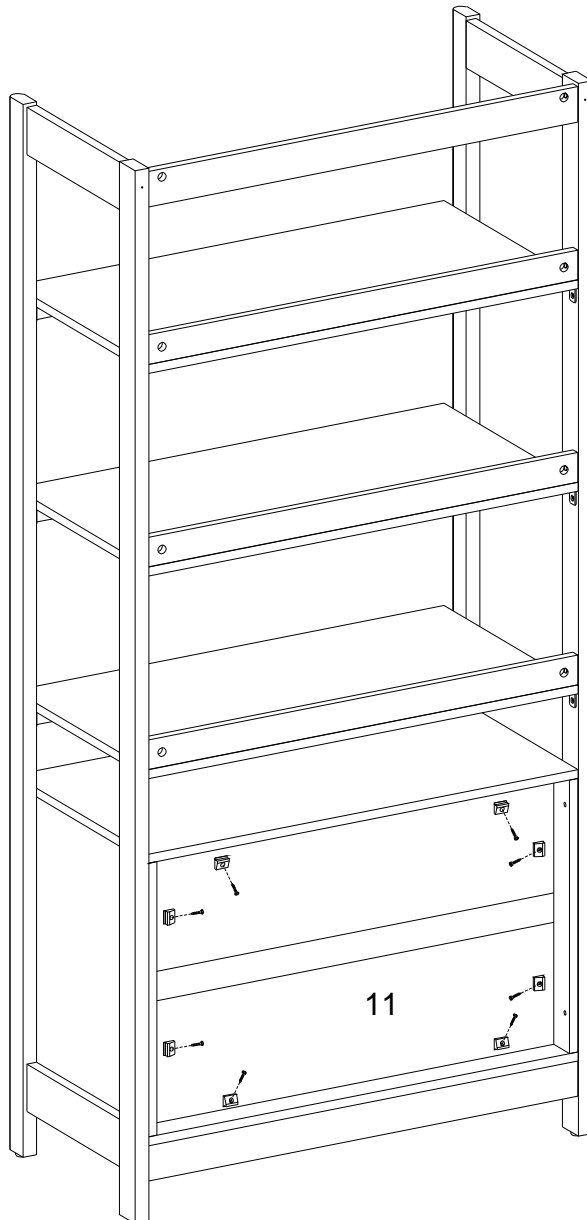
Step 19

Attach the front of the cabinet to the Left and Right Panels by using four 30mm Bolts (G).



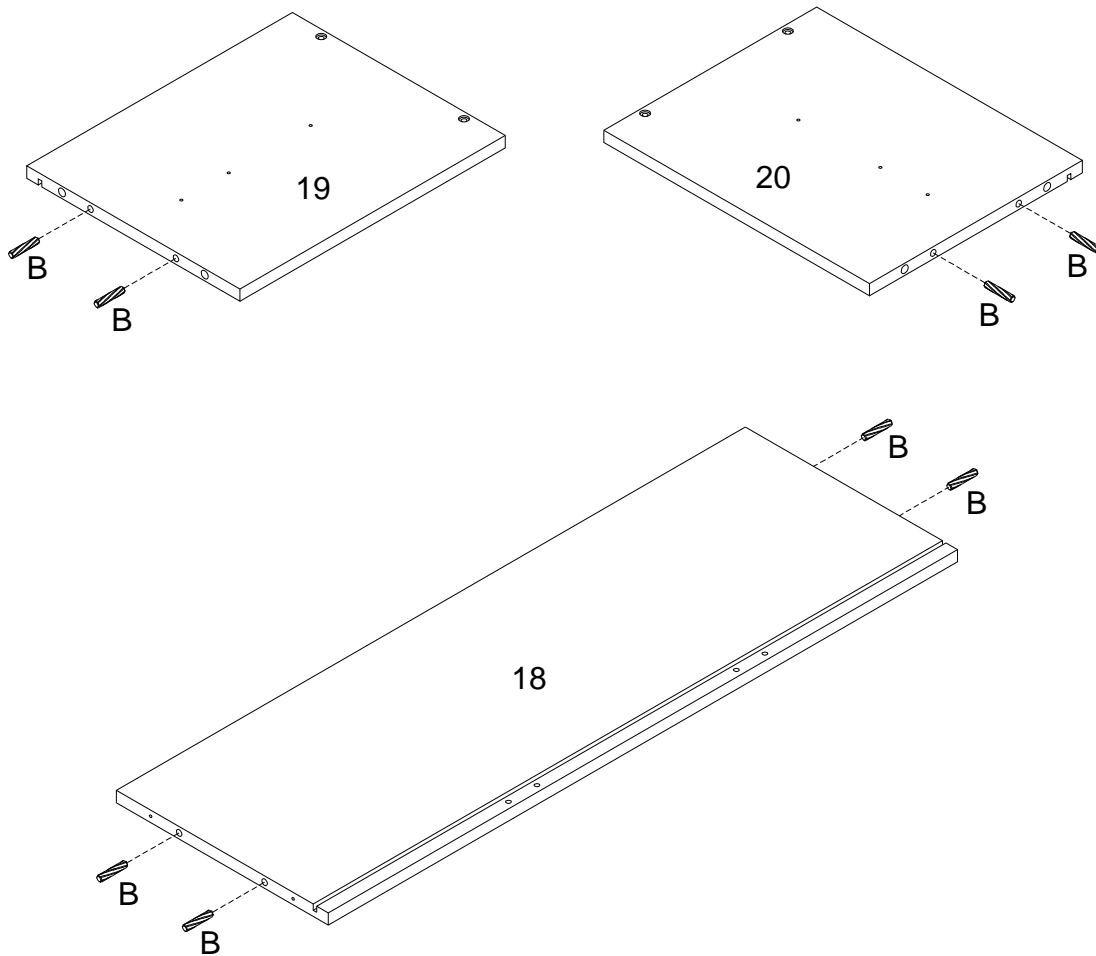
Step 20

Insert Plastic Wedges (P) into Back Panel (11) and attach with 17mm Bolt (Q)



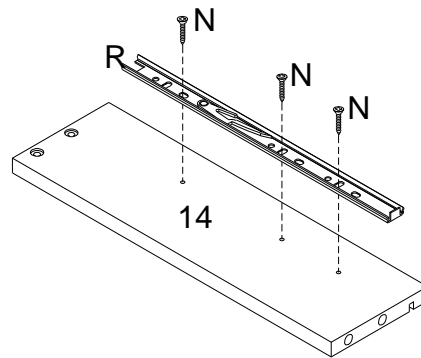
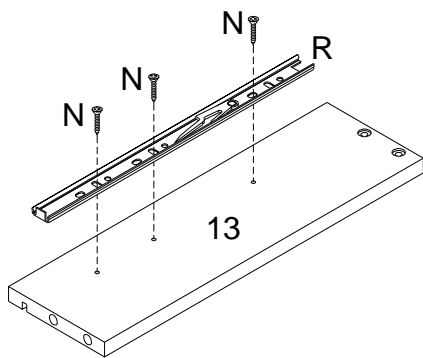
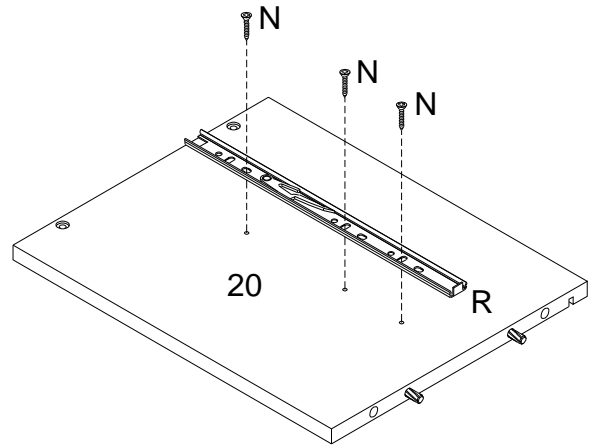
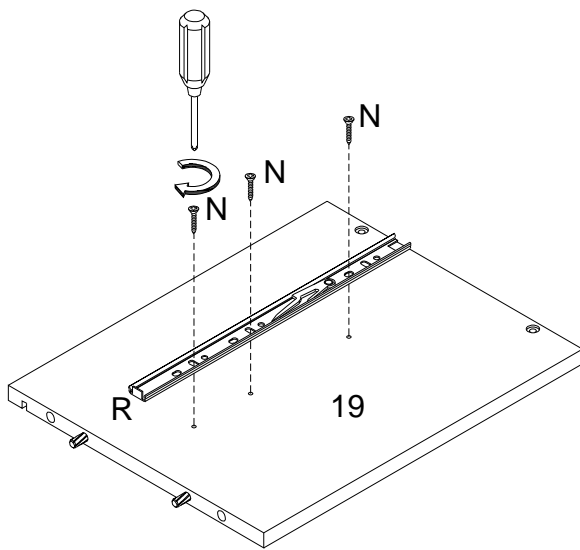
Step 21

Insert Wooden Dowels (B) into the dowel holes on the Lower Drawer Left Panel (19), Lower Drawer Right Panel (20), and Lower Drawer Back Panel (18).



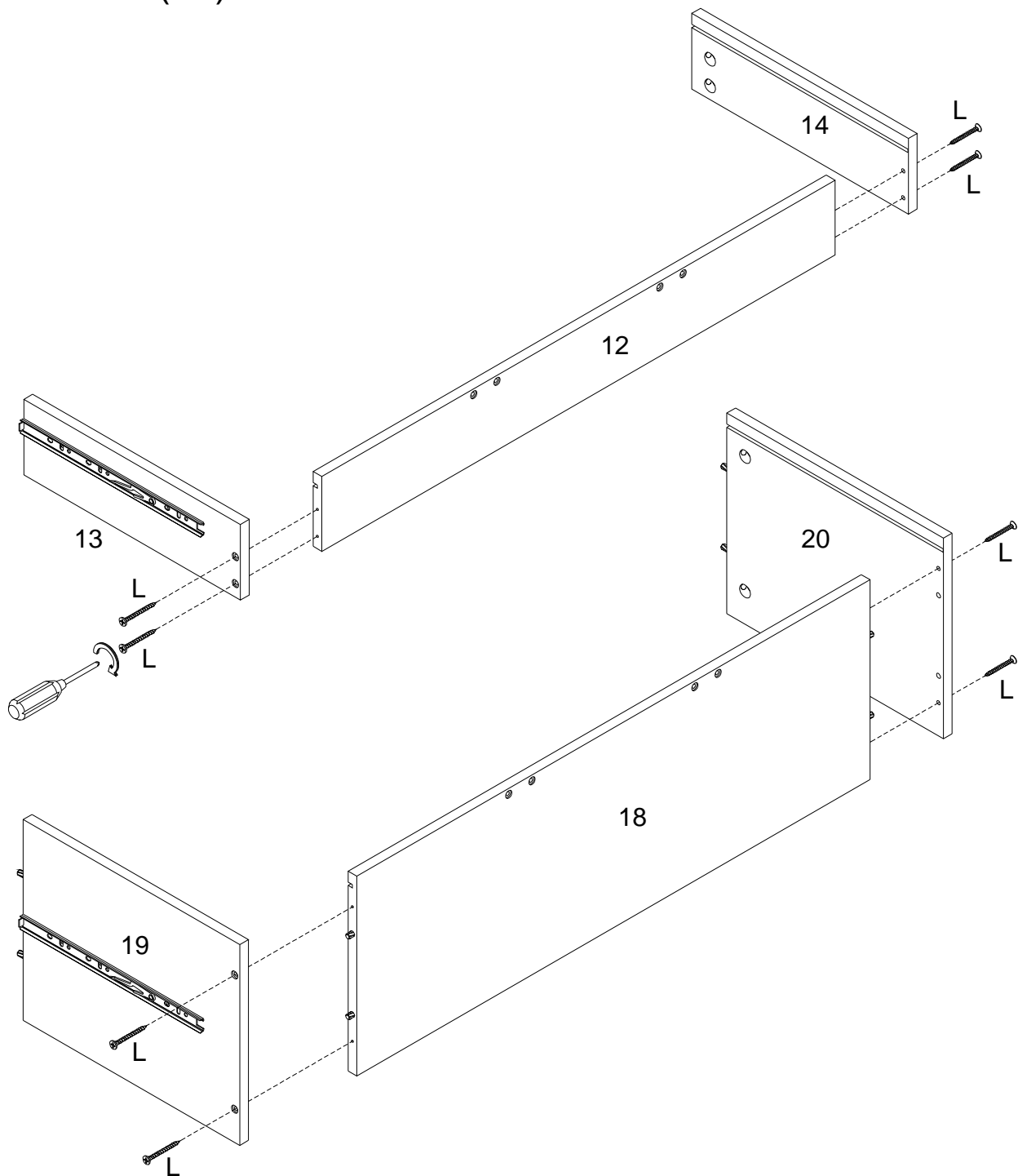
Step 22

Attach Drawer Member of the Drawer Glides (R) to the Lower Drawer Left Panel (19), Lower Drawer Right Panel (20), Upper Drawer Left Panel (13), & Upper Drawer Right Panel (14) using 12mm Screws (N).



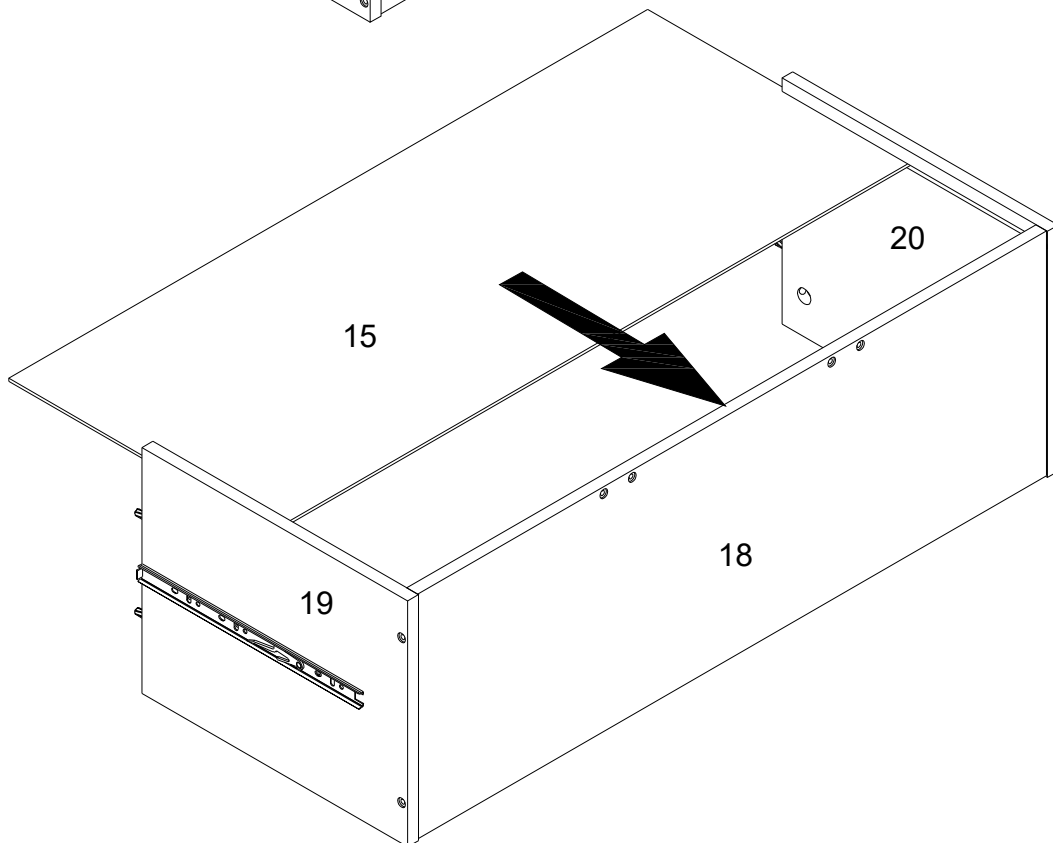
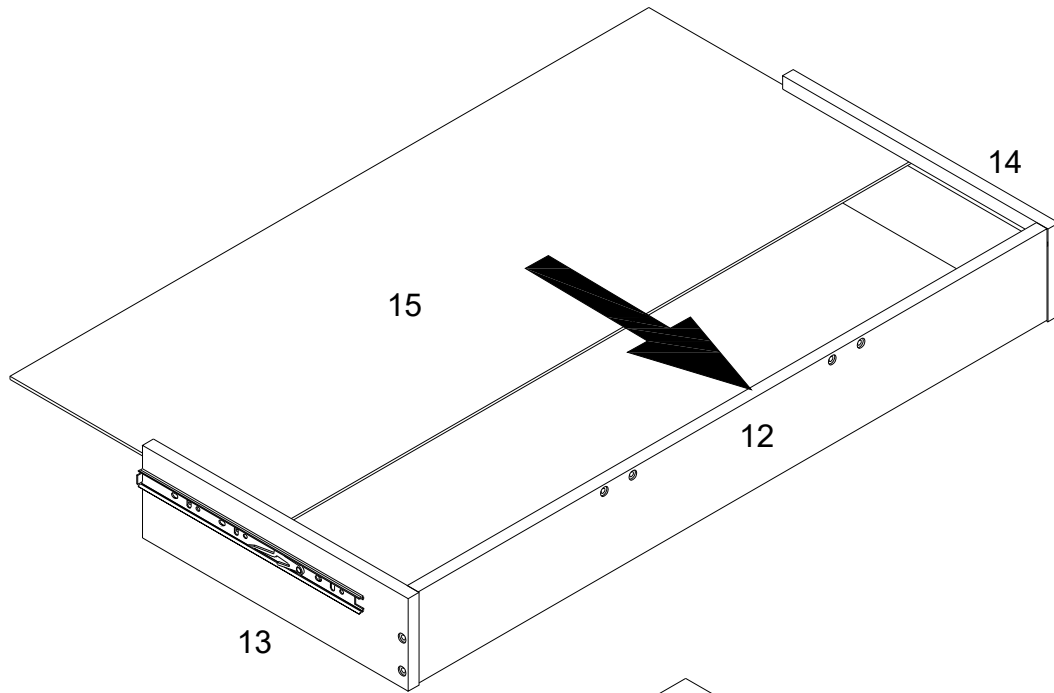
Step 23

Attach the Upper Drawer Left Panel (13) and the Upper Drawer Right Panel (14) to the Upper Drawer Back Panel (12) using 38mm Screws (L). Then attach the Lower Drawer Left Panel (19) and Lower Drawer Right Panel (20) to the Lower Drawer Back Panel (18).



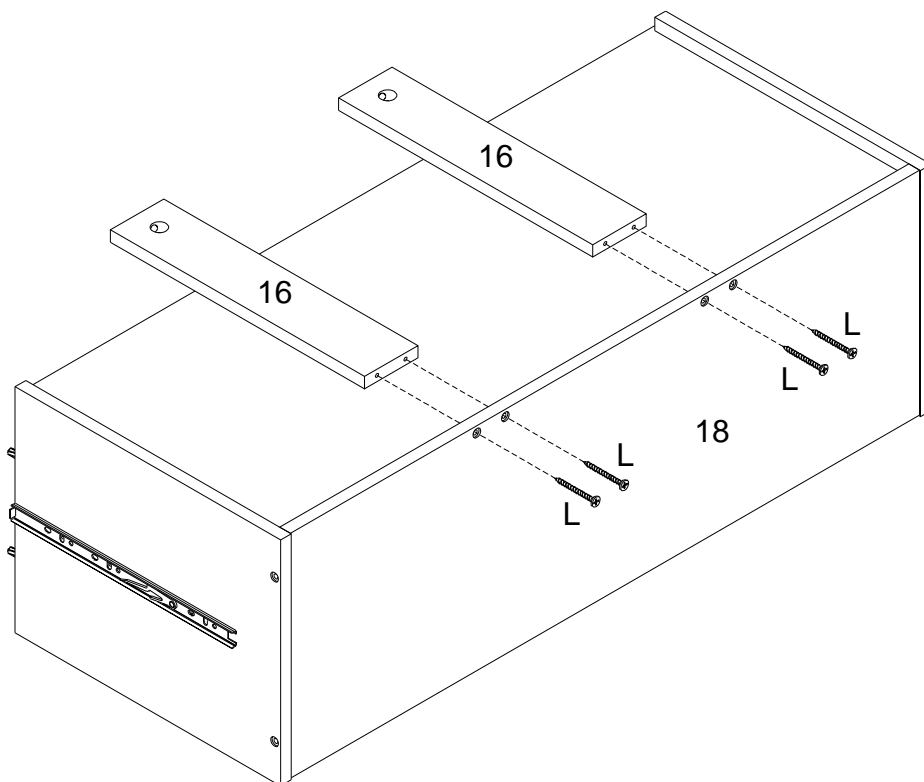
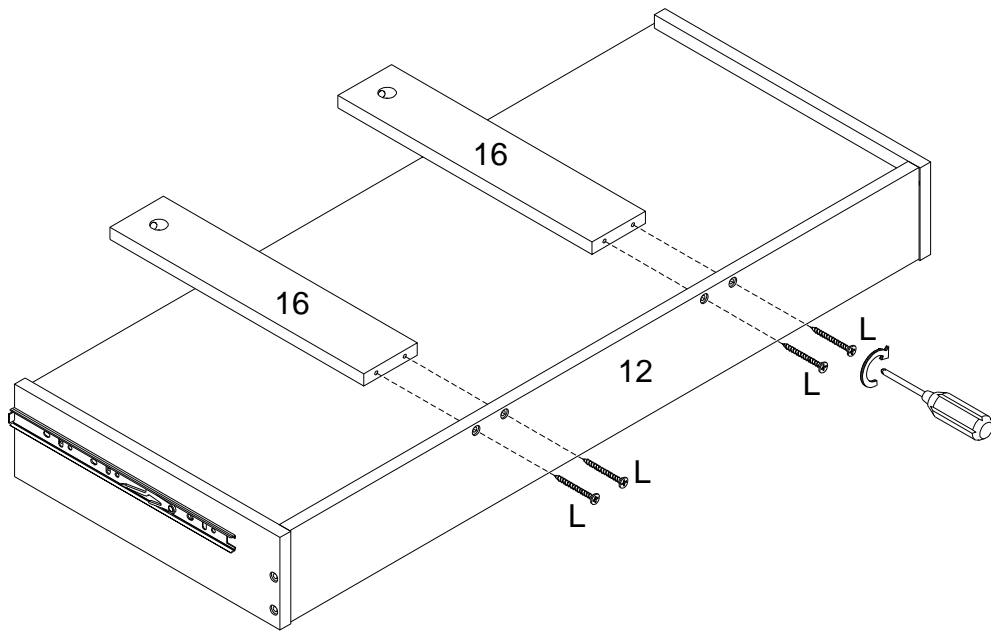
Step 24

Slide the Bottom Drawer Panels x2 (15) into the guides on both drawer boxes.



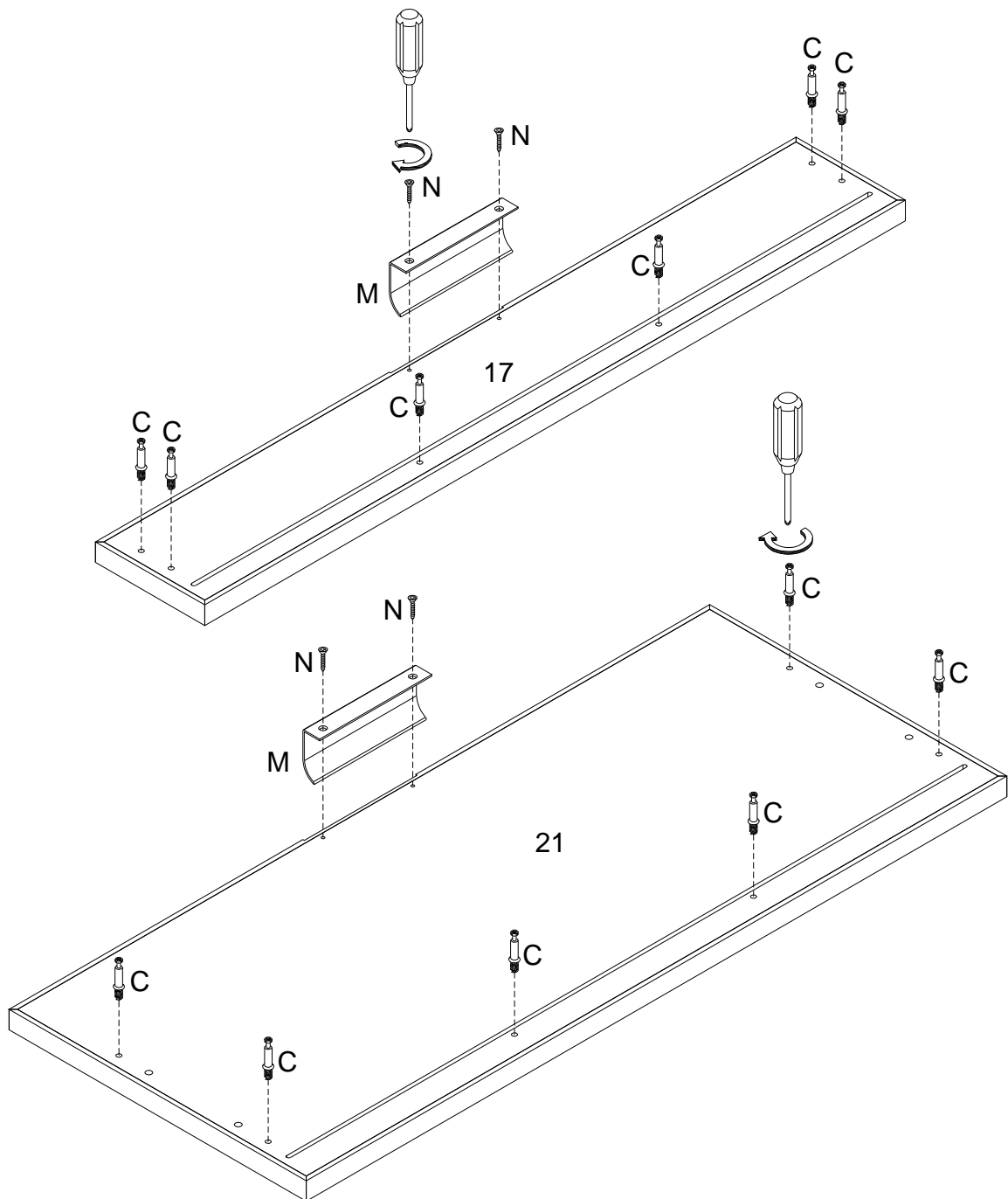
Step 25

Attach the four support panels (16) to the drawer boxes using 38mm Screws (L)



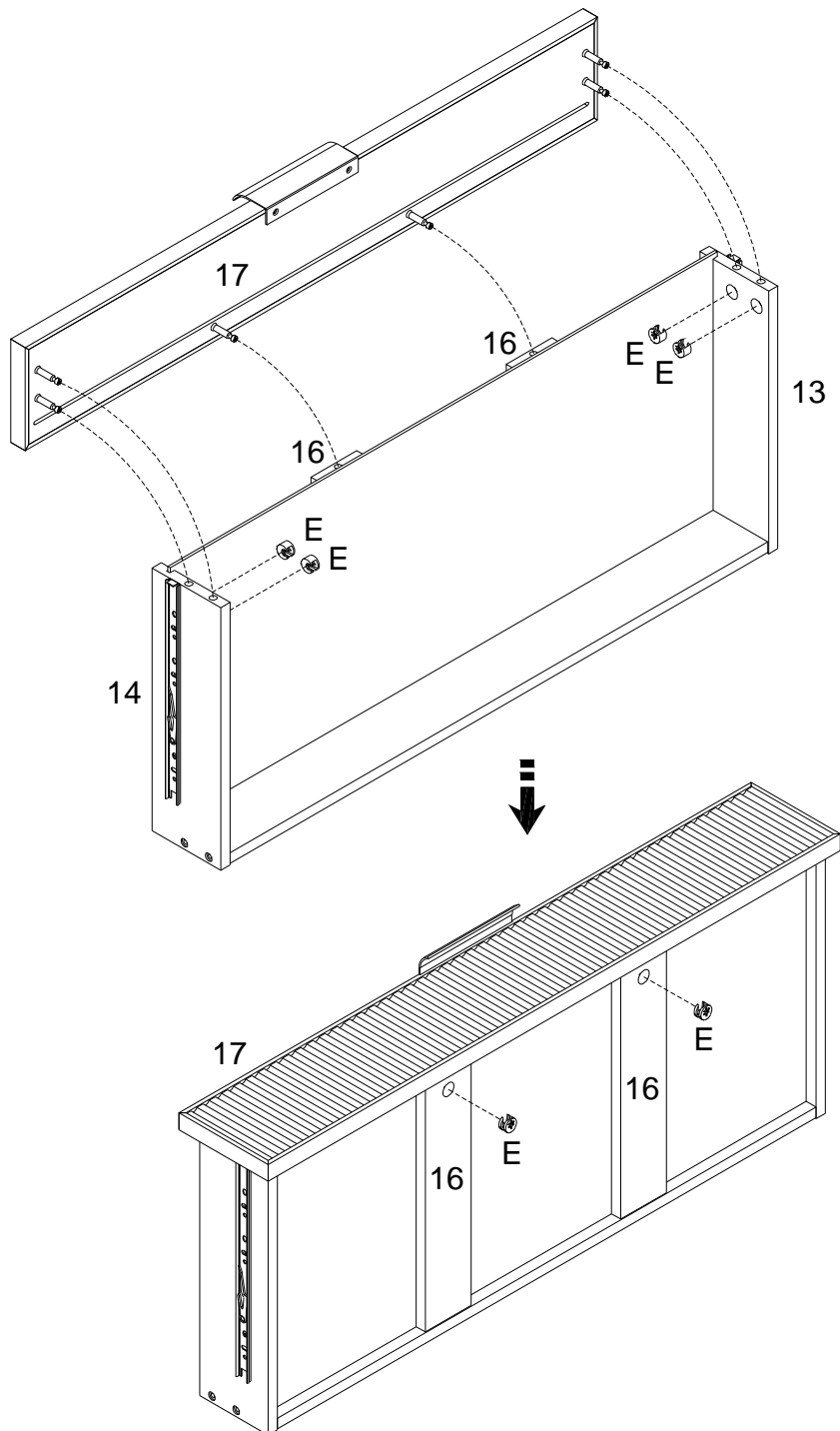
Step 26

Using a screwdriver, screw Cam Bolts (C) into place on the Upper Drawer Front Panel (17) and the Lower Drawer Front Panel (21). Next, attach the Drawer Pulls (M) using the 12mm Screws (N).



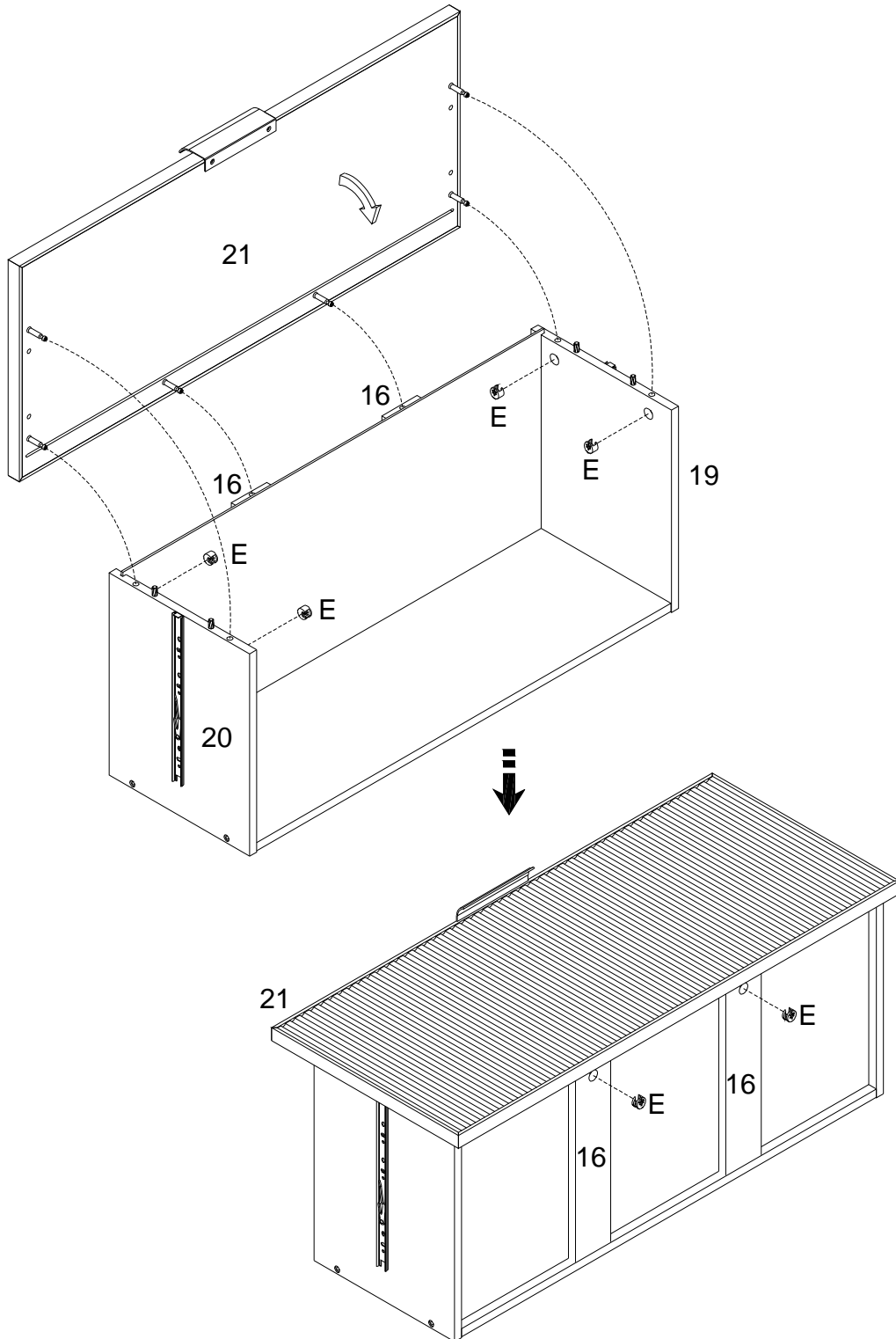
Step 27

Attach the Upper Drawer Front Panel (17) to the Upper Drawer Box using Cam Locks (E). You will secure the Cam Locks on the inside of the drawer, as well as the bottom of the drawer.



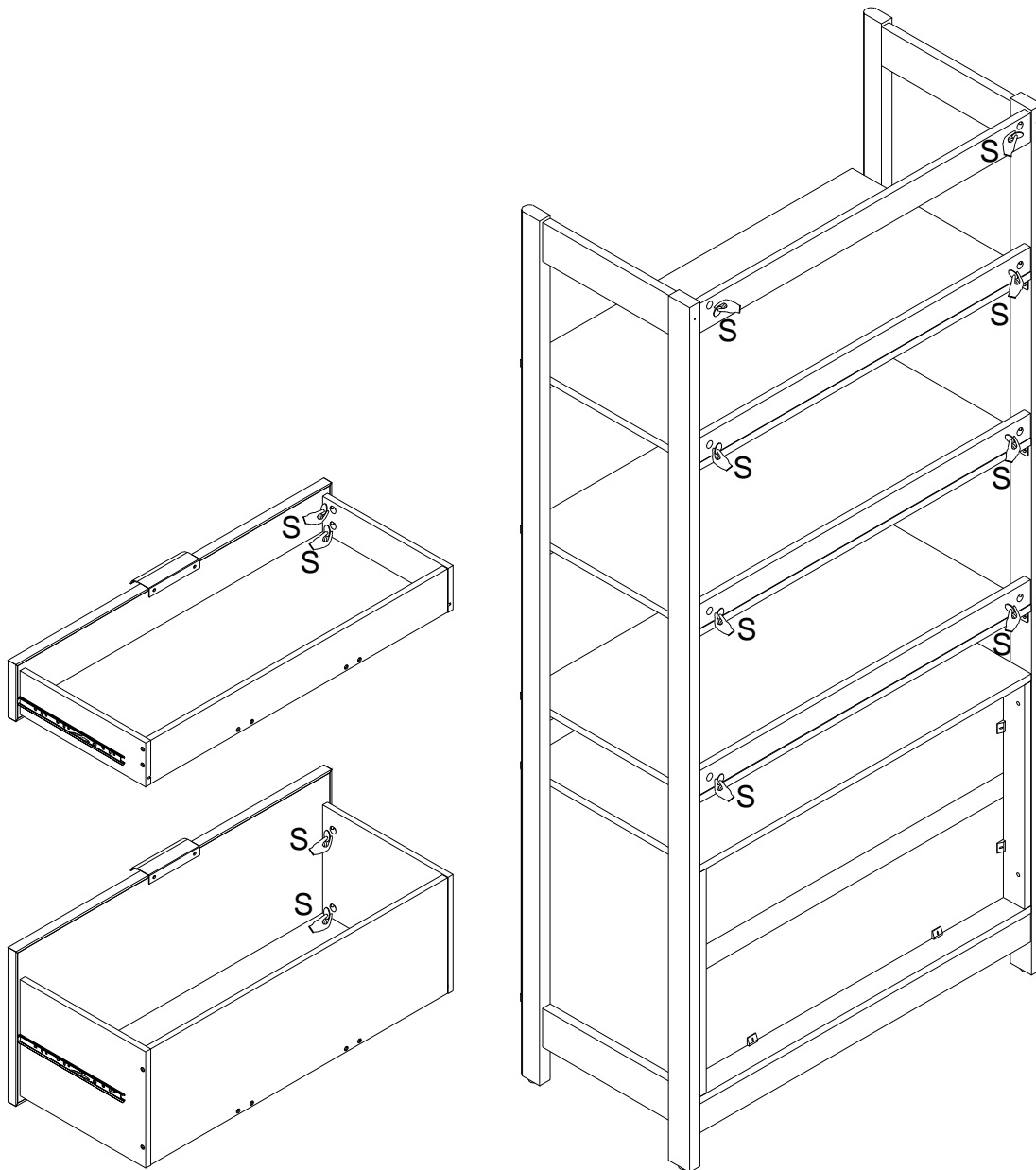
Step 28

Now, attach the Lower Drawer Front Panel (21) to the Lower Drawer Box using Cam Locks (E). You will secure the Cam Locks on the inside of the drawer, as well as the bottom of the drawer.



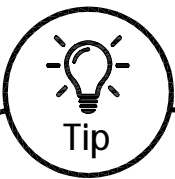
Step 29

Use Stickers (S) to cover visible Cam Locks.



Step 30

Insert the Lower Drawer into place by lining up the cabinet member and drawer member pieces of your Drawer Glides (R).

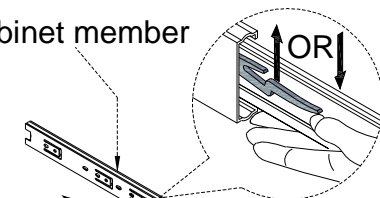


Tip

Reinserting your Cabinet Glides together

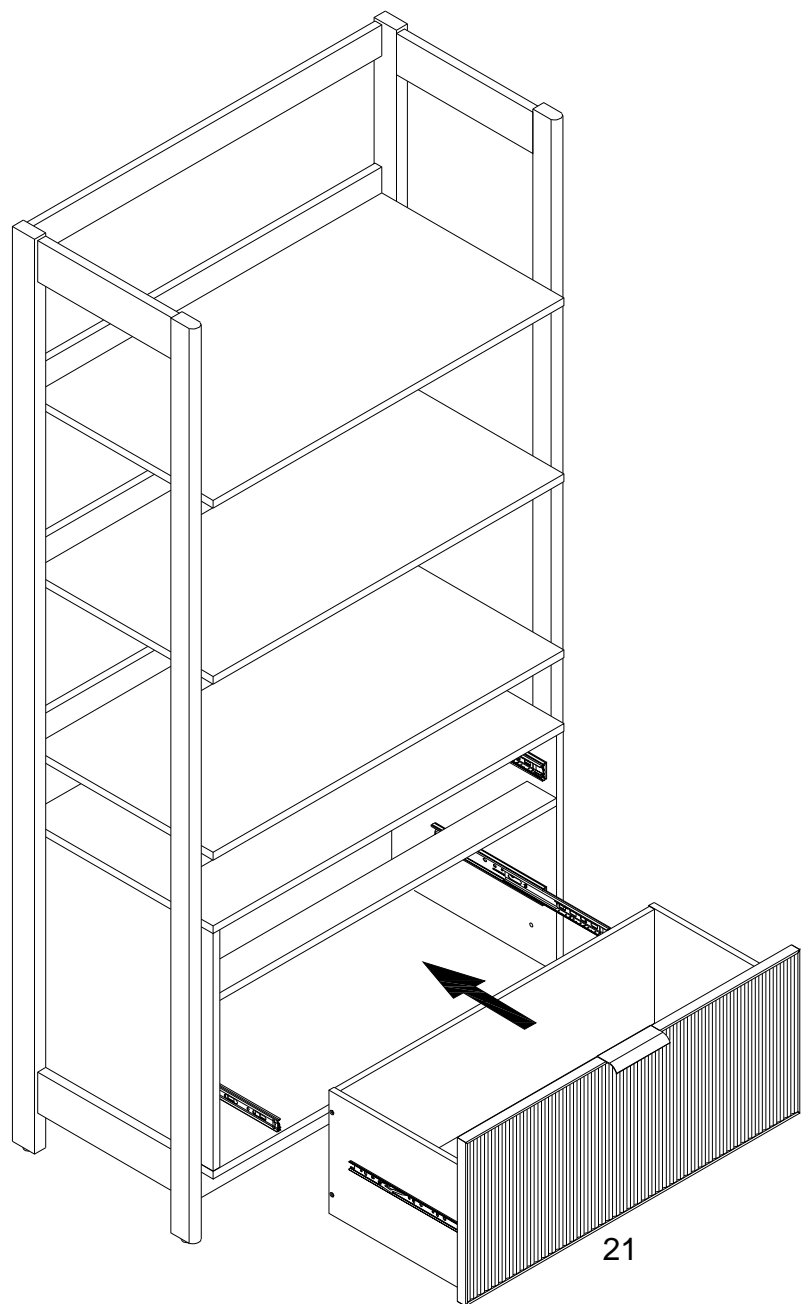
Line up the Drawer Member so it is inside the guides of the Cabinet Member. Once the connection is made, push the drawer into place entirely. It may not be a smooth glide on your first try, but will improve after it's fully inserted.

Cabinet member



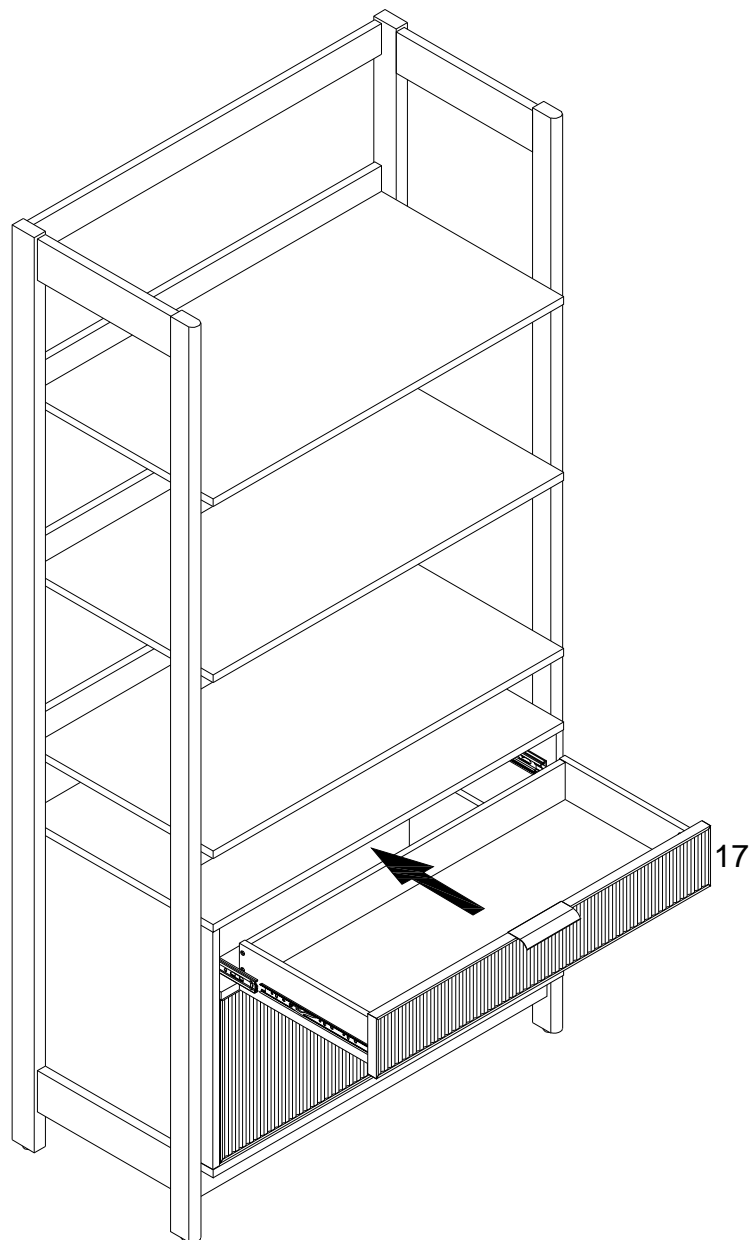
Drawer member

R



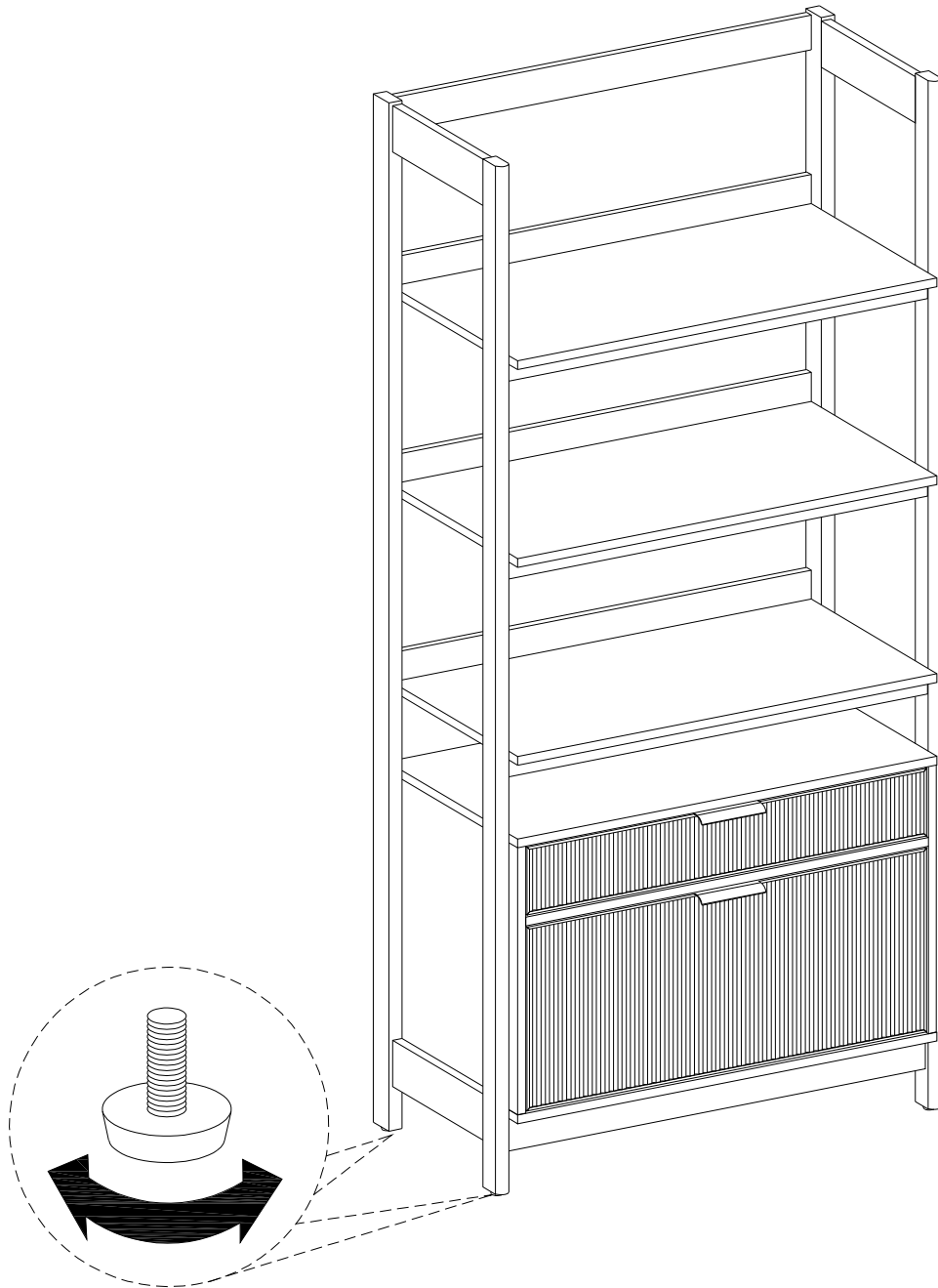
Step 31

Insert the Upper Drawer into place by lining up the cabinet member and drawer member pieces of your Drawer Glides (R).



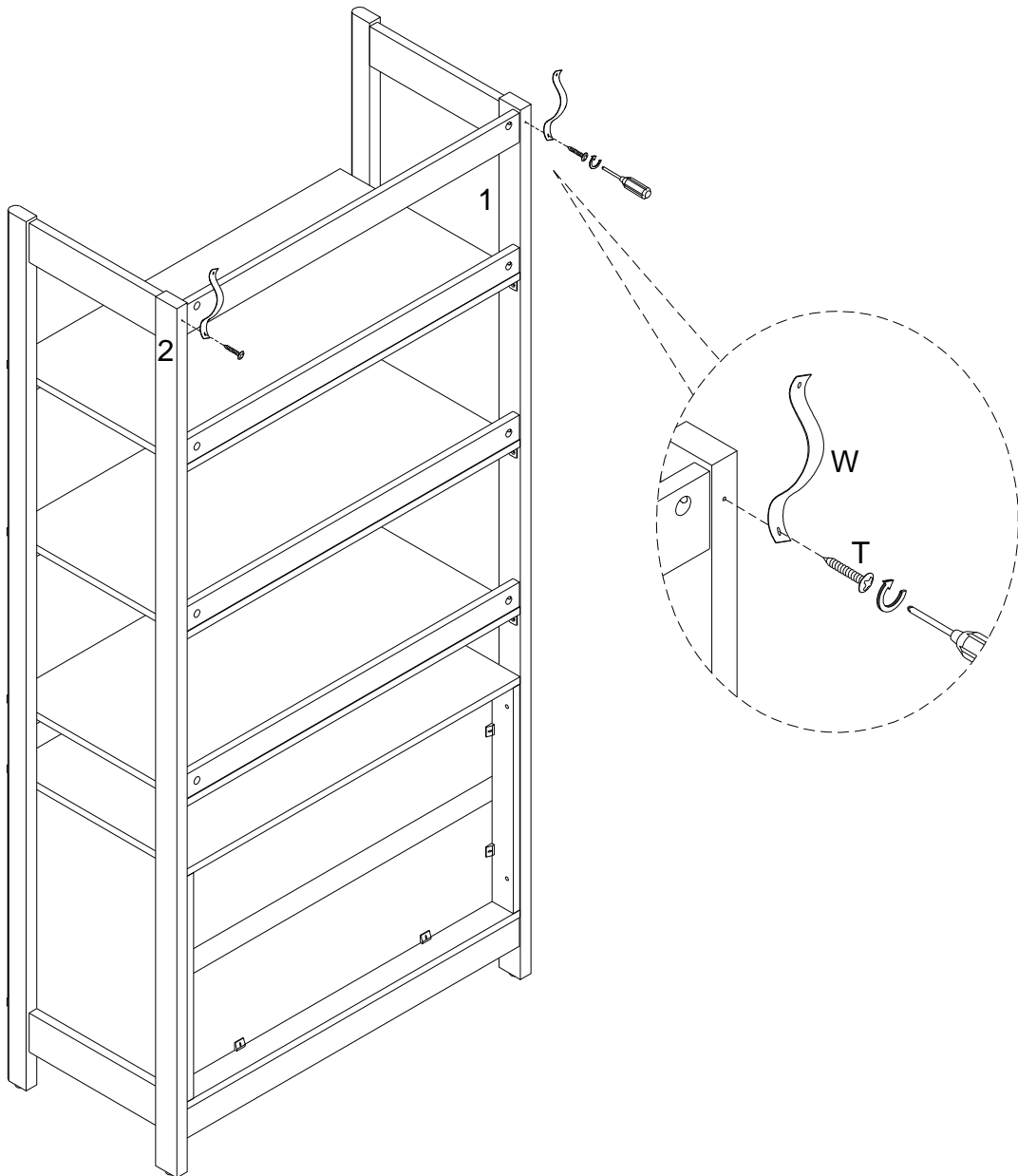
Step 32

Use the adjustable feet to ensure your bookcase is level.



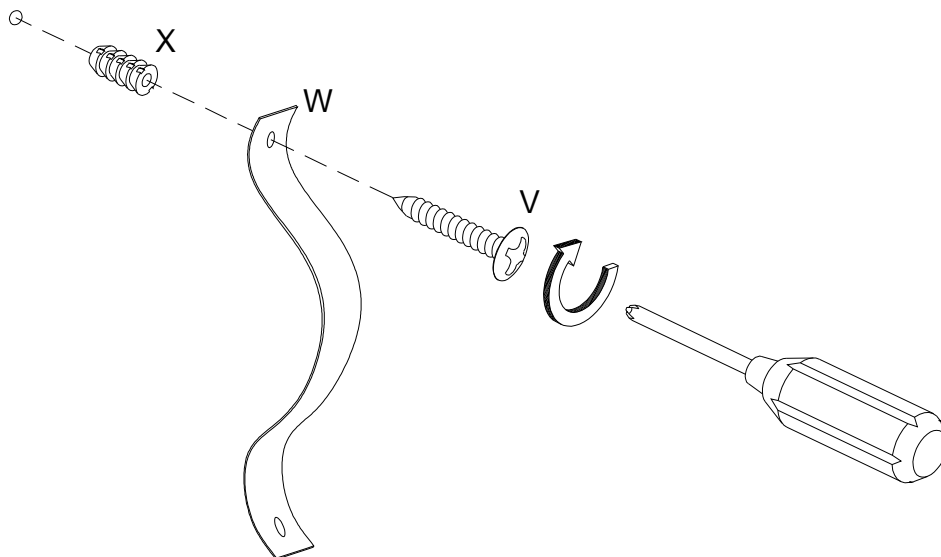
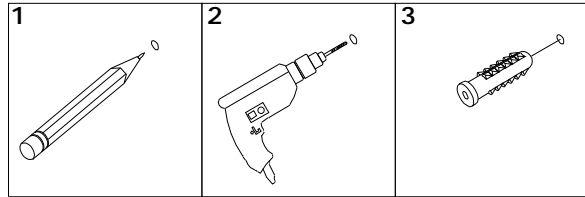
Step 33

Great work, you're in the home stretch. Let's secure your bookcase to the wall. Attach the Plastic Strip (W) to your bookcase using the 12mm Screw (T).



Step 34

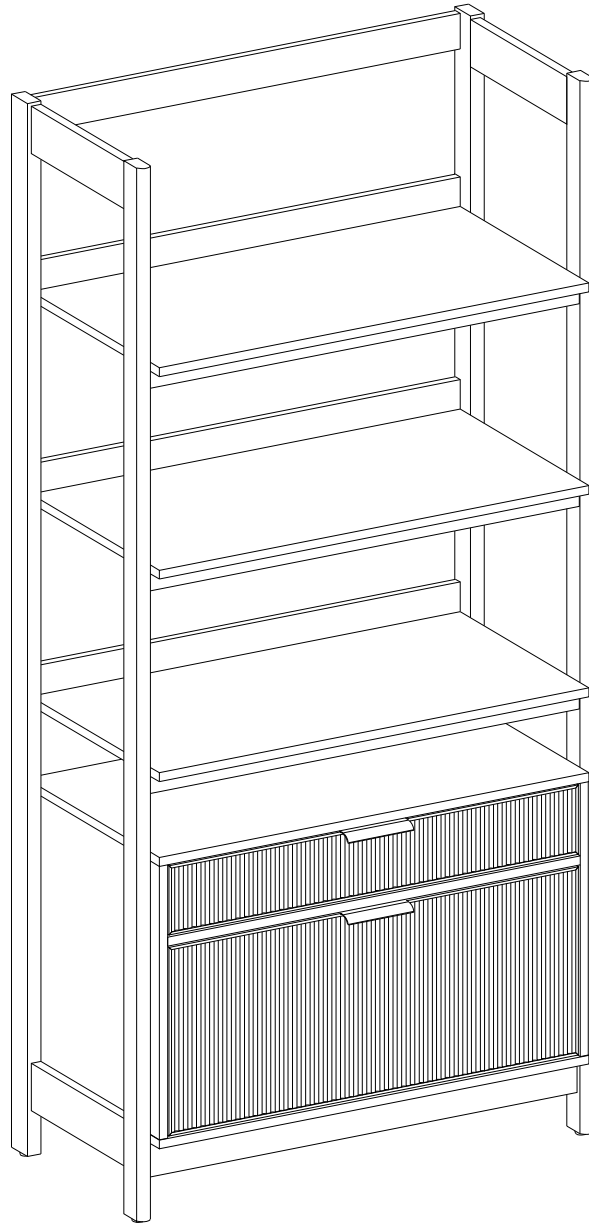
Insert the Wall Anchor (X) into the wall. Next, secure the Plastic Strip (W) to the wall using the 25mm Screw (V).



Warning

Serious or fatal injuries can occur from furniture tipping over. To prevent the furniture from tipping over we recommend that it is permanently fixed to the wall. Wall anchor and hardware are included with this product. Please make sure hardware is suitable for your walls before installing, as different wall materials may require different types of anchors.

Final Assembly



Congratulations on your new piece of furniture!

We would love to hear about it and see it.
Please leave us a review or post a picture with
[#mywalkerredisonhome](#)

Assembling furniture can be tricky sometimes.

Our customer service team, located in Utah, is here for product information, help assembling a product, or for any other customer support issue

Call us at **801-433-3008**

Email us at service@walkeredison.com

Visit our Customer Service website at walkeredison.com/pages/customer-service

We are available to help Monday -Thursday 8am-5pm, Friday 8am-3pm MST

For details on Assembly Videos, Assembly Instructions, Replacement Parts, and Customer service,

SCAN HERE

