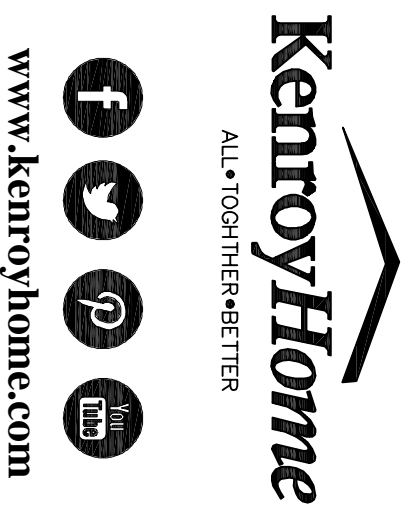
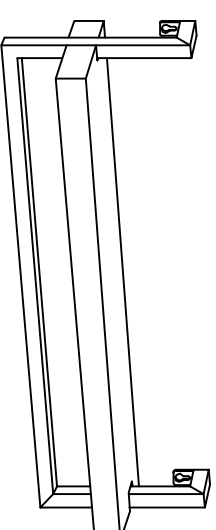




USE AND CARE GUIDE

CANTILEVER WALL SHELF



www.kenroyhome.com

CUSTOMER SUPPORT TEAM

For any additional questions or concerns please contact our Customer Support Team:

 **904-642-4340**

 **@KenroyHome**

 **customerorders@kenroyhome.com**

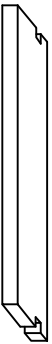


Questions, problems, missing parts? Before returning to the store, call Kenroy Home Customer Service
8 a.m.-6 p.m., EST, Monday-Friday

904-642-4340

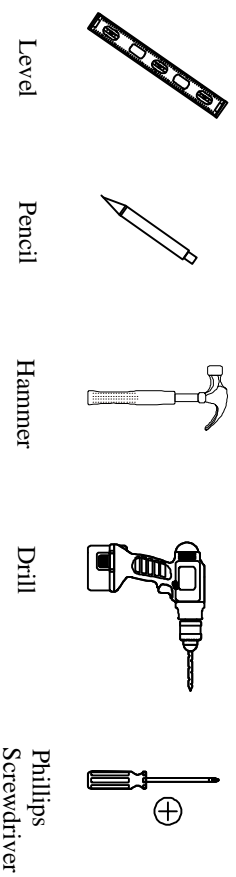
THANK YOU

We appreciate the trust and confidence you have placed in Kenroy Home through the purchase of this mirror. We strive to continually create quality products designed to enhance your home. Thank you for choosing us!

You should have received the following parts in the package. Please ensure that all parts are accounted for.

<p>A</p> <p>Wood panel</p> 	<p>B</p> <p>Metal frame</p> 
<p>1 PC</p>	<p>1 PC</p>
<p>C</p> <p>Wood screw</p> 	<p>2 PC</p>

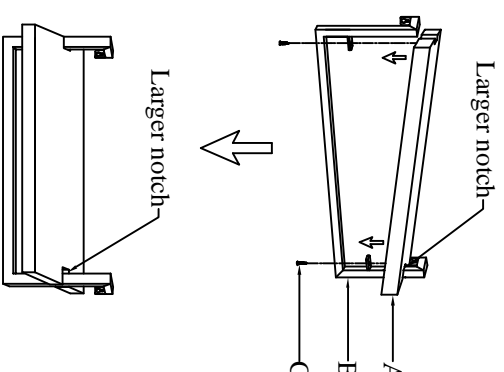
SUGGESTED TOOLS (NOT SUPPLIED)



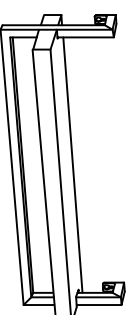
Installation instructions

1. Slide wood panel (A) into metal frame (B) and secure with (2) wood screws (C).

NOTE: Larger notch in shelf needs to slide down onto frame first. Larger shelf area should face away from the wall.



2. Measure the distance between the brackets, mark spots on the wall.



NOTE: Hardware not supplied, contact your local hardware professional to choose an attachment mechanism appropriate for your wall.

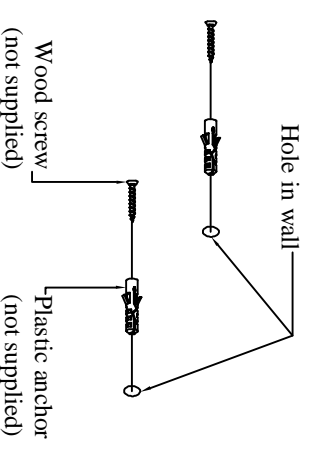
If installing to drywall, please see below:

- 3A. Install (2) wood screws (not supplied) to the studs.



- 3B. Drill pilot holes on the marked spots and insert (2) plastic anchors (not supplied).

- 3C. Install (2) wood screws (not supplied) to the (2) plastic anchors.



4. Hang shelf to wall by attaching the hole on back of the metal frame (B) to the wood screws.

