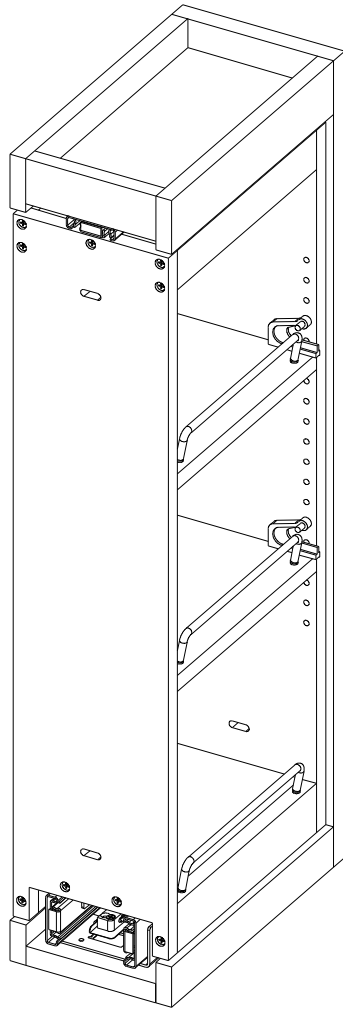


CUSTOMER DRAWING

This drawing is the property of Rev-A-Shelf (RAS) and is disclosed in confidence to the extent its subject matter is original to RAS. Any vendor receiving this drawing from RAS shall hold and use this drawing for the sole benefit of RAS and shall not disclose it to, or use or reproduce it for any third party, or perform any act adverse to the interest of RAS with respect to this drawing without the express written permission of RAS. Vendors shall not revise any physical, dimensional or performance characteristic unless authorized by Rev-A-Shelf Engineering.

REV.	DATE	BY	DESCRIPTION OF CHANGE

INCH [MM] 	AMERICAN PROJECTION	BY	DATE	
		DRAWN	DKK 11-9-17	
MATERIAL FINISH				SIZE <b>B</b>
DRAWING NO. 432-WFBBSC30-6C				SCALE 0.250
PART NO. 432-WFBBSC30-6C				SHEET OF 1 2
<b>TOLERANCES</b> MAT. DEC. (WOOD) .XX ±.03 [8mm] (OTHER) .XX ±.02 [5mm] (ALL) .XXX ±.005 [13 mm] FRACTIONS ±1/32 [8 mm]				
ANGLES ±1/2°				



MIN CABINET OPENING	
WIDTH	6.00"
DEPTH	11.13"
HEIGHT	30.00"

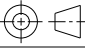
PRODUCT MAX WEIGHT RATING BMHA STANDARDS
---

SLIDE SPECIFICATIONS				
SLIDE TYPE	BALL BEARING	SLIDE EXTENSION	FULL	MAX WEIGHT RATING
SLIDE CLOSING	N/A	SLIDE LENGTH	267MM	
SLIDE MOUNTING	N/A	SLIDE FINISH	ZINC	
				100 LB

CUSTOMER DRAWING

This drawing is the property of Rev-A-Shelf (RAS) and is disclosed in confidence to the extent its subject matter is original to RAS. Any vendor receiving this drawing from RAS shall hold and use this drawing for the sole benefit of RAS and shall not disclose it to, or use or reproduce it for any third party, or perform any act adverse to the interest of RAS with respect to this drawing without the express written permission of RAS. Vendors shall not revise any physical, dimensional or performance characteristic unless authorized by Rev-A-Shelf Engineering.

REV.	DATE	BY	DESCRIPTION OF CHANGE						

INCH [MM]	AMERICAN PROJECTION 	DRAWN	BY	DATE	DRAWING NO. 432-WFBBSC30-6C	SCALE 0.250
			DKK	11-9-17		
				SIZE	PART NO. 432-WFBBSC30-6C	SHEET OF 2 2
				B		
				TOLERANCES		
				MAT. DEC.		
				(WOOD) .XX ±.03 [8mm]		
				(OTHER) .XX ±.02 [5mm]		
				(ALL) .XXX ±.005 [13mm]		
				FRACTIONS ±1/32 [8mm]		
				ANGLES ±1/2°		