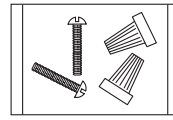


NOTES:

- Chandeliers come in multi-part assemblies. For extended length fixtures, continue to Part 2 on backside. Images below are examples of a standard length fixture.
- **DO NOT REMOVE THE BLUE TAPE** The blue tape on the stem assembly threads will lock the two pieces together.

INCLUDED HARDWARE + TOOLS:



Wiring Kit (x1)



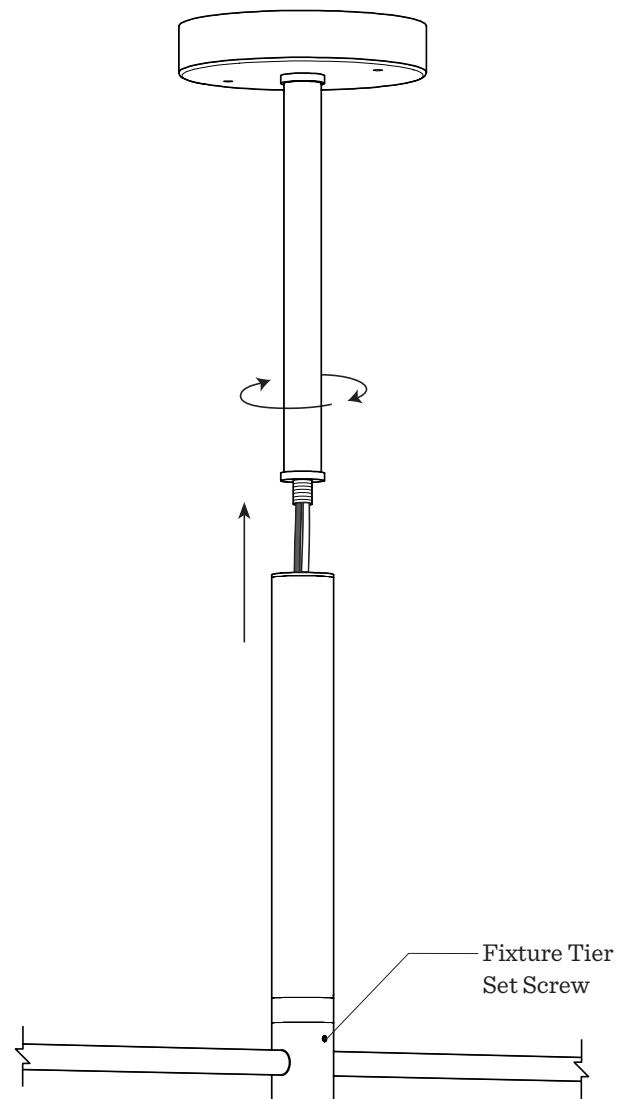
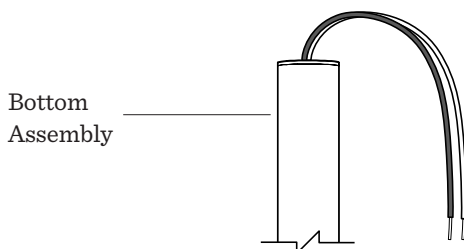
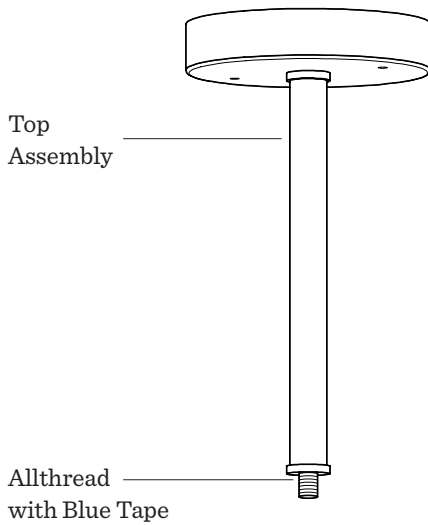
Hex Wrench (x1)



Set Screw (x1)

PART 1 - ASSEMBLY INSTRUCTIONS (ALL CHANDELIERS)

1. Pass wires from Bottom Assembly through Top Assembly (Center Assembly for extended length.)
2. Insert Top Assembly Allthread (Center Assembly for extended length) into Bottom Assembly and tighten firmly until secure.
3. If extended length, continue to Part 2 on backside. Otherwise, continue to Part 3 - Installation Instructions.

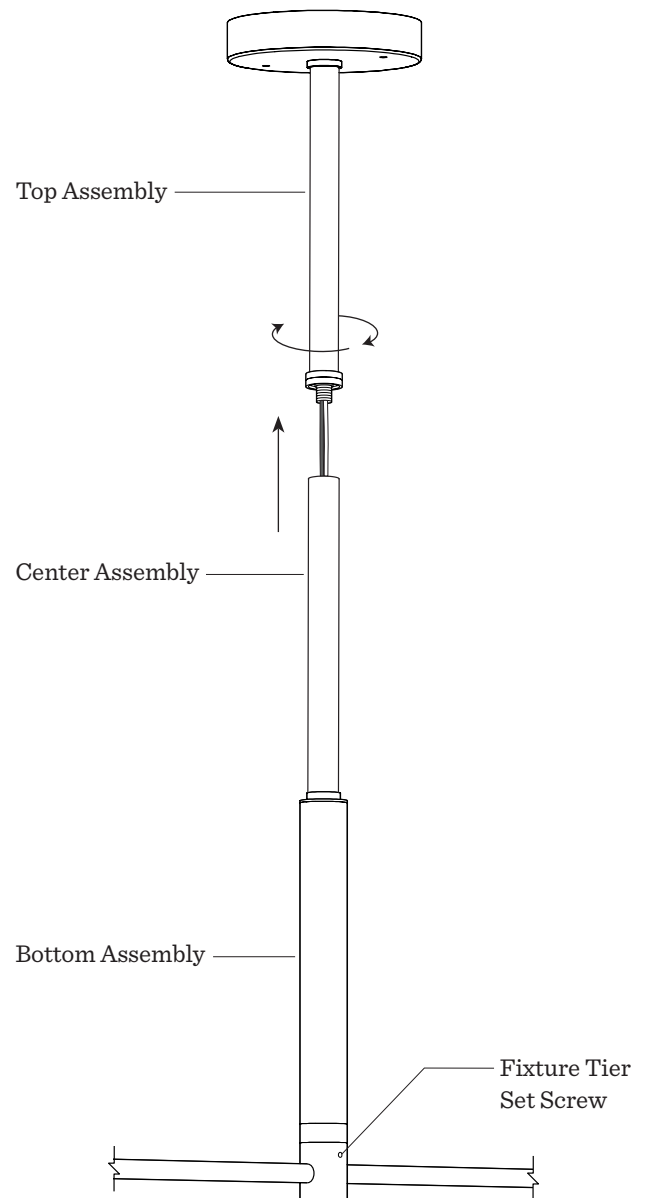
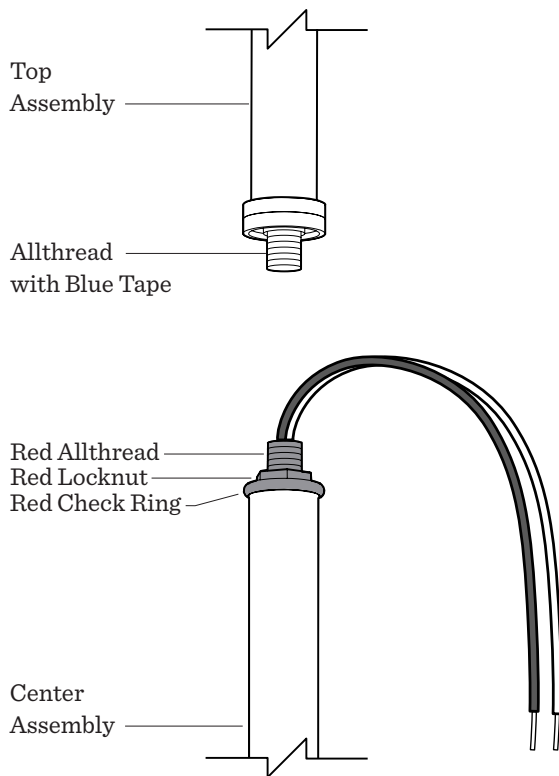


NOTES:

- **DO NOT REMOVE THE BLUE TAPE** The blue tape on the stem assembly threads will lock the two pieces together.

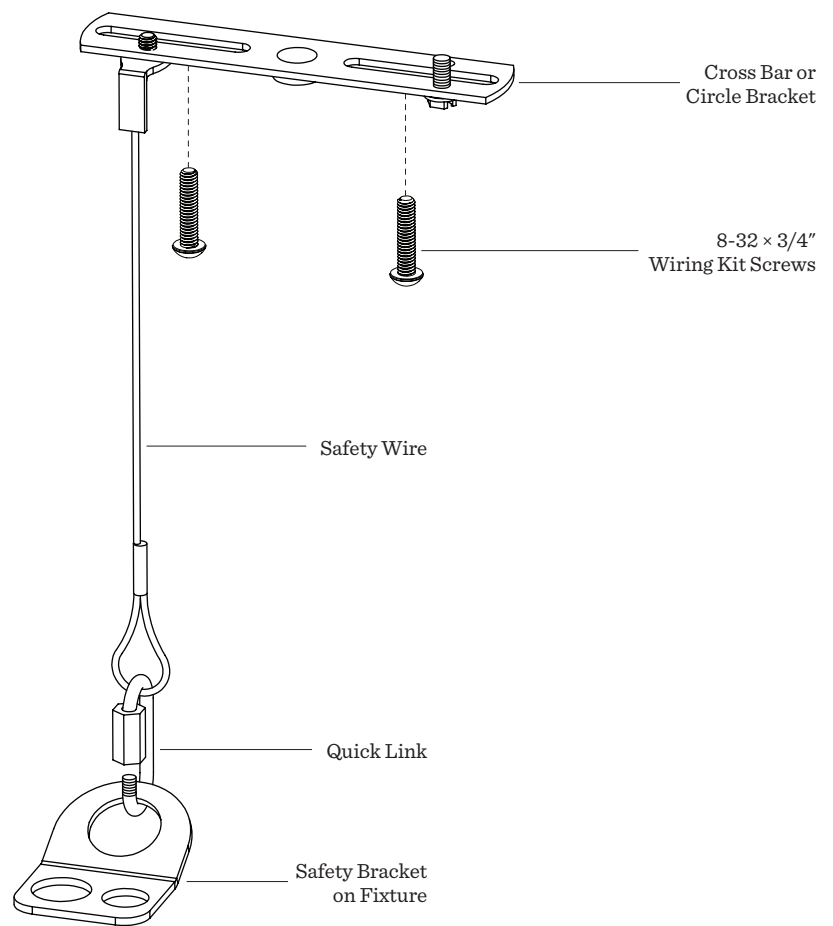
PART 2 - ASSEMBLY INSTRUCTIONS (ONLY REQUIRED FOR EXTENDED LENGTH)

1. Remove all red painted components by unthreading the Red Locknut, Red Allthread and taking off the Red Check Ring from Center Assembly. Set parts aside.
2. Pass wires from Bottom Assembly through Top Assembly.
3. Insert Top Assembly allthread into Center Assembly coupling and tighten firmly until secure.
4. Continue to installation instructions.



PART 3 - INSTALLATION INSTRUCTIONS AND SAFETY CHAIN

1. Install the Crossbar or Circle Bracket to junction box.
2. Locate Quick Link on end of Safety Wire.
3. Unscrew Quick Link counterclockwise to open. Loop through Safety Bracket attached to fixture.
4. Screw Quick Link clockwise closed to secure Safety Chain connection.
5. Wire fixture to Junction Box using provided Wiring Kit. Consult electrician if necessary.



NOTES:

- Installation of glass shades is recommended AFTER fixture is assembled and installed.
- The included Glass Shade is designed for Gillespie fixtures only. Do not install any other shade.
- **WARNING:** For tiered chandeliers, add shades to both sides of the rod before moving on to another rod to maintain balance.

PART 4 - ASSEMBLY INSTRUCTIONS

1. After fixture is installed, place the Rubber Gasket, Glass Shade, and Plastic Washer on the Threaded Socket.
2. Screw Threaded Washer onto Threaded Socket to secure parts.
3. Determine desired position of fixture tiers and tighten the Set Screws using included Hex Wrench to lock tiers in place.

