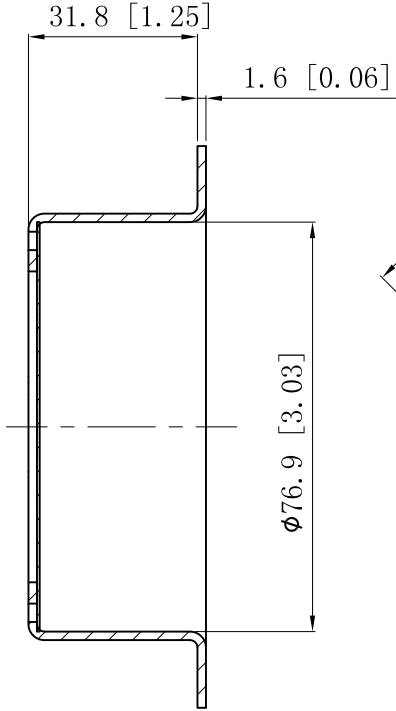
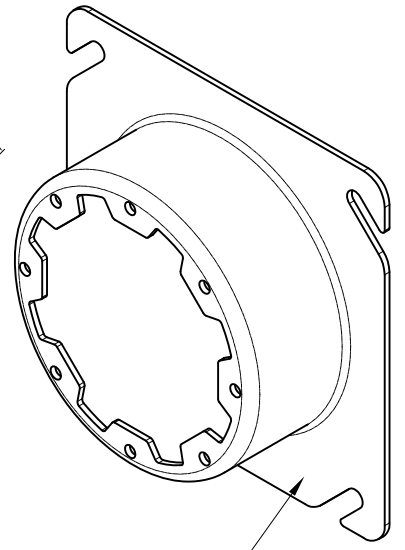
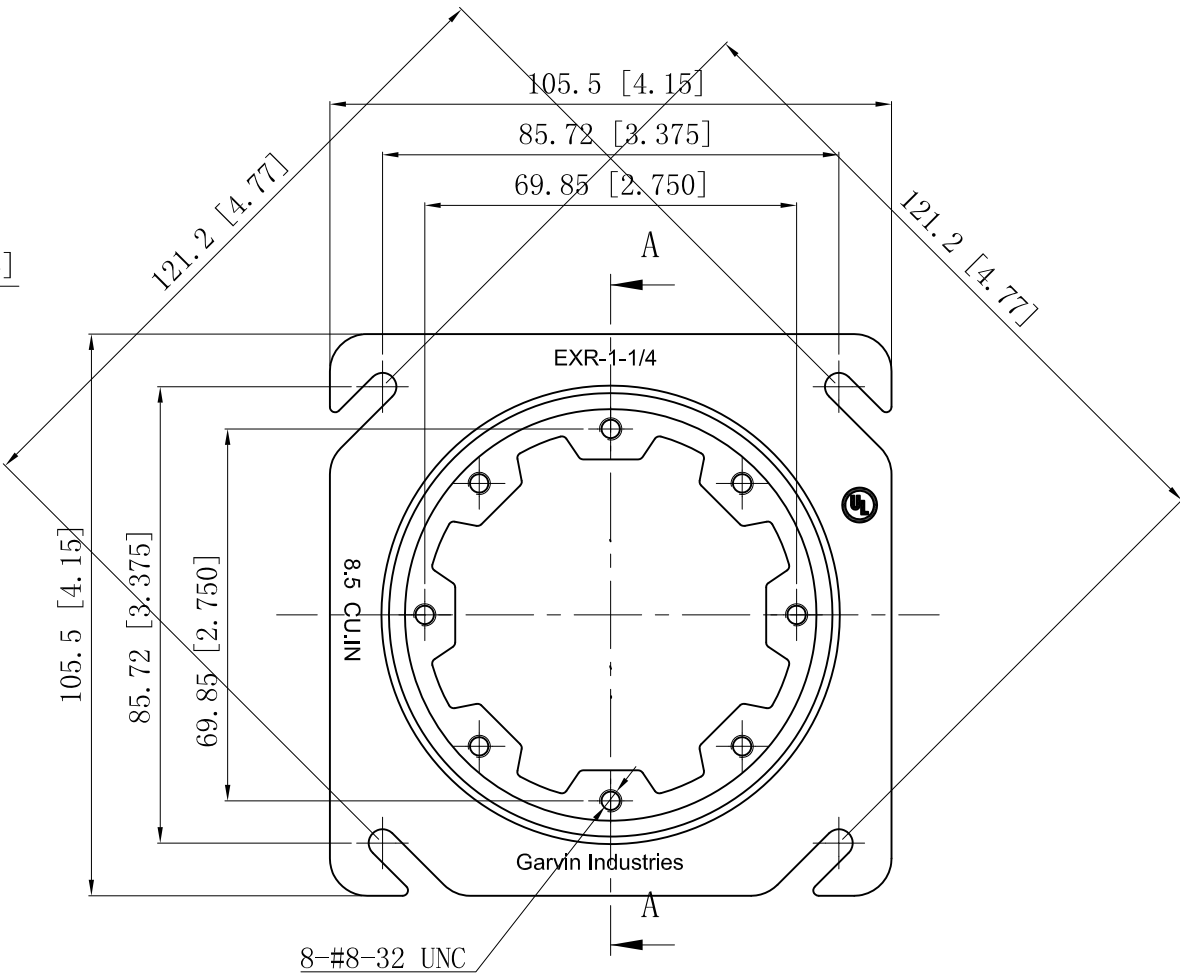


SIDES	BOTTOM
Material: Steel-0.0625"-(G60) Galvanized	



CUTAWAY VIEW A-A



EXR-1-1/4-10

DESCRIPTION
TRADE REFERENCE TERMS

STANDARD PACKING
25 PCS

This data sheet is for reference only .GARVIN INDUSTRIES reserves the right to make changes to the design without prior notice.

<b>GARVIN INDUSTRIES</b>		
TITLE 4" SQUQRE-TO-ROUND DEVICE RINGS		
SIZE A4	DWG NO. EXR-1-1/4	REV D
DATA SHEET		