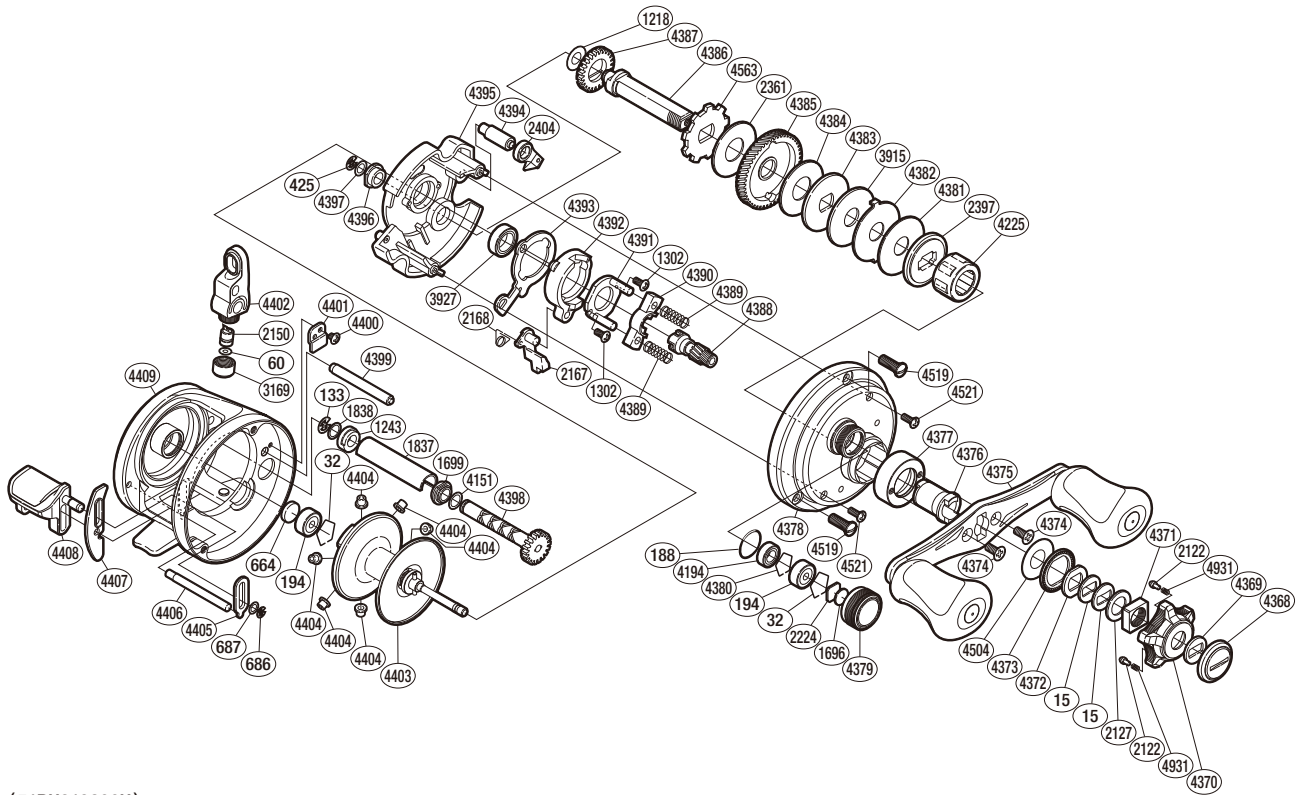


SHIMANO

CALCUTTA

CT-200D



(51RH318200U)

#	Part No.	Description	#	Part No.	Description	#	Part No.	Description
15	10D60	Drag Spring Washer	3915	10CJ2	Drag Washer	4390	1046S	Yoke
32	10GEW	Bearing Retainer	3927	10EX8	Ball Bearing	4391	10F44	Clutch Cam Retainer
60	10CFW	Spacer	4151	10G8D	Washer	4392	10KSB	Clutch Cam
133	105NJ	E Lock	4194	105BP	Ball Bearing	4393	10QLL	Clutch Plate
188	109EB	O Ring	4225	10F3C	Roller Clutch Bearing	4394	10PCW	Anti-Reverse Pawl Pin
194	105BX	Ball Bearing	4368	10A6Y	Handle Bolt	4395	10Q31	Set Plate
425	105NE	E Lock	4369	10C6E	Handle Lock Spring	4396	10BPD	Drive Shaft Bushing
664	1057S	Spacer B	4370	10AX6	Star Drag	4397	10GCZ	Washer
686	105NK	E Lock	4371	10A0A	Star Drag Nut	4398	10KKK	Worm Shaft
687	104H3	Spacer	4372	107QE	Drive Shaft Shield	4399	10GUL	Level Wind Guide
1218	105MY	Spacer	4373	10J20	Star Drag Click Plate	4400	10MP8	Screw
1243	104SX	Worm Bushing B	4374	10ML5	Screw	4401	10FTC	Worm Bushing Retainer
1302	103N8	Screw	4375	10CF3	Handle Assembly	4402	10NYP	Line Guide
1696	10896	Cast Control Spacer	4376	10BMZ	Roller Clutch Inner Tube	4403	10L3Z	Spool Assembly
1699	10NDN	Worm Bushing A	4377	10J51	Handle Plate	4404	10CMN	Brake Collar
1837	10QSC	Level Wind Guard	4378	10J2W	Right Side Plate	4405	10ASQ	Clutch Bar Guide A
1838	10D66	Spacer	4379	10KDV	Cast Control Cap	4406	10PNN	Clutch Bar Support
2122	10BT0	Click Pin	4380	1057X	Retainer	4407	1097A	Clutch Bar Guide B
2127	10J1N	Star Drag Spacer	4381	10CHW	Drag Washer	4408	10CGE	Quick-Fire II Clutch Bar
2150	10FFX	Line Guide Pawl	4382	10LB8	Eared Washer	4409	10F14	One-Piece Frame
2167	1063F	Clutch Pawl	4383	10KZV	Key Washer	4504	10GF8	Washer
2168	10490	Clutch Pawl Spring	4384	10CKQ	Drag Washer	4519	10A6Z	Screw
2224	1085F	Spool Tension Spacer	4385	10CP5	Drive Gear	4521	10MQ1	Screw
2361	10CJC	Drag Washer	4386	105CQ	Drive Shaft	4563	10DAR	Anti-Reverse Ratchet
2397	10D3V	Key Washer	4387	10J70	Idle Gear	4931	10988	Click Spring
2404	10MW3	Anti-Reverse Pawl	4388	10CTW	Pinion Gear			
3169	10FJG	Pawl Cap	4389	104BU	Yoke Spring			

Please note that the number of adjusting washers may not be the same as shown in the exploded views.
(Adjustment will vary with each individual product.)

(241120)_002