

## Chelsea™ Pressure Balance Diverter Valve Trim

### FEATURES:

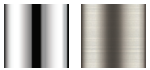
- Metal lever handles
- Plastic trim plate
- Includes mounting plate and hardware

### VALVE OPTIONS:

- CPV-PB-DV: Diverter Pressure Balance Valve  
Sweat & Thread Connections
- CPV-PB-DV-PXC: Diverter Pressure Balance Valve  
PEX F1807 Crimp Inlet Connections
- CPV-PB-DV-PXE: Diverter Pressure Balance Valve  
PEX F1960 Cold-Expansion Inlet  
Connections
- CPV-T2-DV: Diverter Thermostatic Valve  
Sweat & Thread Connections
- CPV-T2-DV-PXC: Diverter Thermostatic Valve  
PEX F1807 Crimp Inlet Connections
- CPV-T2-DV-PXE: Diverter Thermostatic Valve  
PEX F1960 Cold-Expansion Inlet  
Connections



### STOCK FINISH:



PC BN

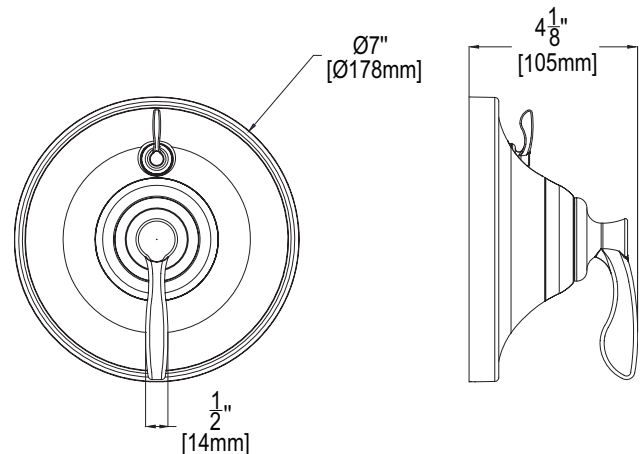
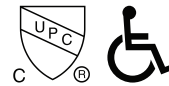
### STANDARDS:

- ASME A112.18.1/CSA B125.1 certified
- ADA compliant

### WARRANTY:

Visit [www.speakman.com](http://www.speakman.com) for full product warranty information

- Limited Lifetime Warranty (consumer)
- 5 Year Limited Warranty (commercial)



All dimensions are in inches (millimeters) unless otherwise specified and are subject to change without notice.

Architect/Engineer Approval Space:

P: 800-537-2107  
 F: 800-977-2747  
 W: WWW.SPEAKMAN.COM  
 R: 04-FEBRUARY 2022