

88 5180 26

Upholstered Bench



Home
Styles

IMPORTANT NOTE

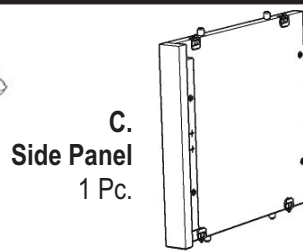
Carefully remove all the parts from the carton and put them individually on a soft cloth to prevent scratches or other damages occurring to the parts.

We have taken great care in the design of this product and request that you carefully and strictly follow our assembly instructions to ensure a completed product as it was designed.

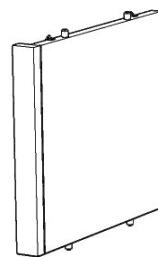
PART LIST



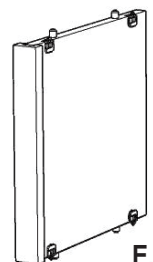
A.
Cushion
1 Pc.



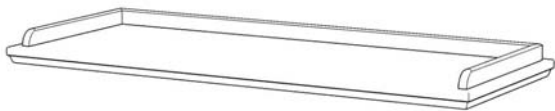
C.
Side Panel
1 Pc.



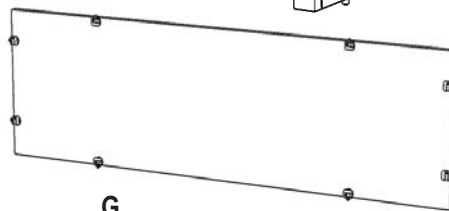
D.
Side Panel
1 Pc.



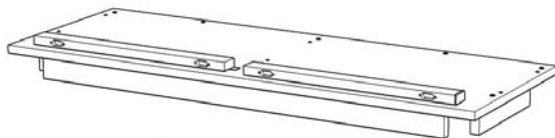
E.
Middle Panel
1 Pc.



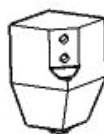
B.
Top
1 Pc.



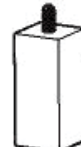
G.
Back Panel
1 Pc.



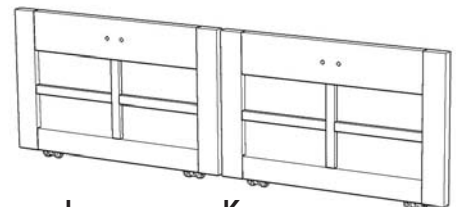
F.
Base
1 Pc.



H.
Leg
4 Pcs.



I.
Leg
1 Pc.



J.
Door
1 Pc.

K.
Door
1 Pc.

HARDWARE LIST



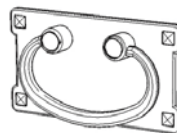
Hex Wrench
1 Pc.



Magnet
2 Pcs.



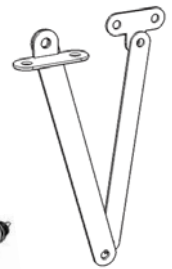
**M3x15
Wood Screw
(for Magnet)**
4 Pcs.(+1 extra)



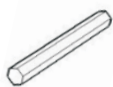
Pull Handle
2 Pcs.



Machine Screw
4 Pcs.(+1 extra)



**One Left Support
One Right Support**
2 Pcs.



**Small
Hex Wrench**
1 Pc.



Spring Wrench
8 Pcs.(+1 extra)



Flat Wrench
8 Pcs.(+1 extra)



**M6x50
Head Cap Bolt (long)**
8 Pcs.(+1 extra)



**M3x12
Wood Screw**
8 Pcs.(+1 extra)



**M3x19
Wood Screw
(long)**
8 Pcs.(+1 extra)

Tools required for assembly : **Phillips** screwdriver

Tools recommended for assembly : Level

Home Styles Consumer Assistance: www.homestyles-furniture.com,
servicedesk@homestyles-furniture.com, 888-680-7460, 877-831-0319

Assembly Instructions 2/4

IMPORTANT

- * Do not tighten up all the screws until each part is properly assembled.
- * You should keep Hex Wrench in a safe place as you may need to tighten up the Head Cap Bolts in the future.
- * Use a soft cloth between these parts and the floor.
- * After assembly, item must be level to work properly. Use the included adjustable levelers to level.

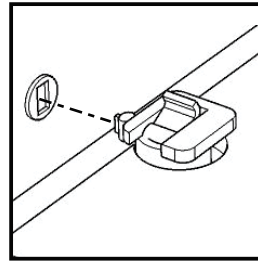


Figure 1

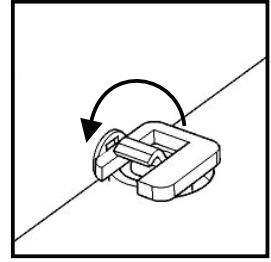
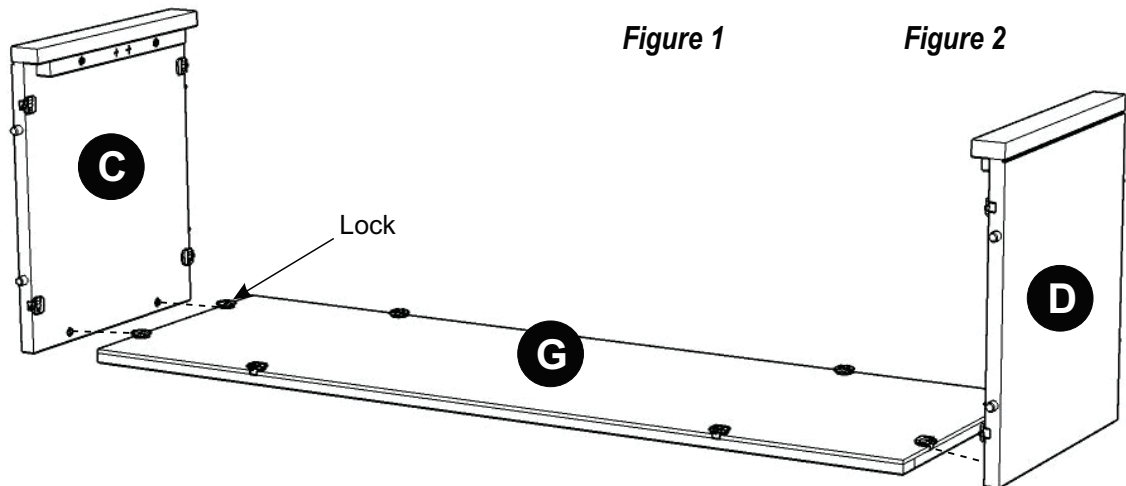
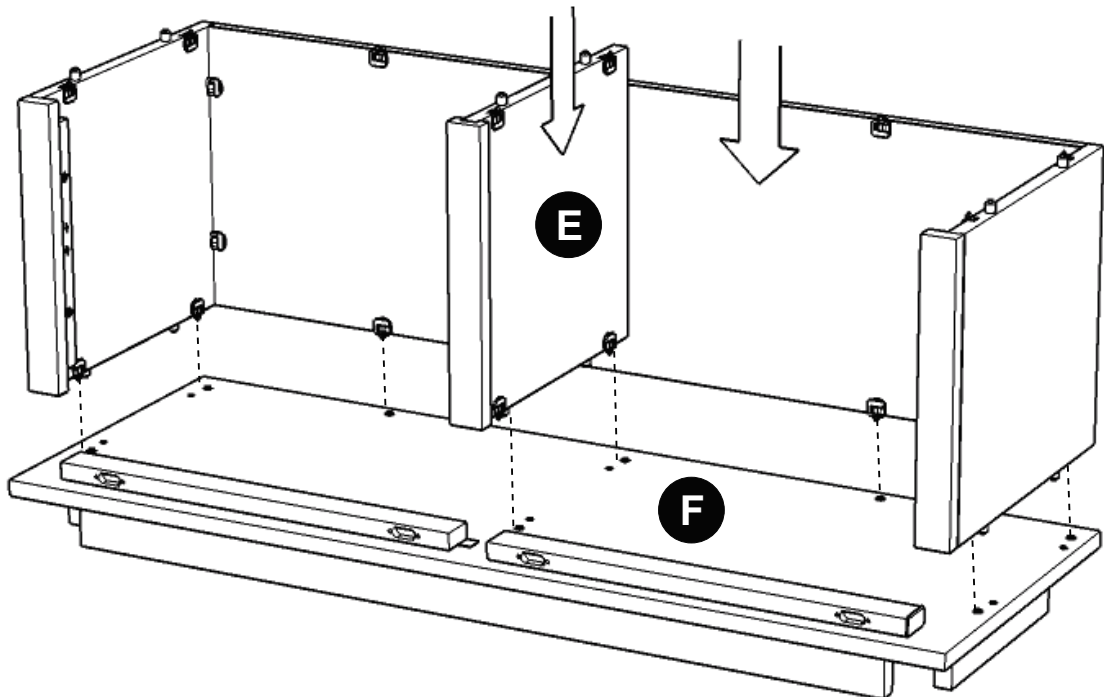


Figure 2



STEP 1

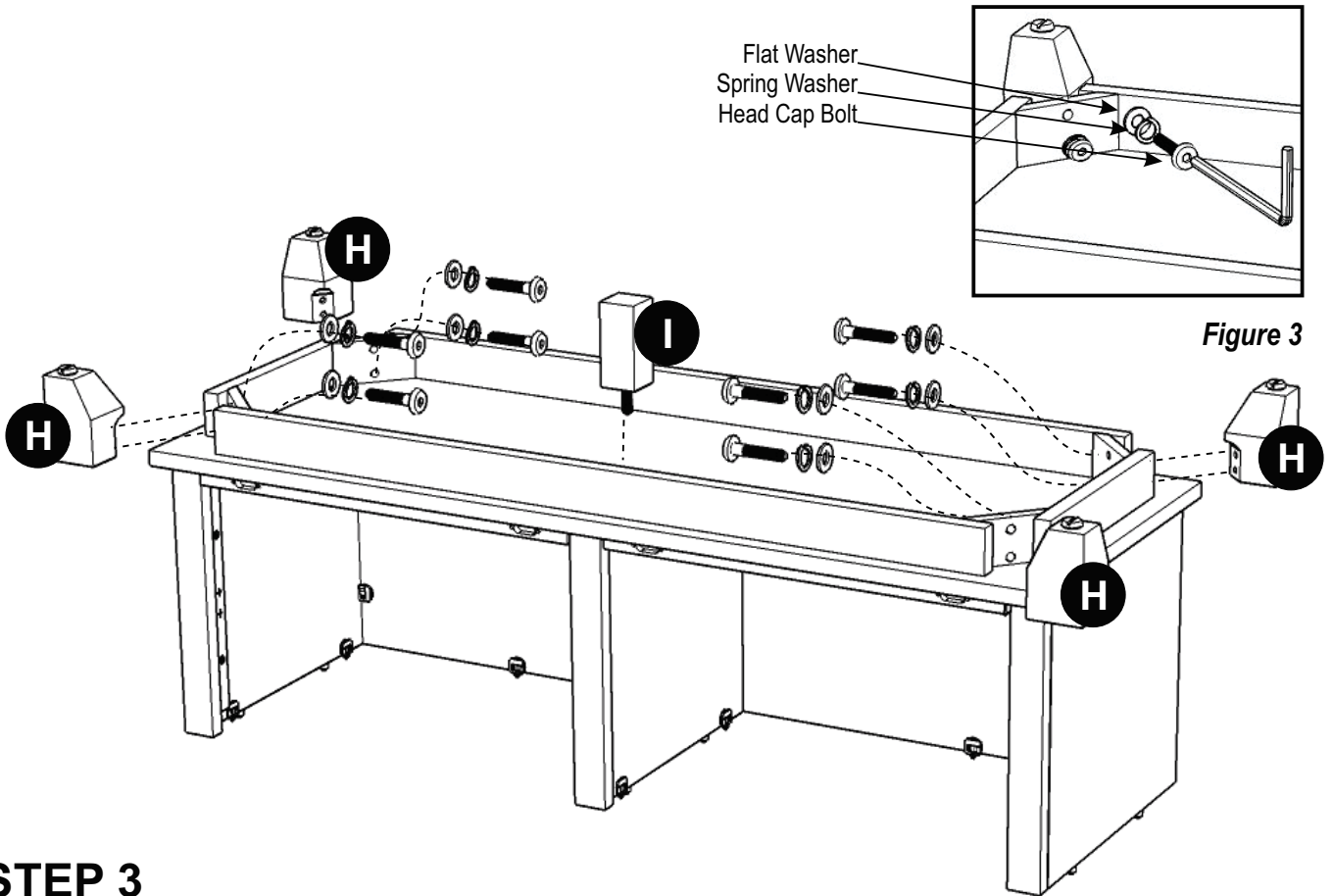
Attach Side Panels (C) and (D) to Back Panel (G), then flip the Locks. (See Figures 1 and 2)



STEP 2

Attach unit and Middle Panel (E) to Base (F) and flip the Locks.

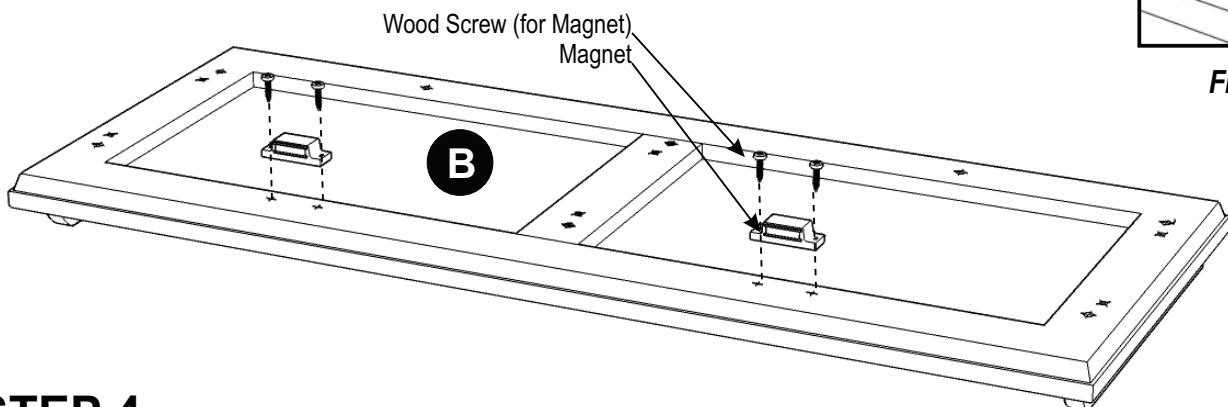
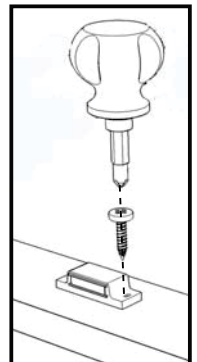
Assembly Instructions 3/4



STEP 3

Turn unit upside down.

Attach Legs (H) and (I) to unit with Head Cap Bolts, Spring Washers and Flat Washers. (See Figure 3)



STEP 4

Place Top (B) upside down on a soft cloth.

Attach Magnets to Top (B) at the pre-drilled holes of Top (B) with Wood Screws (for Magnet). (See Figure 4)

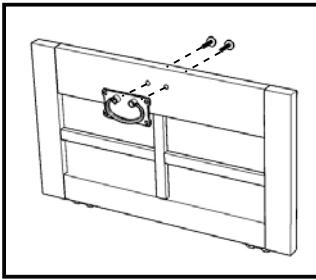


Figure 5

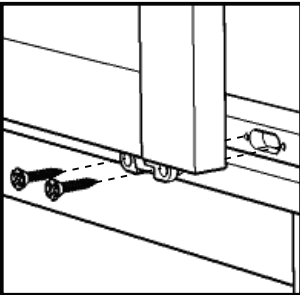


Figure 6

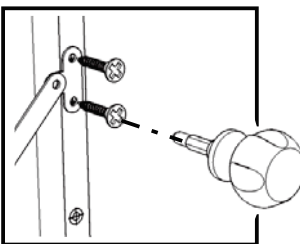


Figure 7

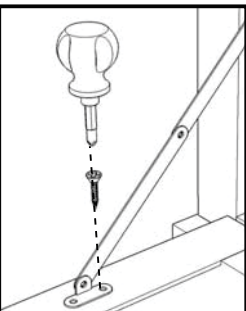
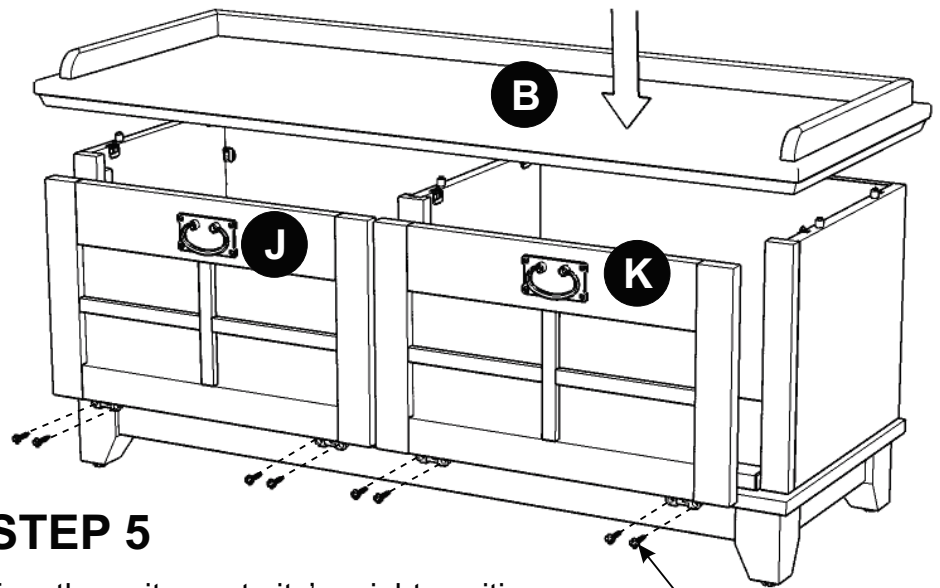


Figure 8



STEP 5

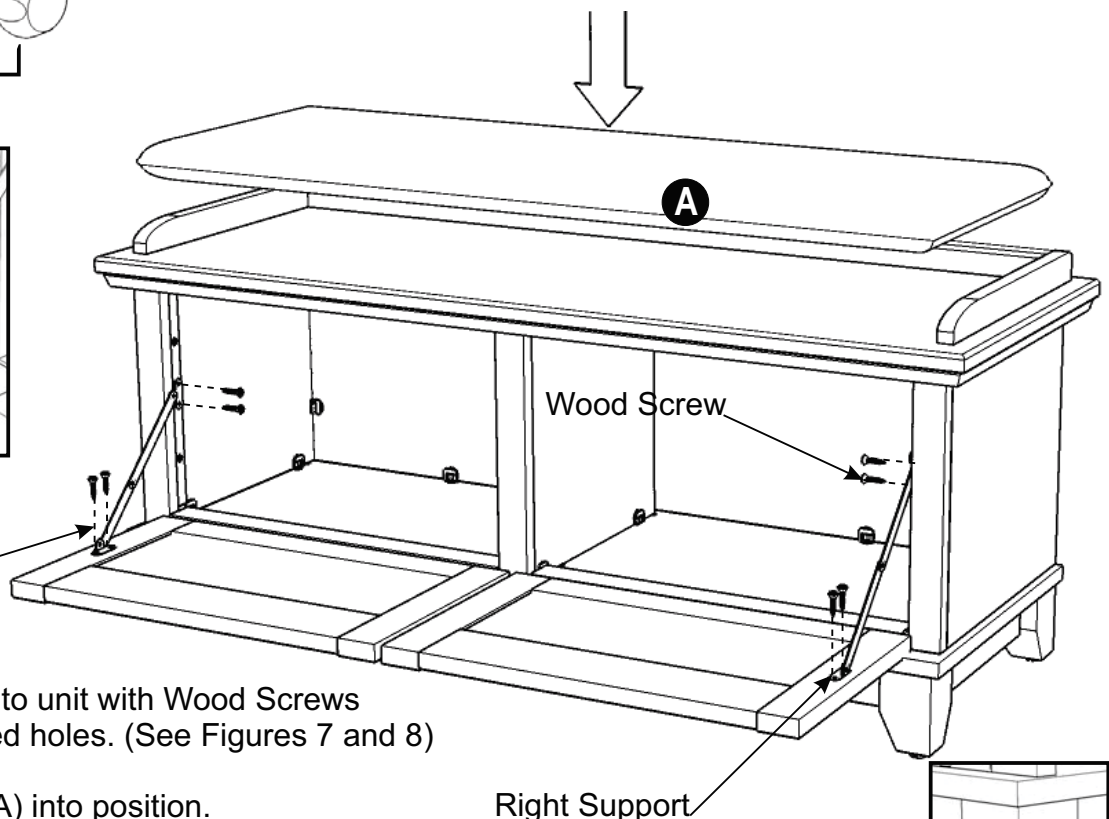
Turn the unit over to its' upright position.

Attach Top (B) to unit and flip the Locks.

Attach Pull Handles to Doors (J) and (K) with Machine Screws. (See Figure 5)

Attach Doors (J) and (K) to unit by inserting the door hinges into the slots in unit and attach with Wood Screws (long). (See Figure 6)

Wood Screw (long)



STEP 5

Attach Supports to unit with Wood Screws into the pre-drilled holes. (See Figures 7 and 8)

Place Cushion (A) into position.

STEP 6

To level the unit, adjust the adjustable levelers on the bottom of the legs. (See Figure 9)

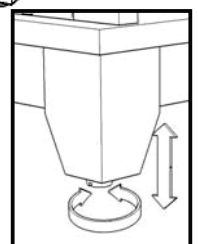


Figure 9