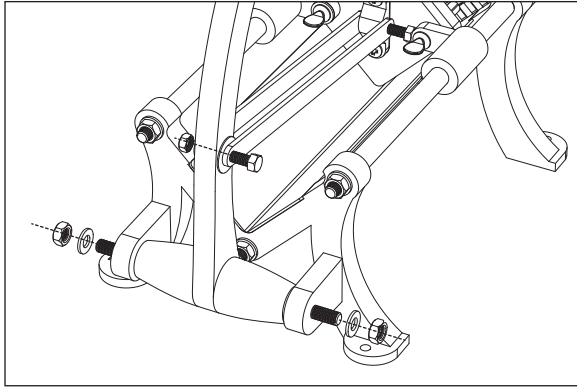
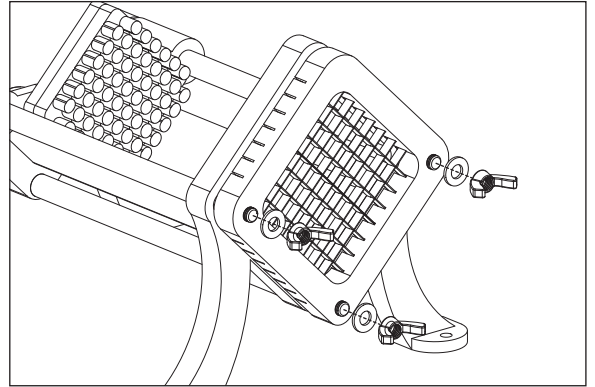


### ASSEMBLY

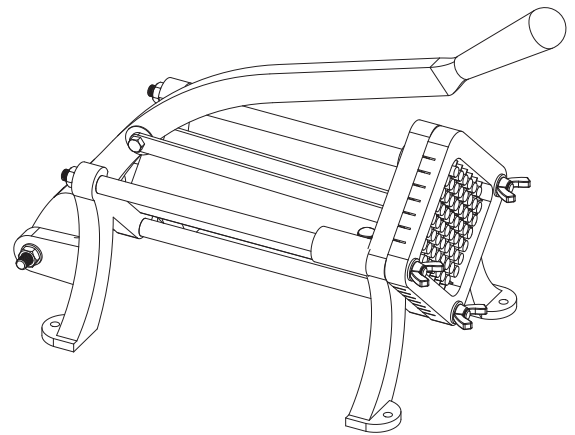
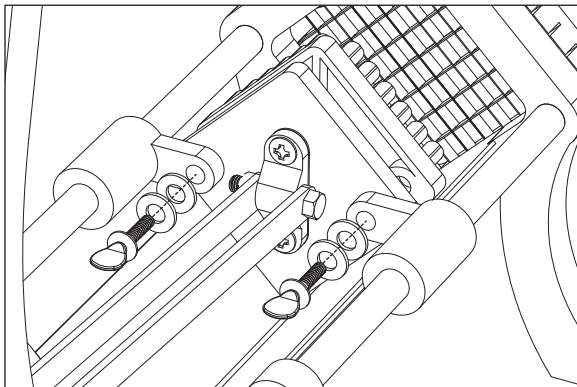
1) Attach handle to base with screws and secure with washer and hex nuts.



3) Attach cutter block to base and secure with washers and wing nuts.

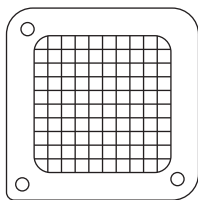


2) Attach push block in the center of base and secure with thumb screws.

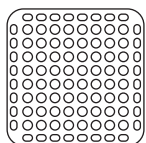


### OPTIONAL PARTS

1/4" CUT

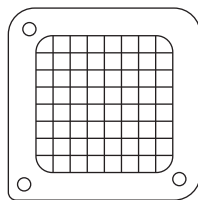


CUT BLOCK  
FFC-250B

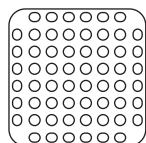


PUSH BLOCK  
FFC-250K

3/8" CUT

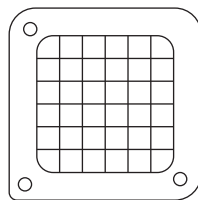


CUT BLOCK  
FFC-375B

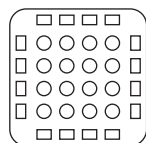


PUSH BLOCK  
FFC-375K

1/2" CUT

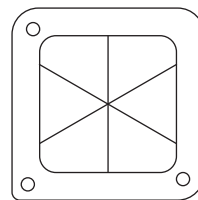


CUT BLOCK  
FFC-500B

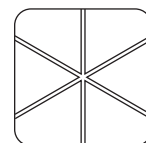


PUSH BLOCK  
FFC-500K

6 WEDGE

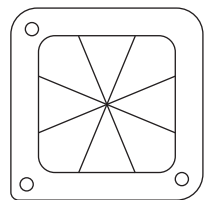


CUT BLOCK  
FFC-6B

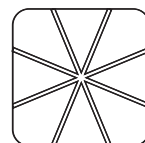


PUSH BLOCK  
FFC-6K

8 WEDGE



CUT BLOCK  
FFC-8B



PUSH BLOCK  
FFC-8K