

Pedestal Desk



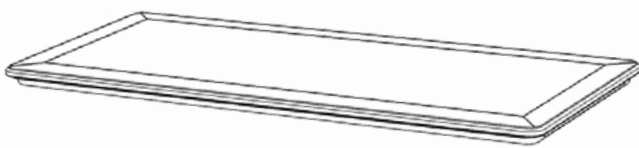
IMPORTANT

Carefully remove all the parts from the carton and place them individually on a soft cloth to prevent scratches or other damage.

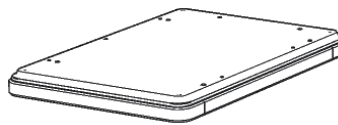
Carefully and strictly follow these assembly instructions to ensure a completed product as designed.

Do not use power tools above 8 volts to assemble.

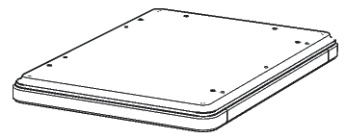
Part List



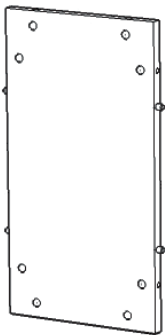
A.
Top
1 pc.



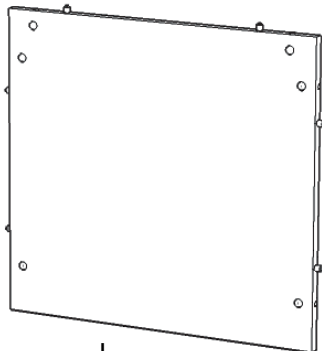
B.
Base
1 pc.



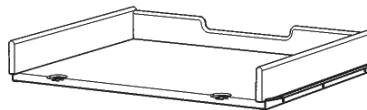
C.
Base
1 pc.



I.
Back Panel
2 pcs.



J.
Back Panel
1 pc.



K.
Keyboard
1 pc.



L.
Keyboard Front
1 pc.

Hardware List



Hex Wrench
1 pc.



Cam Lock Screw
30 pcs. (+1 extra)



M6x32
Head Cap Bolt
8 pcs. (+1 extra)



Spring Washer
8 pcs. (+1 extra)



Flat Washer
8 pcs. (+1 extra)



Knob
6 pcs.



Small Hex Wrench
1 pc.



Cam Lock
30 pcs. (+6 extra)



M3x12
Flat Head Screw
6 pcs. (+1 extra)



M3x25
Wood Screw (long)
56 pcs. (+1 extra)



M4x25
Machine Screw
8 pcs.



Handle
2 pcs.

Carton 20 05503 0182 is also needed for assembly.

Tool(s) required for assembly: Phillips screwdriver, Level

Home Styles Customer Service: www.homestyles-furniture.com,
 servicedesk@homestyles-furniture.com, 888-680-7460, 877-831-0319

Assembly Instructions 2/9

IMPORTANT

- Use a soft cloth between these parts and the floor.
- Do not use power tools above 8 volts to assemble.
- The unit must be level to work properly. Use the included adjustable levelers to level.

STEP 1

Place Top (A), Bases (B), (C), Side Panels (E), (F) and Middle Panels (G), (H) on a soft cloth.

Insert Cam Lock Screws into pre-drilled holes in Top (A), Bases (B), (C), Side Panels (E), (F) and Middle Panels (G), (H), then tighten.
(See Figure 1)

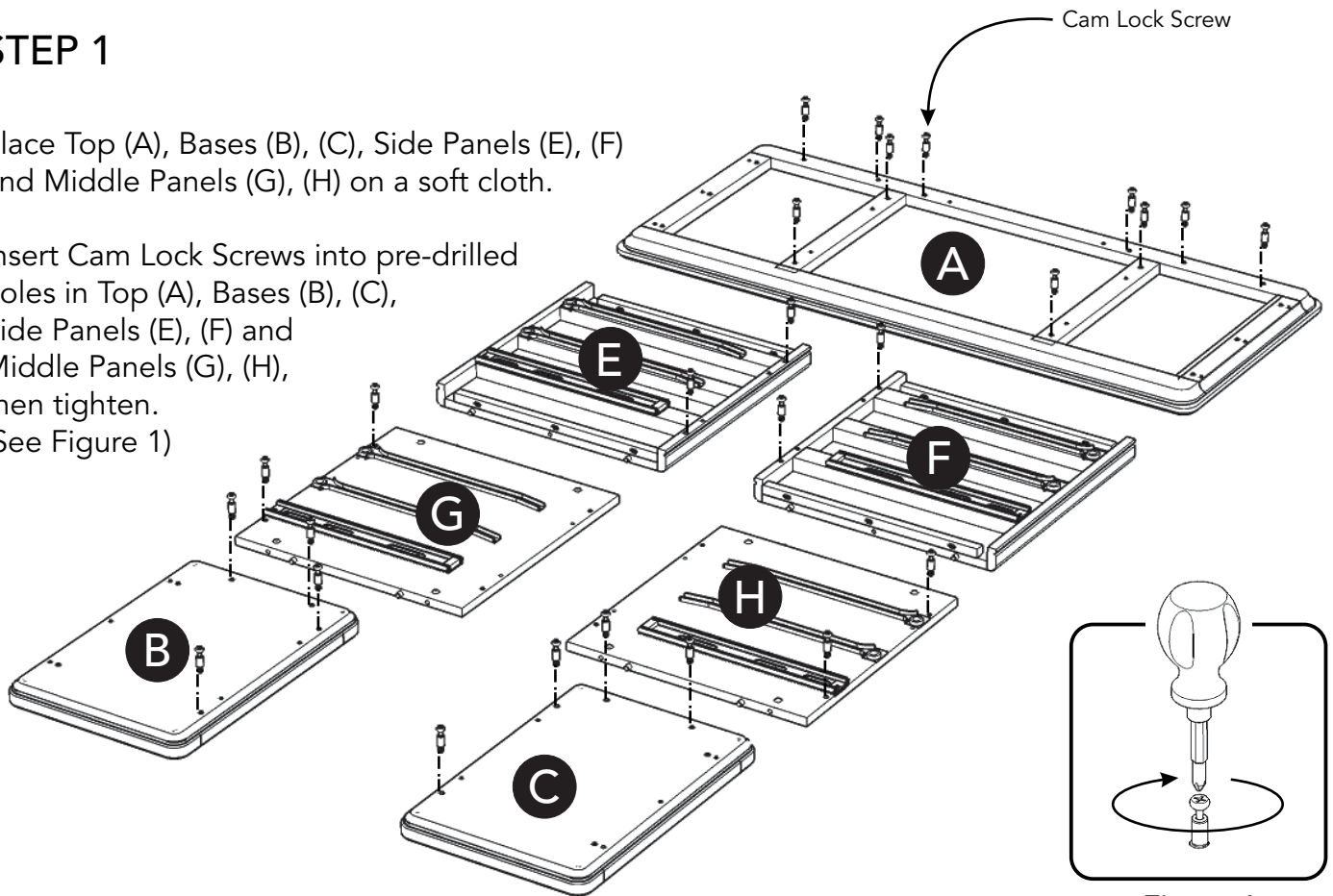
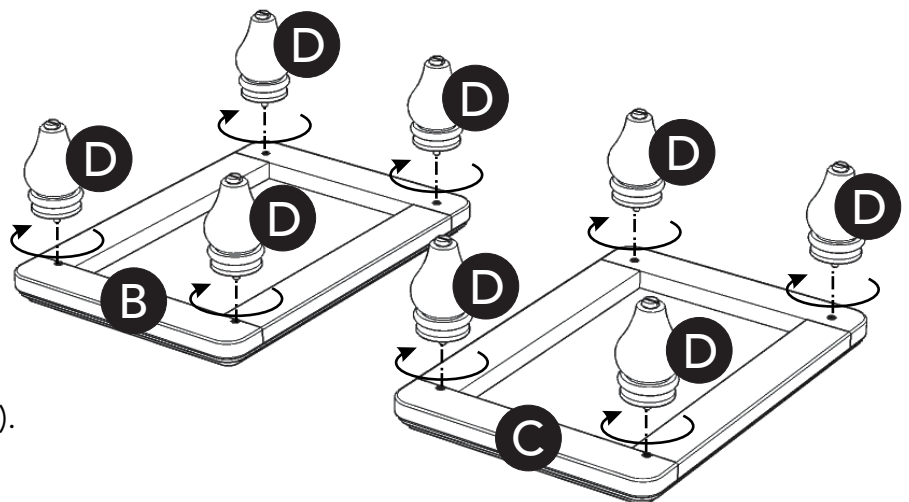


Figure 1

STEP 2

Attach Feet (D) to Bases (B) and (C).



STEP 3

Attach Side Panel (E) and Middle Panel (G) to Back Panel (I) with Cam Locks. (See Figure 2)

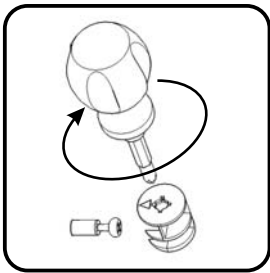
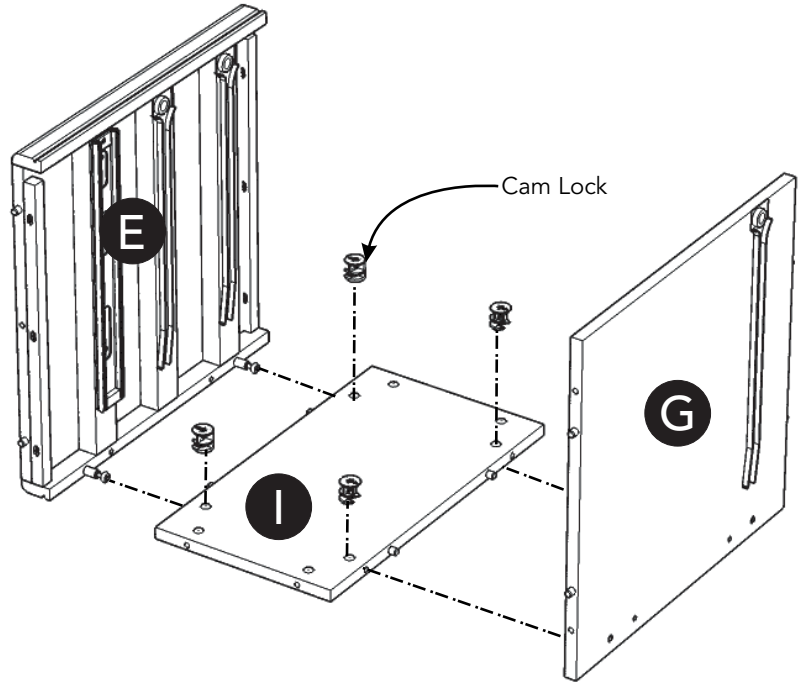


Figure 2

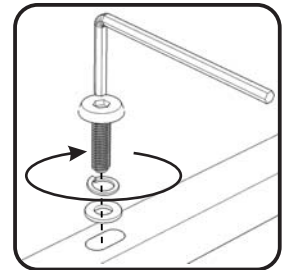
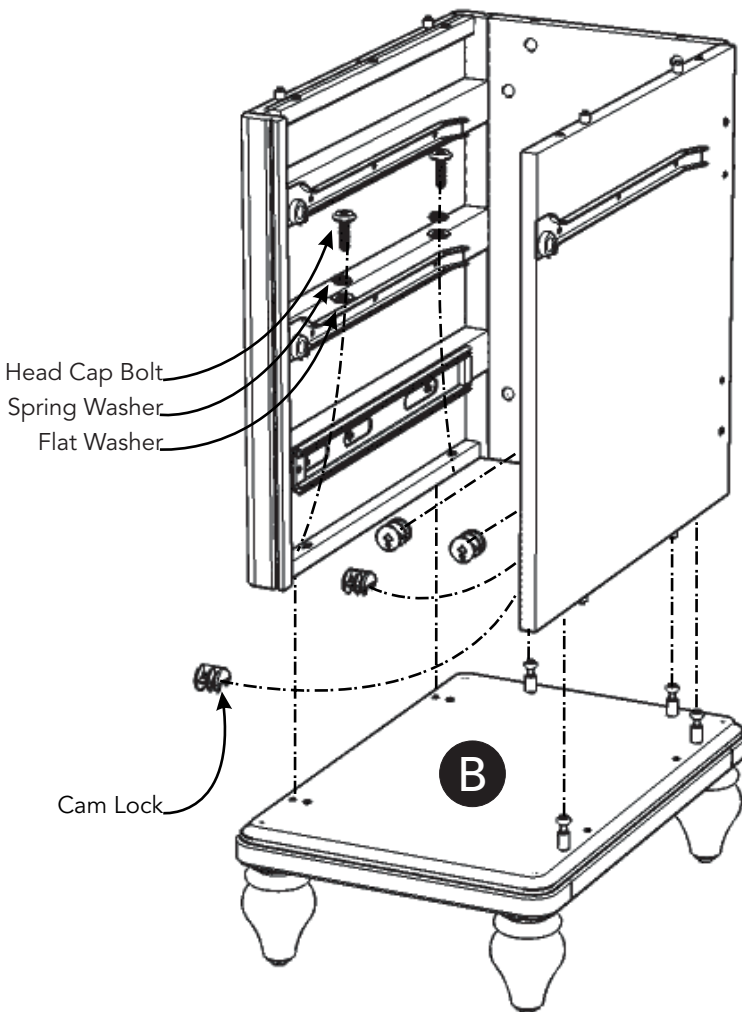


Figure 3

STEP 4

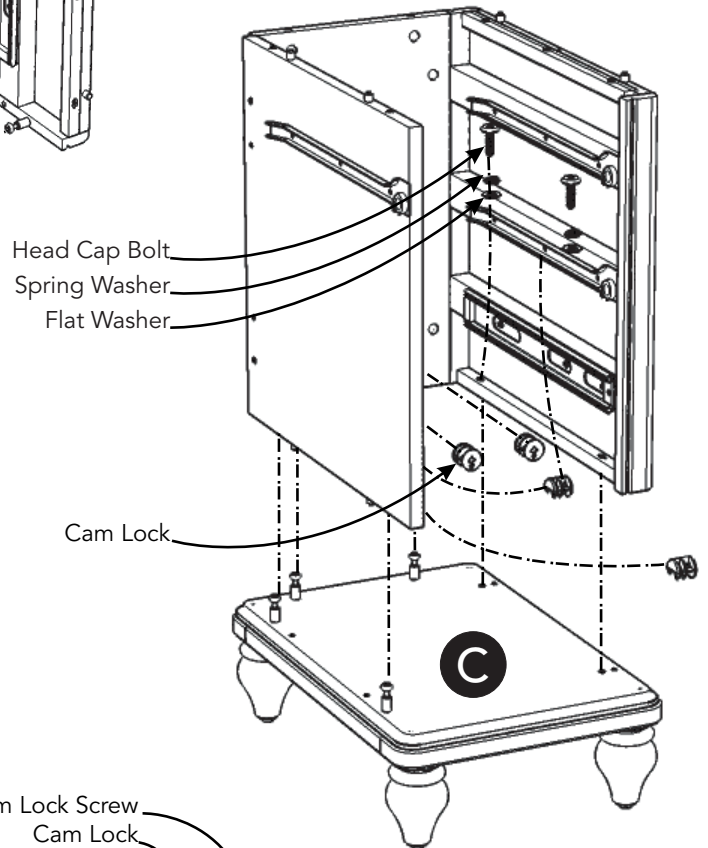
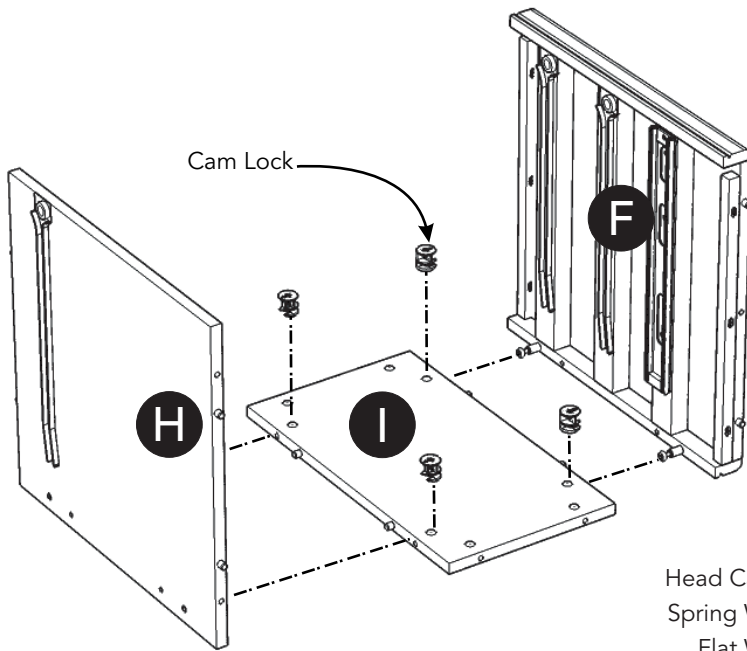
Turn Base (B) unit from Step 2 over to its' upright position.

Attach unit to Base (B) with Head Cap Bolts, Spring Washers, Flat Washers and Cam Locks. (See Figure 3)

Assembly Instructions 4/9

STEP 5

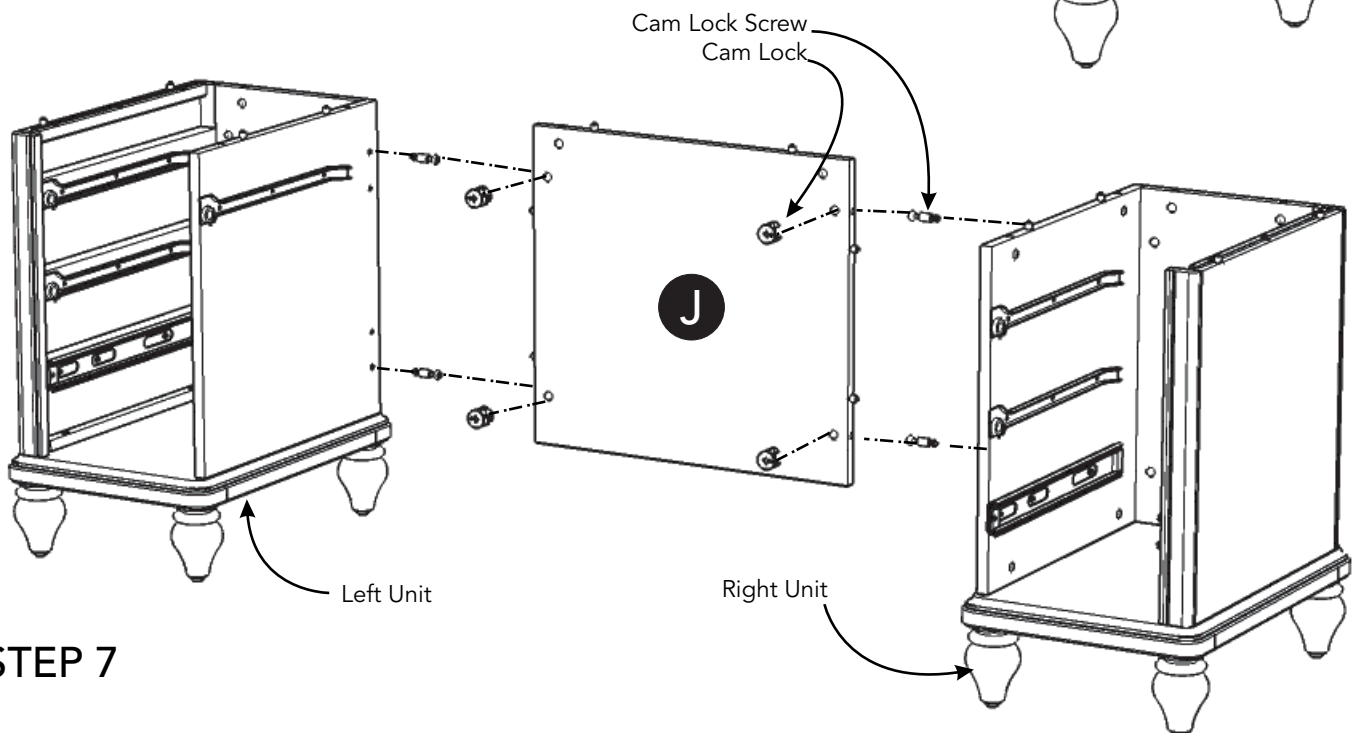
Attach Side Panel (F) and Middle Panel (H) to Back Panel (I) with Cam Locks.



STEP 6

Turn Base (C) unit from Step 2 over to its' upright position.

Attach unit to Base (C) with Head Cap Bolts, Spring Washers, Flat Washers and Cam Locks.

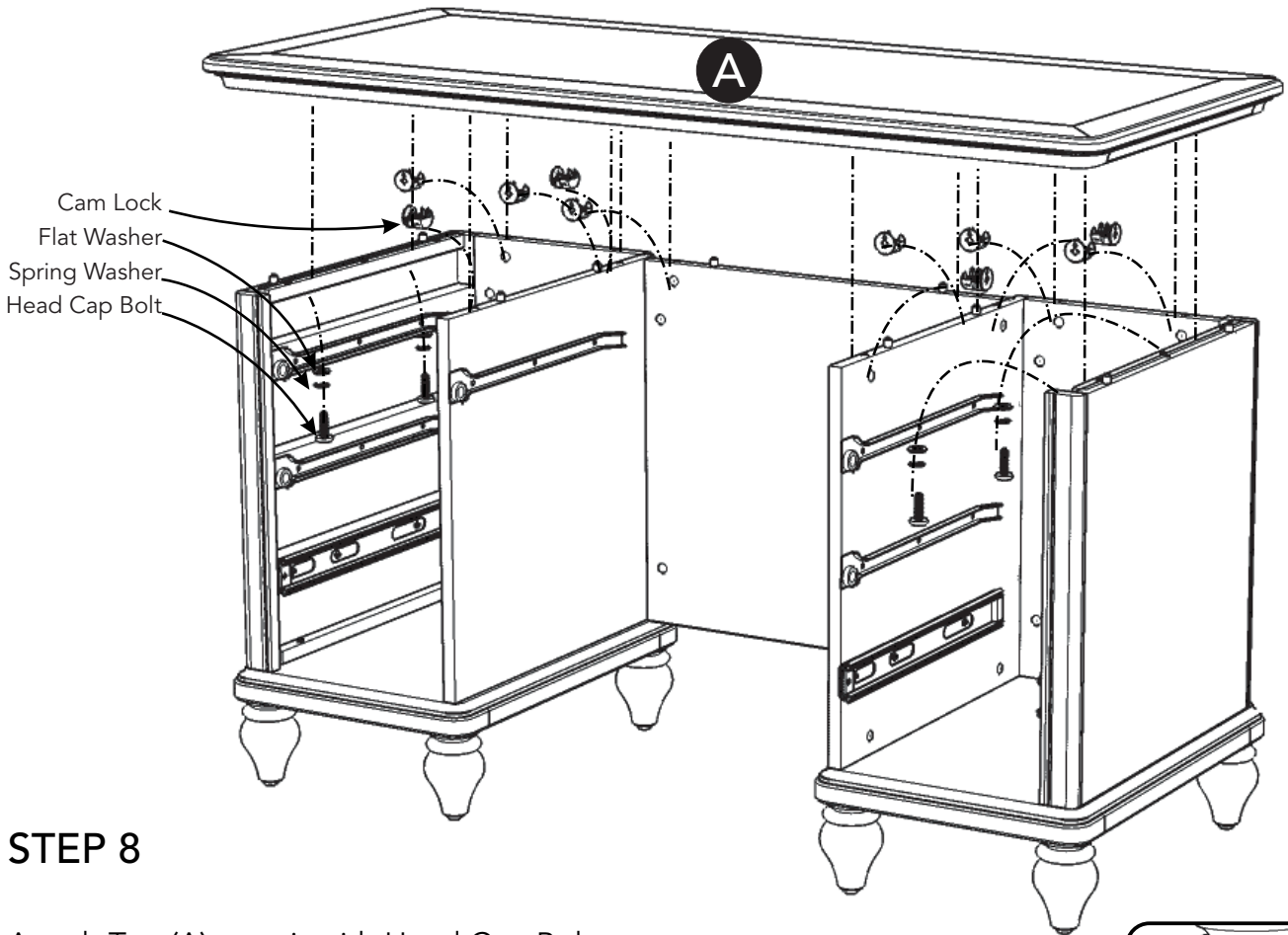


STEP 7

Insert Cam Lock Screws into pre-drilled holes in Left Unit and Right Unit, then tighten.

Attach Left Unit and Right Unit to Back Panel (J) with Cam Locks.

Assembly Instructions 5/9



STEP 8

Attach Top (A) to unit with Head Cap Bolts, Spring Washers, Flat Washers and Cam Locks.

Level unit by adjusting the adjustable levelers on bottom of unit. (See Figure 4)

Note: Unit must be level to proceed.

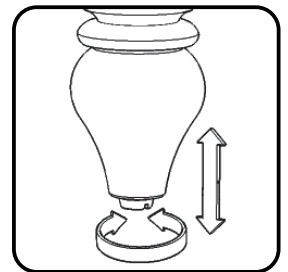
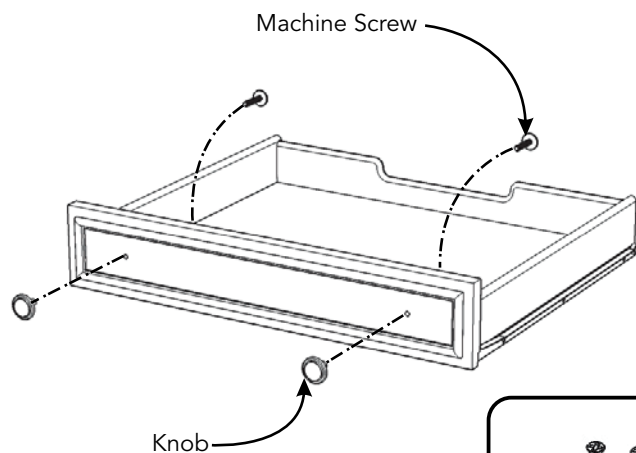
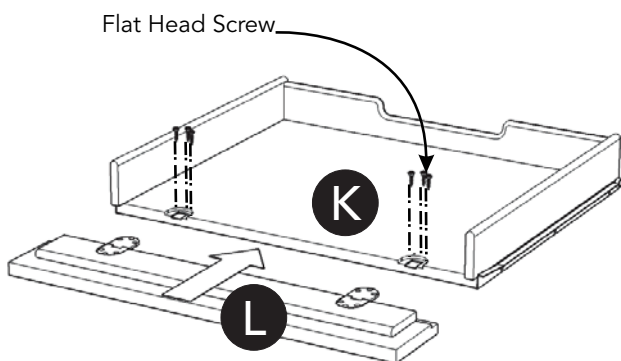


Figure 4



STEP 9

Attach Keyboard Front (L) to Keyboard (K) with Flat Head Screws. (See Figure 5)

Attach Knobs to keyboard with Machine Screws.

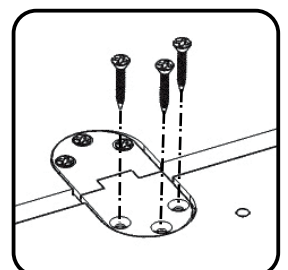
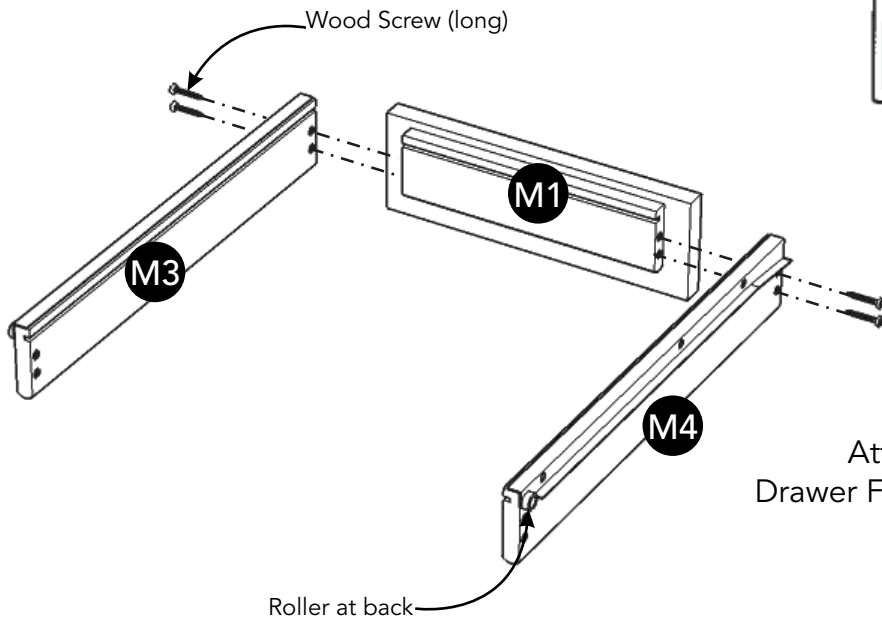


Figure 5

Assembly Instructions 6/9

Drawer (M)



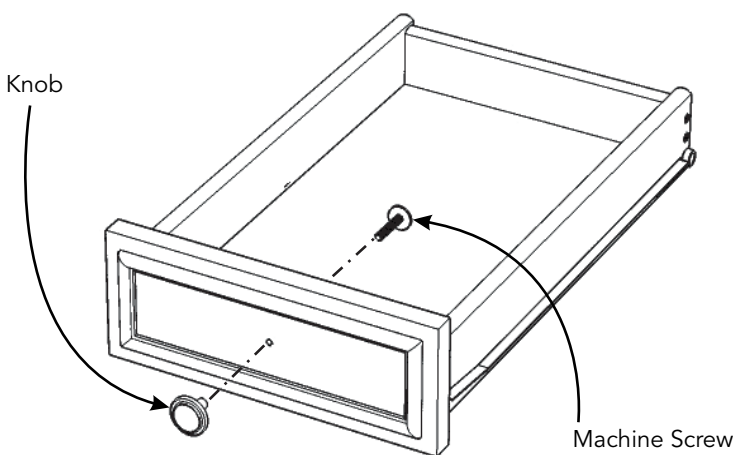
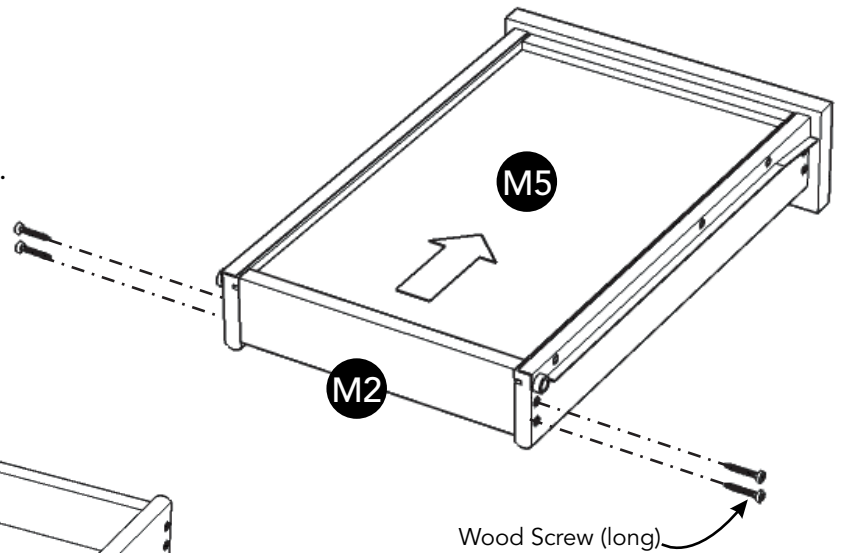
STEP 10

Attach Drawer Sides (M3) and (M4) to Drawer Front (M1) with Wood Screws (long).

STEP 14

Slide Drawer Bottom (M5) into groove.

Attach Drawer Back (M2) to unit with Wood Screws (long).



STEP 15

Attach Knob with Machine Screw.

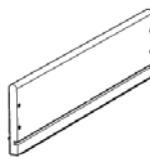
Part List



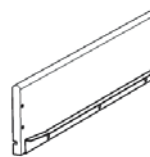
M1.
Drawer Front
2 pcs.



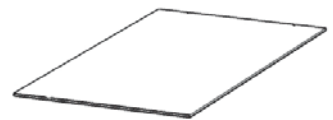
M2.
Drawer Back
2 pcs.



M3.
Drawer Side
2 pcs.



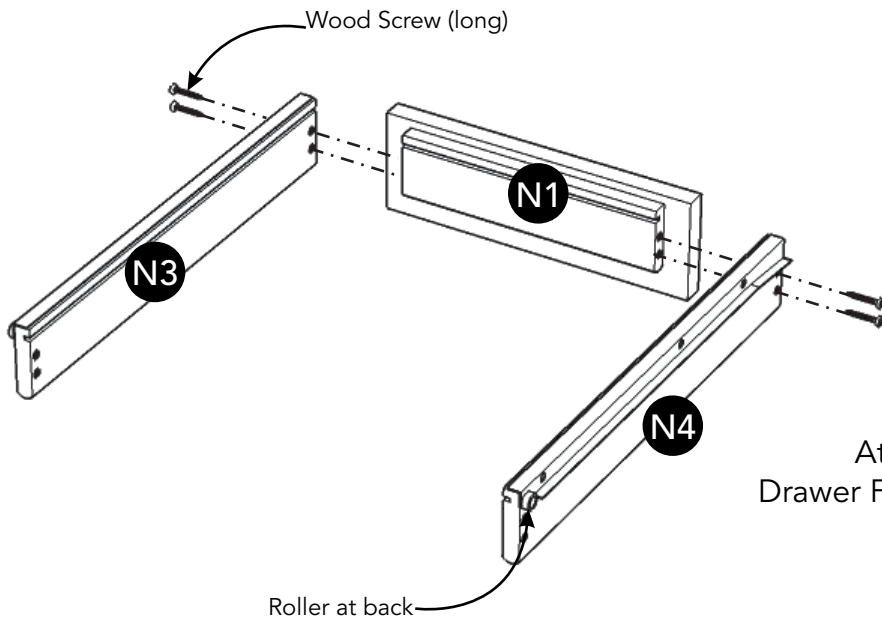
M4.
Drawer Side
2 pcs.



M5.
Drawer Bottom
2 pcs.

Assembly Instructions 7/9

Drawer (N)



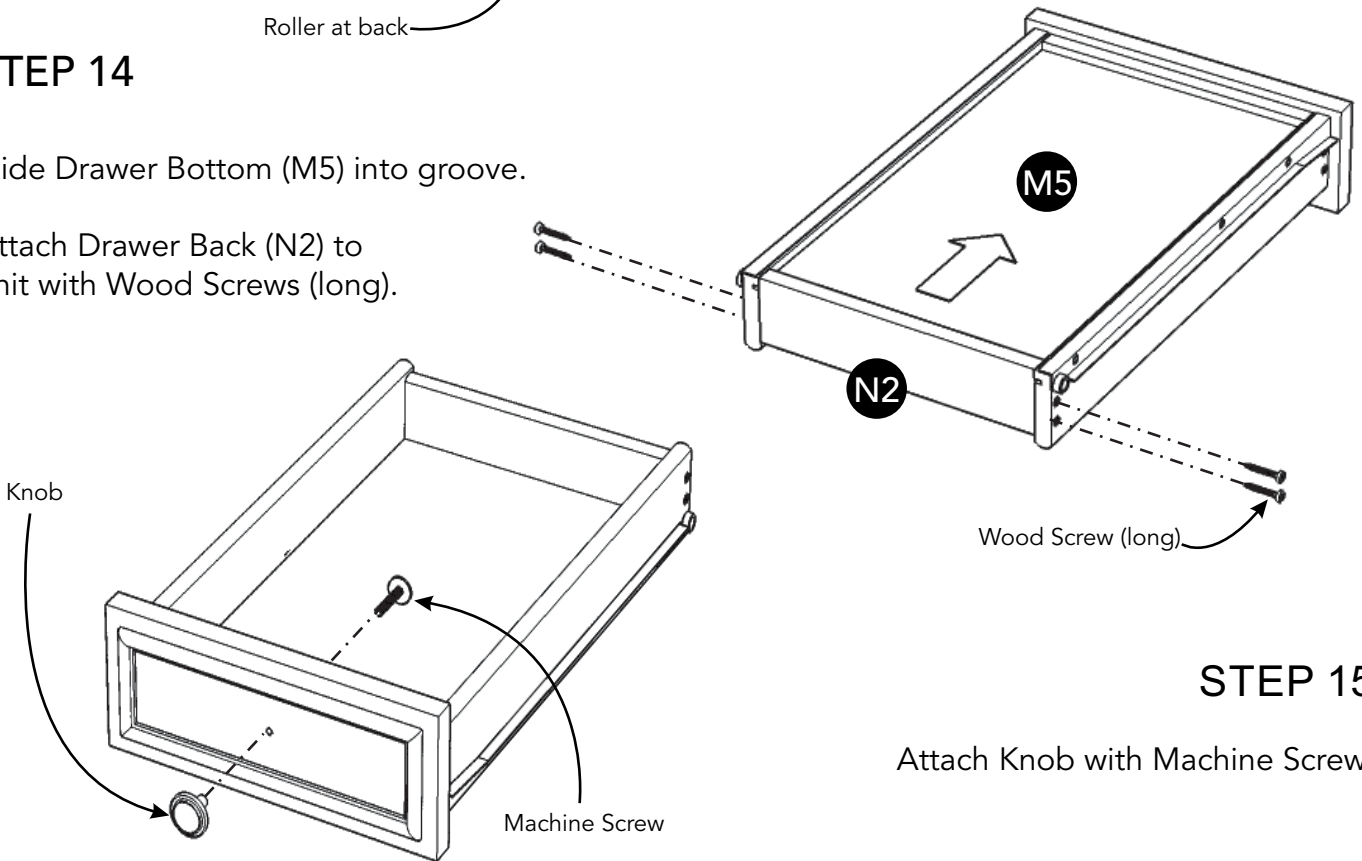
STEP 13

Attach Drawer Sides (N3) and (N4) to Drawer Front (N1) with Wood Screws (long).

STEP 14

Slide Drawer Bottom (M5) into groove.

Attach Drawer Back (N2) to unit with Wood Screws (long).



STEP 15

Attach Knob with Machine Screw.

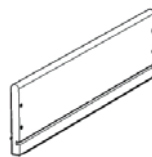
Part List



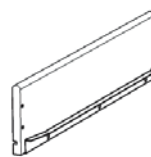
N1.
Drawer Front
2 pcs.



N2.
Drawer Back
2 pcs.



N3.
Drawer Side
2 pcs.



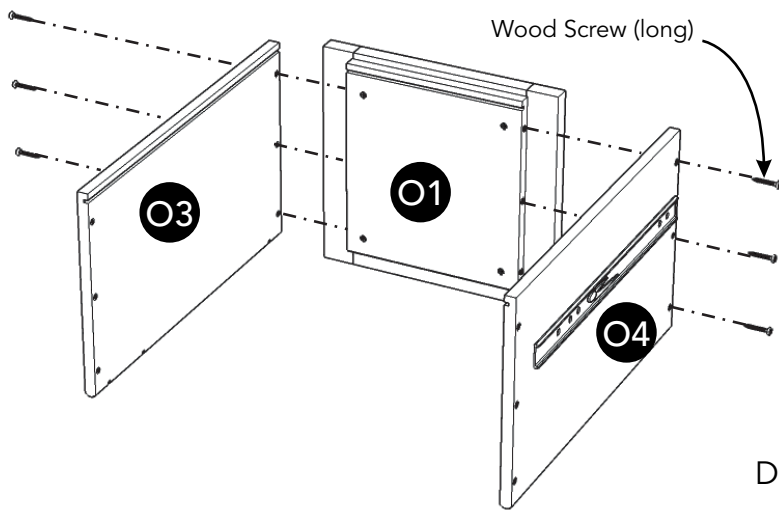
N4.
Drawer Side
2 pcs.



M5.
Drawer Bottom
2 pcs.

Assembly Instructions 8/9

Drawer (O)



STEP 16

Attach Drawer Sides (O3) and (O4) to Drawer Front (O1) with Wood Screws (long).

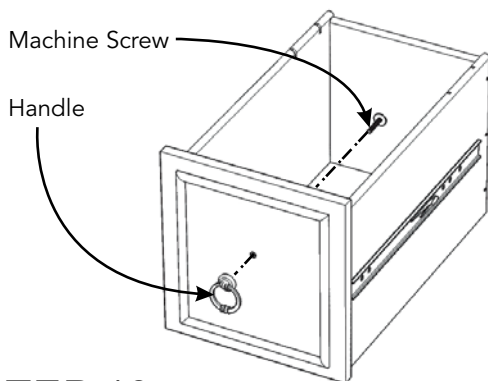
STEP 17

Slide Drawer Bottom (M5) into groove.

Attach Drawer Back (O2) to unit with Wood Screws (long).

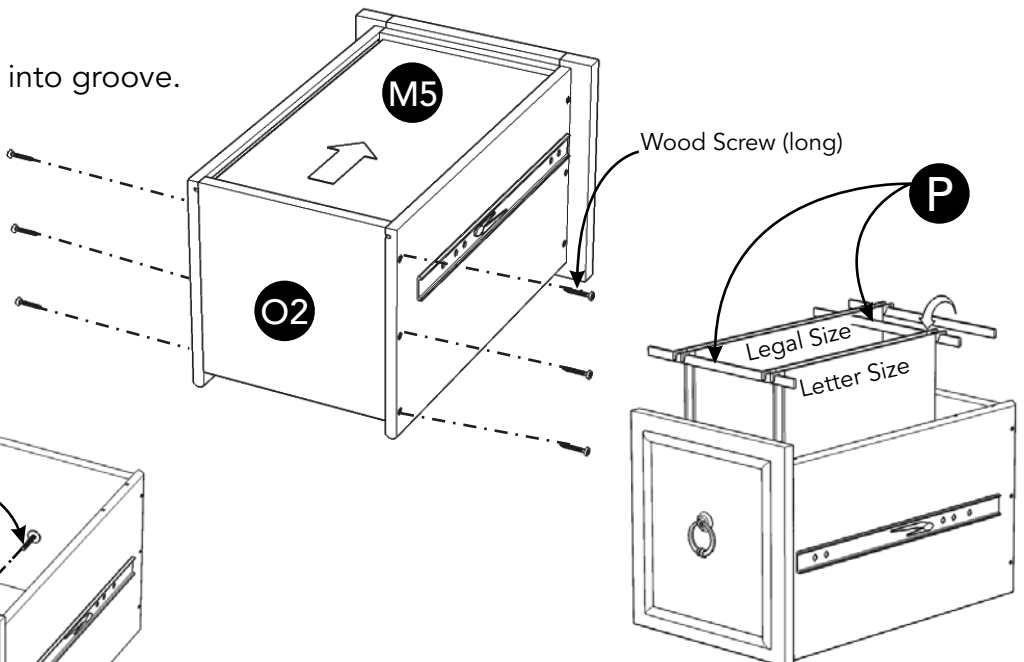
Machine Screw

Handle



STEP 18

Attach Handle with Machine Screw.

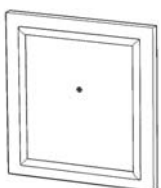


STEP 19

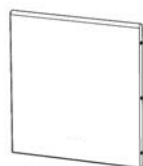
Place Metal Strips (P) into position.

Metal Strips (P) can be adjusted for letter or legal files.

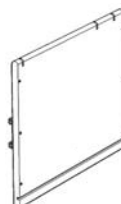
Part List



O1.
Drawer Front
2 pcs.



O2.
Drawer Back
2 pcs.



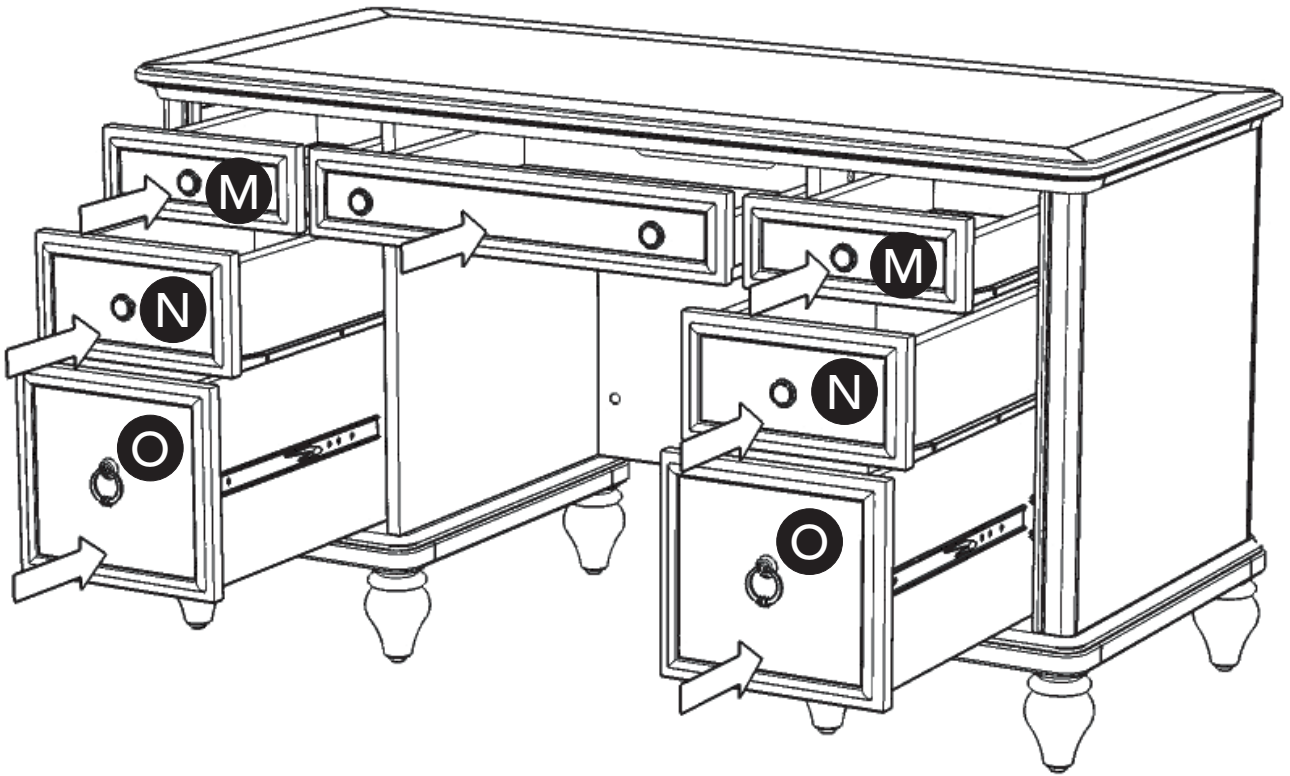
O3.
Drawer Side
2 pcs.



O4.
Drawer Side
2 pcs.



M5.
Drawer Bottom
2 pcs.



STEP 20

Slide Drawers (M), (N), (O) and keyboard into position.

Note: To remove Drawers (O) in future, push plastic lever on left side up, push plastic lever on right side down and pull open. (See Figures 6 and 7)

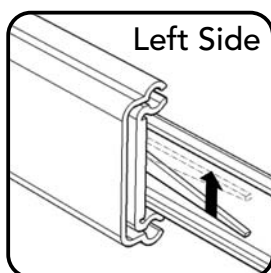


Figure 6

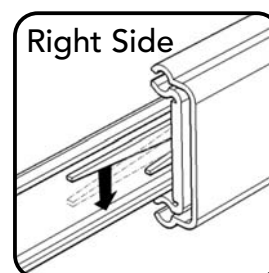


Figure 7

CARE INSTRUCTIONS

NEVER

allow liquids to remain on furniture.
Absorption causes parts to warp
and split and finishes to delaminate.

NEVER

use glass cleaners on
finished furniture. Ammonia
chemically attacks the finish.



Do not use power tools
above 8 volts to assemble.
**PREVENT
CRACKING**



Do not place
in direct sunlight.
**PREVENT
FADING**



Do not write
directly on surface.
**PREVENT
MARKING**



Do not place hot
objects on surface.
**PREVENT
FINISH DAMAGE**



Do not use rubber
based placemats.
**PREVENT
DISCOLORING**



Do not use commercial
waxes and polishes.
**PREVENT
YELLOWING**

CLEAN

with a soft cloth moistened
in lukewarm soap and water.
Buff with a dry clean cloth.



Home Styles will provide replacements free of charge for missing or damaged hardware or parts within 30 days of purchase. Digital images of the defective parts may be required. If the product was not purchased from an authorized retail affiliate, Home Styles is under no obligation to provide replacement parts. Parts are not available for fully assembled items nor are parts available for sale. Replacements for missing or damaged hardware or parts may be requested at:

www.homestyles-furniture.com/customer-service/replacement-parts

Home Styles Customer Service: www.homestyles-furniture.com,
servicedesk@homestyles-furniture.com, 888-680-7460, 877-831-0319