

# KWT310-33/5.5

## 33 Inch Top Mount Workstation Single Bowl Stainless Steel Kitchen Sink

# Kräus®

SPECIFICATION SHEET

### Sink Dimensions

Overall Dimensions: 33" x 22"

Bowl Dimensions: 31" x 16"

Bowl Depth: 5.5"

### Features

- 16 Gauge Stainless Steel Construction
- Top Mount Single Bowl Sink
- Required Minimum Cabinet Size: 36" Left to Right, 24" Front to Back
- Rear Off-Set Drain
- 3 1/2" Drain Opening
- NoiseDefend Undercoating and Sound Dampening Pads

### Accessories Included

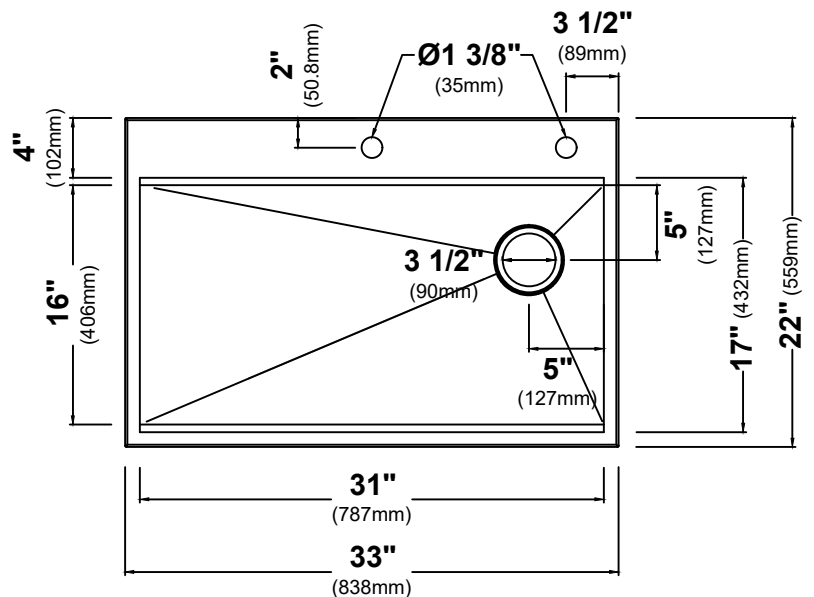
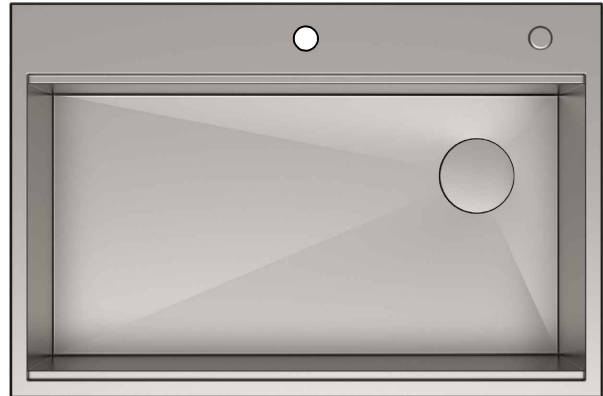
- Strainer ST-1
- Cover Cap STC-2
- Bottom Grid KBG-UN1-33
- Cutting Board KCB-WS103BB
- Rolling Mat KRM-11BL
- Cut-Out Template
- Mounting Hardware

### CODES/STANDARDS:

#### Product Certification

cUPC (ASME A112.19.3/CSA B45.4)

ADA



**NOTE:** Maximum countertop thickness for Top Mount installation is 1 1/2".

**NOTE:** It is not recommended to install this sink with a negative reveal. Doing so will prohibit the use of any workstation accessories as they will not fit.

### Warranty

Kraus Limited Lifetime Warranty

see website for details [www.kraususa.com](http://www.kraususa.com)

