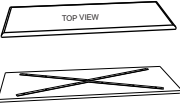
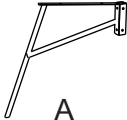
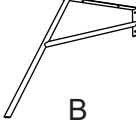
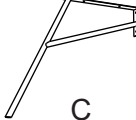
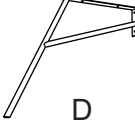
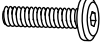
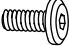

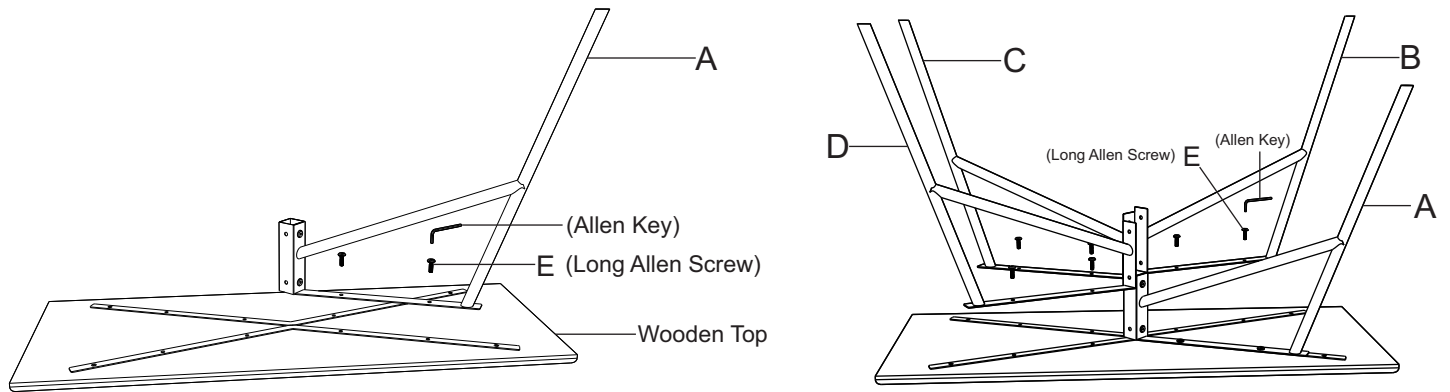


Assembly Instructions

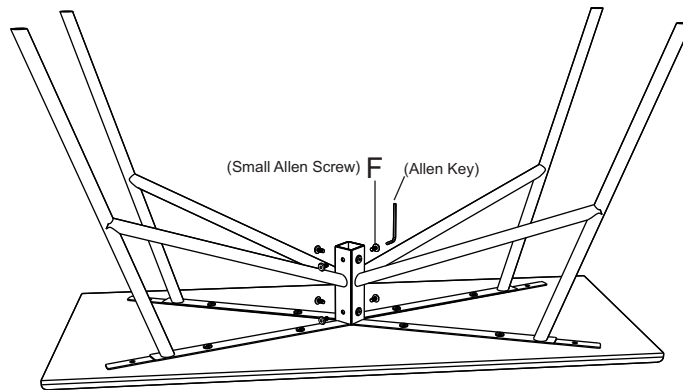
Pallson Bench

WOODEN TOP	LEG WITH CONNECTING FINIAL	LEG	LEG	LEG	LONG ALLEN SCREWS	SMALL ALLEN SCREWS	ALLEN KEY
					 EX8+1 EXTRA	 FX6+1 EXTRA	

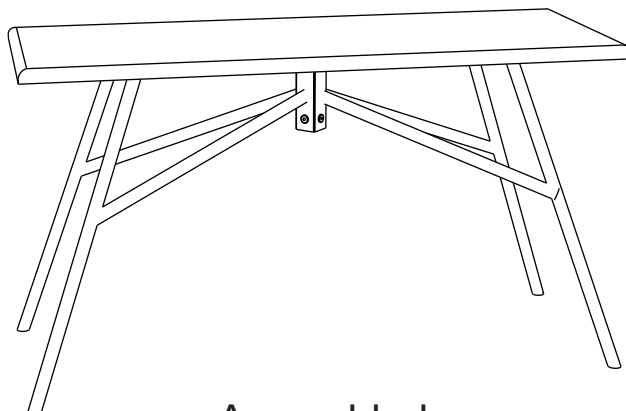
- Place the wooden top on floor on a protective surface.
- Secure Leg A with wooden top with help of Long Allen Screws.
- Now secure all Legs B, C, D, with the corresponding marking provided on the wooden top.



Secure all legs (A, B, C, D,) with the Connecting finial with help of Small Allen Screws. (F)



Please note: First fasten all screws partial, once all components are put together, then fully fasten all screws for final assembly.



Assembled