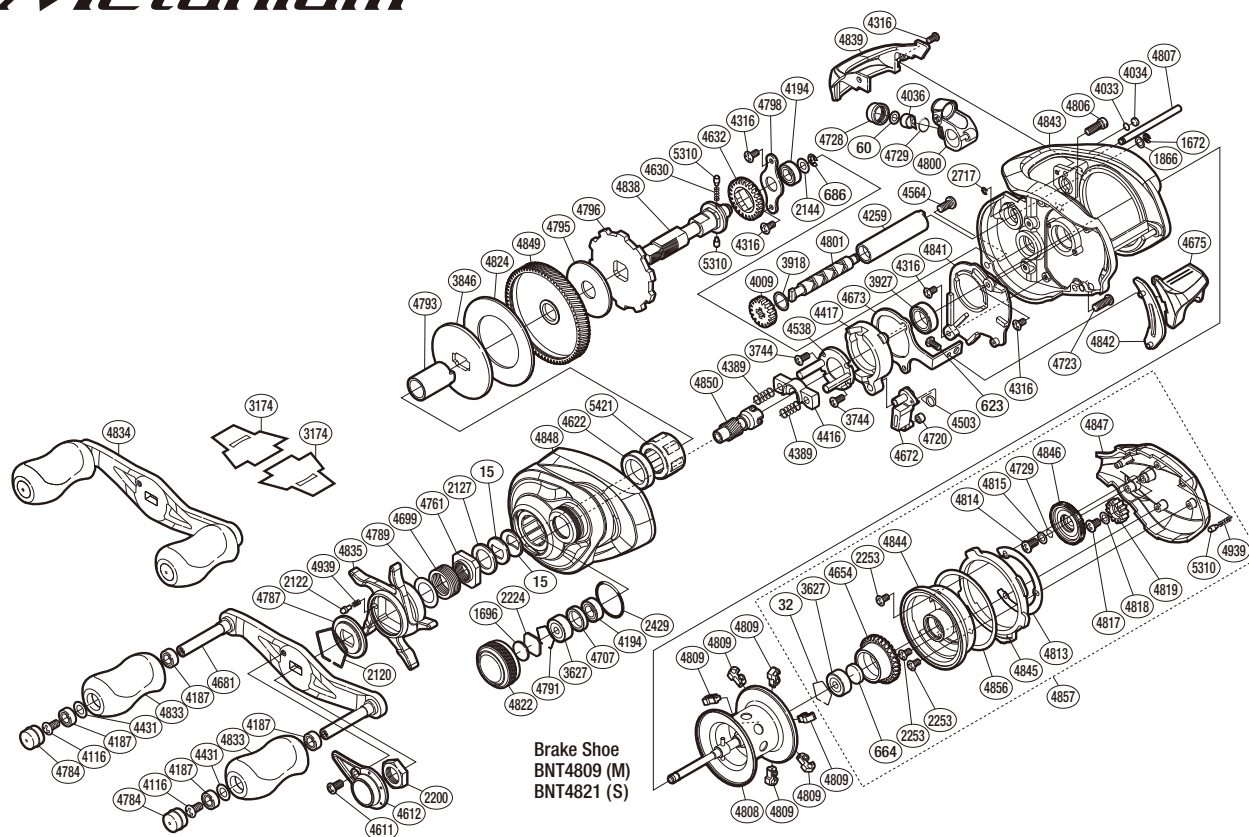


SHIMANO

Metanium

META-HGL



(51RH753000U)

#	Part No.	Description	#	Part No.	Description	#	Part No.	Description
15	10D60	Drag Spring Washer	4417	10KSC	Clutch Cam	4808	10L10	Spool Assembly
32	10GEW	Bearing Retainer	4431	10G8G	Washer	4809	105M4	Brake Shoe M
60	10CFW	Spacer	4503	104CQ	Clutch Pawl Spring	4813	108AX	Brake Case Washer
623	103C0	Screw	4538	10F42	Clutch Cam Retainer	4814	103LE	Screw
664	1057S	Spacer B	4564	10LZD	Screw	4815	10GFB	Washer
686	105NK	E Lock	4611	103EE	Screw	4817	103L7	Screw
1672	105NC	E Lock	4612	10Q5N	Handle Retainer	4818	10G6W	Washer
1696	10896	Cast Control Spacer	4622	10L0D	Drive Shaft Holder Bushing	4819	10CLF	Idle Gear
1866	105EK	Spacer	4630	10JDX	Idle Gear Spring	4822	10KDG	Cast Control Cap
2120	10KXV	Click Plate Retainer	4632	10JAG	Idle Gear	4824	106XS	Drag Washer
2122	10BT0	Click Pin	4654	10EXP	Brake Pipe Gear	4833	1064W	Handle Knob
2127	10J1N	Star Drag Spacer	4672	105ZV	Clutch Pawl	4834	10CEQ	Handle Assembly
2144	10C47	Washer	4673	10QGG	Clutch Plate	4835	10D6D	Star Drag
2200	10FSN	Handle Nut	4675	10MWE	Quick-Fire li Clutch Bar	4838	1058H	Drive Shaft
2224	1085F	Spool Tension Spacer	4681	10A64	Handle Shank Assembly	4839	10FTS	Level Wind Protector
2253	103N4	Screw	4699	10A71	Star Drag Spring	4841	10BVK	Clutch Guard
2429	108WK	O Ring	4707	10EYU	Bearing Spacer	4842	1096Z	Clutch Bar Guide
2717	105NB	E Lock	4720	1048C	Clutch Pawl Bushing	4843	10EV9	One-Piece Frame
3627	105C0	Ball Bearing	4723	103CG	Screw	4844	10F0K	Brake Case
3744	10LVH	Screw	4728	10FJD	Pawl Cap	4845	10BAG	Side Plate Cam Lever
3846	10D3N	Key Washer	4729	108WQ	O Ring	4846	10AZ8	Br Dial
3918	10G84	Washer	4761	10A0C	Star Drag Nut	4847	10D06	Right Side Plate
3927	10EX8	Ball Bearing	4784	106JX	Handle Knob Seal	4848	10HY2	Left Side Plate
4009	10FNZ	Idle Gear	4787	10J1Y	Star Drag Click Plate	4849	10CM5	Drive Gear
4033	108SK	Washer	4789	10HHM	Washer	4850	10CPR	Pinion Gear
4034	108Q2	Anti-Thrust Washer	4791	10GEX	Bearing Retainer	4856	104MZ	Washer
4036	10FFW	Line Guide Pawl	4793	10CCL	Roller Clutch Inner Tube	4857	10HSY	Right Side Plate Assembly
4116	103E9	Screw	4795	10CJ1	Drag Washer	4939	10988	Click Spring
4187	104VX	Ball Bearing	4796	10D6X	Anti-Reverse Ratchet	5310	10HJG	Idle Gear Pin
4194	105BP	Ball Bearing	4798	109T2	Drive Shaft Retainer	5421	10TM8	Roller Clutch Bearing
4259	10NJD	Level Wind Guard	4800	10NVM	Line Guide			
4316	10MT2	Screw	4801	104T7	Worm Shaft	3174	10PBQ	Reel Seat Spacer (Accessory)
4389	104BU	Yoke Spring	4806	10M2E	Screw	4692	10LQ0	B-100 Oil (Accessory)
4416	10471	Yoke	4807	10GUE	Level Wind Guide	4821	105M5	Brake Shoe S (Accessory)

Please note that the number of adjusting washers may not be the same as shown in the exploded views.
(Adjustment will vary with each individual product.)

(241204)_002