

KALLISTA®

Script® by KALLISTA Deck-Mount Bath Faucet with Diverter, Lever Handles P25003-LV

Features

- High-quality solid metal construction for durability and reliability
- Widespread bath faucet for 8" (203 mm) - 26" (660 mm) centers
- Required rough-in sold separately (P19304-00-NA)
- Required handshower and handshower trim sold separately
- Spout reach is 7-1/4" (184 mm)

Required Products/Accessories

P24761-00 Handshower with Hose

or

P21653-00 Handshower Trim

or

For deck-mount installation

P19304-00 Deck-Mount Bath Valve with Diverter

Recommended Products/Accessories

P50045-G5 Large Rectangular Air Bathtub

P21931-00 Traditional Drain Trim Kit

P25041-00 Towel Bar, 24"

P25006-LV Script Sink Faucet, Low Spout, Lever Handles



CSA B651

OBC

Codes/Standards

ASME A112.18.1/CSA B125.1

EPA WaterSense®

ICC/ANSI A117.1

CSA B651

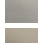

OBC

KALLISTA® Five-Year Limited Warranty

See website for detailed warranty
information.

Available Colors/Finishes

Color tiles intended for reference only.

Color	Code	Description
	CP	Polished Chrome
	BAF	Brushed French Gold
	BN	Brushed Nickel
	BV	Brushed Bronze
	SN	Polished Nickel

1-888-4-KALLISTA (1-888-452-5547)

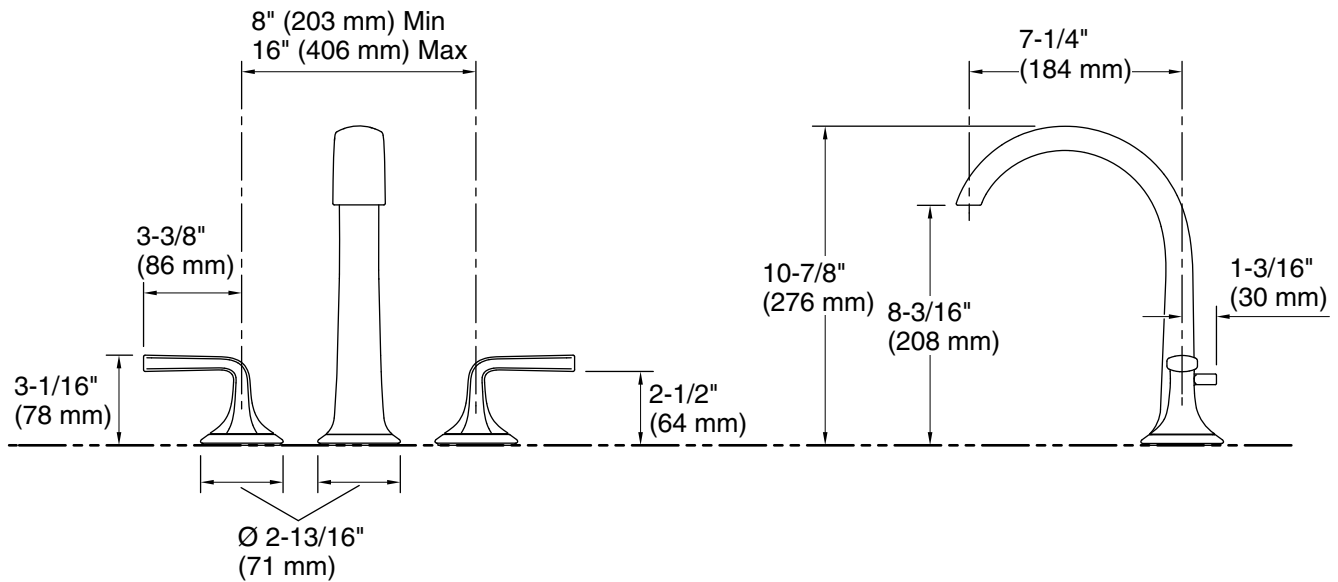
Kallista reserves the right to make revisions without notice to product specifications.

For the most current Specification Sheet, go to www.kallista.com.

4-3-2025 23:31 - US/CA

KALLISTA®

Script® by KALLISTA
Deck-Mount Bath Faucet with Diverter, Lever
Handles
P25003-LV



Technical Information

All product dimensions are nominal.

Faucet flow rate: 2.2 gal/min (8.3 l/min)

Spout:

Spout reach: 7-1/4" (185 mm)

Pressure/fixture Supply Requirements

Min flow rate: 1.2 gpm (4.5 lpm)

Notes

OBC, CSA B651 compliant when installed to the specific requirements of these regulations.

1-888-4-KALLISTA (1-888-452-5547)

Kallista reserves the right to make revisions without notice to product specifications.

For the most current Specification Sheet, go to www.kallista.com.

4-3-2025 23:31 - US/CA