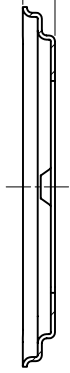
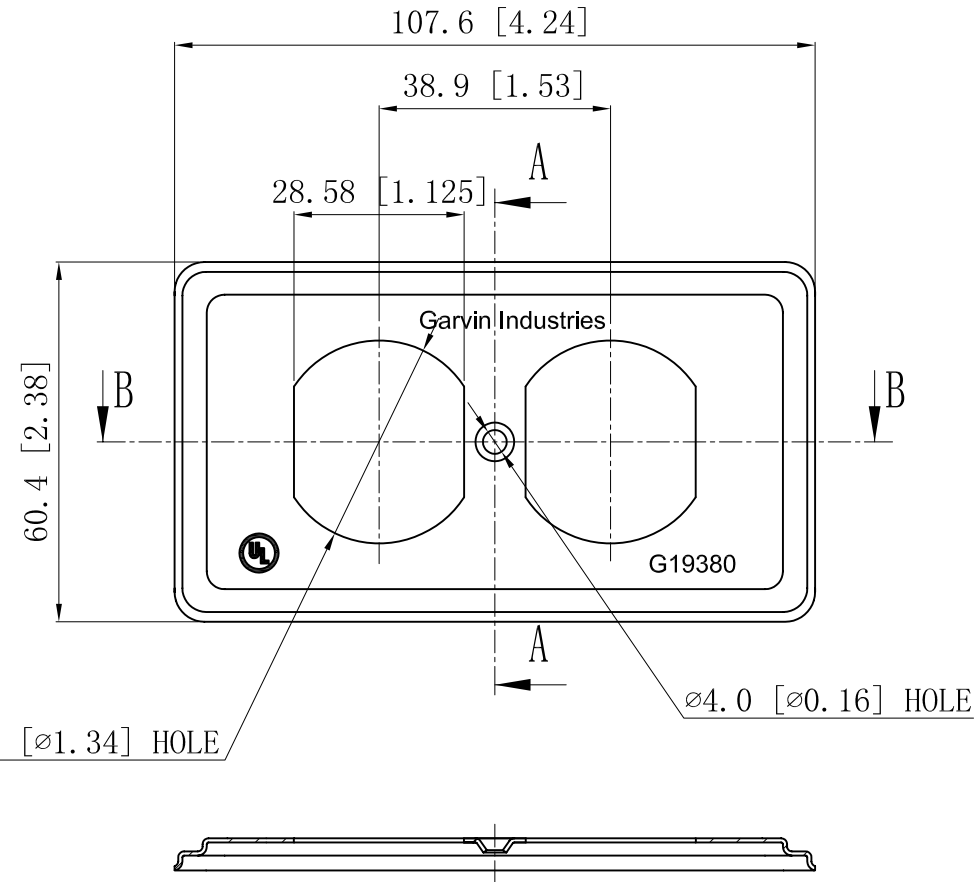


SIDES	BOTTOM
1 pcs captive #6-32×3/8", zinc plated	
Material:Steel-0.031MIN"-G60 Galvanized	

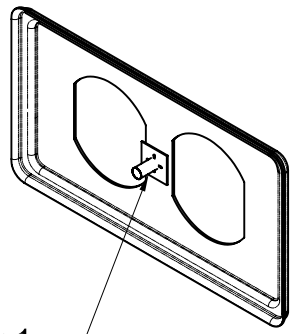
5.4 [0.21]



CUTAWAY VIEW A-A



CUTAWAY VIEW B-B



#6-32 × 1

DESCRIPTION
TRADE REFERENCE TERMS

This data sheet is for reference only .GARVIN INDUSTRIES reserves the right to make changes to the design without prior notice.

STANDARD PACKING	<h1 style="text-align: center;">GARVIN INDUSTRIES</h1>		
100 PCS			
	TITLE	HANDY UTILITY BOX COVERS	
	SIZE	DWG NO.	REV
	A4	G19380	D
	DATA SHEET		