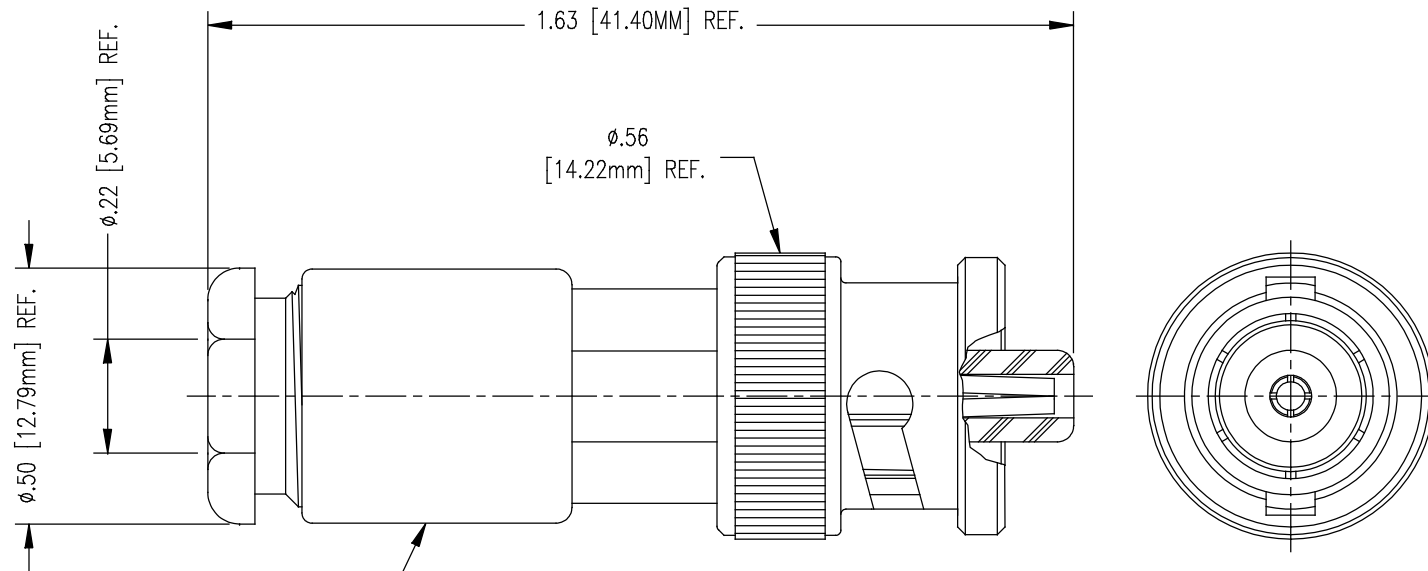


DASH NO.	M CODE	MADE FROM
----------	--------	-----------



STAMP: KINGS KV-59-56
YRWK (DATE CODE)

NOTES:

1. APPLY A BAND APPROX. 3/16" WIDE, OF RED DIE MAKERS INK, AT ASSEMBLY.
2. FOR USE WITH RG-55, 58, & 223/U CABLE GROUPS.
3. FOR CABLING INSTRUCTIONS SEE CP-1002.

UNLESS OTHERWISE SPECIFIED

1. ALL DIMENSIONS IN INCHES [MILLIMETERS].

2. TOLERANCES:

.XXX ±.004 .XX ±.010

[.XXX ±.10] [.XX ±.25]

FRACTIONS: X/Y ±.010 [.25] ANGLES: ± 1'

★ CRITICAL DIMENSIONS

REVISIONS

ISSUE	CHANGES
0	ER 11581 JGL 10/26/72
1	CN 26225 C CT 06/29/84
2	CN 27321 C CT 07/23/85
3	CN 38678 C BDH 10/04/02
E	ER 7584 BAM 04/14/08

SDKV-59-56

CUSTOMER
SALES DRAWING

SCALE 4:1

APPROX SURFACE AREA

USED ON

REF:

PLUG, MHV, POLARIZED

DRAWN BG DATE 09/13/72

DESIGN DATE

APPR. □ DATE 10/26/72



SDKV-59-56