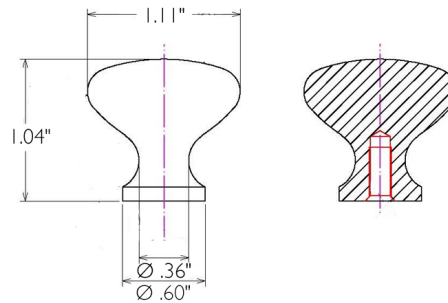


Mushroom Cabinet Knob 1.25" 25-Pack
Satin Nickel



SPECIFICATIONS

| | |
|--------------------------------|-------------------|
| MATERIAL CONSTRUCTION: | Zinc |
| MOUNTING HARDWARE INCLUDED: | Yes |
| TOOLS NEEDED FOR INSTALLATION: | Screwdriver |
| ASSEMBLED DIMENSIONS: | 1.04" H x 1.11" L |
| CENTER TO CENTER: | N/A |
| LEVER/PULL LENGTH: | N/A |
| PROJECTION: | 1.04" |
| KNOB DIAMETER: | 1.11" |
| ASSEMBLED WEIGHT: | 2.85 lbs. |

WARRANTY: 1-Year limited warranty
 LEGAL FOR SALE IN CALIFORNIA: Yes



TYPE:
 JOB:
 ORDER CODE:
 APPROVALS: