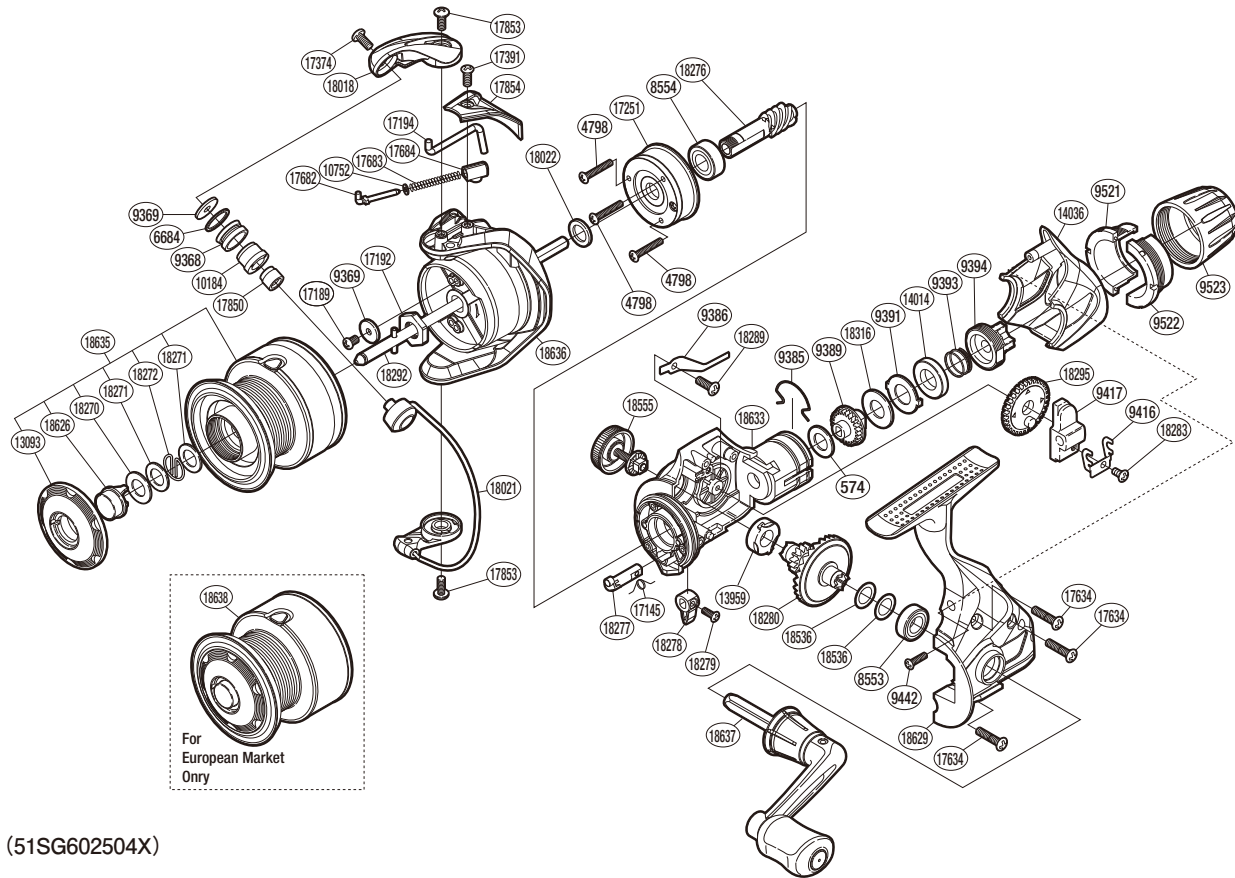


# SHIMANO

## CATANA

## CAT-2500RC



(51SG602504X)

#	Part No.	Description	#	Part No.	Description	#	Part No.	Description
574	10KHX	Drag Washer	13959	10J6N	Drive Gear Bushing	18272	10AX2	Locking Spring
4798	103C6	Screw	14014	10BX6	Drag Collar	18276	10SG0	Pinion Gear
6684	10KFD	Line Roller Spacer	14036	10NE1	Rear Protector	18277	10SS7	Anti-Reverse Cam
8553	107AT	Ball Bearing	17145	105B4	Anti-Reverse Cam Spring	18278	10SSA	Anti-Reverse Lever
8554	107FE	Ball Bearing	17189	10PMC	Screw	18279	10L1V	Screw
9368	10JLF	Line Roller	17192	1067Y	Rotor Nut	18280	10SS0	Drive Gear
9369	10PFP	Washer	17194	106P2	Bail Trip Lever	18283	10L23	Screw
9385	10P3W	Hold Click Spring	17251	10QPN	Roller Clutch Assembly	18289	10LFJ	Screw
9386	10P0E	Drag Click	17374	10K90	Screw	18292	10EC8	Main Shaft
9389	10MXP	Drag Shaft	17391	10LFK	Screw	18295	10SSB	Oscillating Gear
9391	10N7X	Eared Washer	17634	10L6Q	Screw	18316	107CV	Drag Washer
9393	10NBE	Drag Coil Spring	17682	1061L	Bail Spring Guide A	18536	1003B	Washer
9394	10MV8	Pressure Screw	17683	105R6	Bail Spring	18555	101VG	Handle Screw Cap
9416	10JZH	Oscillating Slider Retainer	17684	107AB	Bail Spring Seat	18626	10JRS	Push Button
9417	104L0	Oscillating Slider	17850	1020X	Line Roller Collar	18629	10T09	Side Cover
9442	10L1X	Screw	17853	10LFH	Screw	18633	101AM	Body
9521	107TY	Drag Programmer B1	17854	10DNX	Bail Spring Cover	18635	10T0B	Spool Assembly
9522	10NC8	Drag Programmer B2	18018	101ZD	Bail Arm	18636	10T0G	Rotor
9523	10MVN	Drag Programmer A	18021	10RUM	Bail Assembly	18637	10TON	Handle Assembly
10184	10PFH	Line Roller Bushing	18022	10JVH	Washer			
10752	10TYE	Bail Spring Guide A Support	18270	10AX1	Washer			
13093	10QF5	Push Button Collar	18271	10AX4	Washer	18638	10T0A	Spare Spool Assembly

Please note that the number of adjusting washers may not be the same as shown in the exploded views.  
(Adjustment will vary with each individual product.)

(230823)\_003