



Thank you for purchasing Leick Furniture products.
 Contact customer service for comments or concerns.

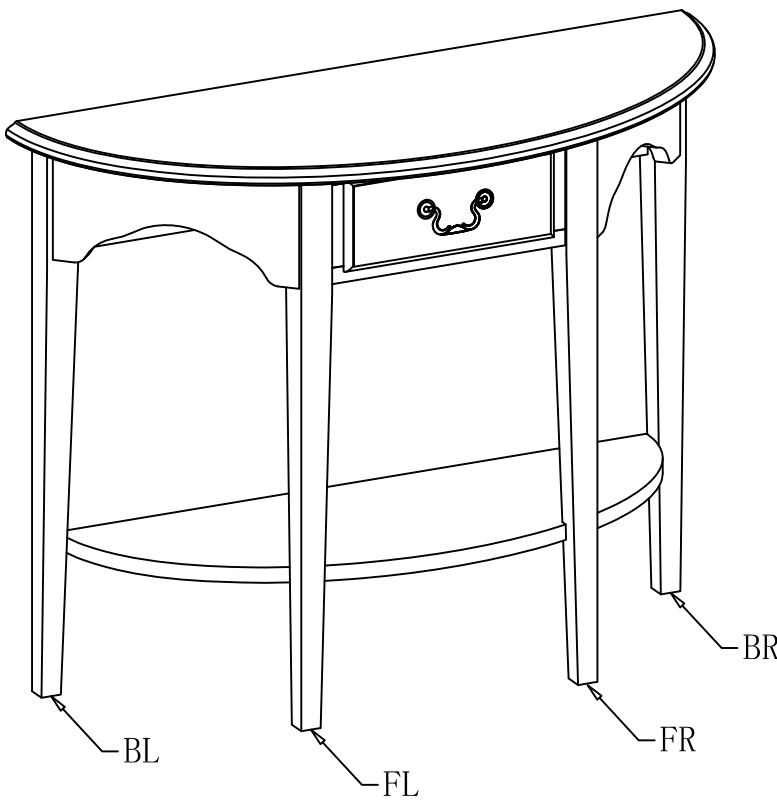
Sheboygan, WI

920-451-4060

info@leickfurnituresince1910.com

www.leickfurnituresince1910.com

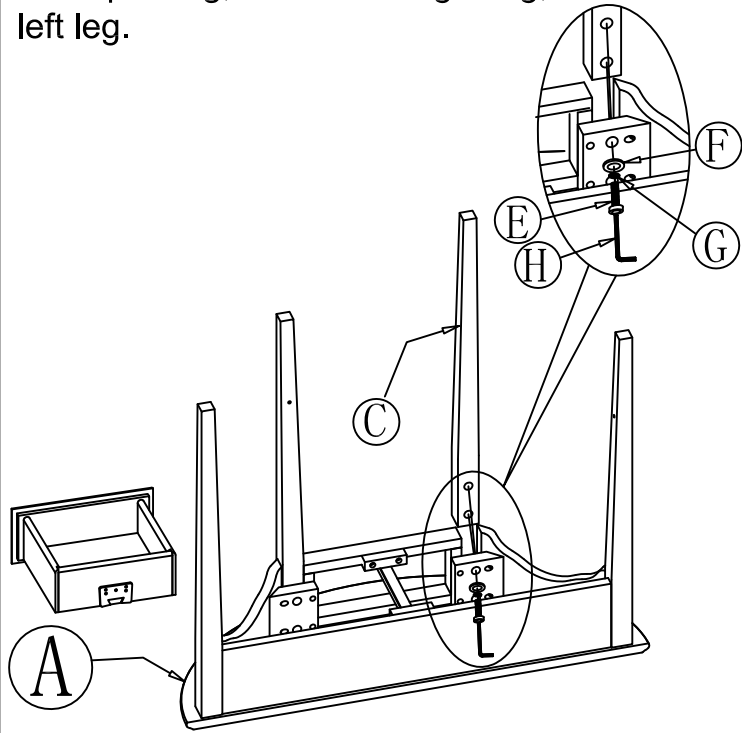
Assembly Instructions, #9036 Demilune Console Table



A: Top Assembly	
B: Shelf	
C: (2) Front Legs	
D: (2) Back Legs	
E: (8) Bolts	
F: (8) Flat Washers	
G: (8) Lock Washers	
H: Allen Wrench	
I: (4) Shelf Supports	
J: (4) Screws	
K: (2) Extra Drawer Glides	

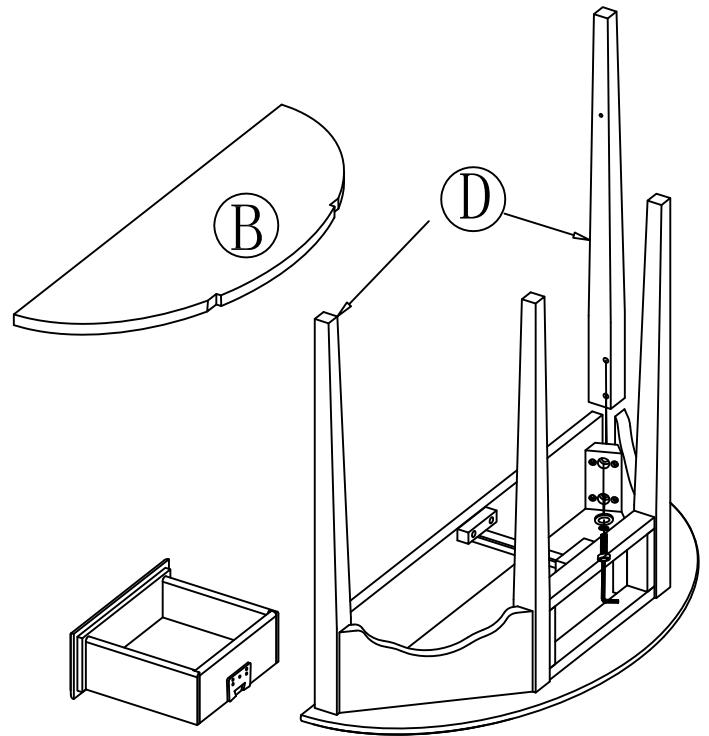
Step 1

Remove drawer and put the top assembly upside down, attach and tighten front legs with (E, G, and F) parts. We put stickers on the top of leg, FR is front right leg, FL is front left leg.



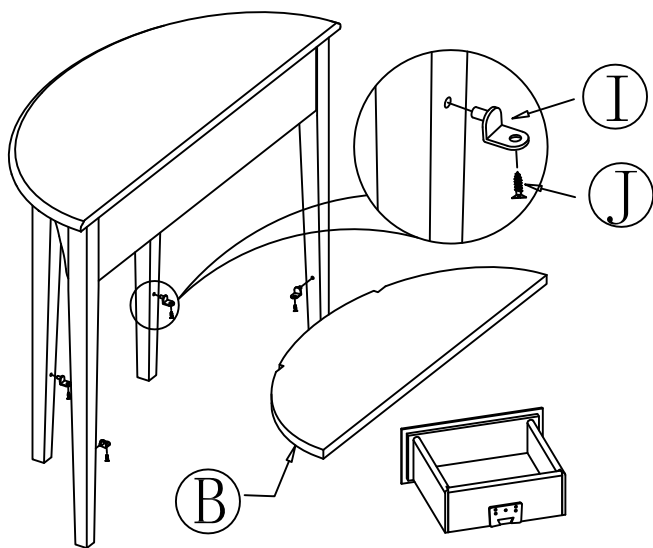
Step 2

Attach and tighten back legs with (E, G, and F) parts. BR is back right leg, BL is back left leg.



Step 3

Put the table upright. Insert the shelf supports and put the shelf on. Place the table on its back and fasten the shelf with screws.



Step 4

Place the table upright and put the drawer back into the table.

