



Thank you for purchasing Leick Furniture products.
Contact customer service for comments or concerns.

Sheboygan, WI



800-558-8700.

cs@todaysdesignhouse.com





© todaysdesignhouse.com

Assembly Instructions, #9075 Top Drawer and Bottom Door Nightstand/Side Table with Top AC/USB Charger

Parts List

Item	Parts	Description	Quantity
A		Top Assembly	1
B		Legs	4

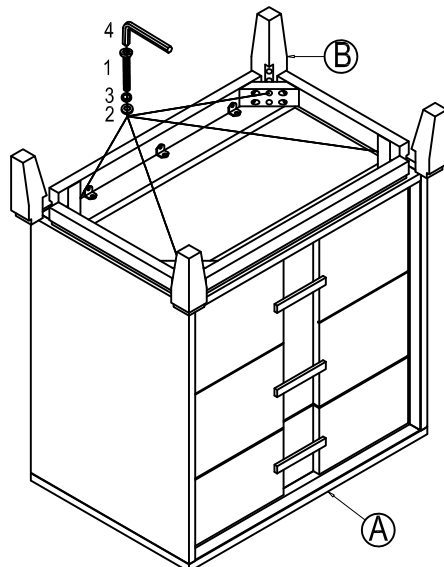
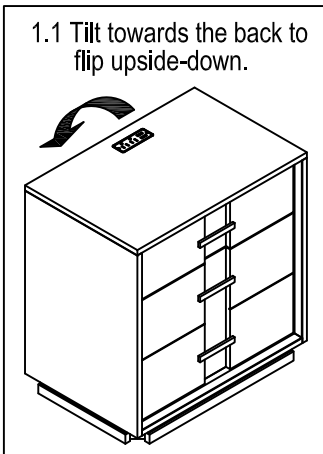
Hardware List

Item	Hardware	Description	Quantity
1		Allen Bolts	8
2		Flat Washers	8
3		Lock Washers	8
4		Allen Wrench	1

Assembly Steps

Step 1

- 1.1 Lay the Top Assembly (A) upside-down on a soft surface by tilting to the back.
- 1.2 Fasten the legs with (8) bolts, flat washers and lock washers using the Allen wrench. Tighten.



Step 2

- 2.1 Return the assembled piece upright.

