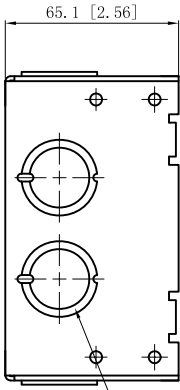
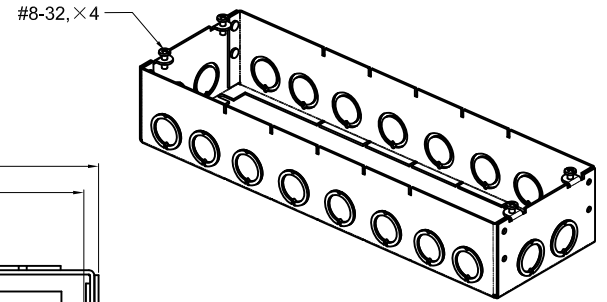
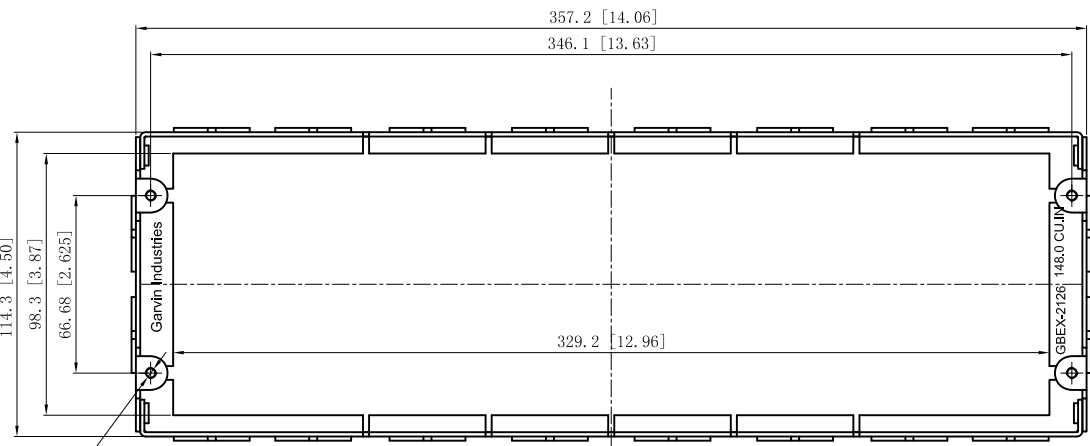


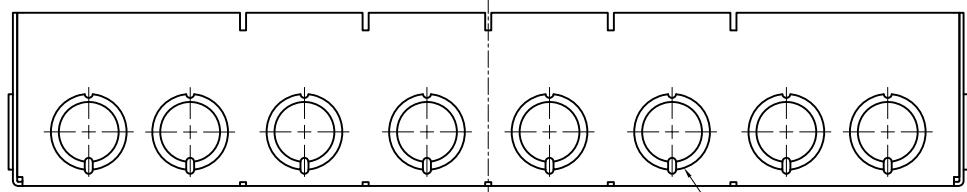
<b>SIDES</b>	<b>BOTTOM</b>
18 1/2"-3/4" KNOCKOUTS	
4 PCS 8-32X1/2 Screws Installed	
Material:Steel-0.0625"-G60 Galvanized	



4 1/2"-3/4" KNOCKOUTS  $\phi=22.5[\phi=0.89]$   
 $\phi=28.5[\phi=1.12]$  MIRROR



4-#8-32 UNC HOLE



16 1/2"-3/4" KNOCKOUTS  $\phi=22.5[\phi=0.89]$   
 $\phi=28.5[\phi=1.12]$  MIRROR

This data sheet is for reference only .GARVIN INDUSTRIES reserves the right to make changes to the design without prior notice.

<b>DESCRIPTION</b>
<b>TRADE REFERENCE TERMS</b>

<b>STANDARD PACKING</b>
5 PCS

<b>GARVIN INDUSTRIES</b>			
TITLE 2-1/2" DEEP MULTI-GANG BOXES			
SIZE A4	DWG NO. GBEC-2126	REV A	
DATA SHEET			