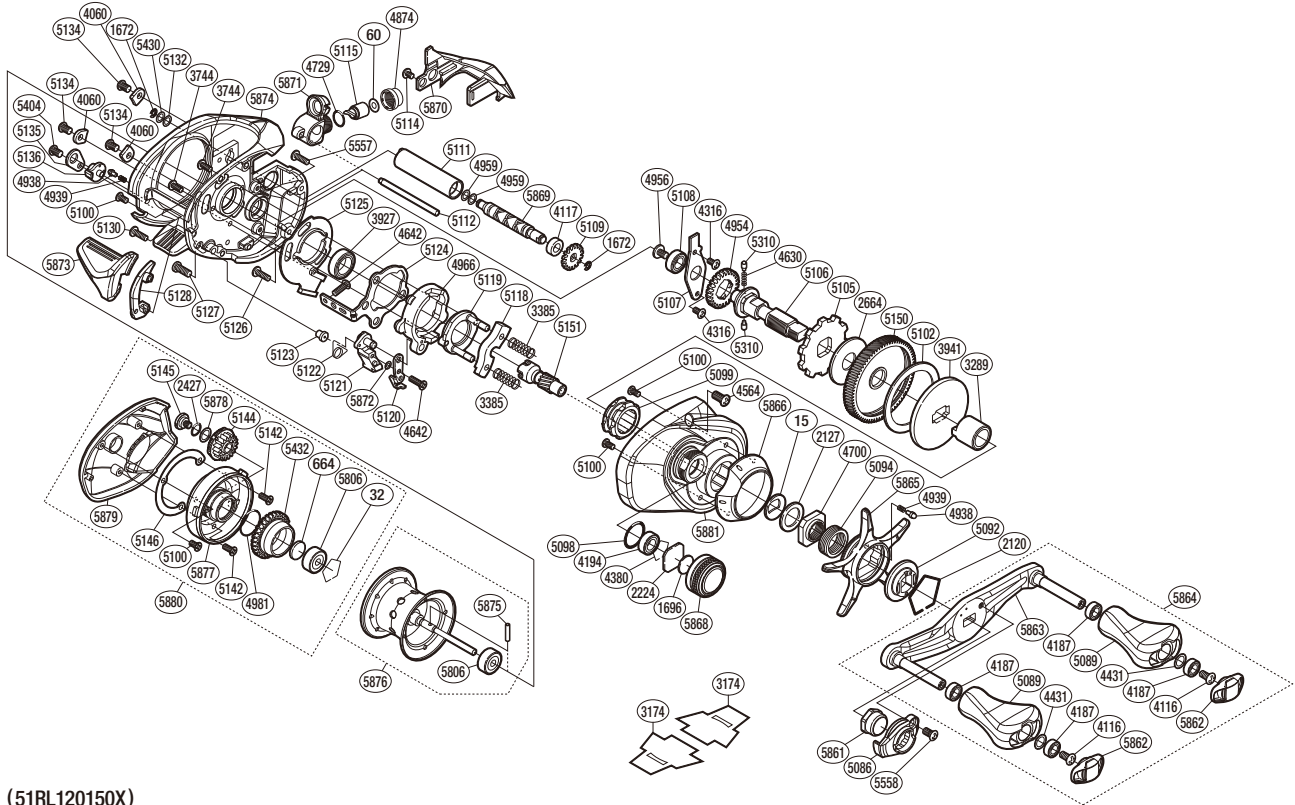


SHIMANO

ALDEBARAN MGL

ALD MGL-50HG



(51RL120150X)

#	Part No.	Description	#	Part No.	Description	#	Part No.	Description
0015	10D60	Drag Spring Washer	4981	10LA8	O Ring	5145	10A6K	Screw
0032	10GEW	Bearing Retainer	5086	10Q5S	Handle Retainer	5146	108AZ	Washer
0060	10CFW	Spacer	5089	10327	Handle Knob	5150	10CNU	Drive Gear
0664	1057S	Spacer B	5092	10J1Z	Star Drag Click Plate	5151	10CS7	Pinion Gear
1672	105NC	E Lock	5094	10A78	Star Drag Spring	5310	10HJG	Idle Gear Pin
1696	1089E	Cast Control Spacer	5098	10LA9	O Ring	5404	10DN7	Screw
2120	10KXV	Click Plate Retainer	5099	10F35	Roller Clutch Bearing	5430	10GA0	Washer
2127	10J1N	Star Drag Spacer	5100	1055J	Screw	5432	101S2	Brake Pipe Gear Assembly
2224	1085F	Spool Tension Spacer	5102	1071R	Drag Washer	5557	10LPJ	Screw
2427	108WS	O Ring	5105	10D72	Anti-Reverse Ratchet	5558	10R1Q	Screw
2664	10CJ4	Drag Washer	5106	105CE	Drive Shaft	5806	10S37	Ball Bearing
3289	10BN7	Roller Clutch Inner Tube	5107	109S2	Drive Shaft Retainer	5861	10S35	Handle Nut
3385	104BJ	Yoke Spring	5108	105BV	Ball Bearing	5862	10TNJ	Handle Knob Seal
3744	10LVH	Screw	5109	10FNX	Idle Gear	5863	100Q7	Handle Shank Assembly
3927	10EX8	Ball Bearing	5111	10NFW	Level Wind Guard	5864	10036	Handle Assembly
3941	10D3R	Key Washer	5112	10QSG	Stabilizer Bar	5865	10S3C	Star Drag
4060	108AT	Side Frame Plate	5114	10MPF	Screw	5866	10TMN	Clutch Button Attachment
4116	103E9	Screw	5115	10FFU	Line Guide Pawl	5868	10S3A	Cast Control Cap
4117	10PXY	Bushing	5118	1046Z	Yoke	5869	10048	Worm Shaft
4187	104VX	Ball Bearing	5119	10F3Z	Clutch Cam Retainer	5870	10S3D	Level Wind Protector
4194	105BP	Ball Bearing	5120	10458	Clutch Pawl	5871	100Q4	Line Guide Assembly
4316	10MT2	Screw	5121	105ZP	Clutch Pawl	5872	1059U	Washer
4380	1057X	Retainer	5122	104CL	Clutch Pawl Spring	5873	10TQT	Clutch Lever Assembly
4431	10G8G	Washer	5123	10C44	Clutch Spring Holder	5874	100Q6	Frame Assembly
4564	10LZD	Screw	5124	10QLF	Clutch Plate	5875	10MCZ	Spool Clutch Pin
4630	10JDX	Idle Gear Spring	5125	10BVU	Clutch Guard	5876	10ST6	Spool Assembly
4642	10PVS	Screw	5126	1055A	Screw	5877	100QE	Brake Case Assembly
4700	10A0B	Star Drag Nut	5127	103DF	Screw	5878	10191	Washer
4729	108WQ	O Ring	5128	10973	Clutch Bar Guide	5879	10S3B	Left Side Plate
4874	10FJB	Pawl Cap	5130	1055C	Screw	5880	10TB3	Left Side Plate Assembly
4938	10B27	Click Pin	5132	10GN1	Washer	5881	10S74	Right Side Plate
4939	10988	Click Spring	5134	103H0	Screw			
4954	10J6W	Idle Gear	5135	10BGQ	Cam Lever Retainer			
4956	10PVT	Screw	5136	10BAU	Side Plate Cam Lever			
4959	10GFJ	Washer	5142	10559	Screw	3174	10PBQ	Reel Seat Spacer (Accessory)
4966	10K0X	Clutch Cam	5144	10B20	Br Dial	4692	10LQ0	B-100 Oil (Accessory)

Please note that the number of adjusting washers may not be the same as shown in the exploded views.
(Adjustment will vary with each individual product.)

(230605)_003