

# Assembly Guide



**Bush**  
FURNITURE

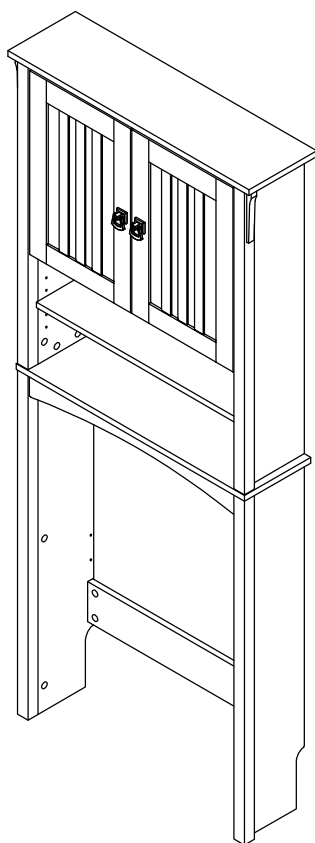


If you're having any difficulty during assembly of this product, don't hesitate to call us at **1-800-950-4782.**

Our customer service experts are trained to provide step-by-step instruction and can easily replace any missing or damaged parts.

**Representatives are available Monday-Friday from 8:30 a.m. to 7:30 p.m. (ET)**

## Over Toilet Storage



Lot Code #

Part Number A199328A

Keep manual for future reference.

**For best results, keep these tips in mind:**

- ① We know you want to finish this assembly as quickly as possible, but trust us: you'll have a better experience if you take it one step at a time.
- ② Give yourself some room to work near where you want the fully assembled product.
- ③ If your floor isn't carpeted, assemble this product on the empty carton to avoid scratching.
- ④ Do you have a friend who owes you a favor? Some steps may go a little easier with a second set of hands.

**DOs**

- ✔ Use a #2 Phillips head screwdriver (or other handheld tools as indicated)
- ✔ Wear safety glasses at all times during assembly
- ✔ Carefully follow the instructions in this guide and complete all steps in order
- ✔ Give us a call if you're having trouble with a particularly tricky step

**DON'Ts**

- ✘ We know power tools are quick and easy, but you shouldn't use them when assembling this product (unless otherwise specified)
- ✘ Never move your furniture with items inside or resting on the surface
- ✘ Do not attempt to use this product before all steps have been completed

**Watch assembly videos right on your phone or computer!**

Some steps include QR codes that link to helpful videos. Watch out for the icon below! Simply open up your smartphone camera to scan the code.

*(Users of older smartphones may need to install a QR Reader.)*

**SCAN HERE****FOR VIDEOS**

Or visit <https://bushfurniture.com/help-faq/#assembling>

## IMPORTANT SAFETY INFORMATION



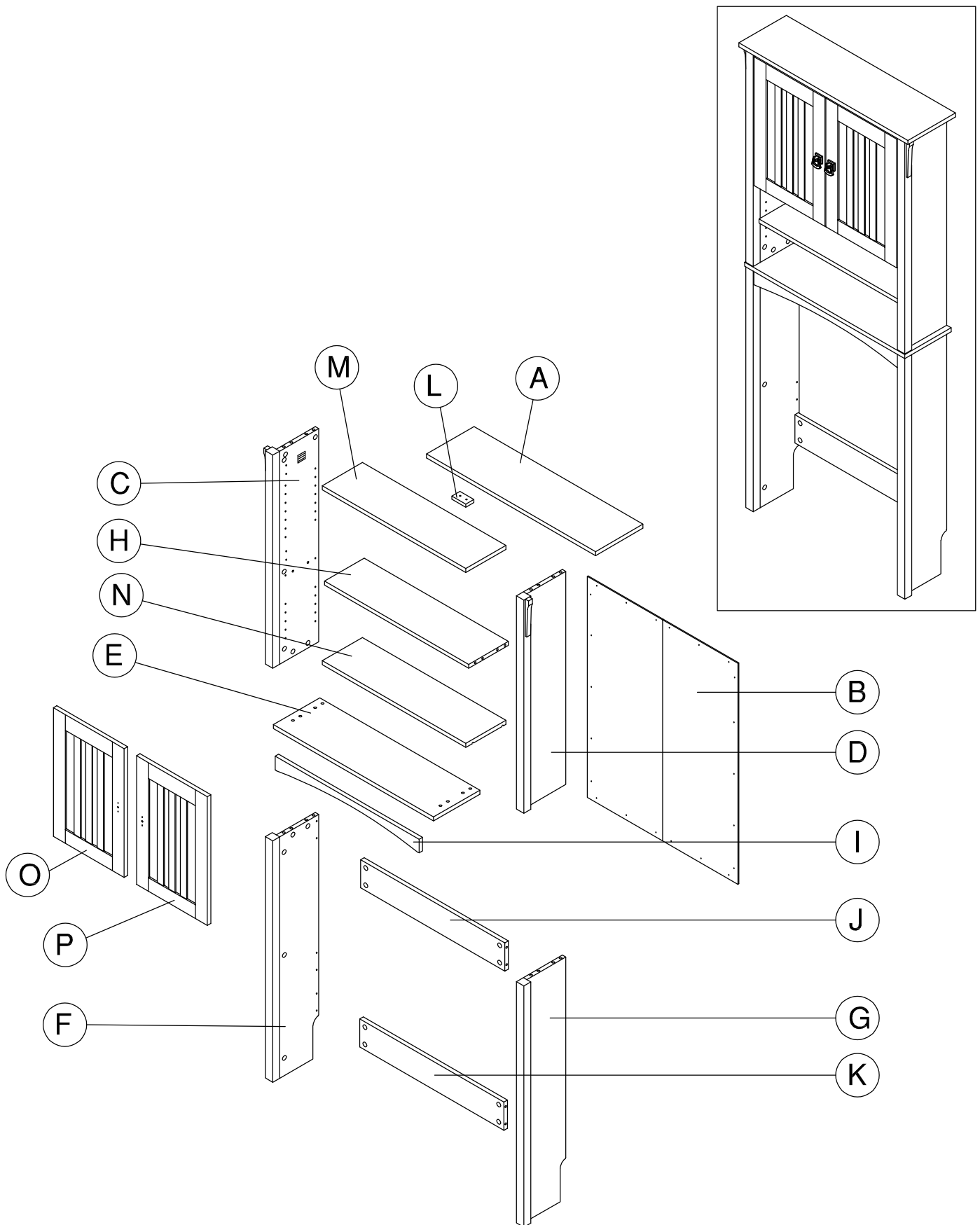
# PLEASE READ WARNINGS

Improper use can cause safety hazards, or damage to your furniture and household items.

Warning	Do	Don't	Why it's important
<b>Serious injury may occur.</b>	<ul style="list-style-type: none"><li>Assemble following all instructions using all indicated parts and hardware provided.</li></ul>		Improper assembly, use or loading can lead to product instability, tip-over or collapse.

Advertencia	Hacer	No	Por qué es importante
<b>Se pueden producir lesiones graves.</b>	<ul style="list-style-type: none"><li>Ensamble siguiendo todas las instrucciones utilizando todas las piezas y ferretería indicados provistos.</li></ul>		El ensamblaje, uso o carga inadecuados pueden provocar inestabilidad del producto, vuelco o colapso.

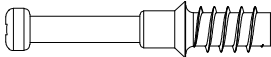
Avertissement	Faire	Ne le fais pas	Pourquoi c'est important
<b>Des blessures graves peuvent survenir.</b>	<ul style="list-style-type: none"><li>Assemblez en suivant toutes les instructions en utilisant toutes les pièces et le matériel indiqués fournis.</li></ul>		Un assemblage, une utilisation ou un chargement incorrects peuvent entraîner une instabilité du produit, un renversement ou un effondrement.



Have an assembly question or need a replacement part? Just call  
**1-800-950-4782**, we are here to help.

Fasteners are shown actual size.

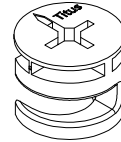
H180604



KD Bolt

[ 18 ]

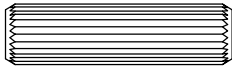
H200020



KD Cam

[ 26 ]

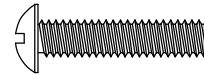
H38169



Wood Dowel  
8 x 30mm

[ 19 ]

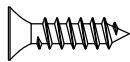
H127839



M4 x 22mm

[ 2 ]

H200028



M3.5 X 16mm

[ 8 ]

H200029



M3.5 X 20mm

[ 2 ]

H200034



Connector Fix 2 Head 64mm

[ 4 ]

Have an assembly question or need a replacement part? Just call  
**1-800-950-4782**, we are here to help.

Hardware not to scale.

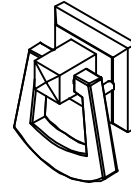
H200021



Tack Glide

[ 4 ]

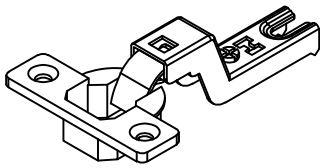
H159990



Handle

[ 2 ]

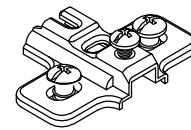
H170611



Hinge

[ 4 ]

H170612



Mounting Plate

[ 4 ]

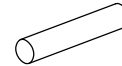
H200022



Bumper  
Ø12x2mm

[ 2 ]

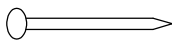
H23604



Shelf Pin  
1" x 3/16"

[ 8 ]

H200011



Nail

[ 22 ]



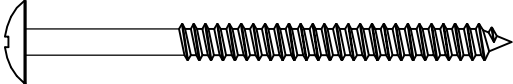
Cover Cap

[ 38 ]

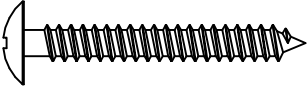
Have an assembly question or need a replacement part? Just call  
**1-800-950-4782**, we are here to help.

Hardware not to scale.

## TIP OVER RESTRAINT HARDWARE

H194287  [ 2 ]

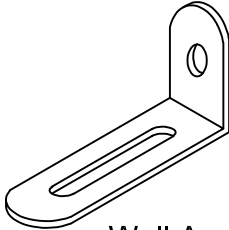
# 10 X 2.5 "

H200043  [ 2 ]

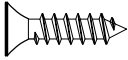
M4 X 38mm

H200009  [ 2 ]

Wall Plug

H191090  [ 2 ]

Wall Anchor

H200028  [ 2 ]

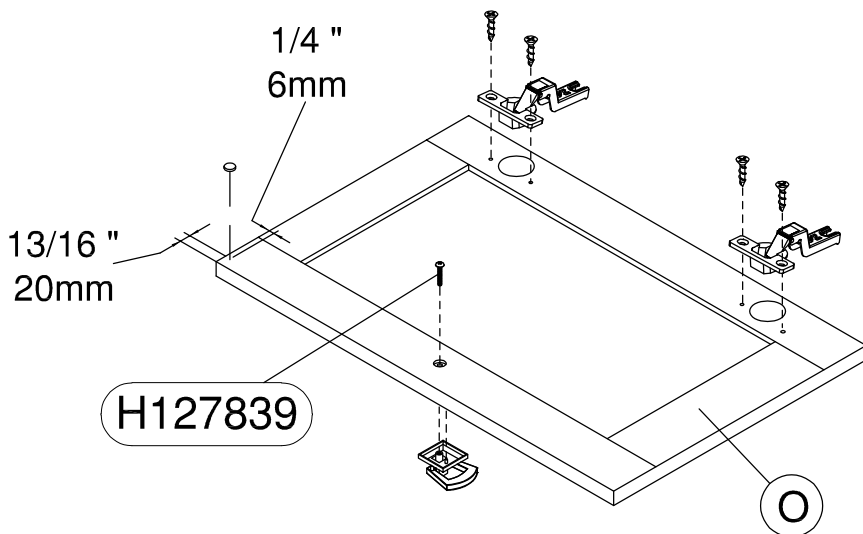
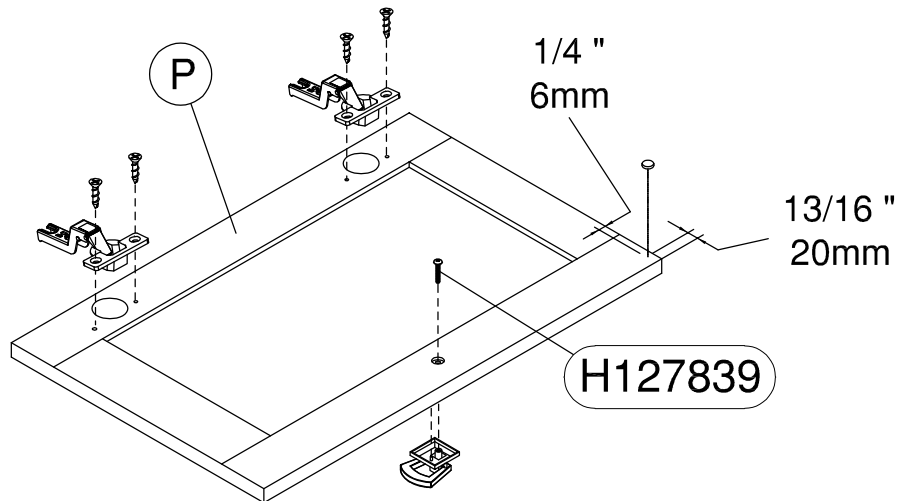
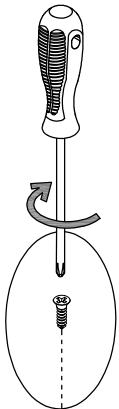
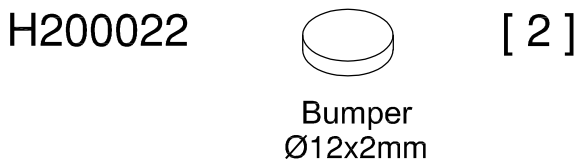
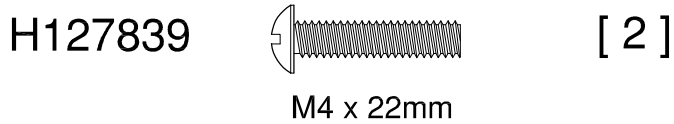
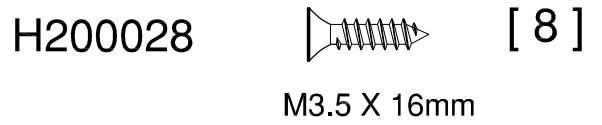
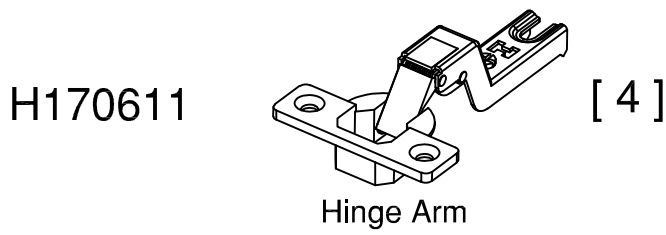
M3.5 X 16mm

Have an assembly question or need a replacement part? Just call  
**1-800-950-4782**, we are here to help.

# STEP 1

## Prepare Doors

A199328A



Have an assembly question or need a replacement part? Just call  
**1-800-950-4782**, we are here to help.

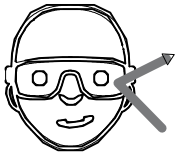


H38169

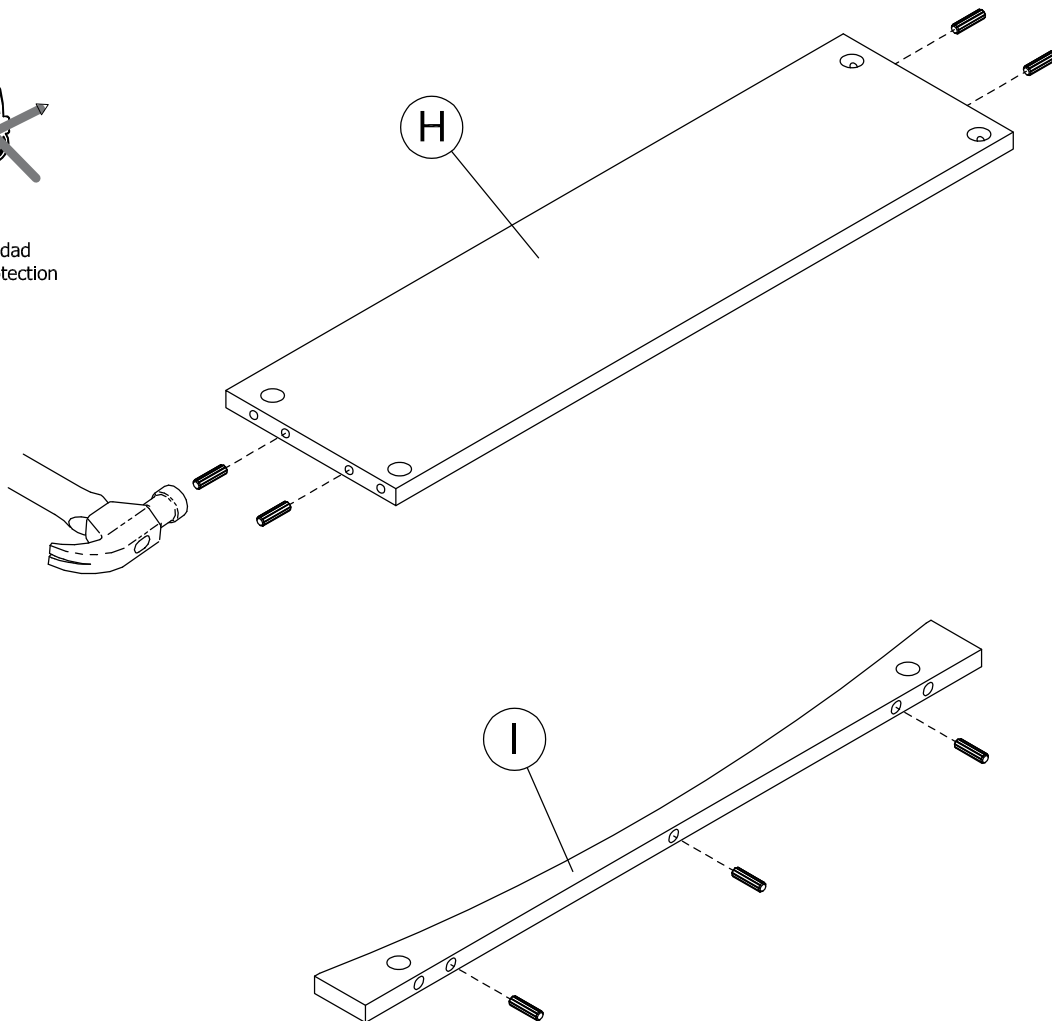


[ 7 ]

Wood Dowel  
8 x 30mm



Safety glasses  
Gafas de seguridad  
Lunettes de protection



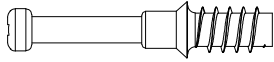
Have an assembly question or need a replacement part? Just call  
**1-800-950-4782**, we are here to help.

# STEP 3

# Prepare Panels

A199328A

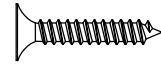
H180604



[ 6 ]

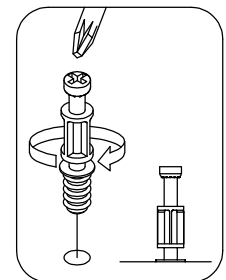
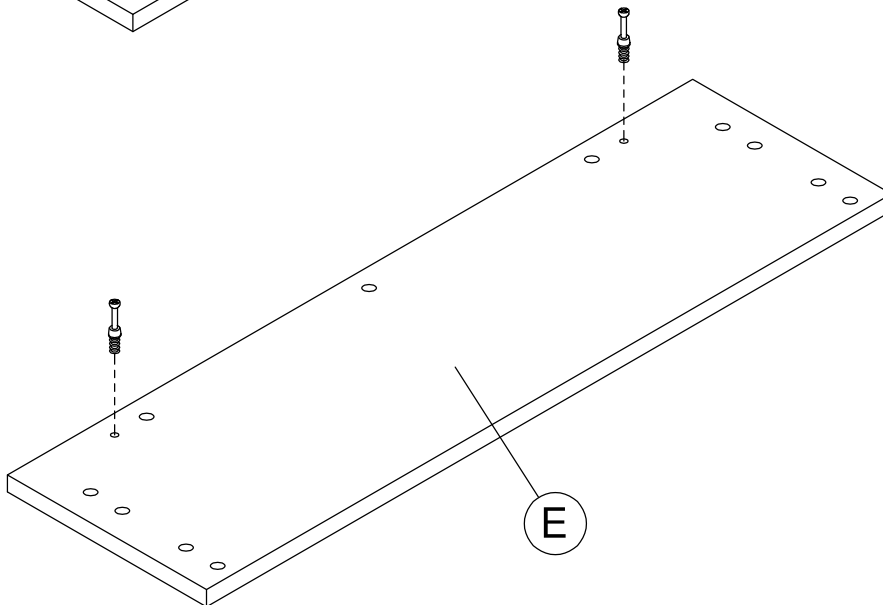
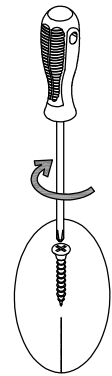
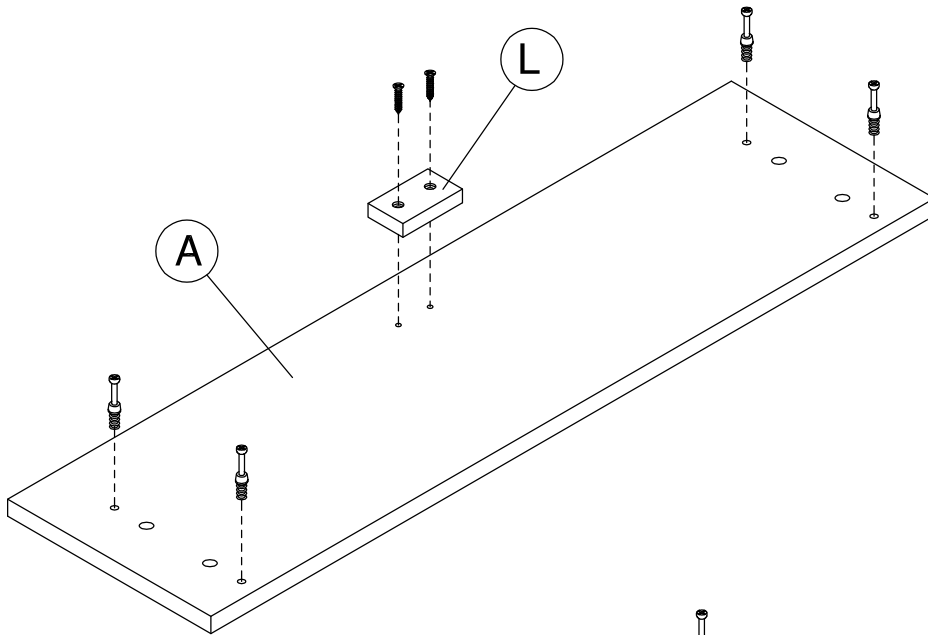
KD Bolt

H200029



[ 2 ]

M3.5 X 20mm



Have an assembly question or need a replacement part? Just call  
**1-800-950-4782**, we are here to help.

# STEP 4

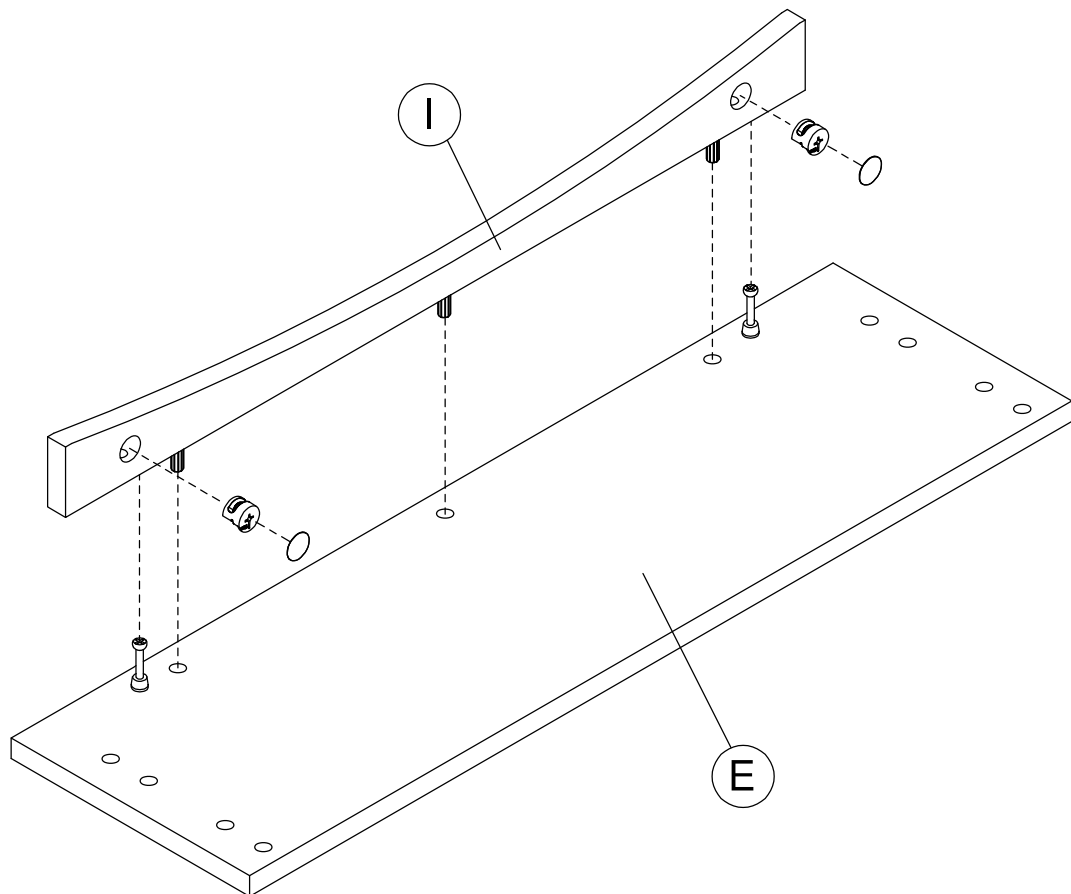
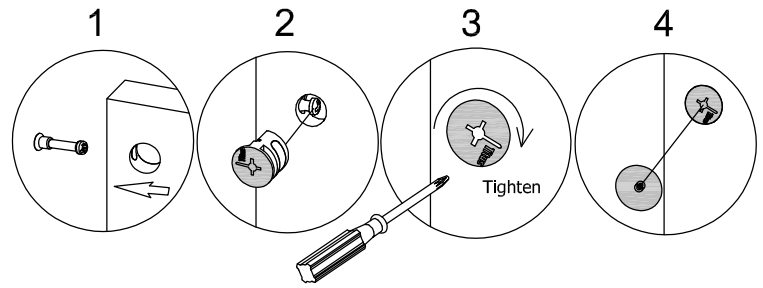
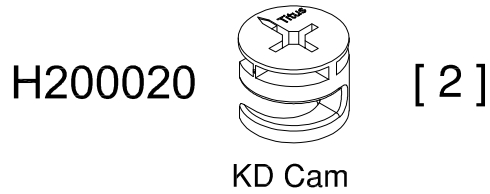
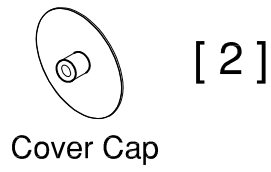
# Assemble Panels

A199328A

Scan QR Code to Watch Video on:



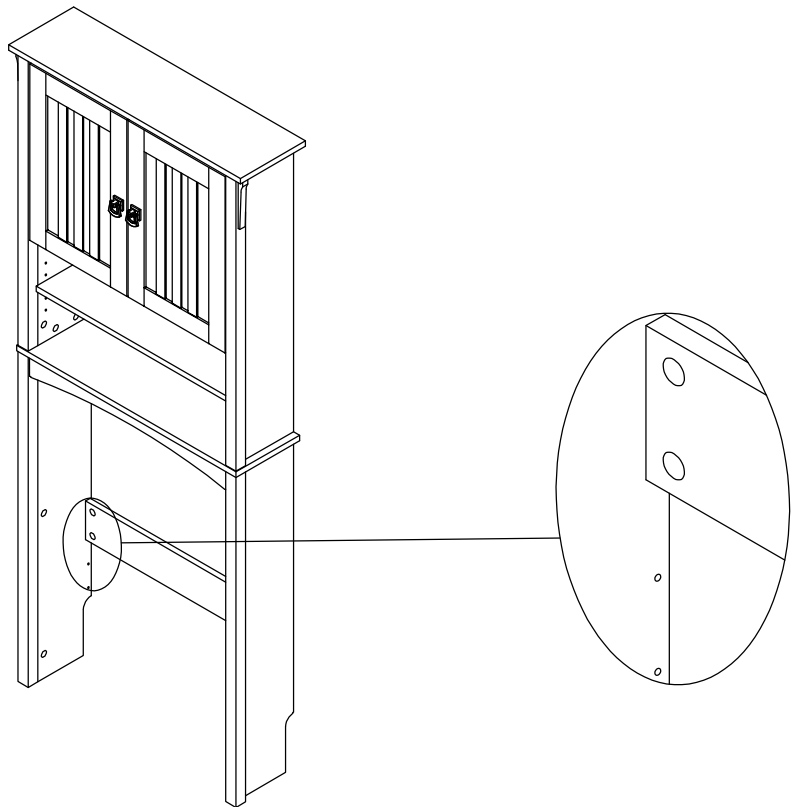
How to Tighten KD Cams



Have an assembly question or need a replacement part? Just call **1-800-950-4782**, we are here to help.

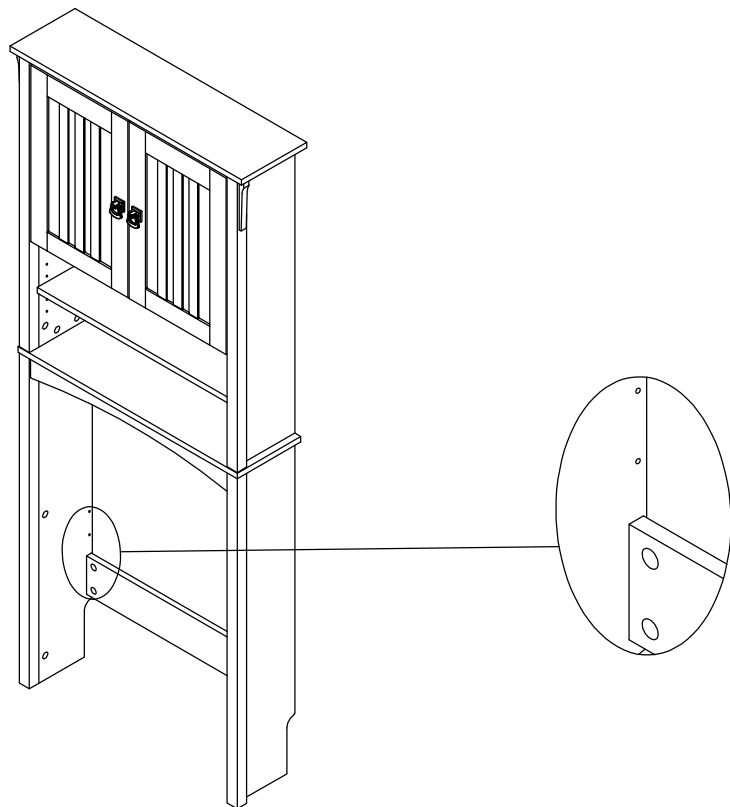
### Upper Option

**Go to step 6**  
**Proceda al paso 6**  
**Allez a l'etape 6**



### Lower Option

**Go to step 9**  
**Proceda al paso 9**  
**Allez a l'etape 9**



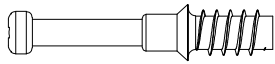
Have an assembly question or need a replacement part? Just call  
**1-800-950-4782**, we are here to help.

# STEP 6

# Prepare Panels

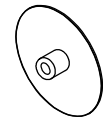
A199328A

H180604



[ 8 ]

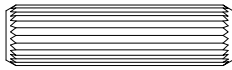
KD Bolt



[ 6 ]

Cover Cap

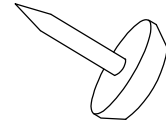
H38169



[ 4 ]

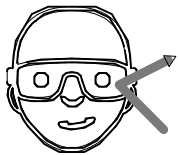
Wood Dowel  
8 x 30mm

H200021



[ 4 ]

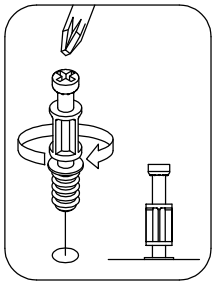
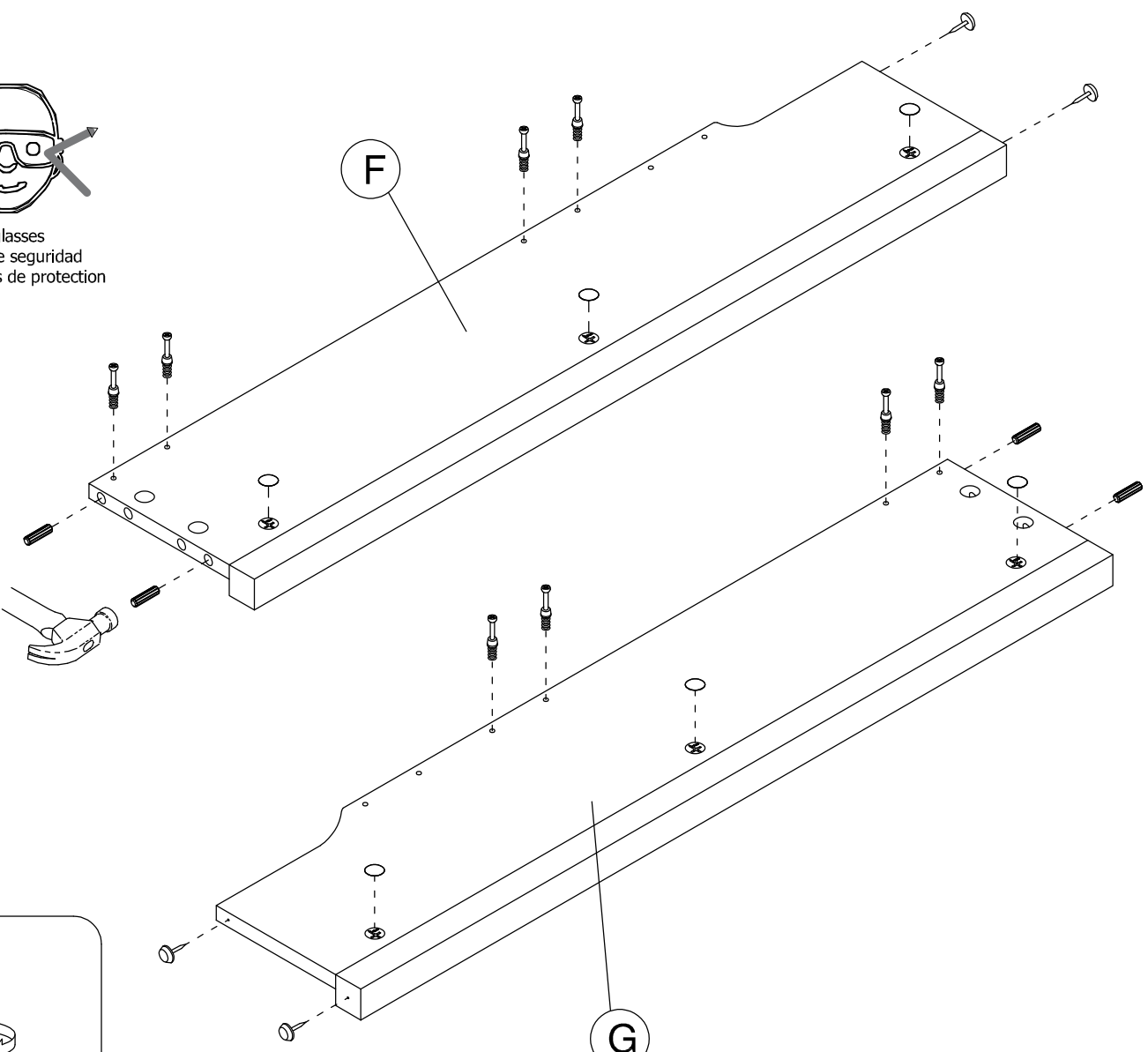
Tack Glide



Safety glasses  
Gafas de seguridad  
Lunettes de protection

F

G



Have an assembly question or need a replacement part? Just call  
**1-800-950-4782**, we are here to help.

# STEP 7

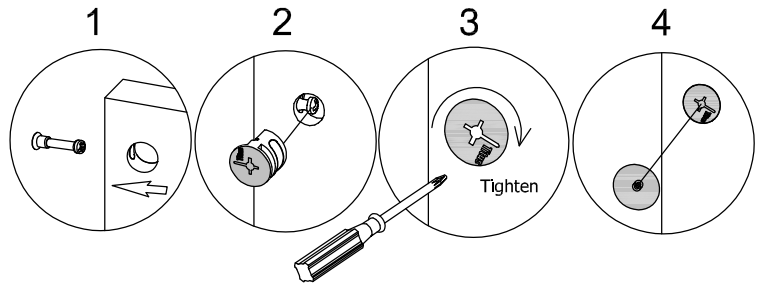
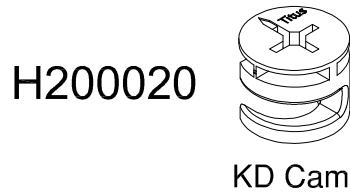
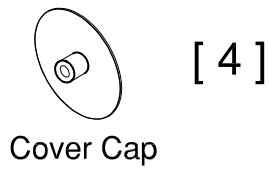
# Assemble Panels

A199328A

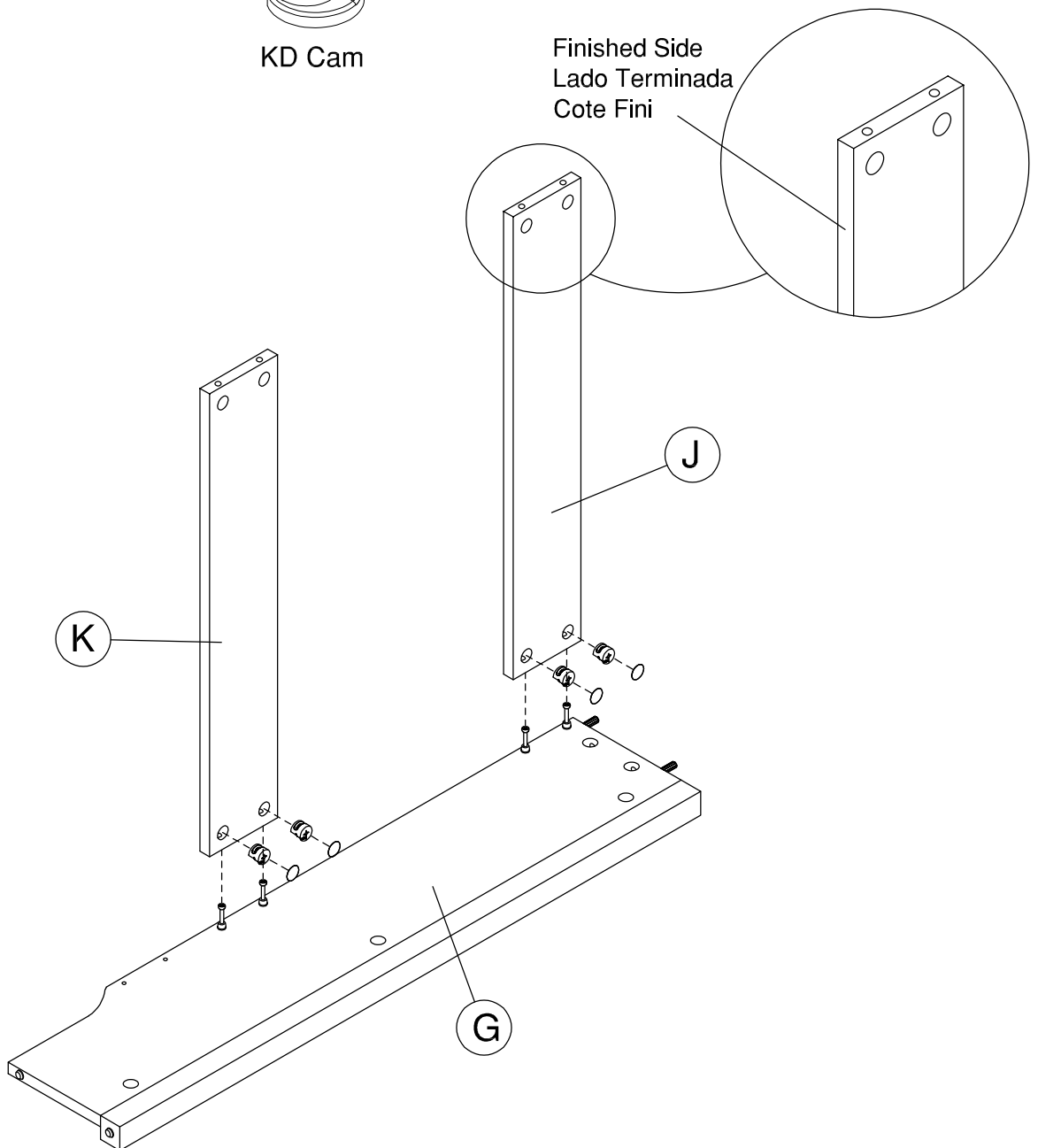
Scan QR Code to Watch Video on:



How to Tighten KD Cams



Finished Side  
Lado Terminada  
Cote Fini



Have an assembly question or need a replacement part? Just call **1-800-950-4782**, we are here to help.

# STEP 8

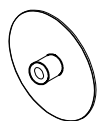
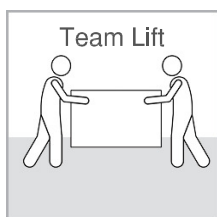
## Assemble Panels

A199328A

Scan QR Code to Watch Video on:



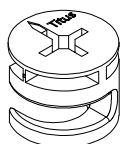
How to Tighten KD Cams



Cover Cap

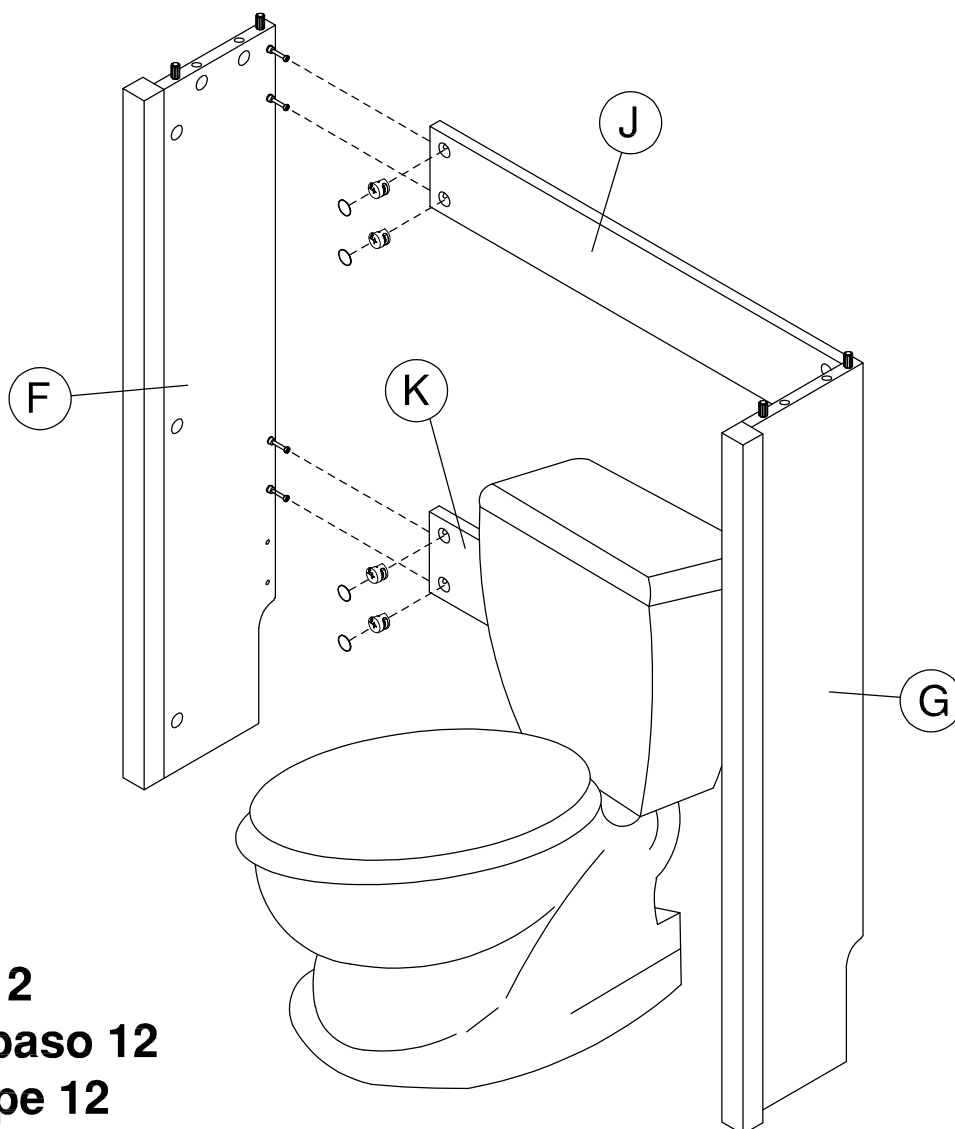
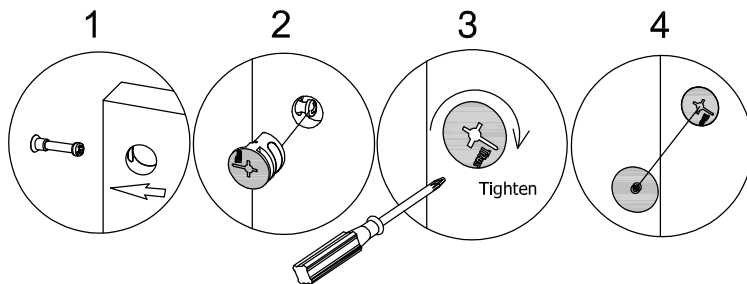
[ 4 ]

H200020



KD Cam

[ 4 ]



**Go to step 12**  
**Proceda al paso 12**  
**Allez a l'etape 12**

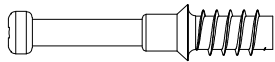
Have an assembly question or need a replacement part? Just call  
**1-800-950-4782**, we are here to help.

# STEP 9

# Prepare Panels

A199328A

H180604



[ 8 ]

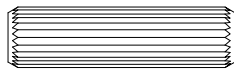
KD Bolt



[ 6 ]

Cover Cap

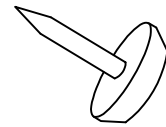
H38169



[ 4 ]

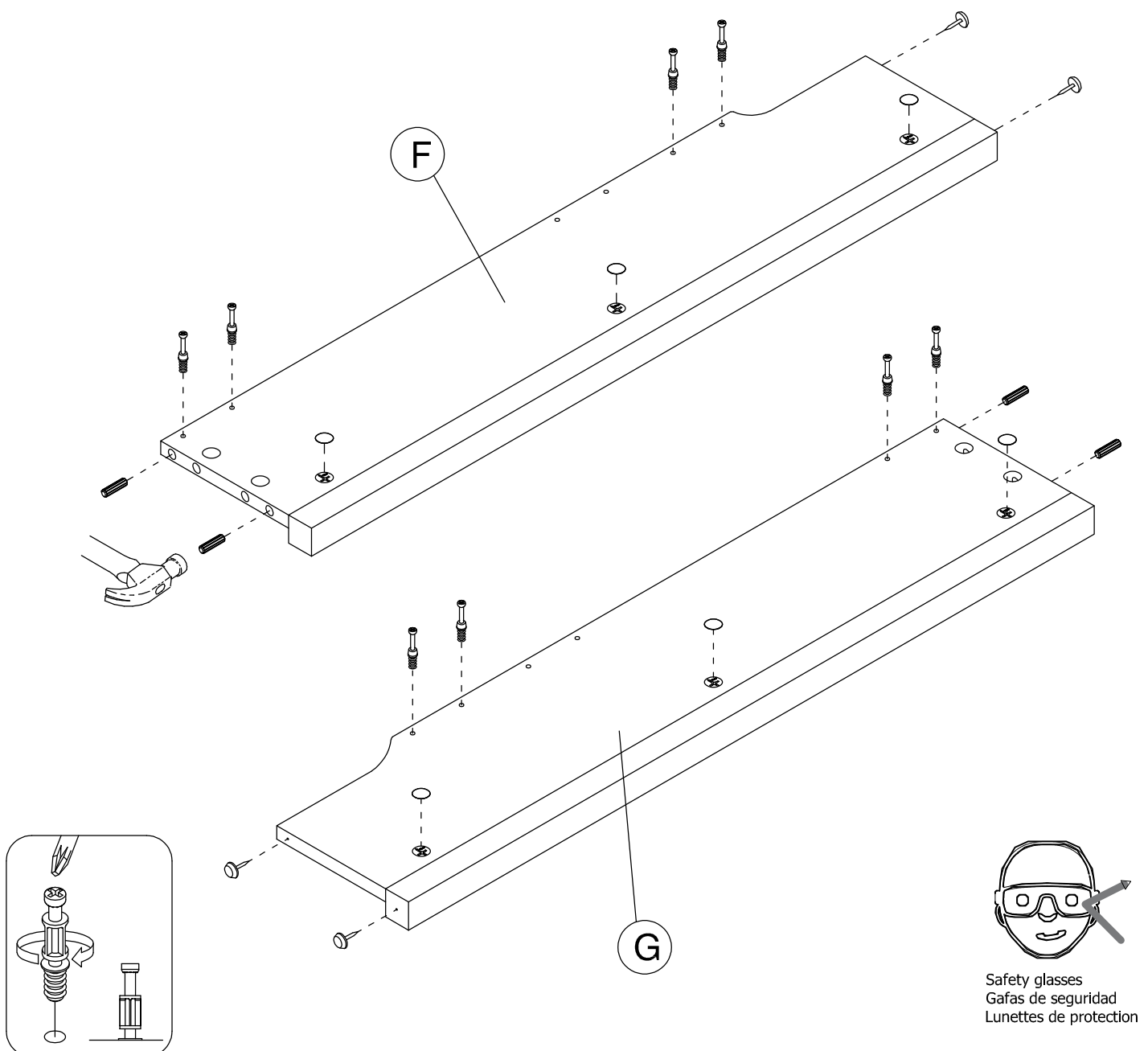
Wood Dowel  
8 x 30mm

H200021



[ 4 ]

Tack Glide



Have an assembly question or need a replacement part? Just call  
**1-800-950-4782**, we are here to help.

Safety glasses  
Gafas de seguridad  
Lunettes de protection



# STEP 10

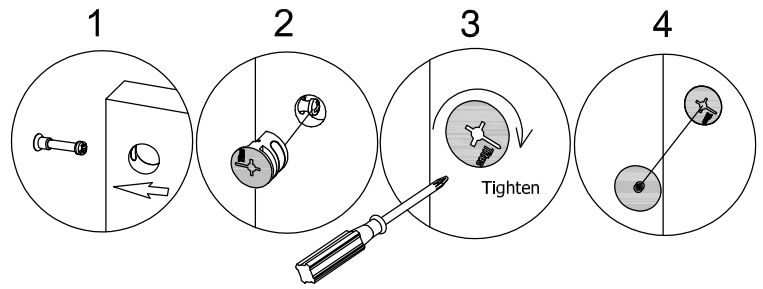
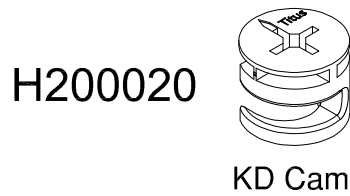
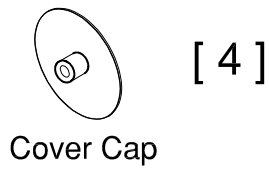
# Assemble Panels

A199328A

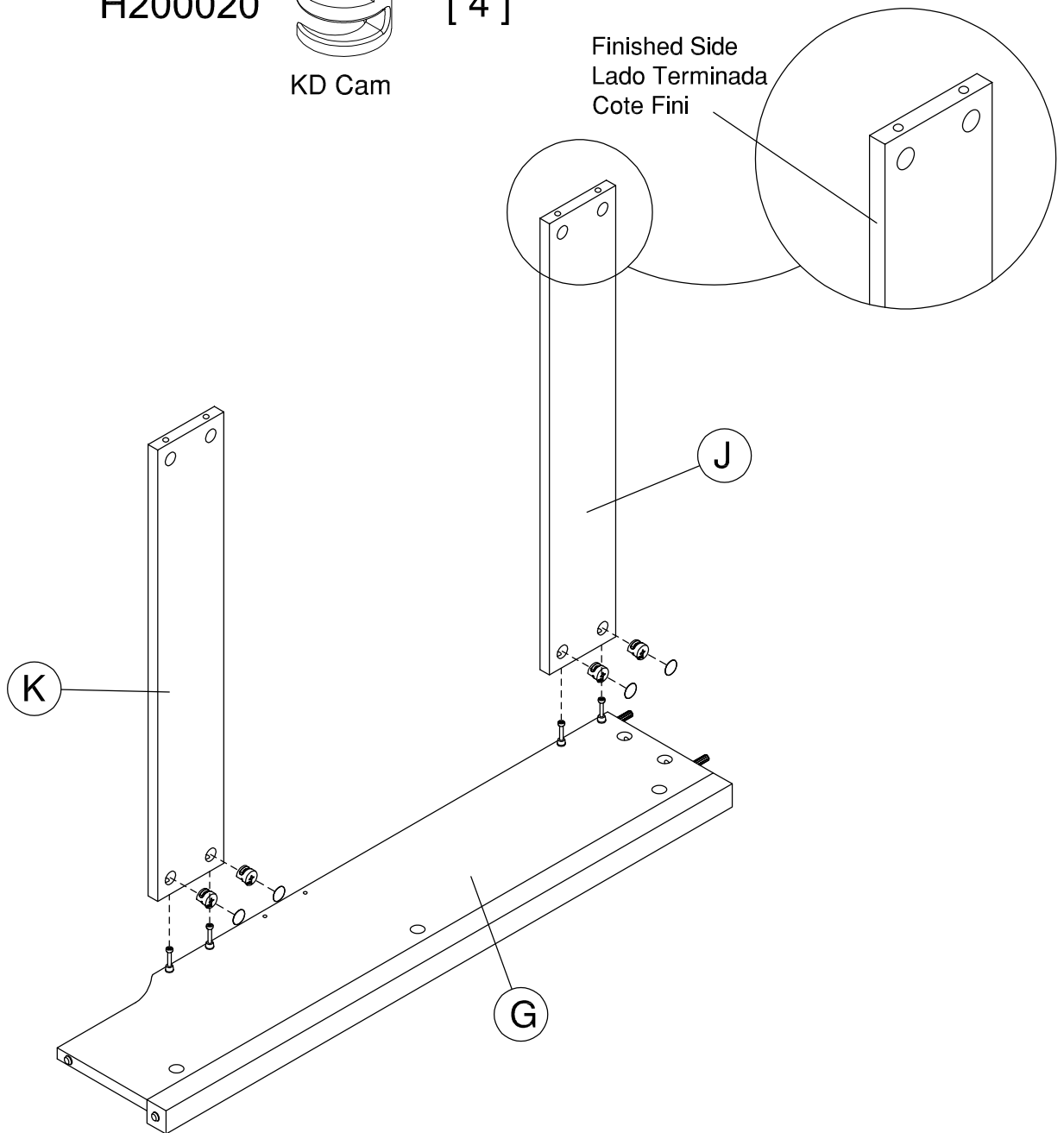
Scan QR Code to Watch Video on:



How to Tighten KD Cams



Finished Side  
Lado Terminada  
Cote Fini



Have an assembly question or need a replacement part? Just call **1-800-950-4782**, we are here to help.

# STEP 11

## Assemble Panels

A199328A

Scan QR Code to Watch Video on:

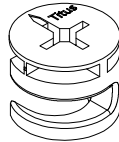


How to Tighten KD Cams

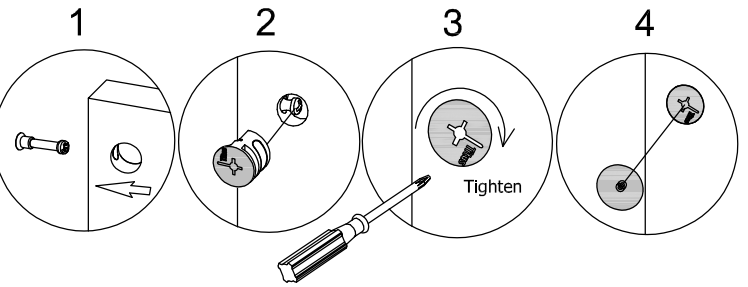


[ 4 ]

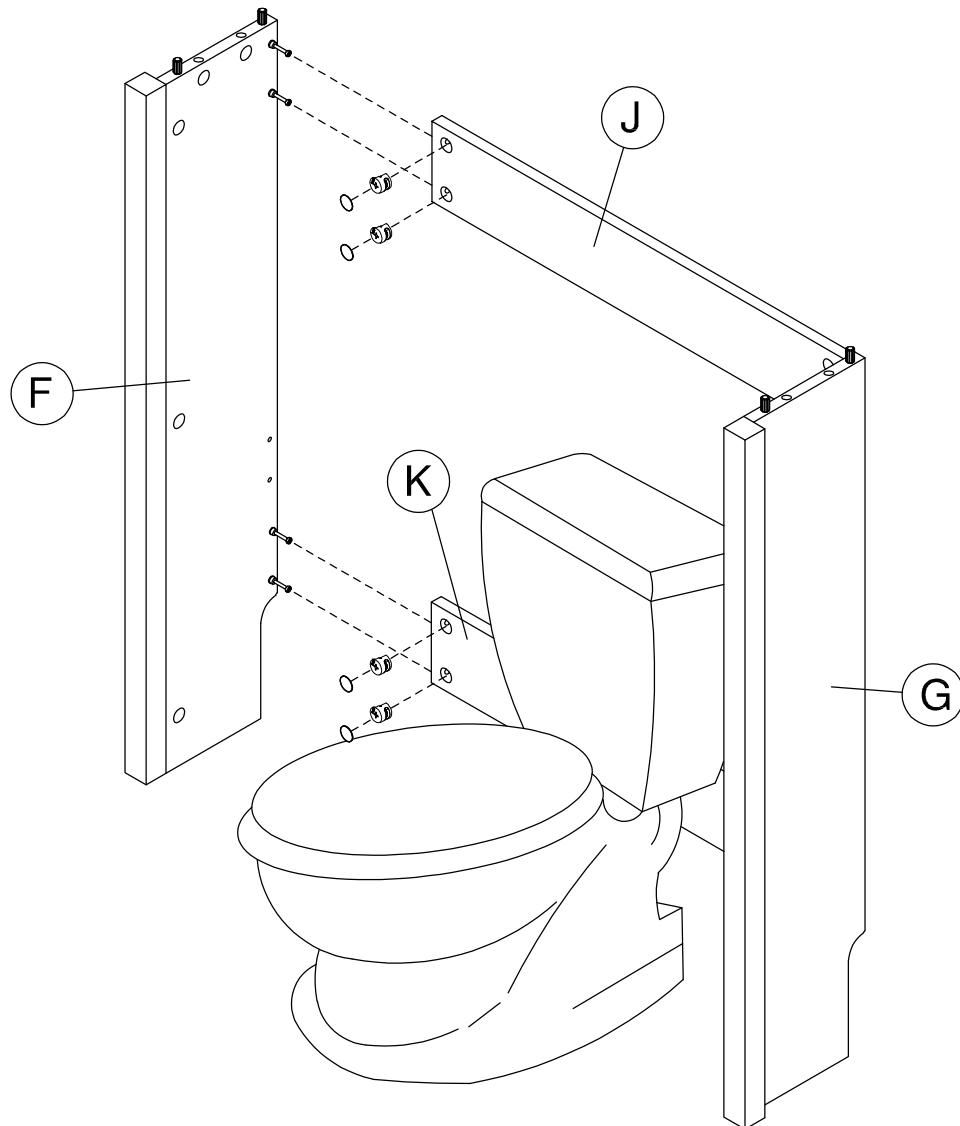
H200020



KD Cam



[ 4 ]



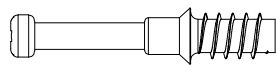
Have an assembly question or need a replacement part? Just call  
**1-800-950-4782**, we are here to help.

# STEP 12

# Prepare Panels

A199328A

H180604



KD Bolt

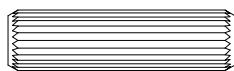
[ 4 ]



[ 6 ]

Cover Cap

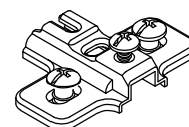
H38169



Wood Dowel  
8 x 30mm

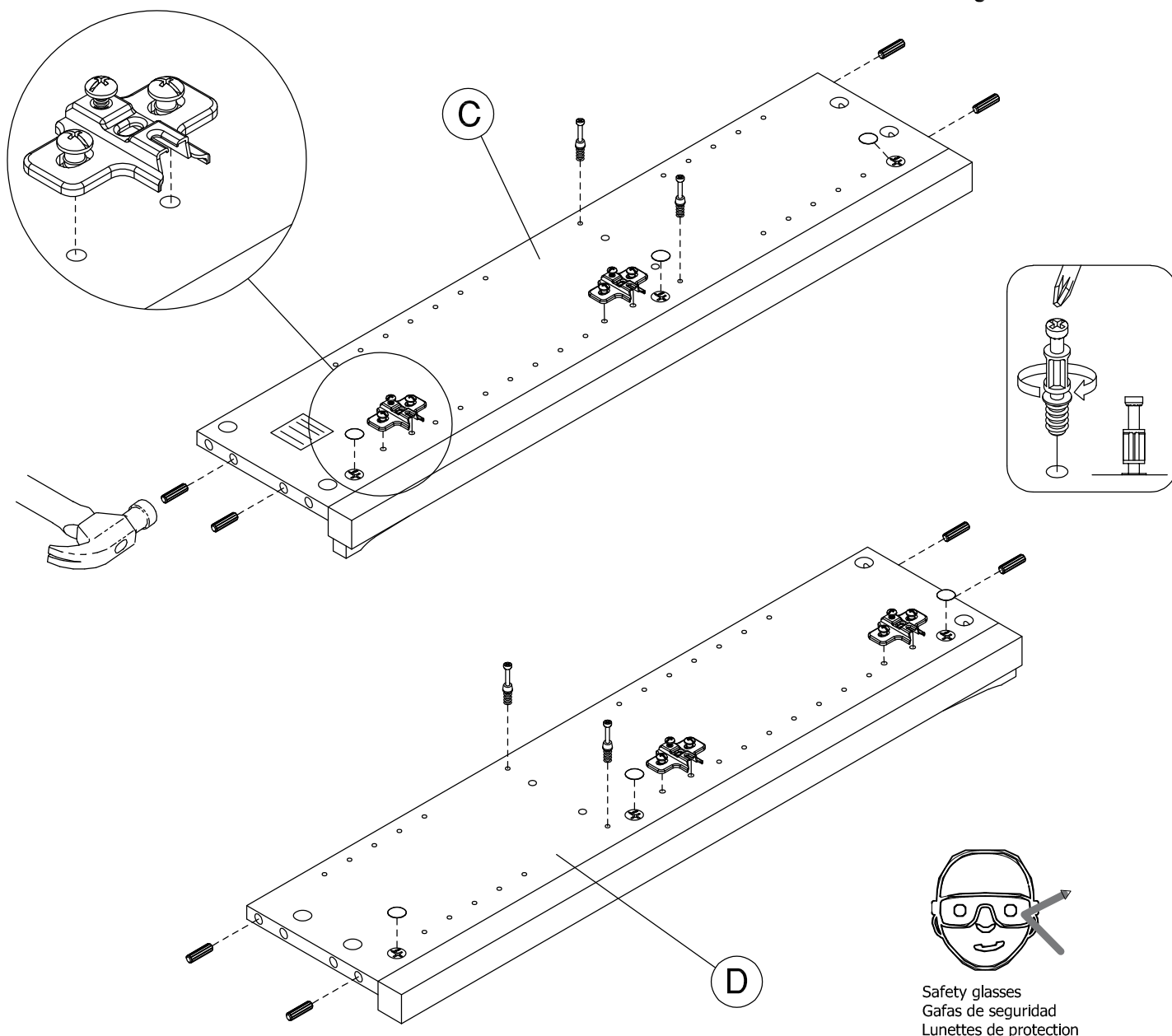
[ 8 ]

H170612



[ 4 ]

Mounting Plate



Have an assembly question or need a replacement part? Just call  
**1-800-950-4782**, we are here to help.

# STEP 13

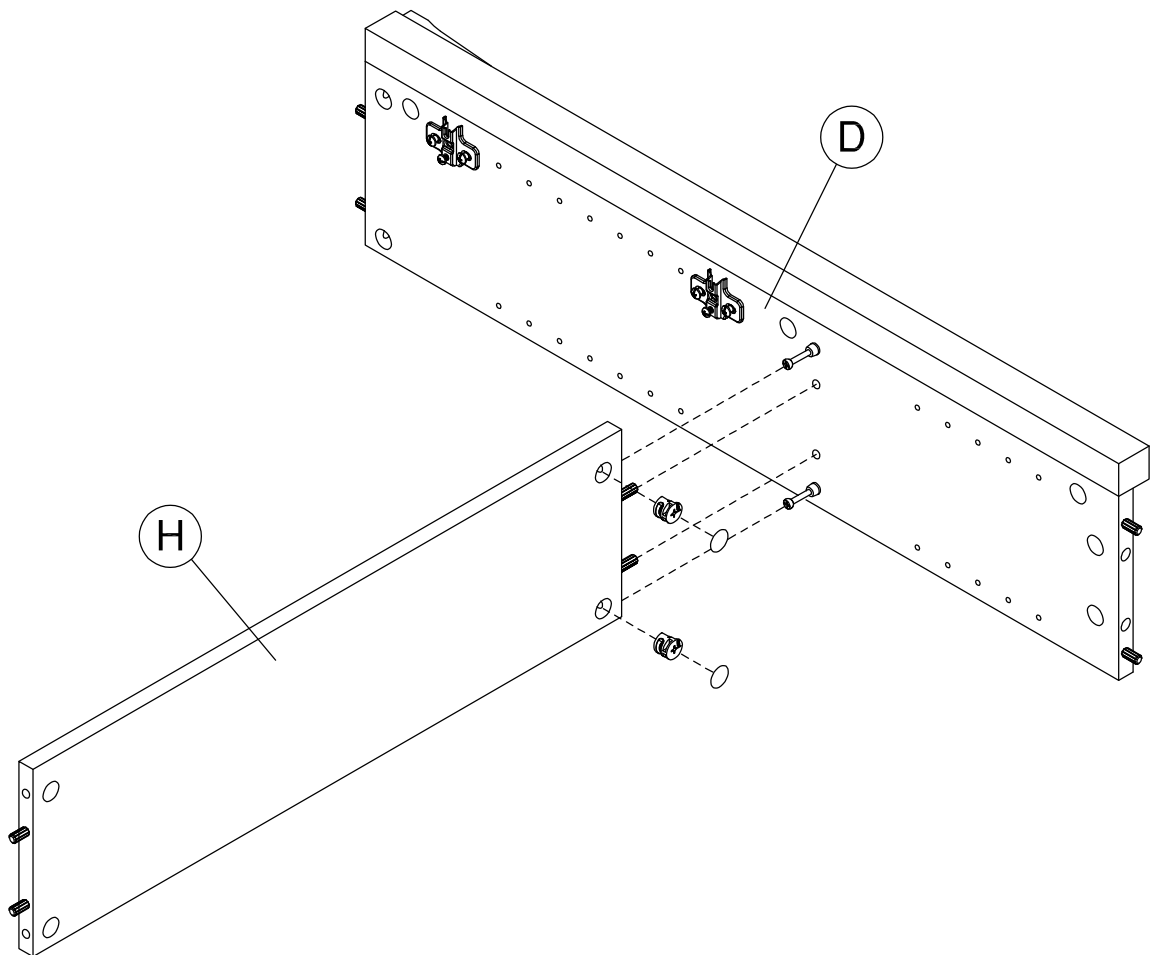
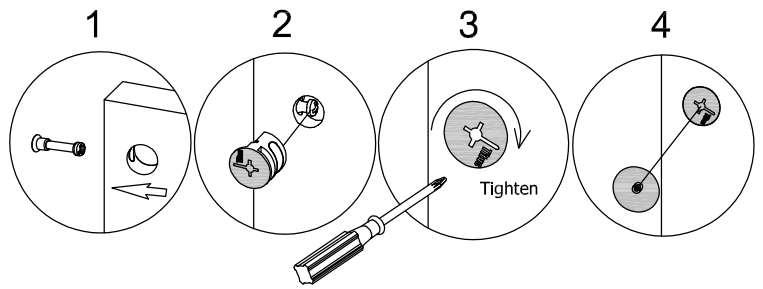
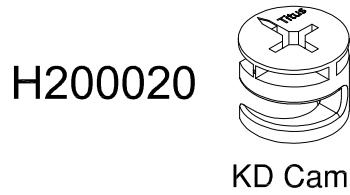
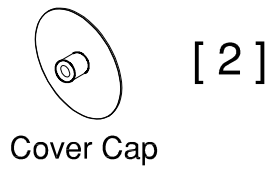
# Assemble Panels

A199328A

Scan QR Code to Watch Video on:



How to Tighten KD Cams



Have an assembly question or need a replacement part? Just call **1-800-950-4782**, we are here to help.

# STEP 14

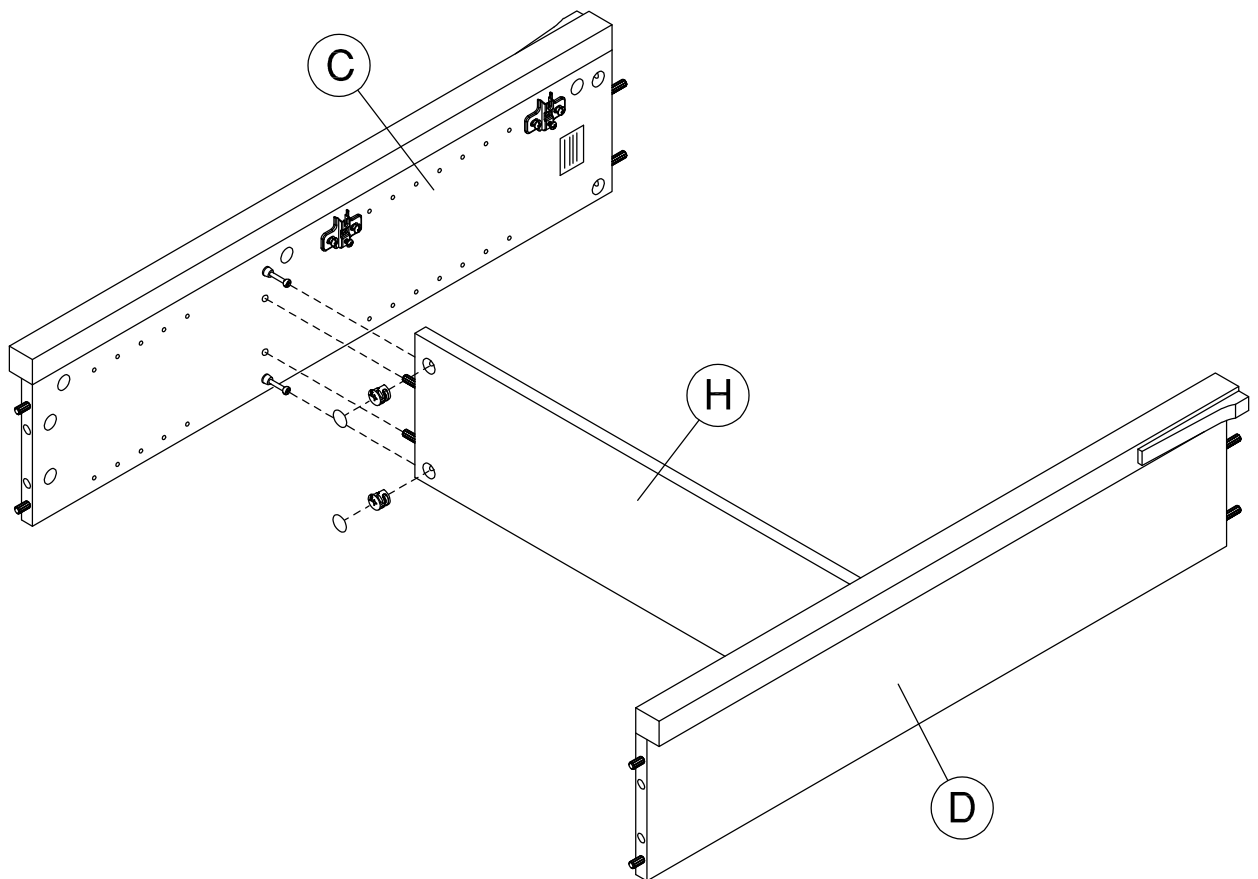
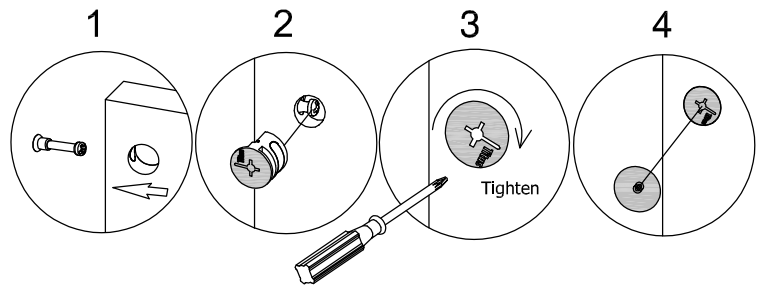
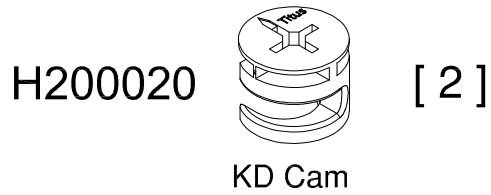
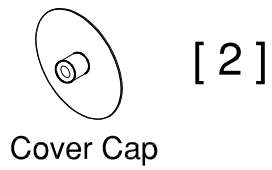
# Assemble Panels

A199328A

Scan QR Code to Watch Video on:



How to Tighten KD Cams



Have an assembly question or need a replacement part? Just call  
**1-800-950-4782**, we are here to help.

# STEP 15

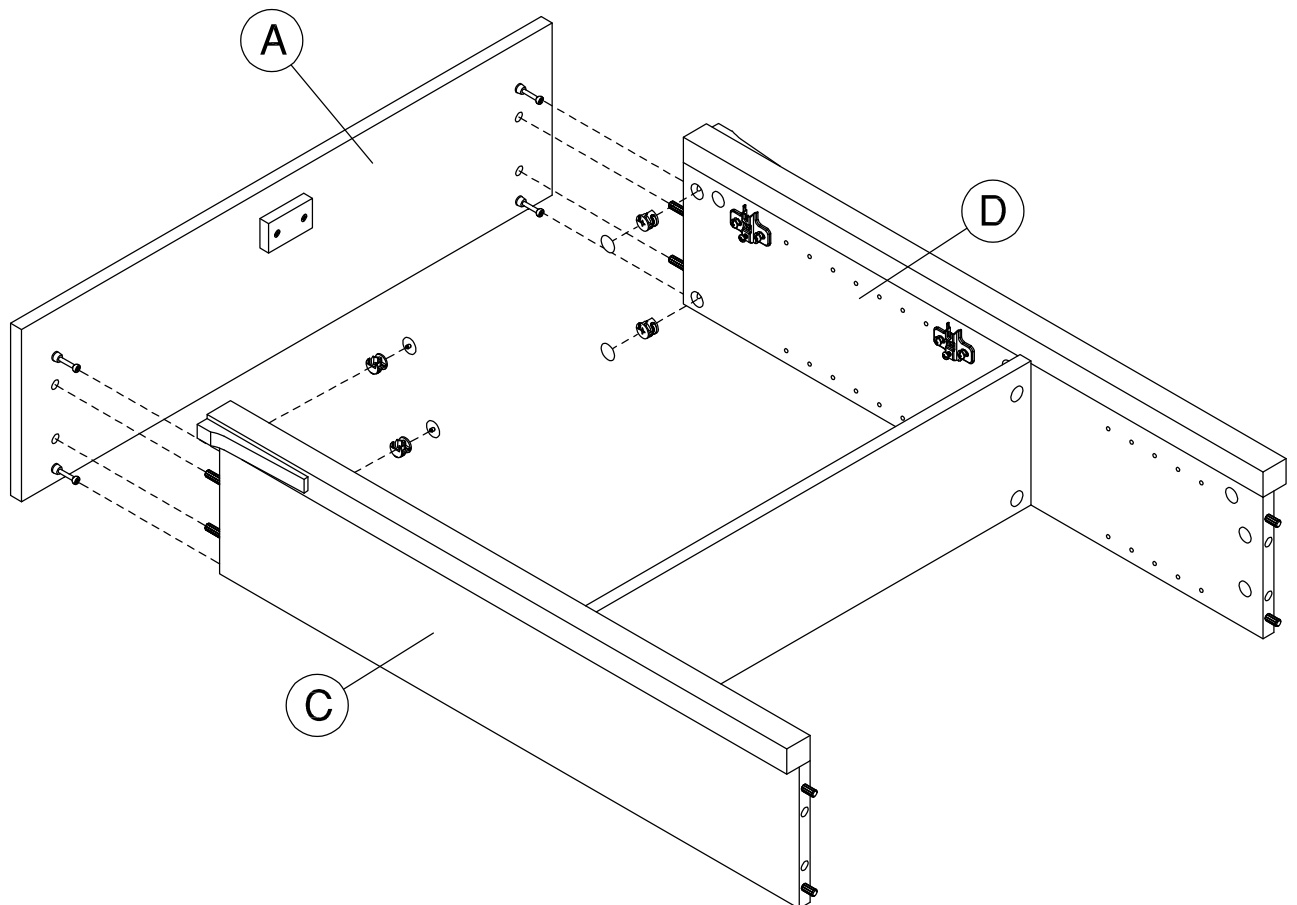
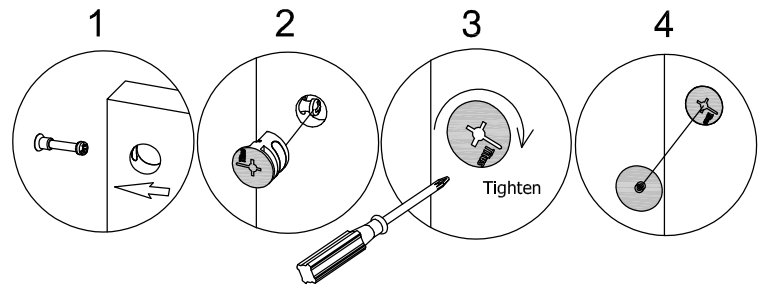
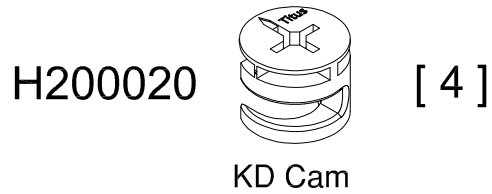
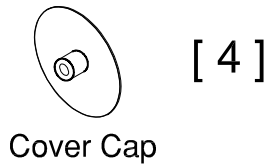
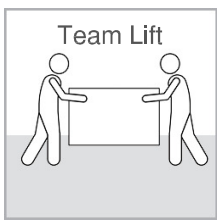
# Assemble Panels

A199328A

Scan QR Code to Watch Video on:



How to Tighten KD Cams



Have an assembly question or need a replacement part? Just call  
**1-800-950-4782**, we are here to help.

# STEP 16

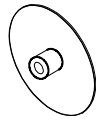
# Assemble Panels

A199328A

Scan QR Code to Watch Video on:



How to Tighten KD Cams



Cover Cap

[ 4 ]

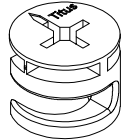
H200034



Connector Fix 2 Head 64mm

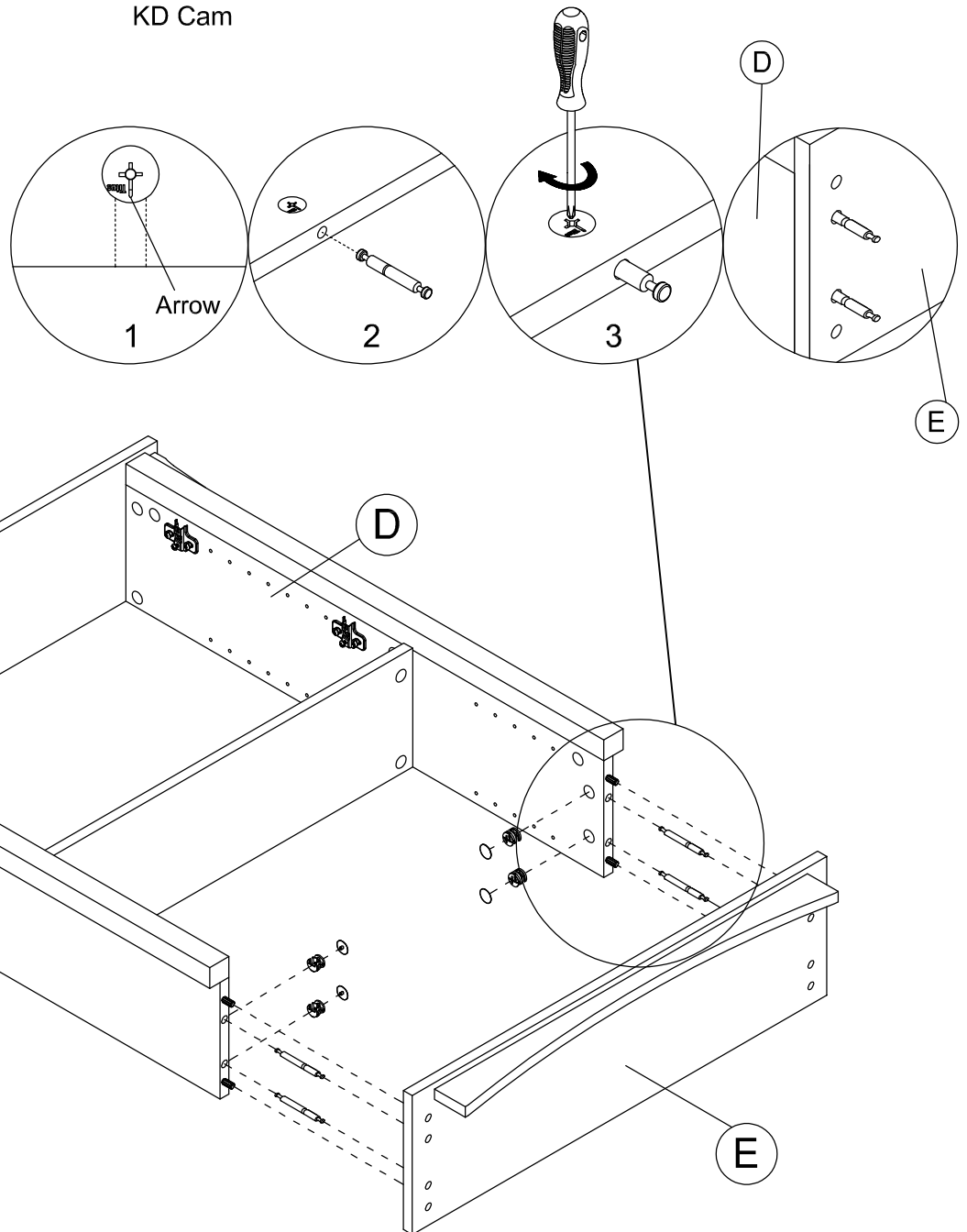
[ 4 ]

H200020



KD Cam

[ 4 ]

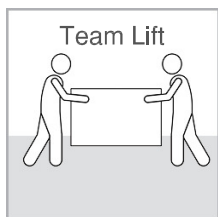


Have an assembly question or need a replacement part? Just call  
**1-800-950-4782**, we are here to help.

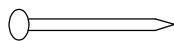
# STEP 17

## Attach Back Panel

A199328A



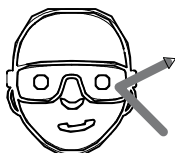
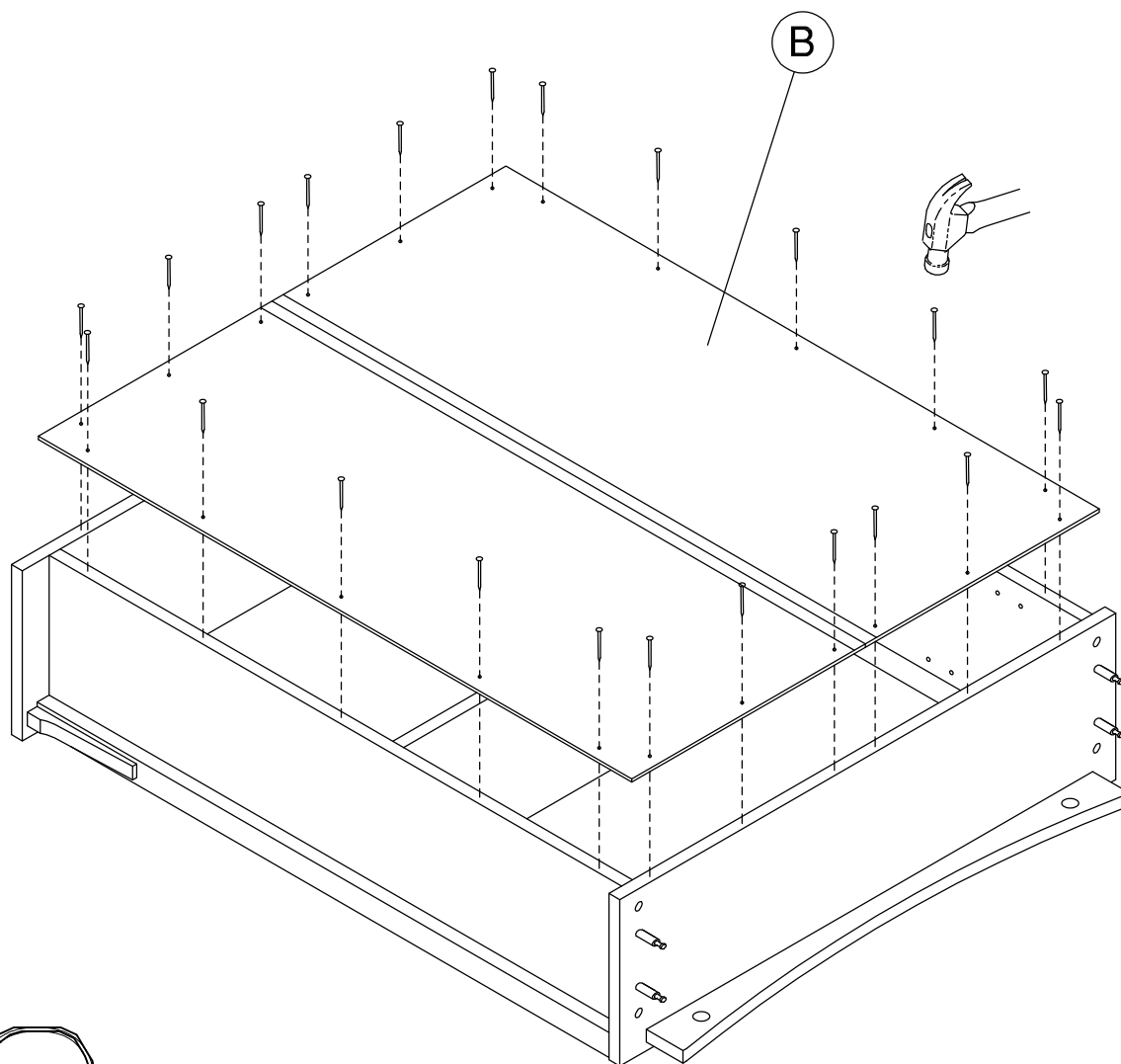
H200011



Nail

[ 22 ]

**Center the back panel so that the back panel does not stick out past the edge of the unit.**  
Centrez le panneau arrière de manière à ce qu'il ne reste pas au-delà du bord de l'appareil.  
Centre el panel posterior de modo que el panel posterior no se pegue más allá del borde de la unidad.



Safety glasses  
Gafas de seguridad  
Lunettes de protection

Have an assembly question or need a replacement part? Just call  
**1-800-950-4782**, we are here to help.



# STEP 18

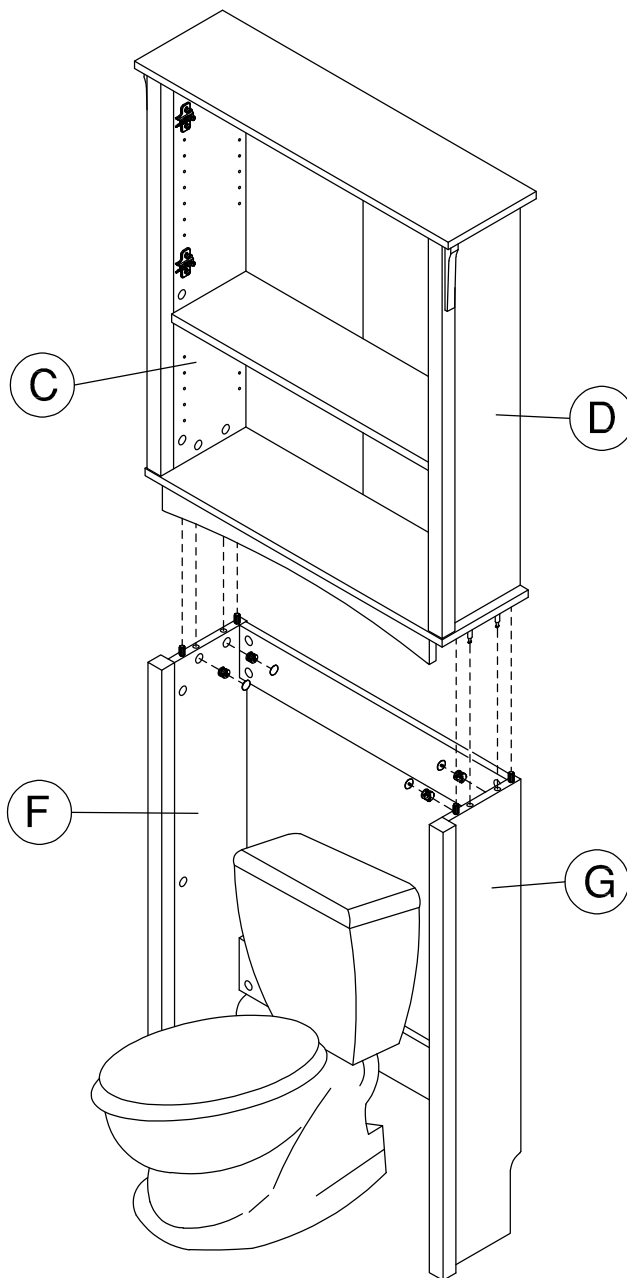
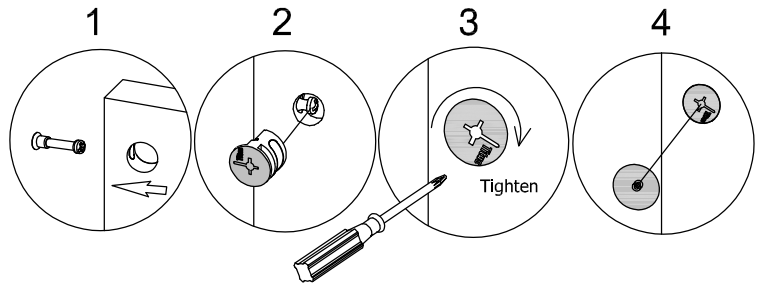
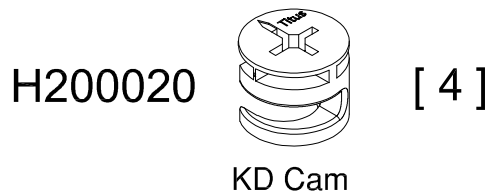
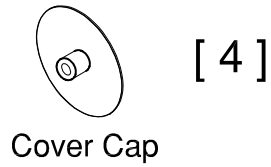
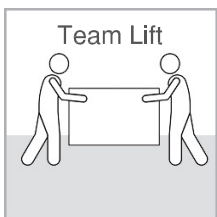
# Assemble Panels

A199328A

Scan QR Code to Watch Video on:



How to Tighten KD Cams



Have an assembly question or need a replacement part? Just call **1-800-950-4782**, we are here to help.

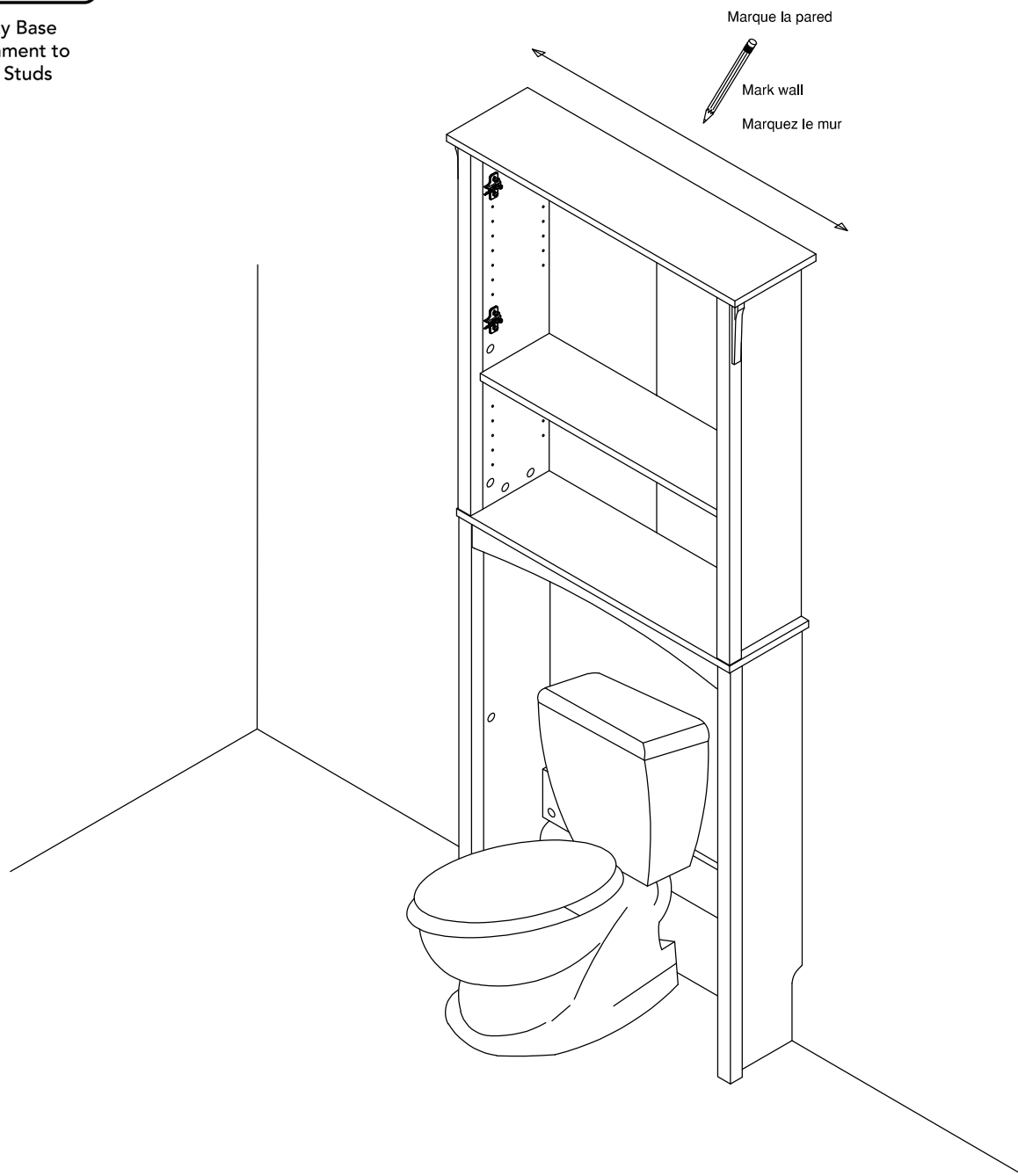
Scan QR Code to  
Watch Video on:



Vanity Base  
Attachment to  
Wall Studs

Secure unit to wall studs. Unit intended for attachment against drywall. Consult your installation professional for installation against walls NOT made from drywall.

- 1.) Place unit in desired location against wall.
- 2.) Check level of unit and shim as required to achieve level top.
- 3.) Mark top edge of unit with pencil.



Have an assembly question or need a replacement part? Just call  
**1-800-950-4782**, we are here to help.

NOTE: There may be plumbing or electrical lines in the walls of residential dwellings. Care must be taken when drilling into walls. If you are not confident in your installation abilities, please consult an installation professional.

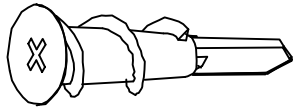
1. Mark hole locations with pencil.

2. At marked locations, drill (4) 1/8" (3mm) holes just through hollow wall 1/2 to 3/4" (12-19mm) deep or 2" (50mm) deep if wood stud is encountered.

3. Make note on diagram below if a wall stud is encountered during this step. Hollow wall anchor H200009 must be installed into any hole where stud was not encountered (see step 20). There may be situations where both hollow wall anchors and long-screw stud anchors are used.

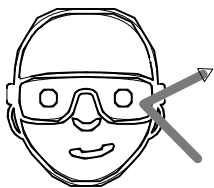
4. Install Wall Anchor H200009 into holes where wall stud was not found.

H200009

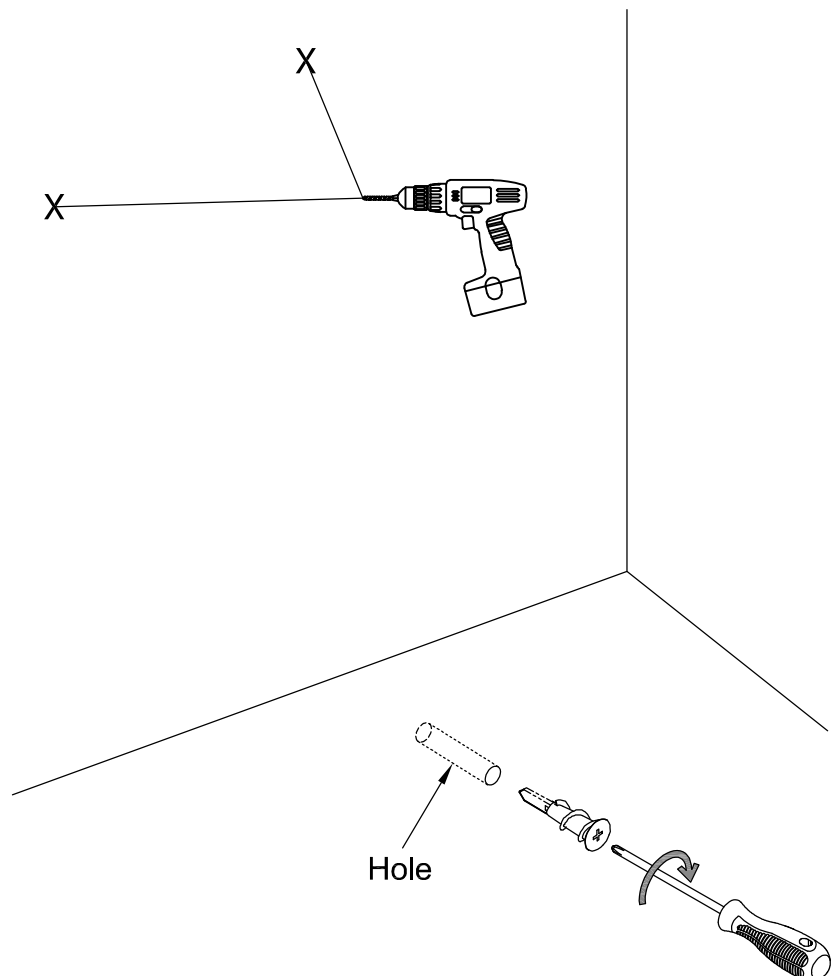


[ 2 ]

Wall Anchor



Safety glasses  
Gafas de seguridad  
Lunettes de protection

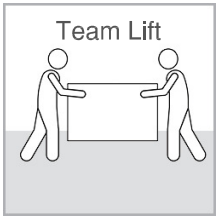


Have an assembly question or need a replacement part? Just call  
**1-800-950-4782**, we are here to help.

# STEP 21

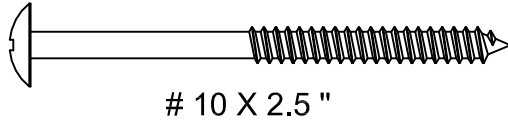
# Attach to Wall

A199328A



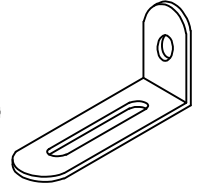
1. With assistant align unit with pencil marks from step 18 and drilled wall holes or wall anchors.
2. Using diagram from step 19, choose screw H194287 for holes into wall studs and screw H200043 for attachment to Wall Anchor.

H194287



[ 2 ]

H191090



[ 2 ]

Wall Anchor

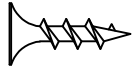
H200043



[ 2 ]

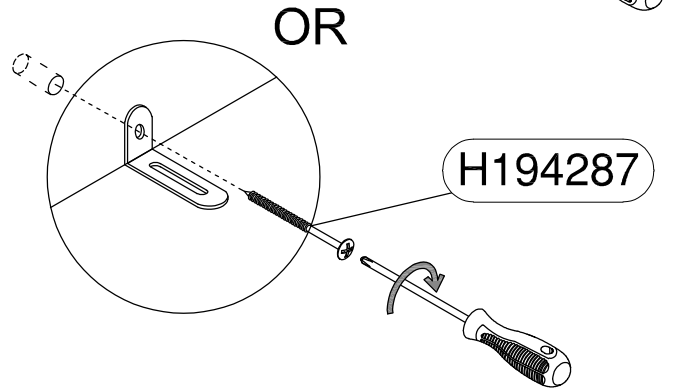
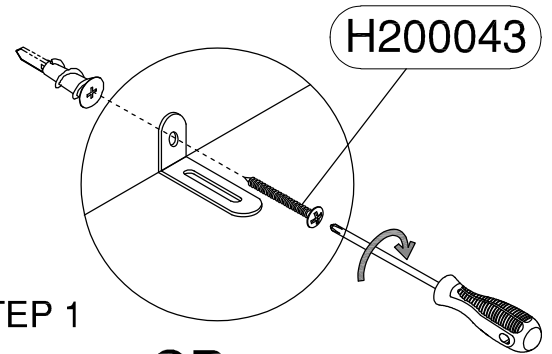
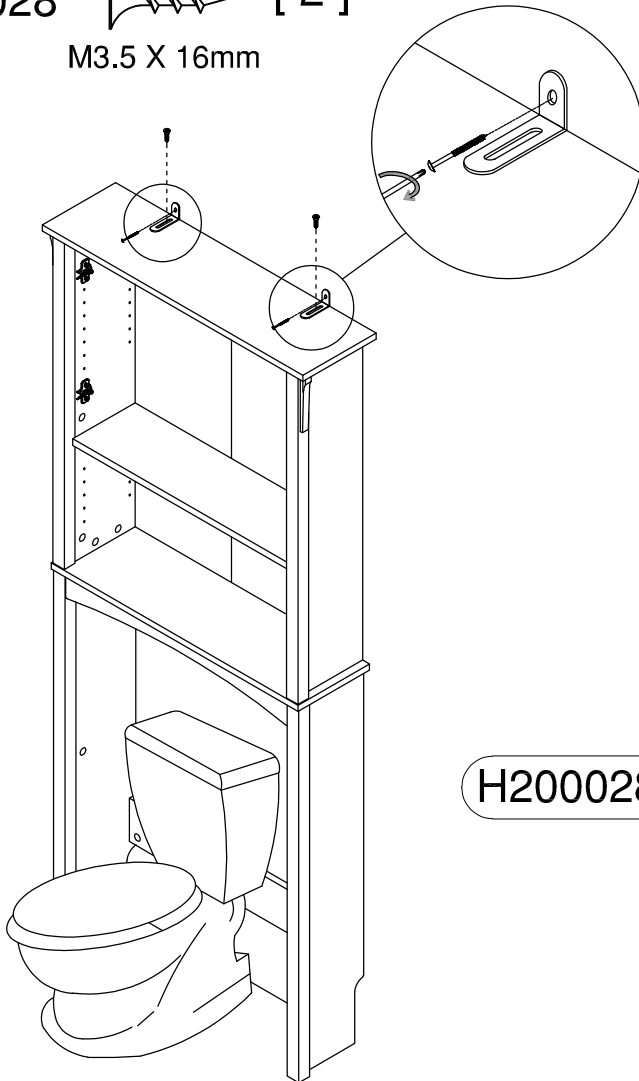
M4 X 38mm

H200028



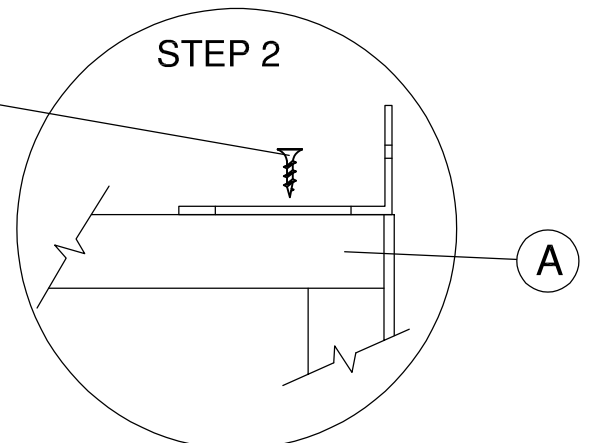
[ 2 ]

M3.5 X 16mm



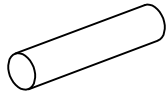
H200028

STEP 2



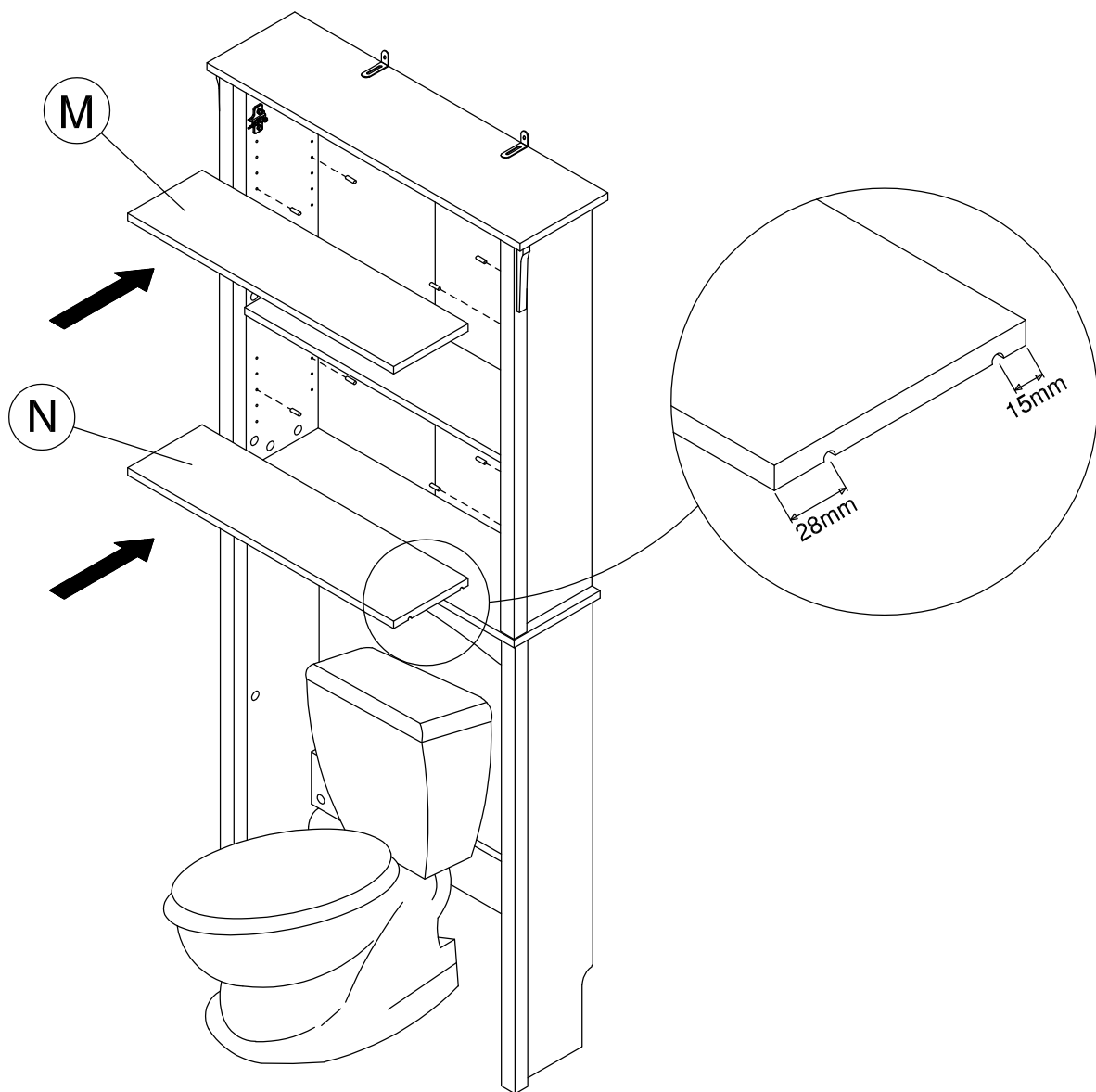
Have an assembly question or need a replacement part? Just call **1-800-950-4782**, we are here to help.

H23604



[ 8 ]

Shelf Pin  
1" x 3/16"

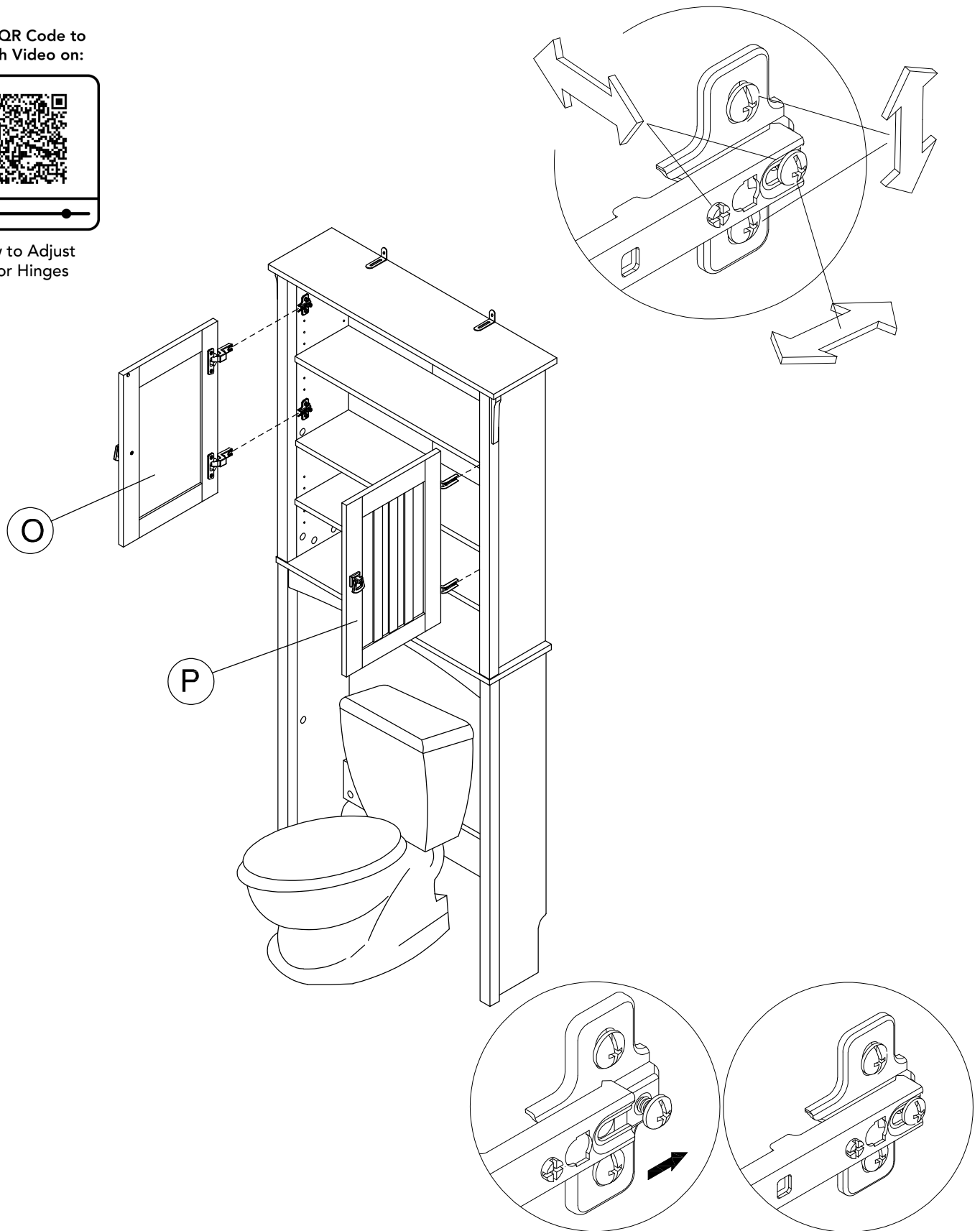


Have an assembly question or need a replacement part? Just call  
**1-800-950-4782**, we are here to help.

Scan QR Code to Watch Video on:



How to Adjust Door Hinges



Have an assembly question or need a replacement part? Just call **1-800-950-4782**, we are here to help.

Scan QR Code to Watch Video on:



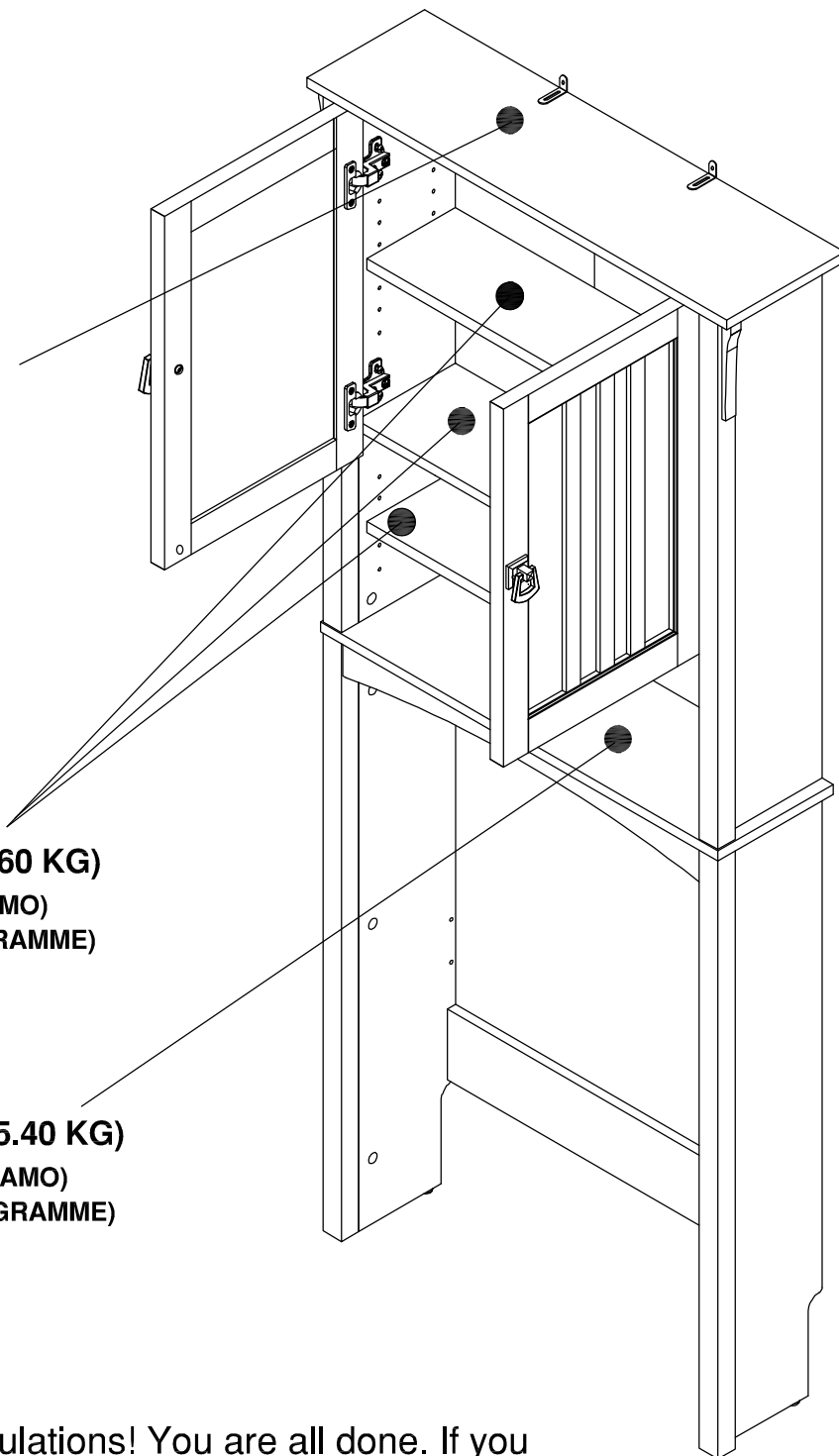
How to Clean the Surface

Gently clean surfaces with a damp sponge eraser.

**MAXIMUM WEIGHT: 0 IBS (0 KG)**  
**PESO MÁXIMO: 0 IBS (0 KILOGRAMO)**  
**POIDS MAXIMUM: 0 IBS (0 KILOGRAMME)**

**MAXIMUM WEIGHT: 8.00 IBS (3.60 KG)**  
**PESO MÁXIMO: 8.00 IBS (3.60 KILOGRAMO)**  
**POIDS MAXIMUM: 8.00 IBS (3.60 KILOGRAMME)**

**MAXIMUM WEIGHT: 12.00 IBS (5.40 KG)**  
**PESO MÁXIMO: 12.00 IBS (5.40 KILOGRAMO)**  
**POIDS MAXIMUM: 12.00 IBS (5.40 KILOGRAMME)**



Congratulations! You are all done. If you have any questions or concerns, please call.

Have an assembly question or need a replacement part? Just call **1-800-950-4782**, we are here to help.

**SAS268LW**

A	[ 1 ]	W 199665	I	[ 1 ]	W 199673
B	[ 1 ]	S 199666	J	[ 1 ]	W 199674
C	[ 1 ]	S 199667	K	[ 1 ]	W 199675
D	[ 1 ]	S 199668	L	[ 1 ]	W 199681
E	[ 1 ]	W 199669	M	[ 1 ]	W 199676
F	[ 1 ]	S 199670	N	[ 1 ]	W 199677
G	[ 1 ]	S 199671	O	[ 1 ]	S 199679
H	[ 1 ]	W 199672	P	[ 1 ]	S 199680

H200077



Cover Cap

[ 38 ]

**SAS268CG**

A	[ 1 ]	W 199682	I	[ 1 ]	W 199690
B	[ 1 ]	S 199683	J	[ 1 ]	W 199691
C	[ 1 ]	S 199684	K	[ 1 ]	W 199692
D	[ 1 ]	S 199685	L	[ 1 ]	W 199698
E	[ 1 ]	W 199686	M	[ 1 ]	W 199693
F	[ 1 ]	S 199687	N	[ 1 ]	W 199678
G	[ 1 ]	S 199688	O	[ 1 ]	S 199696
H	[ 1 ]	W 199689	P	[ 1 ]	S 199697

H200076



Cover Cap

[ 38 ]

Have an assembly question or need a replacement part? Just call  
**1-800-950-4782**, we are here to help.



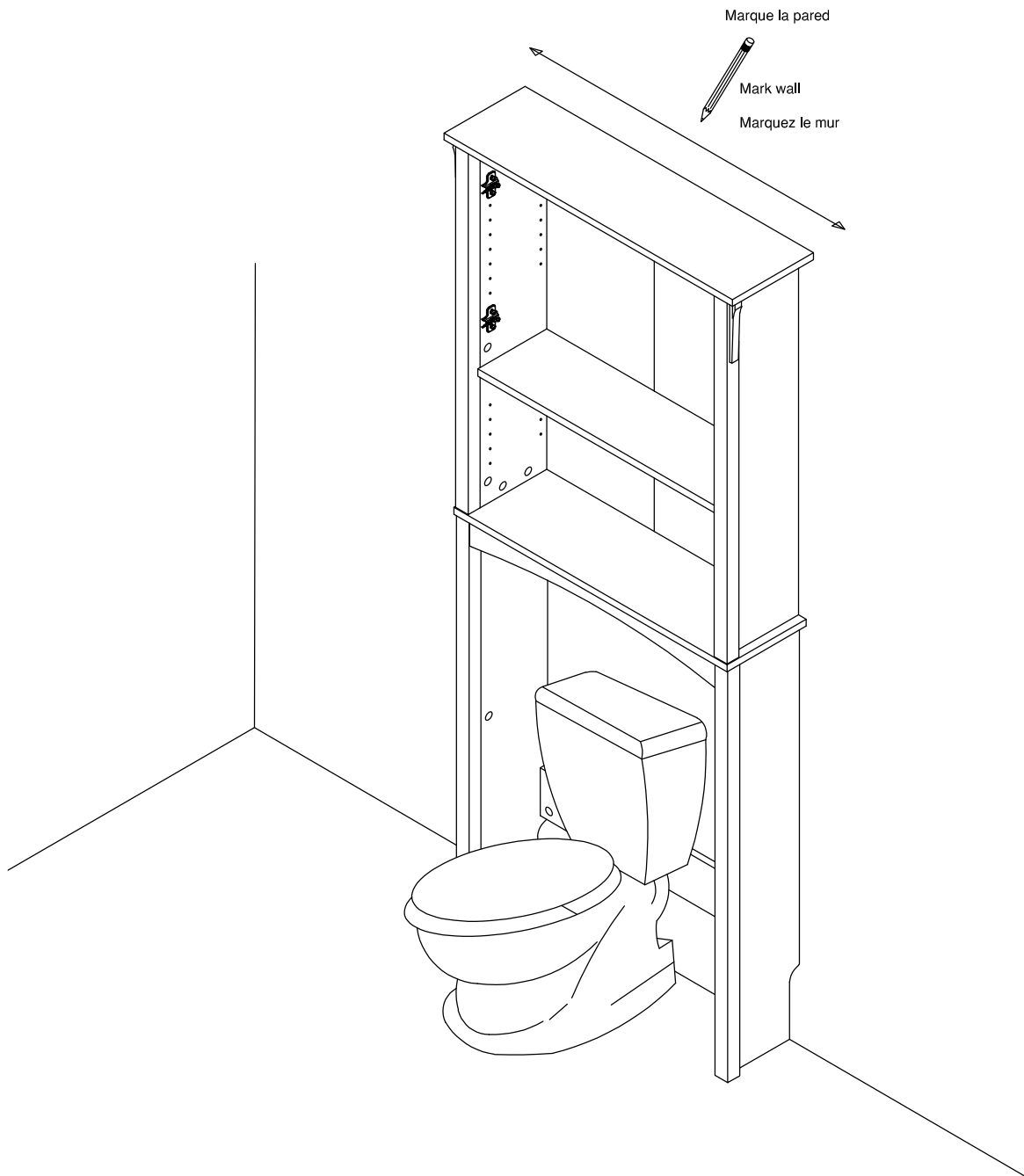
Scan QR Code to  
Watch Video on:



Vanity Base  
Attachment to  
Wall Studs

Asegure la unidad a los montantes de la pared. Unidad destinada a fijación contra paneles de yeso. Consulte a su instalador para la instalación contra paredes que NO estén hechas de paneles de yeso.

- 1.) Coloque la unidad en la ubicación deseada contra la pared.
- 2.) Verifique el nivel de la unidad y calce según sea necesario para alcanzar el nivel superior.
- 3.) Marque el borde superior de la unidad con un lápiz.

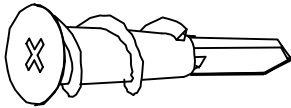


Have an assembly question or need a replacement part? Just call  
**1-800-950-4782**, we are here to help.

NOTA: Puede haber tuberías o líneas eléctricas en las paredes de las viviendas residenciales. Se debe tener cuidado al perforar paredes. Si no está seguro de sus capacidades de instalación, consulte a un instalador profesional.

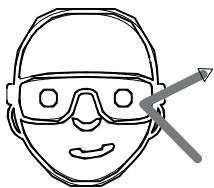
1. Marque la ubicación de los agujeros con un lápiz.
2. En las ubicaciones marcadas, taladre (4) orificios de 1/8 "(3 mm) justo a través de la pared hueca de 1/2 a 3/4" (12-19 mm) de profundidad o 2 "(50 mm) de profundidad si se encuentran montantes de madera.
3. Tome nota en el diagrama a continuación si se encuentra un montante de pared durante este paso. El anclaje de pared hueca H200009 debe instalarse en cualquier agujero donde no se encuentre el montante (consulte el paso 20). Puede haber situaciones en las que se utilicen tanto anclajes de pared huecos como anclajes de perno de tornillo largo.
4. Instale el anclaje de pared H200009 en los orificios donde no se encontró el montante de pared.

H200009

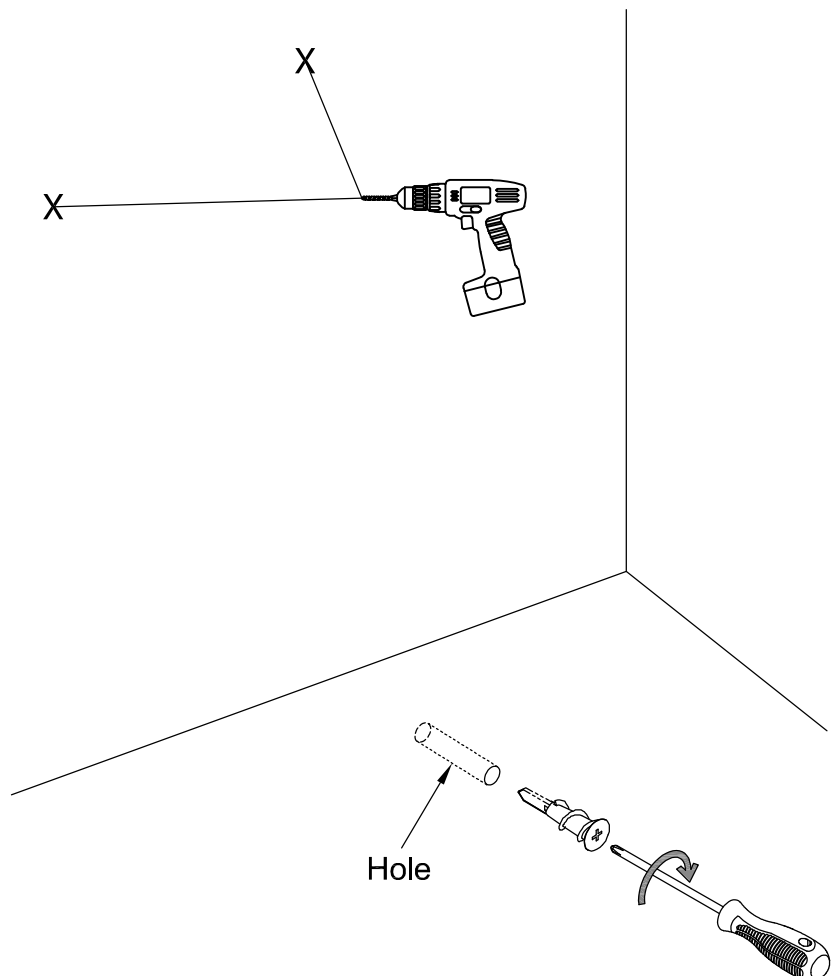


[ 2 ]

Wall Anchor



Safety glasses  
Gafas de seguridad  
Lunettes de protection

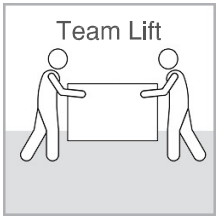


Have an assembly question or need a replacement part? Just call  
**1-800-950-4782**, we are here to help.

# STEP 21 SP

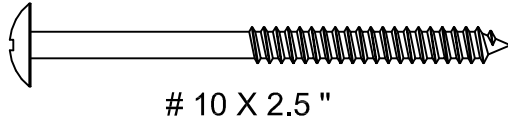
# Attach to Wall

A199328A



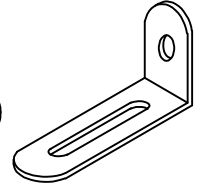
1. Con el asistente, alinee la unidad con las marcas de lápiz del paso 18 y taladre orificios o anclajes de pared.
2. Usando el diagrama del paso 19, elija el tornillo H194287 para los agujeros en los montantes de la pared y el tornillo H200043 para fijarlo al anclaje de la pared.

H194287



[ 2 ]

H191090



[ 2 ]

Wall Anchor

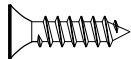
H200043



[ 2 ]

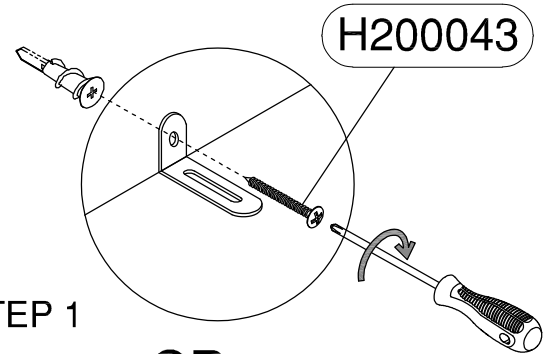
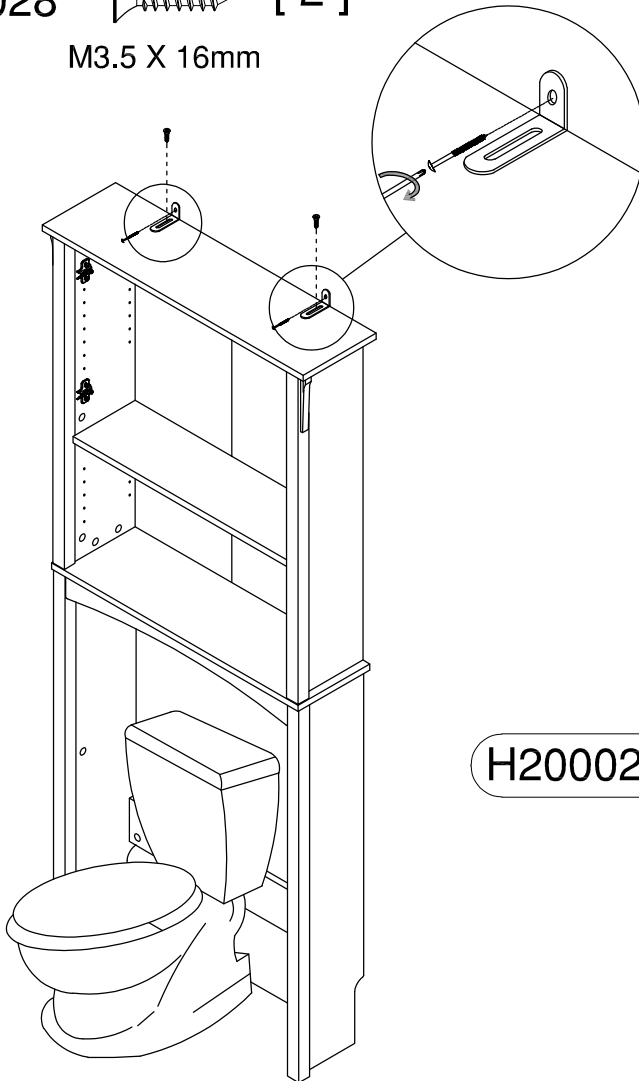
M4 X 38mm

H200028

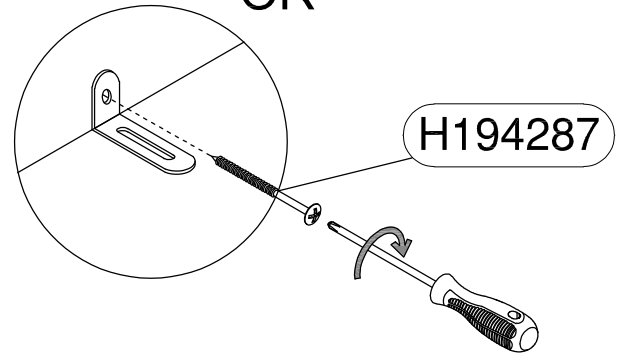


[ 2 ]

M3.5 X 16mm

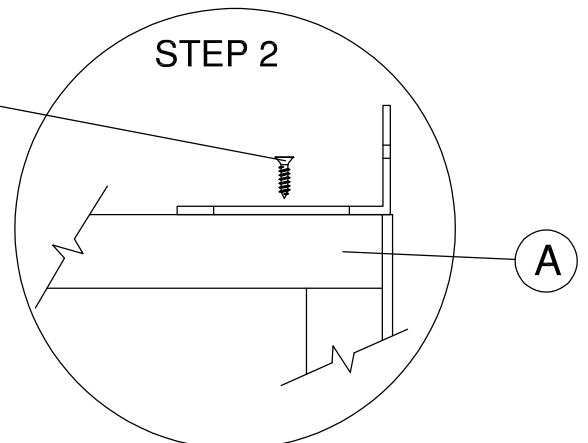


OR



H200028

STEP 2



Have an assembly question or need a replacement part? Just call **1-800-950-4782**, we are here to help.

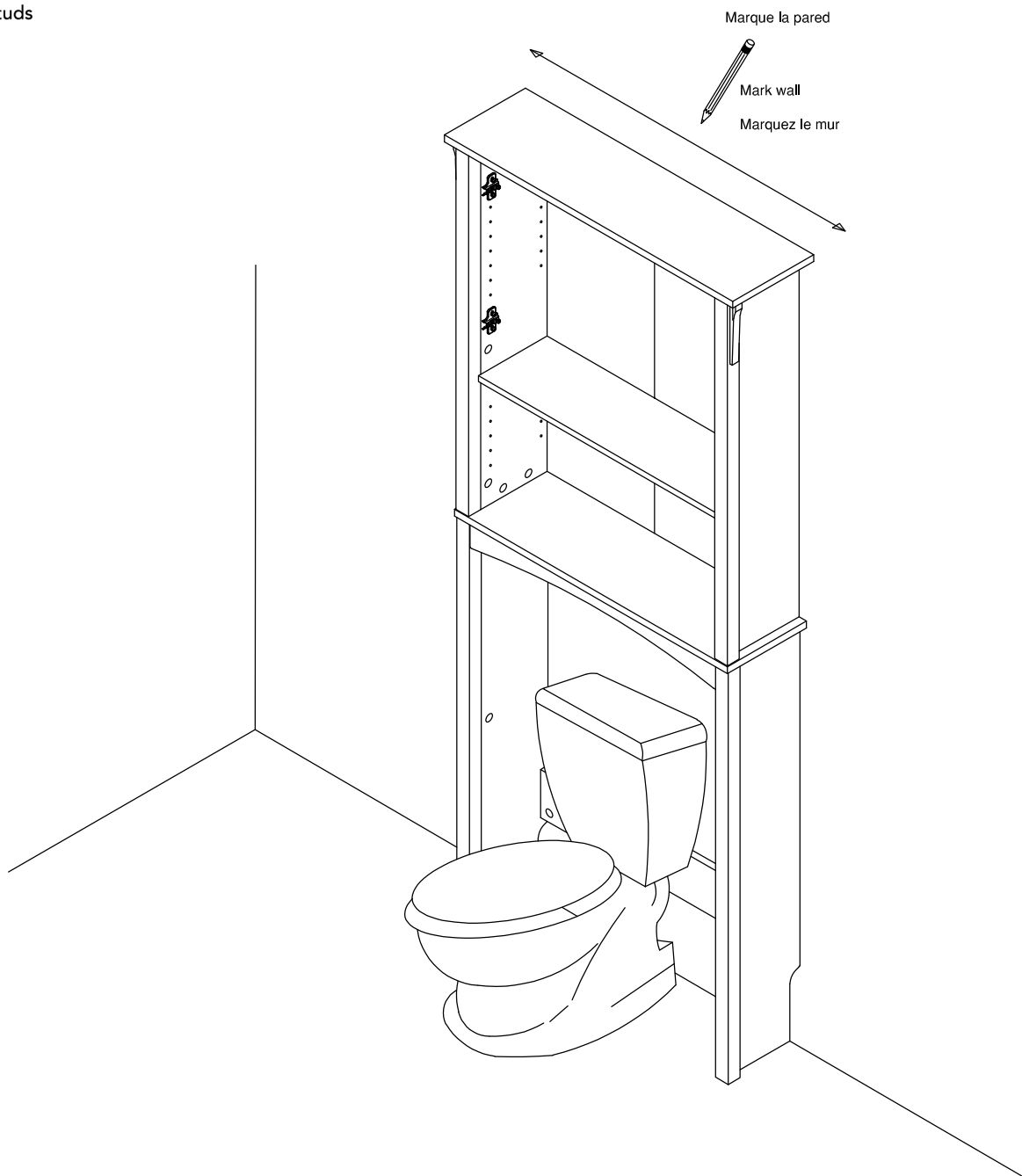
Scan QR Code to  
Watch Video on:



Vanity Base  
Attachment to  
Wall Studs

Fixez l'unité aux montants muraux. Unité destinée à être fixée contre des cloisons sèches. Consultez votre professionnel de l'installation pour l'installation contre des murs NON en cloison sèche.

- 1.) Placez l'unité à l'emplacement souhaité contre le mur.
- 2.) Vérifiez le niveau de l'unité et calez si nécessaire pour atteindre le niveau supérieur.
- 3.) Marquer le bord supérieur de l'unité avec un crayon.



Have an assembly question or need a replacement part? Just call  
**1-800-950-4782**, we are here to help.

REMARQUE: Il peut y avoir de la plomberie ou des lignes électriques dans les murs des habitations. Des précautions doivent être prises lors du forage dans les murs. Si vous n'êtes pas sûr de vos capacités d'installation, veuillez consulter un professionnel de l'installation.

1. marquez les emplacements des trous avec un crayon.

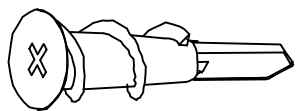
2. Aux emplacements marqués, percez (4) trous de 1/8 "(3 mm) juste à travers le mur creux de 1/2 à 3/4" (12-19 mm) de profondeur ou 2 "(50 mm) de profondeur si un montant de bois est rencontré.

3. Notez sur le diagramme ci-dessous si un montant mural est rencontré pendant cette étape.

L'ancrage pour mur creux H200009 doit être installé dans tout trou où aucun montant n'a été rencontré (voir l'étape 20). Il peut y avoir des situations où des ancrages pour murs creux et des chevilles à vis longues sont utilisés.

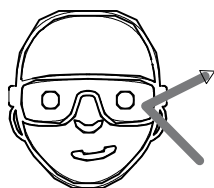
4. Installez l'ancrage mural H200009 dans les trous où le montant du mur n'a pas été trouvé.

H200009

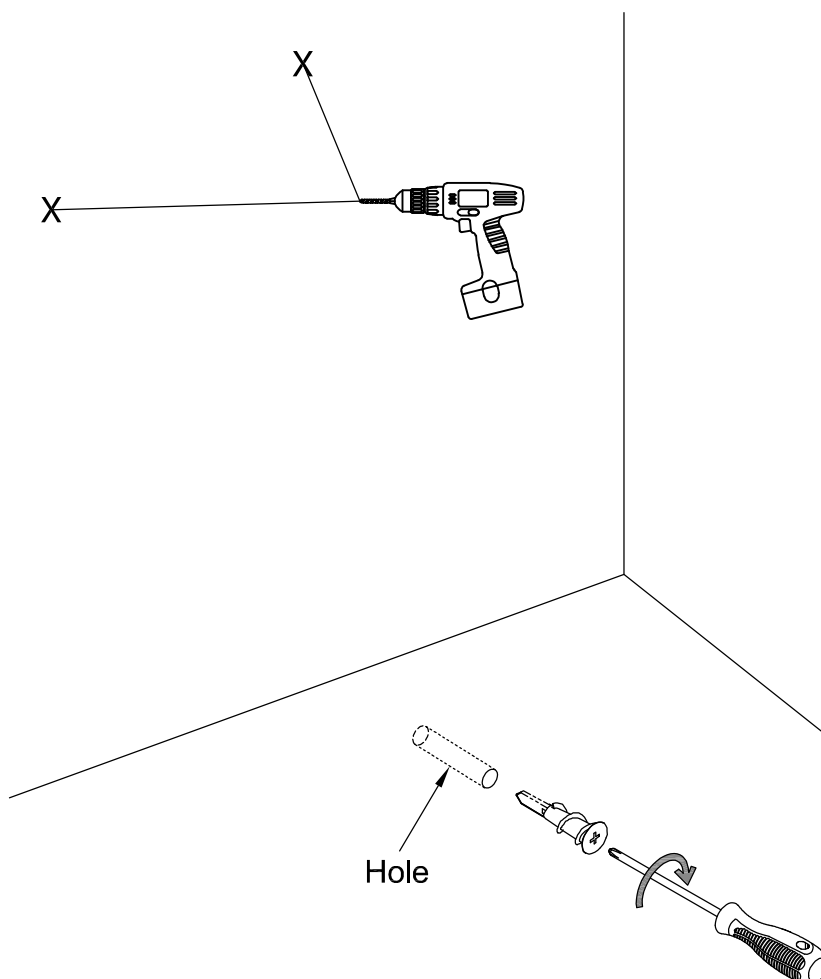


[ 2 ]

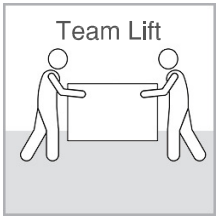
Wall Anchor



Safety glasses  
Gafas de seguridad  
Lunettes de protection

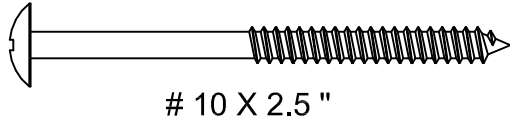


Have an assembly question or need a replacement part? Just call  
**1-800-950-4782**, we are here to help.



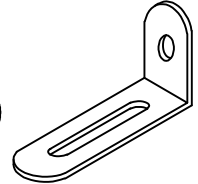
1. Avec l'assistant, alignez l'unité avec les marques de crayon de l'étape 18 et les trous ou les ancrages muraux percés.
2. À l'aide du diagramme de l'étape 19, choisissez la vis H194287 pour les trous dans les montants muraux et la vis H200043 pour la fixation à l'ancrage mural.

H194287



[ 2 ]

H191090



[ 2 ]

Wall Anchor

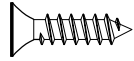
H200043



[ 2 ]

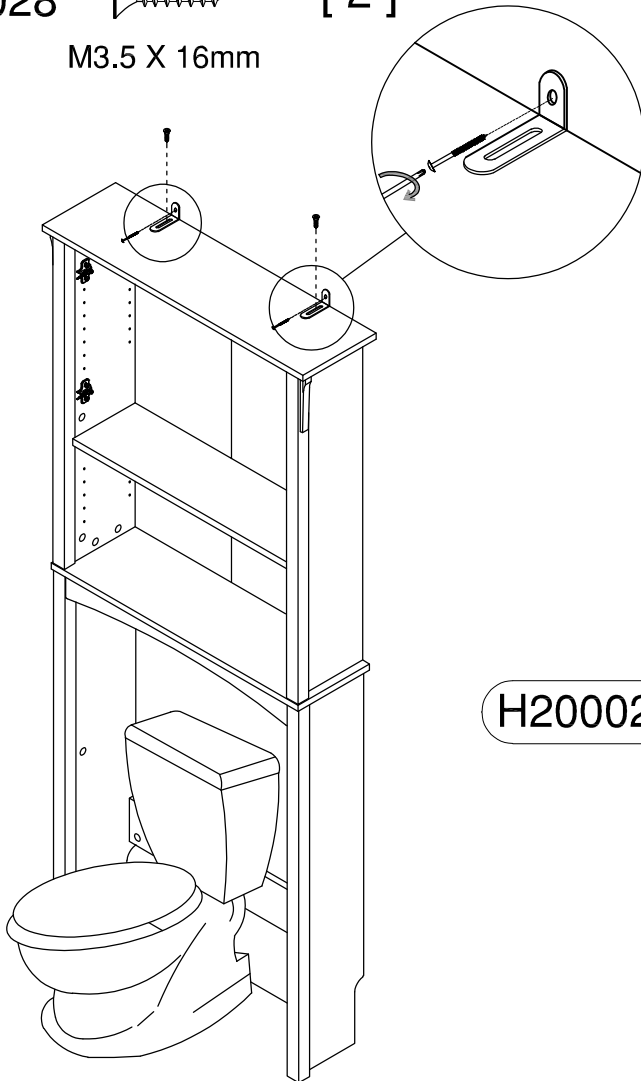
M4 X 38mm

H200028



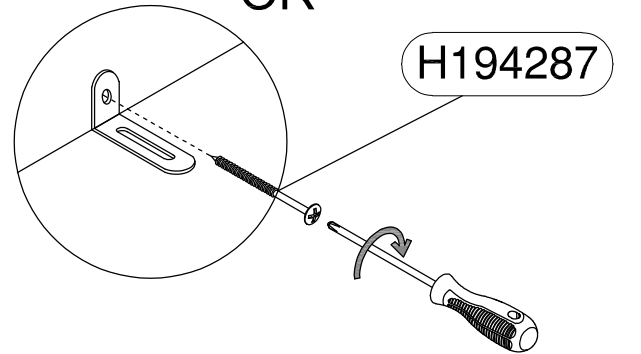
[ 2 ]

M3.5 X 16mm



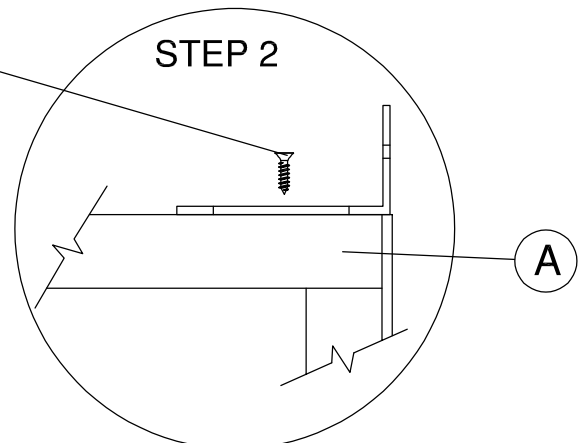
STEP 1

OR



H200028

STEP 2



Have an assembly question or need a replacement part? Just call **1-800-950-4782**, we are here to help.

**THIS PAGE INTENTIONALLY LEFT BLANK**

# WARRANTY INFORMATION/INFORMATIONS POUR LA GARANTIE/INFORMACIÓN DE GARANTÍA

## BUSH FURNITURE'S WRITTEN WARRANTY TO YOU

In order to provide you with timely assistance, please thoroughly inspect your furniture for missing or defective parts immediately after opening the carton. To receive replacement or missing parts under this warranty, call our Consumer Service Department TOLL-FREE at 1-800-950-4782. Please have the Model, Part, and Lot Numbers found in the instruction manual available for your reference. You will also need your sales receipt or other proof of purchase. Replacement part(s) will be shipped to you at no charge with Bush Industries assuming all shipping and handling charges.

This Bush Furniture product is warranted to the original purchaser at the time of purchase and for a period of one year thereafter.

We warrant to you, the original purchaser, that our furniture and all its parts and components are free of defects in material or workmanship. "Defects," as used in this warranty, is defined as any imperfection which impairs the use of the furniture product.

Our warranty is expressly limited to the replacement of furniture parts and components. For one year after the date of purchase, Bush will replace any parts that are defective in material or workmanship.

This warranty applies under conditions of normal use. Our Bush Furniture products are not intended for outdoor use. This warranty does not cover: 1) defects caused by improper assembly or disassembly; 2) defects occurring after purchase due to product modification, intentional damage, accident, misuse, abuse, negligence or exposure to the elements; and 3) labor or assembly costs. 4) batteries are not included.

IMPLIED WARRANTIES, INCLUDING THE WARRANTY OF MERCHANTABILITY, SHALL NOT EXTEND BEYOND THE DURATION OF THE WRITTEN WARRANTY STATED ABOVE, AND IN NO EVENT SHALL BUSH BE LIABLE FOR INCIDENTAL OR CONSEQUENTIAL DAMAGES RESULTING FROM USE OF THE PRODUCT. Some states do not allow a limitation on how long an implied warranty lasts or the exclusion or limitation of incidental or consequential damages, so the above limitation and exclusion may not apply to you.

This warranty gives you specific legal rights. You may also have other rights that may vary from state to state.

## VOTRE GARANTIE BUSH FURNITURE

Afin de vous assister rapidement, veuillez inspecter votre mobilier en détail immédiatement après l'ouverture du carton en cas de pièces manquantes ou défectueuses. Pour recevoir une pièce de rechange ou manquante couverte par cette garantie, appelez notre département de service clientèle GRATUITEMENT au 1-800-950-4782. Veuillez tenir à disposition les numéros de modèle, de pièce et de lot qui se trouvent dans le manuel d'instruction pour votre référence. Vous aurez également besoin de votre reçu ou d'une autre preuve d'achat. La (les) pièce(s) de rechange vous sera (seront) envoyée(s) sans frais, Bush Industries se chargeant de tous les frais d'expédition.

Tout le produit Bush Furniture est garanti à l'acheteur original à partir de la date d'achat pour une période d'un an.

Nous vous garantissons, à vous l'acheteur original, que notre mobilier et toutes ses pièces et composants sont sans défaut de matériau ou de fabrication. Le terme "défauts" utilisé dans cette garantie, est défini comme étant toutes les imperfections qui compromettent l'utilisation du meuble.

Notre garantie est expressément limitée au remplacement des pièces et des composants du mobilier. Pendant un an après la date d'achat, Bush remplacera toute pièce défectueuse dans le matériau ou sa fabrication.

Cette garantie d'applique sous des conditions d'utilisation normale. Nos produits ne sont pas destinés à être utilisés en plein air. Cette garantie ne couvre pas: 1) les défauts causés par un mauvais assemblage ou démontage, 2) les défauts ayant lieu après l'achat et dus à la modification du produit, des dommages intentionnels, des accidents, une mauvaise utilisation, un mauvais traitement, la négligence ou l'exposition aux éléments, et 3) les frais de main d'œuvre ou d'assemblage. 4) les piles ne sont pas incluses.

LES GARANTIES TACITES, Y COMPRIS LA GARANTIE DE QUALITE MARCHANDE, NE S'ETENDRONT PAS AU-DELA DE LA DUREE ECRITE CITEE CI-DESSUS, ET BUSH NE SERA EN AUCUN CAS RESPONSABLE DES DOMMAGES ACCESSOIRES OU INDIRECTS RESULTANT DE L'UTILISATION DU PRODUIT. Certains états ne permettent pas d'appliquer une limite à la durée de la garantie tacite, ni une exclusion ou limitation des dommages accessoires ou indirects; dans ce cas les limitations ou exclusion ci-dessus peuvent ne pas s'appliquer à vous.

Cette garantie vous donne des droits légaux spécifiques. Il se peut que vous ayez également d'autres droits qui peuvent varier d'un état à l'autre.

## GARANTIA ESCRITA DE BUSH FURNITURE PARA USTED

Para brindarle asistencia oportuna, por favor, verifique detalladamente que a su mueble no le falte o tenga piezas defectuosas inmediatamente después de abrir la caja. Para recibir un reemplazo o la parte faltante bajo esta garantía, llame a nuestro Departamento de Servicio al Consumidor GRATIS al 1-800-950-4782. Sírvase traer los números de modelo, parte y lote que se encuentran en el manual de instrucciones disponible para su referencia. Además, necesitará el recibo de su compra u otra prueba de compra. La(s) pieza(s) de reemplazo le será(n) enviada(s) sin recargo por Bush Industries asumiendo los gastos de envío y manipuleo.

Todo mueble de Bush Furniture es garantizado al comprador original al momento de la compra y por un periodo de uno año en adelante.

Le garantizamos a usted, el comprador original, que nuestros muebles sus partes y componentes están libres de defectos en materiales o trabajo. "Defectos", según se usa en esta garantía, se define como una imperfección que perjudica el uso del producto mobiliario.

Nuestra garantía se limita expresamente al reemplazo de partes y componentes mobiliarios. Durante uno año después de la fecha de compra, Bush reemplazará cualquier parte defectuosa en material o trabajo.

Esta garantía se aplica bajo condiciones de uso normal. Nuestros productos de Bush Furniture no son para uso en exteriores. Esta garantía no cubre: 1) defectos causados por un ensamblaje o desensamblaje inadecuado; 2) defectos que ocurran después de la compra debido a modificación del producto, daño intencional, accidente, mal uso, abuso, negligencia o exposición a los elementos; y 3) costos de trabajo o ensamblaje. 4) las baterías no están incluidas.

LAS GARANTÍAS IMPLICADAS, INCLUYENDO LA GARANTÍA DE COMERCIABILIDAD, NO SE EXTENDERÁN MÁS ALLÁ DE LA DURACIÓN DE LA GARANTÍA ESCRITA MENCIONADA, Y EN NINGÚN CASO BUSH SERÁ RESPONSABLE POR DAÑOS INCIDENTALES O CONSIGUIENTES COMO RESULTADO DEL USO DEL PRODUCTO. Algunos estados no permiten una limitación sobre el tiempo de duración de la garantía implicada o la exclusión o limitación de daños incidentales o consiguientes, de manera que la limitación y exclusión mencionadas pueden no aplicarse para usted.

Esta garantía le otorga derechos legales específicos. Puede también tener otros derechos que pueden variar según los estados.

**1-Year**  
Manufacturer's  
Warranty

### Register your product online:

Scan the QR Code or go to  
[https://bushfurniture.com/  
activate-warranty/](https://bushfurniture.com/activate-warranty/)



### Assembly tips & how to videos:

Scan the QR Code to access our video  
guides [https://bushfurniture.com/  
help-faq/#assembling](https://bushfurniture.com/help-faq/#assembling)

