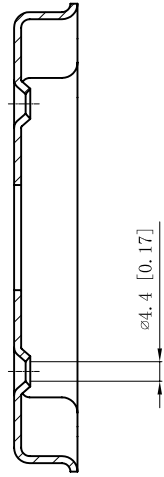
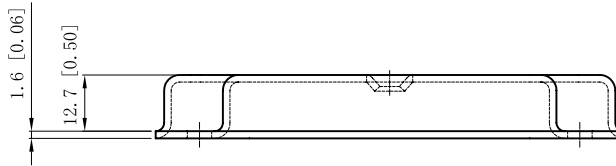
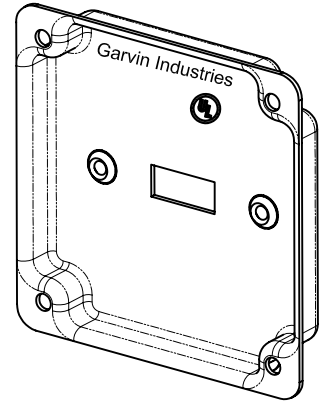
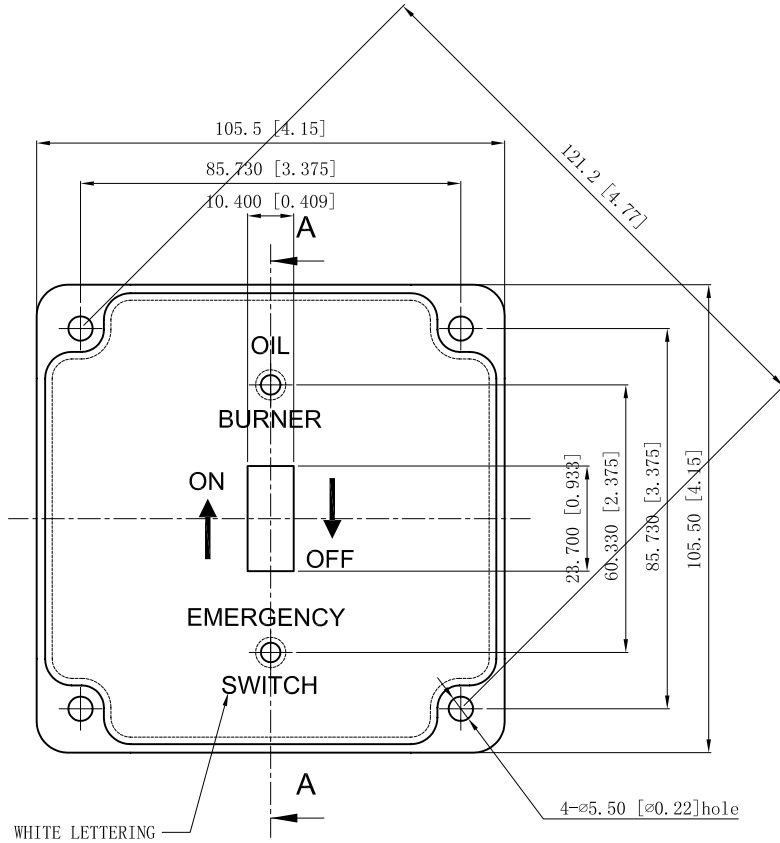


SIDES	BOTTOM
2 PCS 6-32X5/16 Screws Pack In Poly-bag Separately	
Material:Steel-0.0625"-C.R.S Powder Coating Red	



VIEW A



This data sheet is for reference only .GARVIN INDUSTRIES reserves the right to make changes to the design without prior notice.

DESCRIPTION
TRADE REFERENCE TERMS

STANDARD PACKING
25/100 PCS

<h1>GARVIN INDUSTRIES</h1>		
TITLE 4" SQUARE RED EMERGENCY OIL BURNER SWITCH PLATE. 1-TOGGLE WITH ON/OFF		
SIZE A4	DWG NO. BPO-1935	REV A
DATA SHEET		