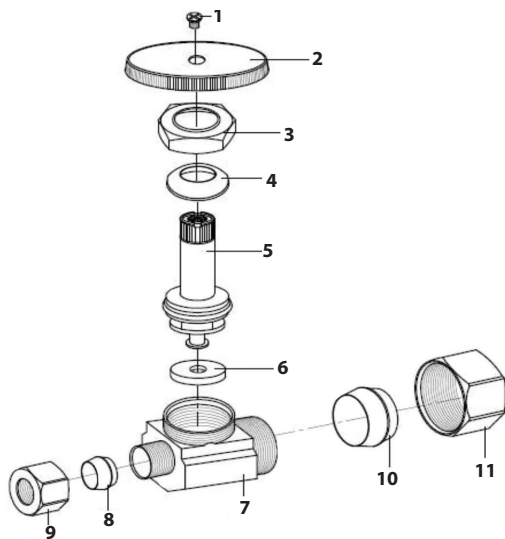


## 5/8" COMP X 3/8" COMP MULTI-TURN STRAIGHT SUPPLY STOP VALVE



- Multi-turn oval style handle
- Straight stop design typically used when water supply pipe comes up from the floor
- Lead Law Compliant
- Meets or exceeds NSF/ANSI 372-2016, NSF/ANSI 61-2016, ASME A112.18.1-2018/CSA B125.1-18, Safe Drinking Water Act Section 1417(d) and Section 116875 of the California Health & Safety Code
- cUPC listed



PART NO.	FINISH
S4312BN	Brushed Nickel
S4312RB	Oil Rubbed Bronze
S4312WB	Old World Bronze

NO.	PART	MATERIAL
1	Screw	Brass
2	Handle	Zinc
3	Cap Nut	Brass
4	Packing	Rubber
5	Stem	Brass
6	Packing	Rubber
7	Body	Brass
8	3/8" Sleeve	Brass
9	3/8" Nut	Brass
10	5/8" Sleeve	Brass
11	5/8" Nut	Brass

