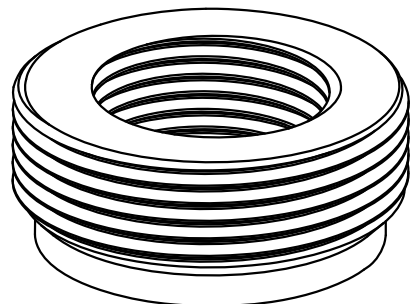
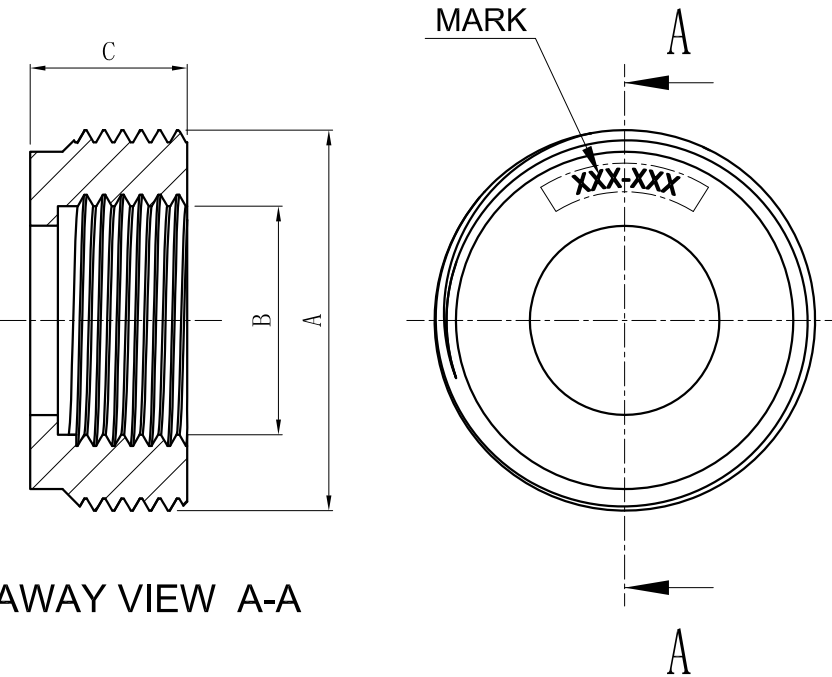


SIDES	BOTTOM
Material:Steel-(C1008-C1018) Galvanized	

ITEM	A (NPSM)	B (NPSM)	C	MARK	STD.PKG
RB-25050	2-1/2"	1/2"	1.18"	2 1/2"-1/2"	5
RB-25075	2-1/2"	3/4"	1.18"	2 1/2"-3/4"	5
RB-250100	2-1/2"	1"	1.18"	2 1/2"-1"	5
RB-250125	2-1/2"	1-1/4"	1.18"	2 1/2"-1-1/4"	5
RB-250150	2-1/2"	1-1/2"	1.18"	2 1/2"-1-1/2"	5
RB-250200	2-1/2"	2"	1.18"	2 1/2"-2"	5
RB-300100	3"	1"	1.18"	3"-1"	1
RB-300125	3"	1-1/4"	1.18"	3"-1 1/4"	1
RB-300150	3"	1-1/2"	1.18"	3"-1 1/2"	1
RB-300200	3"	2"	1.18"	3"-2"	1
RB-300250	3"	2-1/2"	1.18"	3"-2 1/2"	1
RB-350200	3-1/2"	2"	1.18"	3 1/2"-2"	1
RB-350250	3-1/2"	2-1/2"	1.18"	3 1/2"-2 1/2"	1
RB-350300	3-1/2"	3"	1.18"	3 1/2"-3"	1
RB-400200	4"	2"	1.18"	4"-2"	1
RB-400250	4"	2-1/2"	1.18"	4"-2 1/2"	1
RB-400300	4"	3"	1.18"	4"-3"	1
RB-400350	4"	3-1/2"	1.18"	4"-3 1/2"	1
RB-500400	5"	4"	1.18"	5"-4"	1
RB-600500	6"	5"	1.18"	6"-5"	1



DESCRIPTION
TRADE REFERENCE TERMS

This data sheet is for reference only .GARVIN INDUSTRIES reserves the right to make changes to the design without prior notice.

STANDARD PACKING	<h1 style="text-align: center;">GARVIN INDUSTRIES</h1> <h2 style="text-align: center;">STEEL REDUCING BUSHING</h2>		
SEE ABOVE			
	TITLE		
	SIZE	DWG NO.	REV
	A4	RB-STEEL	A