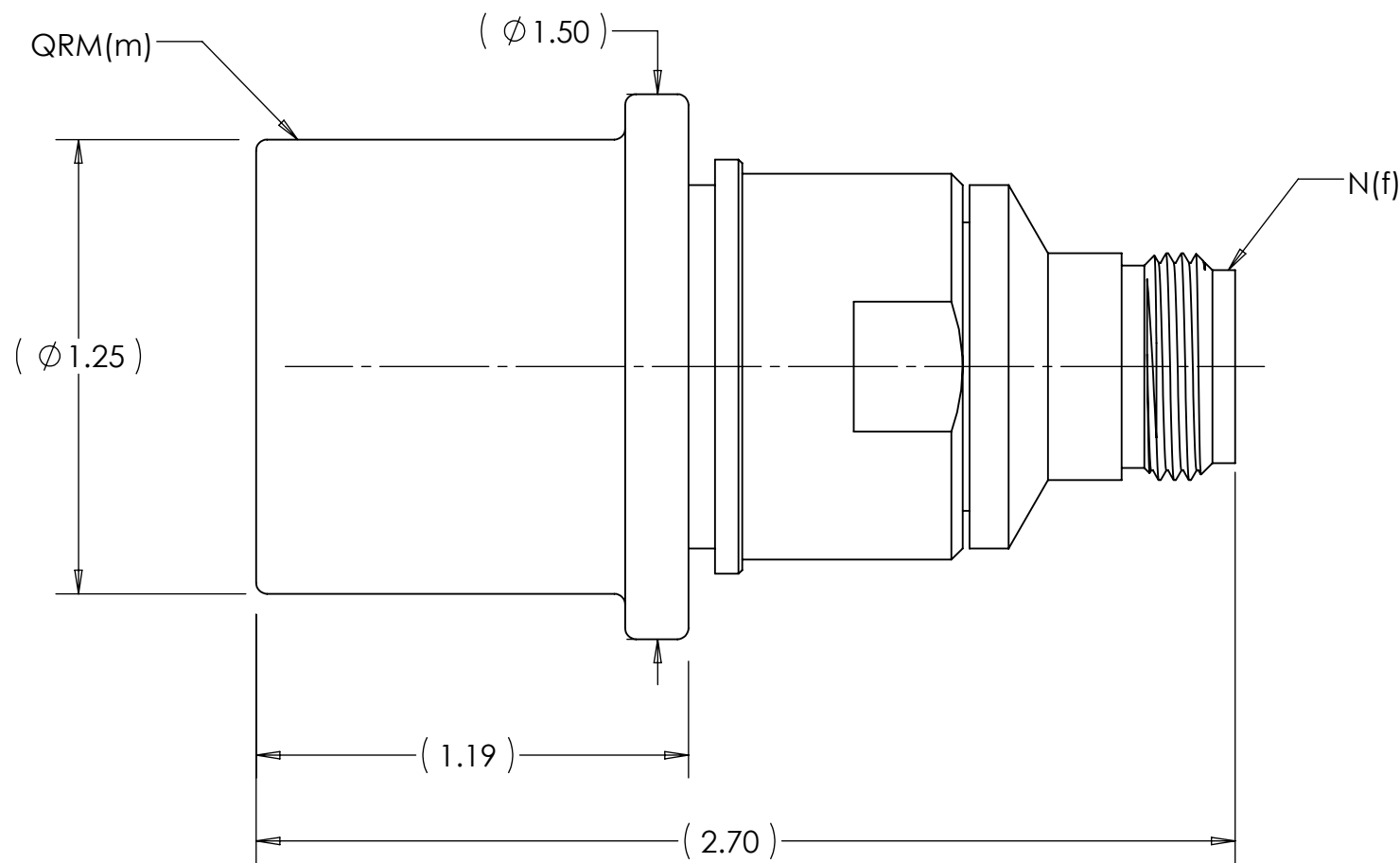
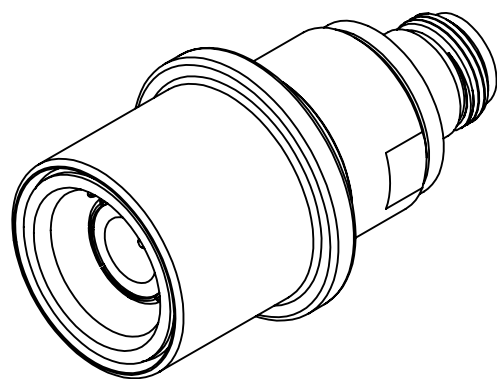


This document, including the design, configuration and mechanical features revealed herein are the sole, confidential and proprietary property of TRU Corporation. Reproduction or use thereof, in whole or part, is prohibited without the prior written consent of TRU Corporation.

REV.	DESCRIPTION	DATE	APPROVED
-	ORIGINAL ISSUE	04/05/13	AM



ENGINEERING DATA


ELECTRICAL:
IMPEDANCE: 50 OHMS NOMINAL

MECHANICAL:
INTERFACE: QRM(m) per TRU STANDARD
N(f) per MIL-STD-348 fig. 304-2

MATERIAL:
CONTACTS: BRASS & BERYLLIUM COPPER
INSULATORS: PTFE
HOUSINGS: BRASS

FINISH:
CONTACTS: SILVER PLATED
QRM HOUSING: NICKEL PLATED
TYPE N HOUSING: SILVER PLATED

NOTES:
1. UNLESS OTHERWISE SPECIFIED; ALL DIMENSIONS ARE FOR REFERENCE ONLY.

MATERIAL	DO NOT SCALE DRAWING	DRAWN AM	DATE 04/02/13	 TRU Corporation 245 Lynnfield St, Peabody, MA 01960 <i>EXPERIENCE. TRU INNOVATION.</i>
	UNLESS OTHERWISE SPECIFIED: DIMENSIONS ARE IN INCHES TOLERANCES: FRACTIONS: ±1/64 .XX : ±.01 .XXX: ±.005 ANGLES: ±1/2° MACHINED SURFACES: 63/√	ENG APPR. AM	DATE 04/03/13	
COMMENTS:		THIRD ANGLE PROJECTION	MFG APPR.	DATE
	OTHER APPR.		DATE	DWG. NO. TRU-12305
surface area: sq inch	weight: lbs	CAGE CODE: 92180		SCALE: 2:1
		SHEET 1 OF 1		REV -