

Brenham™ | K-1999-8

Wall-mount or concealed carrier arm mount commercial bathroom sink with widespread faucet holes and shroud

Features

- 8" (203 mm) widespread faucet holes
- Oval basin
- Overflow drain
- Includes wall hanger
- Combination consists of basin and shroud
- Combination consists of basin and shroud



Sustainability



Available Colors/Finishes

Color tiles intended for reference only.

- 0 White
- 96 Biscuit



Codes/Standards

ADA, OBC, CSA B651 compliant when installed to the specific requirements of these regulations.

ADA CSA B651 OBC

ASME A112.19.2/CSA B45.1

ADA

ICC/ANSI A117.1

CSA B651

OBC

Warranty

See website for detailed warranty information.

KOHLER® Vitreous China Bathroom Sink Lifetime Limited Warranty

Technical Information

Number of Deck Holes:	3
Faucet Hole(s) Size:	1-3/8" (35 mm)
Center(s):	8" (203 mm)
With Overflow:	Yes
Drain Hole Diameter:	1-3/4" (44 mm)
Basin Configuration:	Single Bowl
Basin Length:	14-3/8" (365 mm)
Basin Width:	12-5/16" (313 mm)
Basin Depth:	4-9/16" (115 mm)

Material

- Vitreous china

Included Combo Skus

- K-1997-8 Wall-mount or concealed carrier arm mount commercial bathroom sink with widespread faucet holes
- K-1998 Shroud

Recommended Products/Accessories

K-23726 Drain treatment

K-23725 Cast iron cleaner



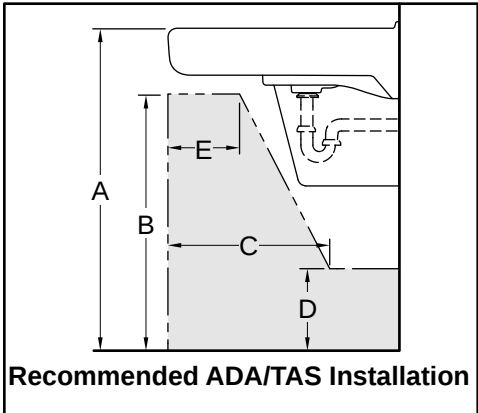
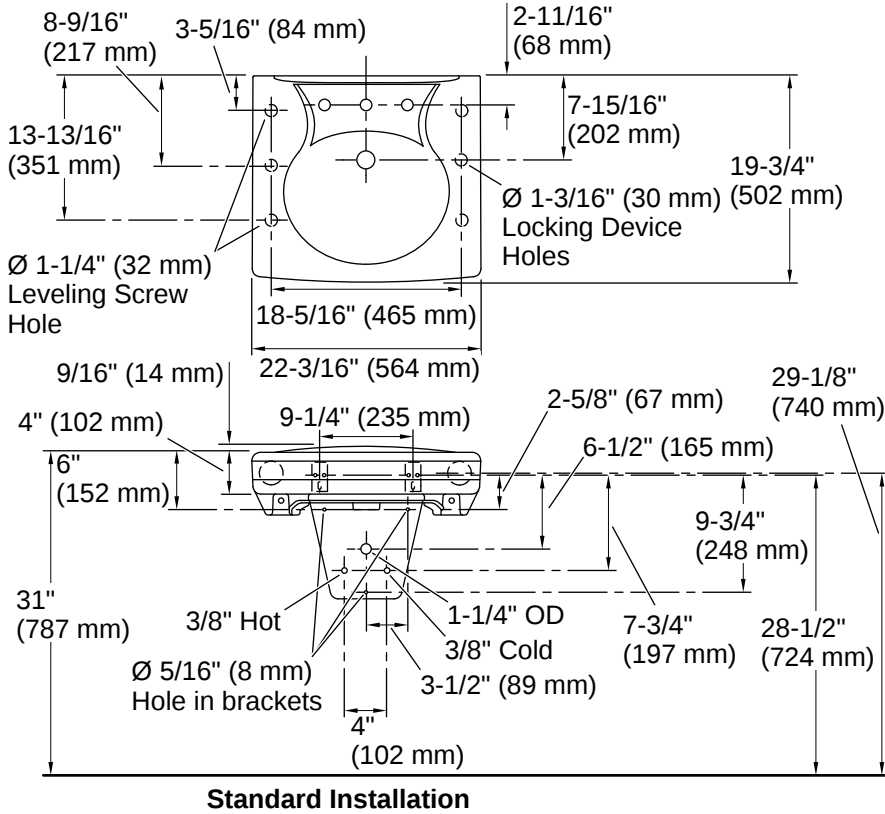
1-800-4KOHLER (1-800-456-4537)

Kohler Co. reserves the right to make revisions without notice to product specifications.

For the most current specification sheet, go to www.kohler.com USA or www.kohler.ca Canada.

4-13-2026 12:49 - US-CA

Concealed Arm Hole Location



Recommended ADA/TAS installation:

	ADA and TAS	Children's Environment ADA and TAS Ages 6-12 yrs
A	34" (864 mm)	31" (787 mm)
B	27" (686 mm)	24" (610 mm)
C	11" (279 mm)	11-1/16" (281 mm)
D	9" (229 mm)	9-1/16" (230 mm)
E	8" (203 mm)	8-1/16" (205 mm)

Installation

- Wall-mount
- Drilled for concealed arm carrier installation

Installation Notes

Install this product according to the installation instructions.

Product dimensions are nominal and may vary per ASME A112.19.2 tolerances.

ADA, OBC, CSA B651 compliant when installed to the specific requirements of these regulations.

