



DANE 3 LIGHT/4 LIGHT VANITY LIGHT ASSEMBLY/INSTALLATION INSTRUCTIONS

Please read carefully and save these instructions, as you may need them at a later date.

CAUTION

Turn off the main power at the circuit breaker before installing the fixture, in order to prevent possible shock.

GENERAL

All electrical connections must be in accordance with local and National Electrical Code (N.E.C.) standards. If you are unfamiliar with proper electrical wiring connections obtain the services of a qualified electrician.

Remove the fixture and the mounting package from the box and make sure that no parts are missing by referencing the illustrations on the installation instructions.

TOOLS REQUIRED

Phillips Screwdriver.

ASSEMBLY AND INSTALLATION

Turn off the power at fuse or circuit breaker.

1. Before beginning the installation, carefully unpack and identify all parts.
2. Using (2) JUNCTION BOX SCREWS, securely fasten the MOUNTING STRAP to the JUNCTION BOX.
NOTE: This fixture also provided with 2 wood screws for optional channel shape MOUNTING BRACKET installation. It will be necessary to mark the location of the keyhole slots on the mounting surface and drill holes for fasteners. Use fasteners suitable for the mounting surface. The narrow end of the KEYHOLE SLOTS should face up. Fit the heads of the wood screws through the KEYHOLE SLOTS in the MOUNTING STRAP, pull down the MOUNTING STRAP until the wood screw heads are seated at the small ends of the KEYHOLE SLOTS, and secure both wood screws.
3. MAKE CONNECTIONS: (We recommend 2 people for the remainder of installation) Position the FIXTURE in front of the JUNCTION BOX, connect the SUPPLY GROUND WIRE to the FIXTURE GROUND WIRE with a wire nut and secure them to the MOUNTING STRAP with GREEN GROUND SCREW. Using wire connectors, connect the SUPPLY WHITE WIRE(S) to the FIXTURE WHITE (or RIBBED) LEAD(S); Connect the SUPPLY BLACK (or RED) WIRE to the FIXTURE BLACK (or SMOOTH) LEAD(S). Wrap all connections with approved electrical tape.
4. Place the BACKPLATE over the MOUNTING STRAP and secure it with (2) LOCKING BALLS.
5. Locate the GLASS SHADE(S) and pass over the SOCKET(S). Thread the SOCKET COLLAR(S) onto the end of the SOCKET(S). Hand tighten until snug.
6. Install LIGHT BULB(S) (Sold separately). The bulb quantities depend on the style (Refer to Figure 2).

Turn on the power at fuse or circuit breaker.

FIGURE 1.

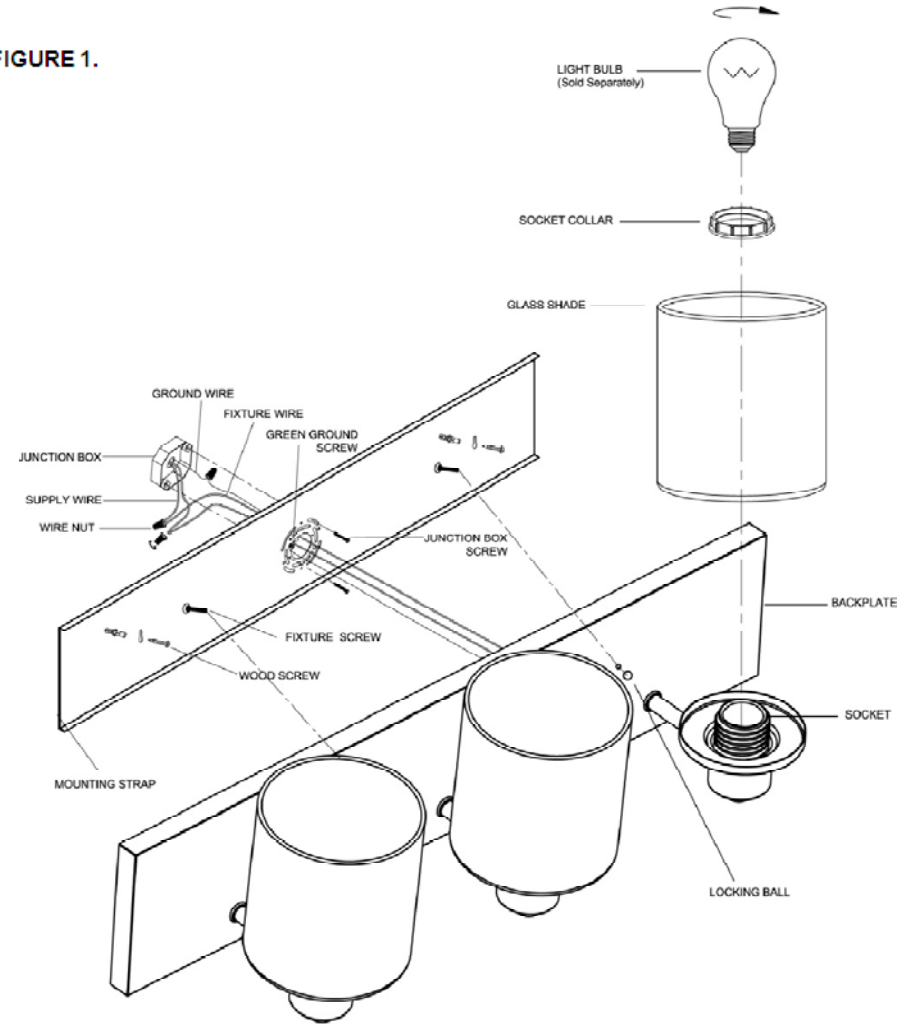
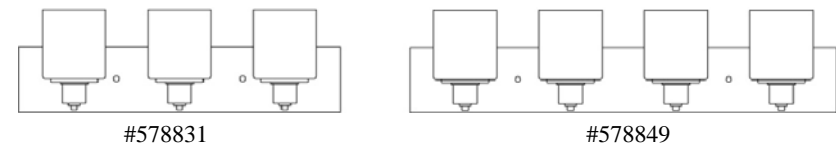


FIGURE 2.



**IF IN DOUBT ABOUT ELECTRICAL INSTALLATION,
CONSULT A LICENSED ELECTRICIAN.**

Customer Service: 1-800-558-8700