

Brand	AXOR
Art. Name	<b>AXOR ShowerSolutions</b> Showerhead 250 2-Jet Ceiling Connection, 1.75 GPM
Art. Nr.	35365821
Surface	brushed nickel
Pos.	1

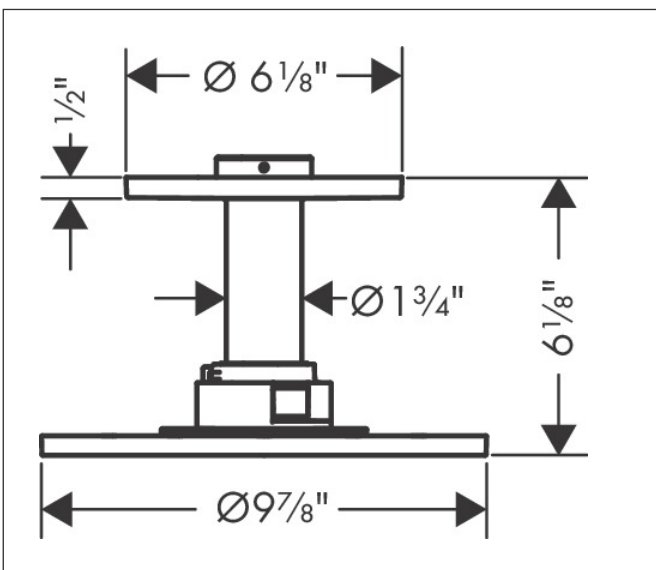
## Product Picture



## Features

- Consists of: Showerhead, ceiling connector, Green Diverter
- shower head size: 250 mm
- Spray modes: PowderRain, Intense PowderRain
- adjustment with shift on thermostat
- dynamic spray nozzles move out while using
- Flow: 1.75 GPM (6.6 L/Min)
- Showerhead removable for cleaning
- ServiceCard with sieve can be removed without tools for cleaning purpose

## Drawing



## Technology



## Spray Types

