

Assembly Guide

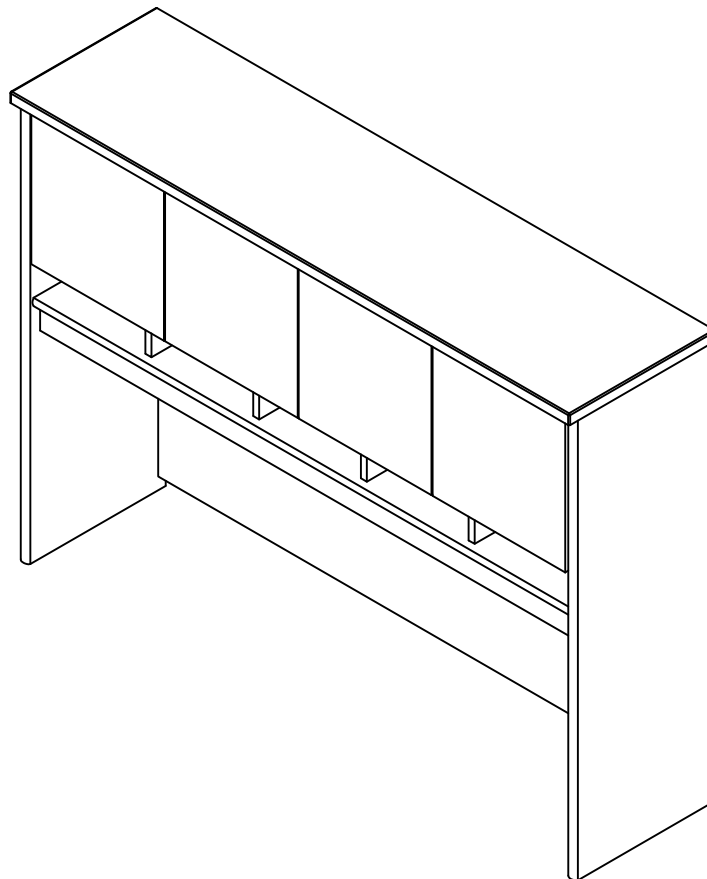


If you're having any difficulty during assembly of this product, don't hesitate to call us at **1-800-950-4782.**

Our customer service experts are trained to provide step-by-step instruction and can easily replace any missing or damaged parts.

Representatives are available Monday-Friday from 8:30 a.m. to 7:30 p.m. (ET)

60W Hutch



Lot Code #

Instruction Sheet Number A151937C

Keep manual for future reference.

For best results, keep these tips in mind:

- ① We know you want to finish this assembly as quickly as possible, but trust us: you'll have a better experience if you take it one step at a time.
- ② Give yourself some room to work near where you want the fully assembled product.
- ③ If your floor isn't carpeted, assemble this product on the empty carton to avoid scratching.
- ④ Do you have a friend who owes you a favor? Some steps may go a little easier with a second set of hands.

DOs

- ✔ Use a #2 Phillips head screwdriver (or other handheld tools as indicated)
- ✔ Wear safety glasses at all times during assembly
- ✔ Carefully follow the instructions in this guide and complete all steps in order
- ✔ Give us a call if you're having trouble with a particularly tricky step

DON'Ts

- ✘ We know power tools are quick and easy, but you shouldn't use them when assembling this product (unless otherwise specified)
- ✘ Never move your furniture with items inside or resting on the surface
- ✘ Do not attempt to use this product before all steps have been completed



Watch assembly videos right on your phone or computer!



Some steps include QR codes that link to helpful videos. Watch out for the icon below! Simply open up your smartphone camera to scan the code.

(Users of older smartphones may need to install a QR Reader.)

SCAN HERE



FOR VIDEOS

Or visit <https://www.bushbusinessfurniture.com/CustomerService/HowtoAssemble.aspx>

IMPORTANT SAFETY INFORMATION



PLEASE READ WARNINGS

Improper use can cause safety hazards, or damage to your furniture and household items.

Warning	Do	Don't	Why it's important
Serious injury may occur.	<ul style="list-style-type: none">Assemble following all instructions using all indicated parts and hardware provided.Attach hutch only as described in the instructions.Verify furniture is stable on it's own.Only place against a permanent wall structure at least as tall as the hutch or place back-to-back with hutch of same size.	<ul style="list-style-type: none">Do not move unit when loaded.Do not load with a television or other heavy equipment.Do not exceed the maximum load limits stated in the instructions.Do not allow children to climb, or hang on furniture.	Improper assembly, use or loading can lead to product instability, tipover, or collapse.

Advertencia	Hacer	No	Por qué es importante
Pueden producirse lesiones graves.	<ul style="list-style-type: none">Realice el montaje siguiendo todas las instrucciones y utilizando todas las piezas indicadas y los herrajes suministrados.Fije la conejera como se describe en las instrucciones.Compruebe que el mueble sea estable por sí mismo.Colóque el producto únicamente contra una estructura de pared permanente y fíjelo directamente a los montantes de la pared siguiendo las instrucciones.	<ul style="list-style-type: none">No mueva la unidad cuando esté cargada.No cargue el mueble con un televisor u otro equipo pesado.No supere los límites máximos de carga indicados en las instrucciones.No permita que los niños trepen o se cuelguen de los muebles.	El montaje, uso o carga inadecuados pueden provocar inestabilidad, vuelco o colapso del producto.

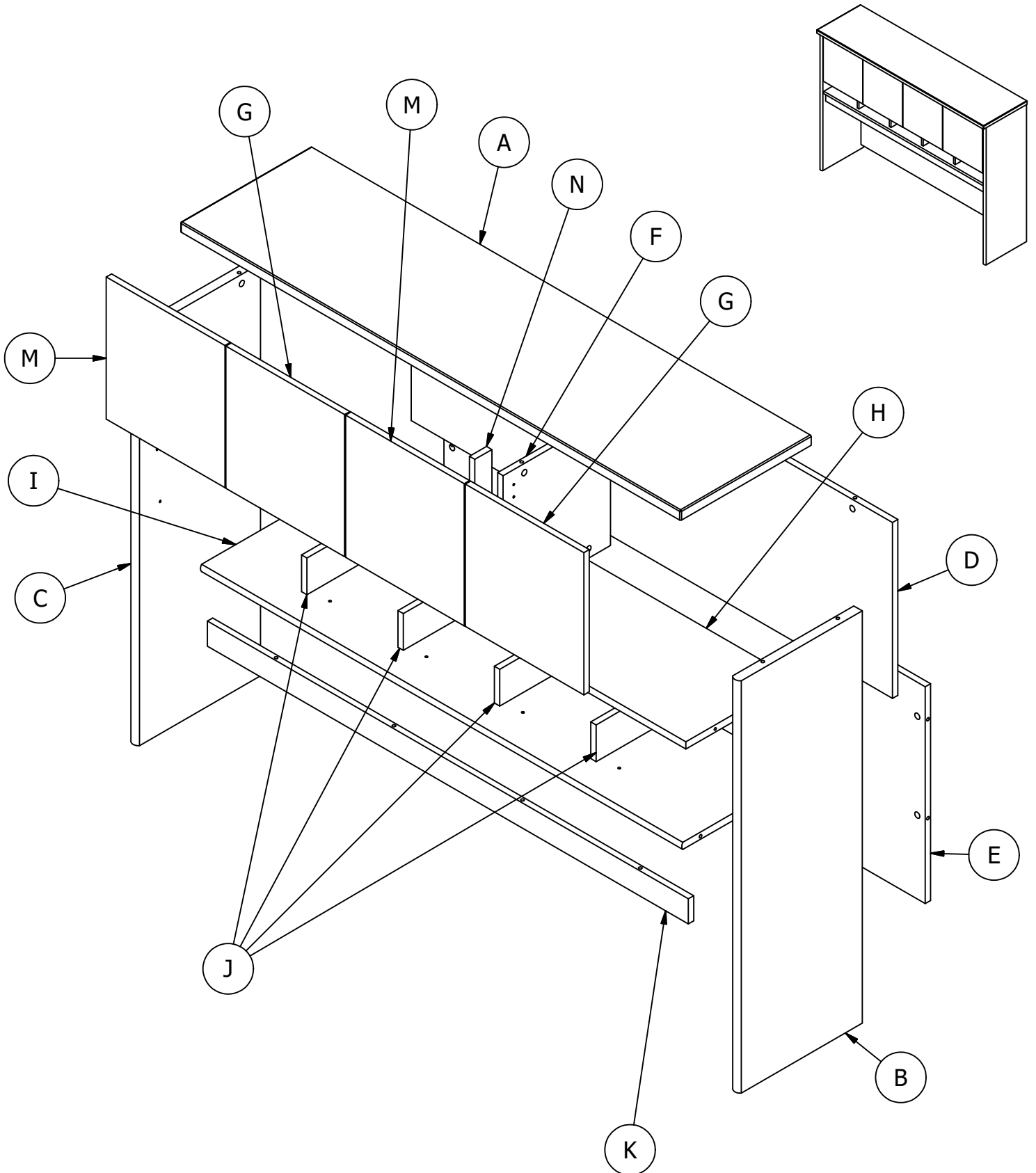
IMPORTANT SAFETY INFORMATION



PLEASE READ WARNINGS

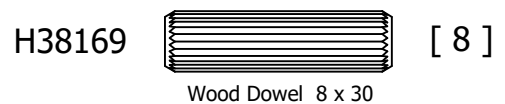
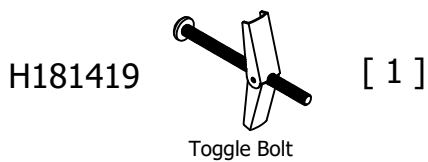
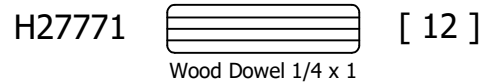
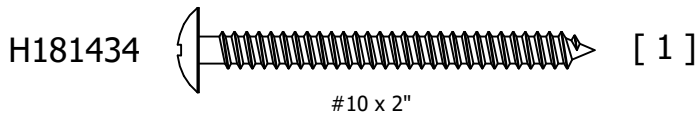
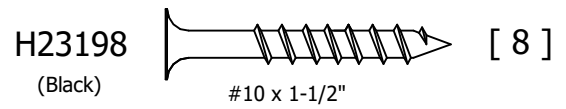
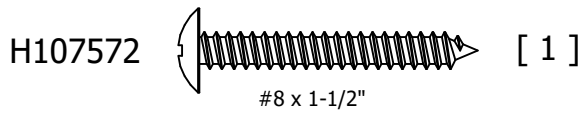
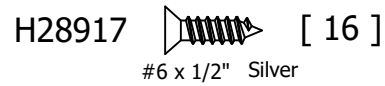
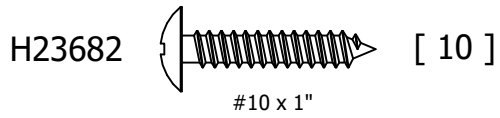
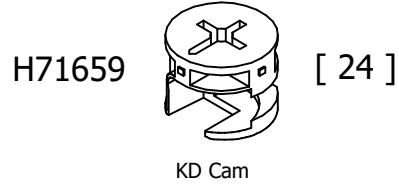
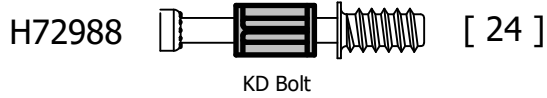
Improper use can cause safety hazards, or damage to your furniture and household items.

Avertissement	À faire	À ne pas faire	Pourquoi c'est important
Peut entraîner des blessures graves.	<ul style="list-style-type: none">• Assembler en suivant toutes les instructions et en utilisant toutes les pièces et la quincaillerie incluses.• Fixez la huche conformément aux instructions.• Assurez-vous que le meuble soit stable par lui-même.• Placer uniquement contre une structure murale permanente et fixer directement aux montants du mur selon les instructions.	<ul style="list-style-type: none">• Ne pas déplacer le meuble lorsqu'il est chargé.• Ne pas charger le meuble avec un téléviseur ou tout autre équipement lourd.• Ne pas dépasser les limites de poids maximales indiquées dans les instructions.• Ne pas laisser les enfants grimper ou s'accrocher aux meubles.	Un assemblage, une utilisation ou un chargement incorrects peuvent entraîner l'instabilité, le basculement ou l'effondrement du produit.



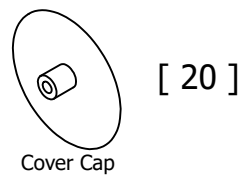
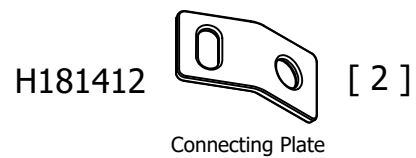
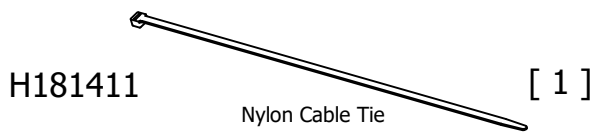
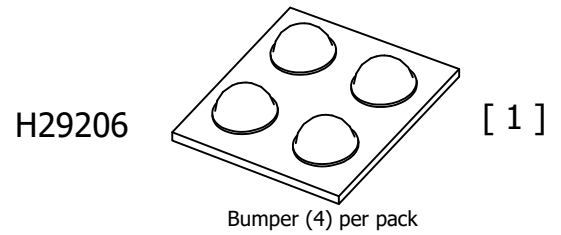
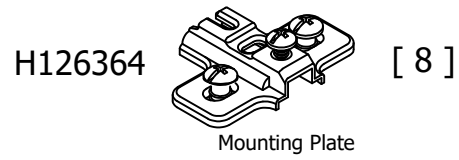
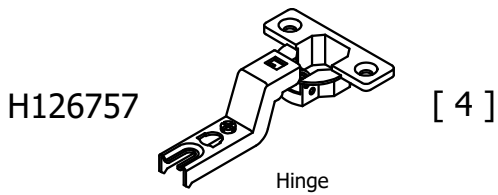
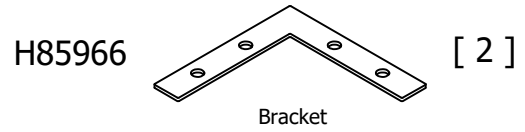
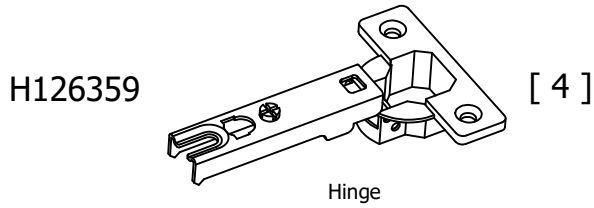
Have an assembly question or need a replacement part? Just call
1-800-950-4782, we are here to help.

Fasteners are shown actual size.



Have an assembly question or need a replacement part? Just call
1-800-950-4782, we are here to help.

Hardware not to scale.



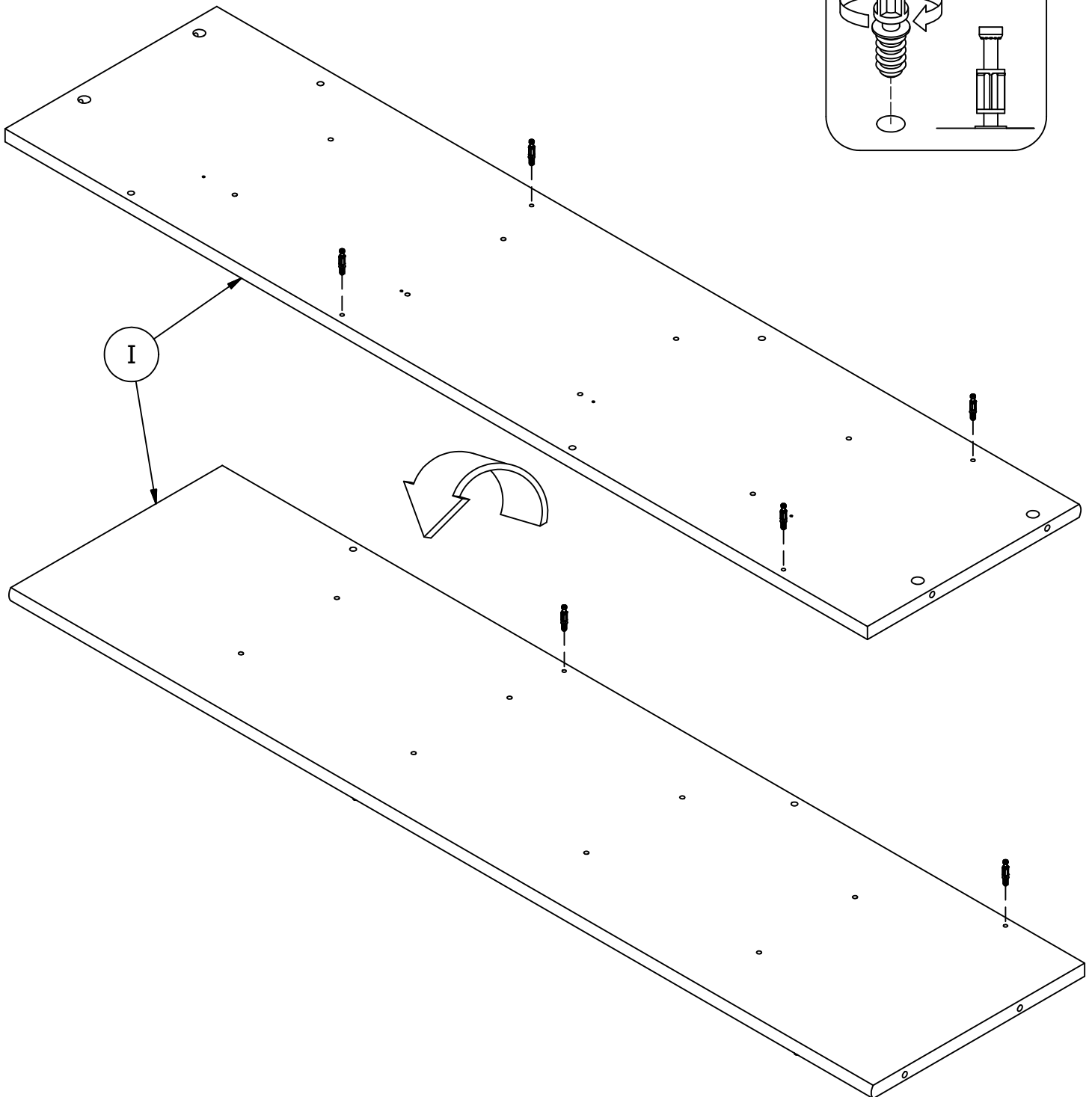
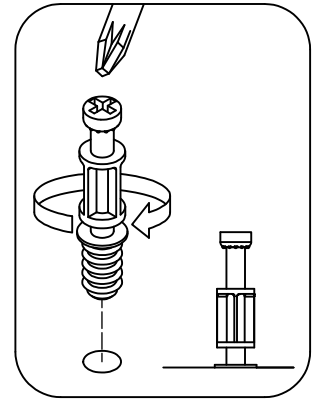
Have an assembly question or need a replacement part? Just call **1-800-950-4782**, we are here to help.

STEP 1

Prepare panel

A151937C

H72988 [6]
KD Bolt



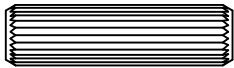
Have an assembly question or need a replacement part? Just call
1-800-950-4782, we are here to help.

STEP 2

Prepare Panel

A151937C

H38169



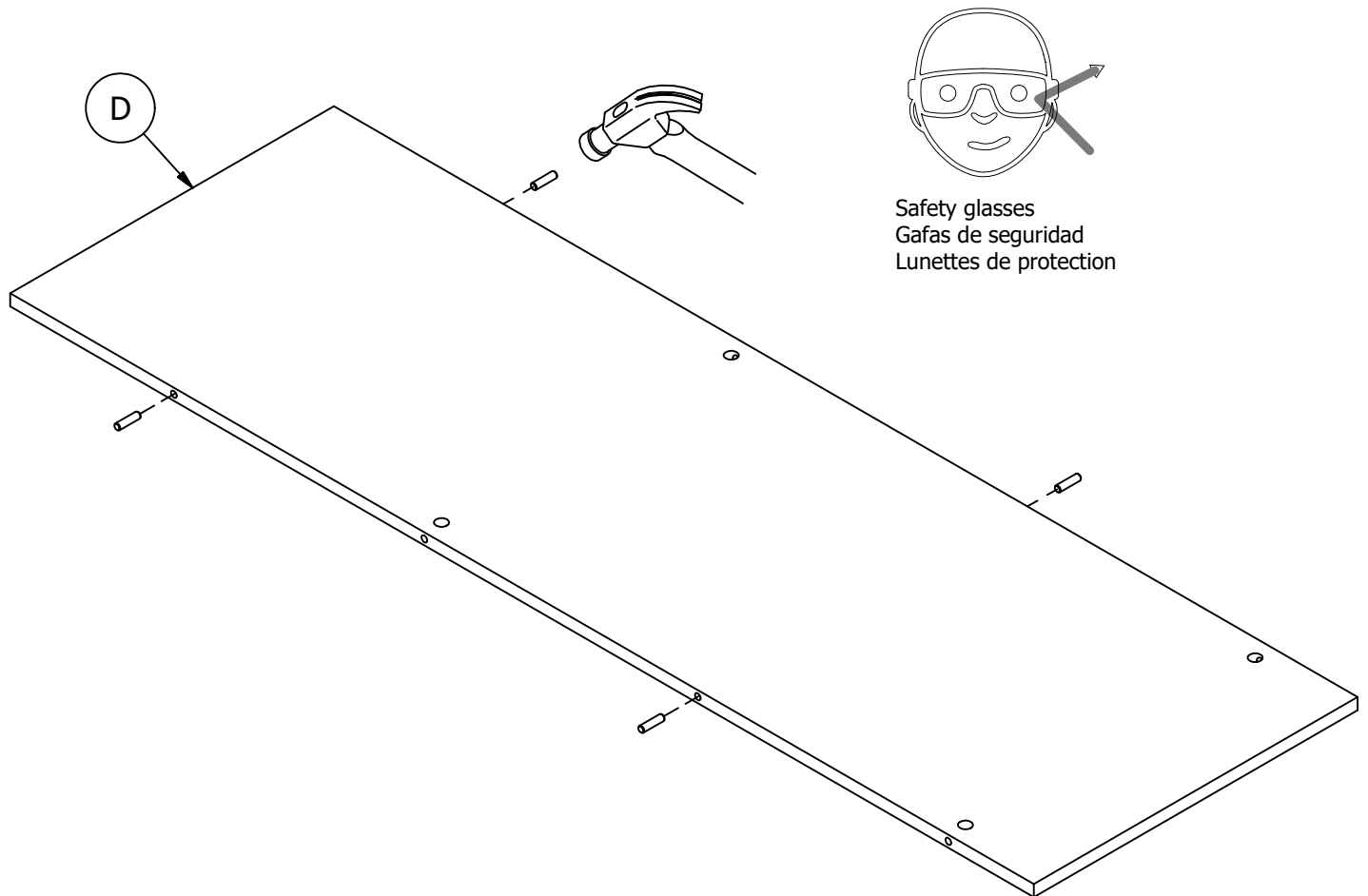
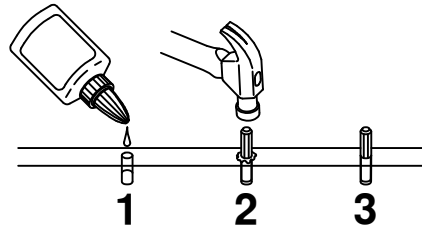
[4]

Wood Dowel 8 x 30

H27145



[1]



Have an assembly question or need a replacement part? Just call
1-800-950-4782, we are here to help.

STEP 3

Assemble Panels

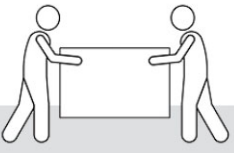
A151937C

Scan QR Code to Watch Video on:

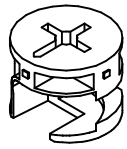


How to Tighten KD Cams

Team Lift

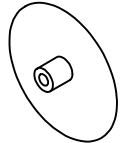


H71659



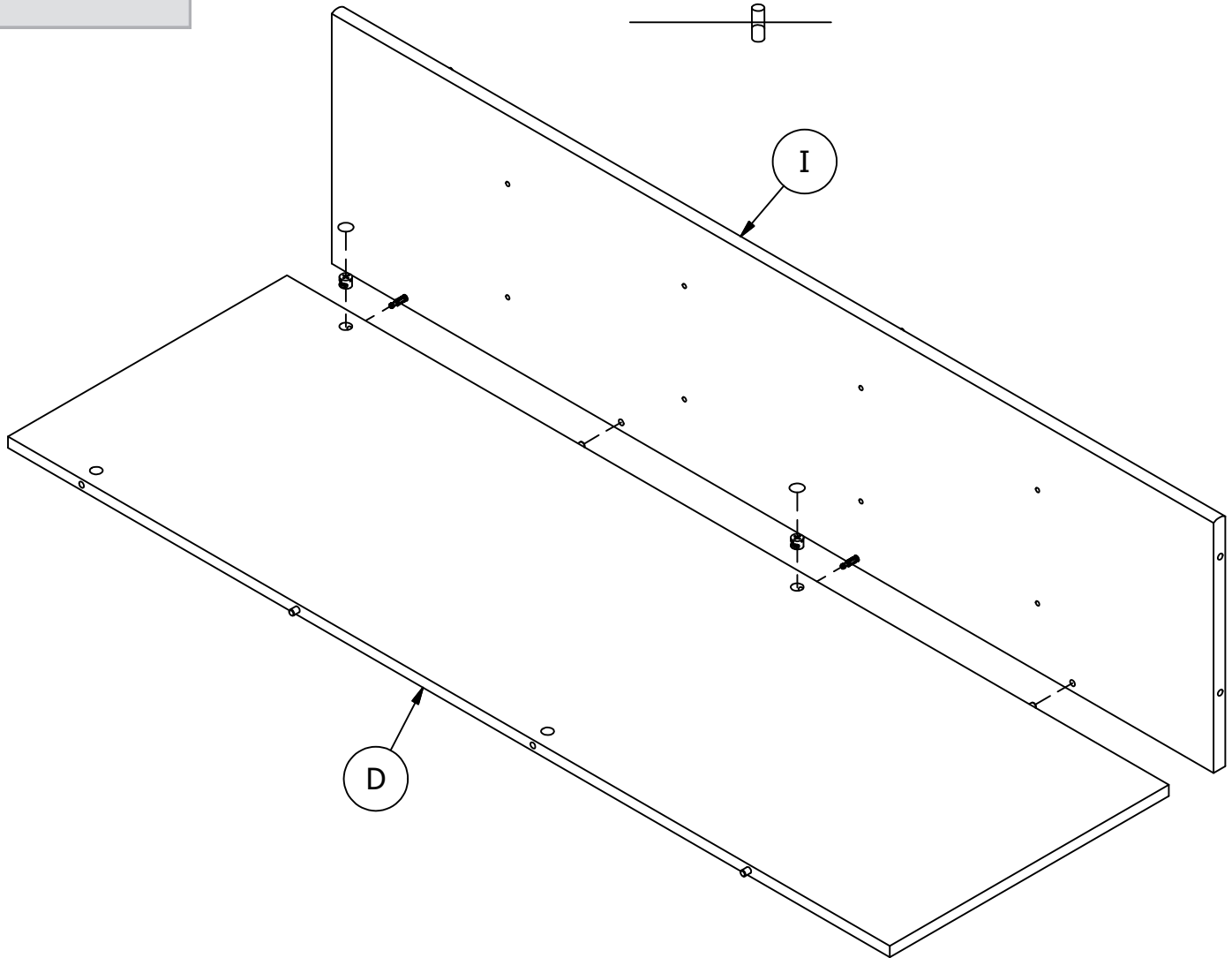
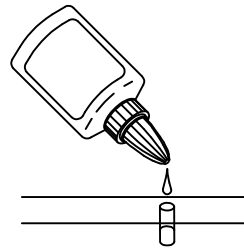
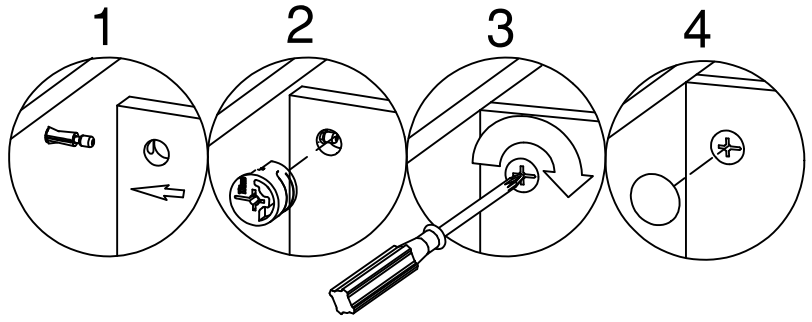
[2]

KD Cam



[2]

Cover Cap



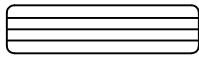
Have an assembly question or need a replacement part? Just call **1-800-950-4782**, we are here to help.

STEP 4

Prepare Panels

A151937C

H27771



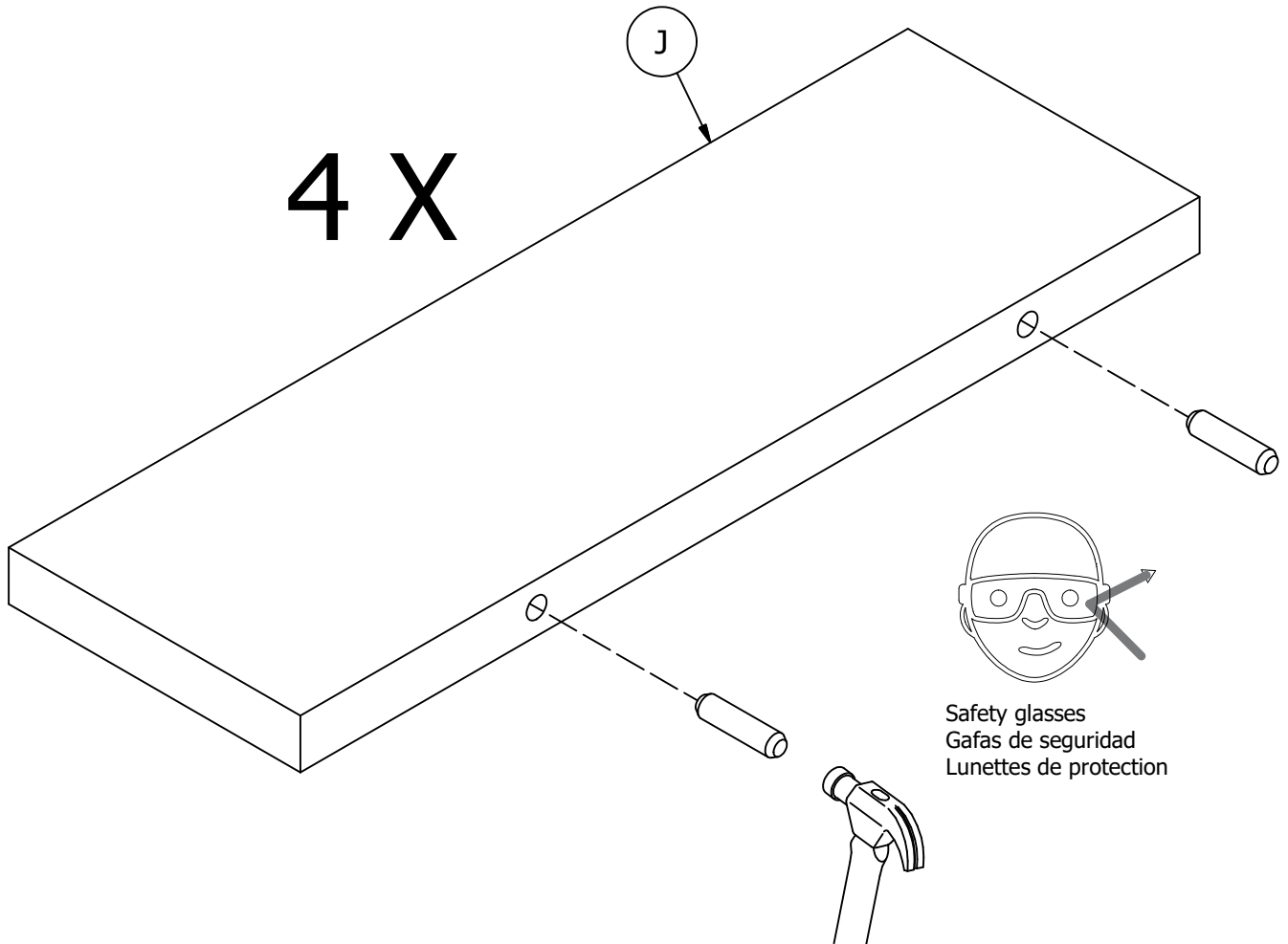
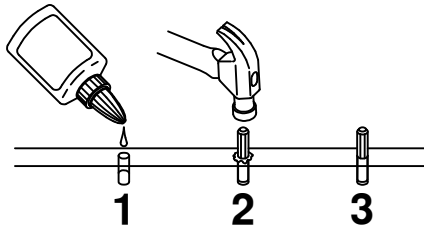
Wood Dowel 1/4 x 1

[8]

H27145



[1]



Safety glasses
Gafas de seguridad
Lunettes de protection

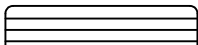
Have an assembly question or need a replacement part? Just call
1-800-950-4782, we are here to help.

STEP 5

Prepare Panel

A151937C

H27771



Wood Dowel 1/4 x 1

[4]

H72988



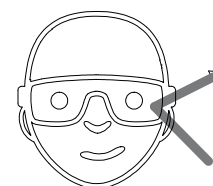
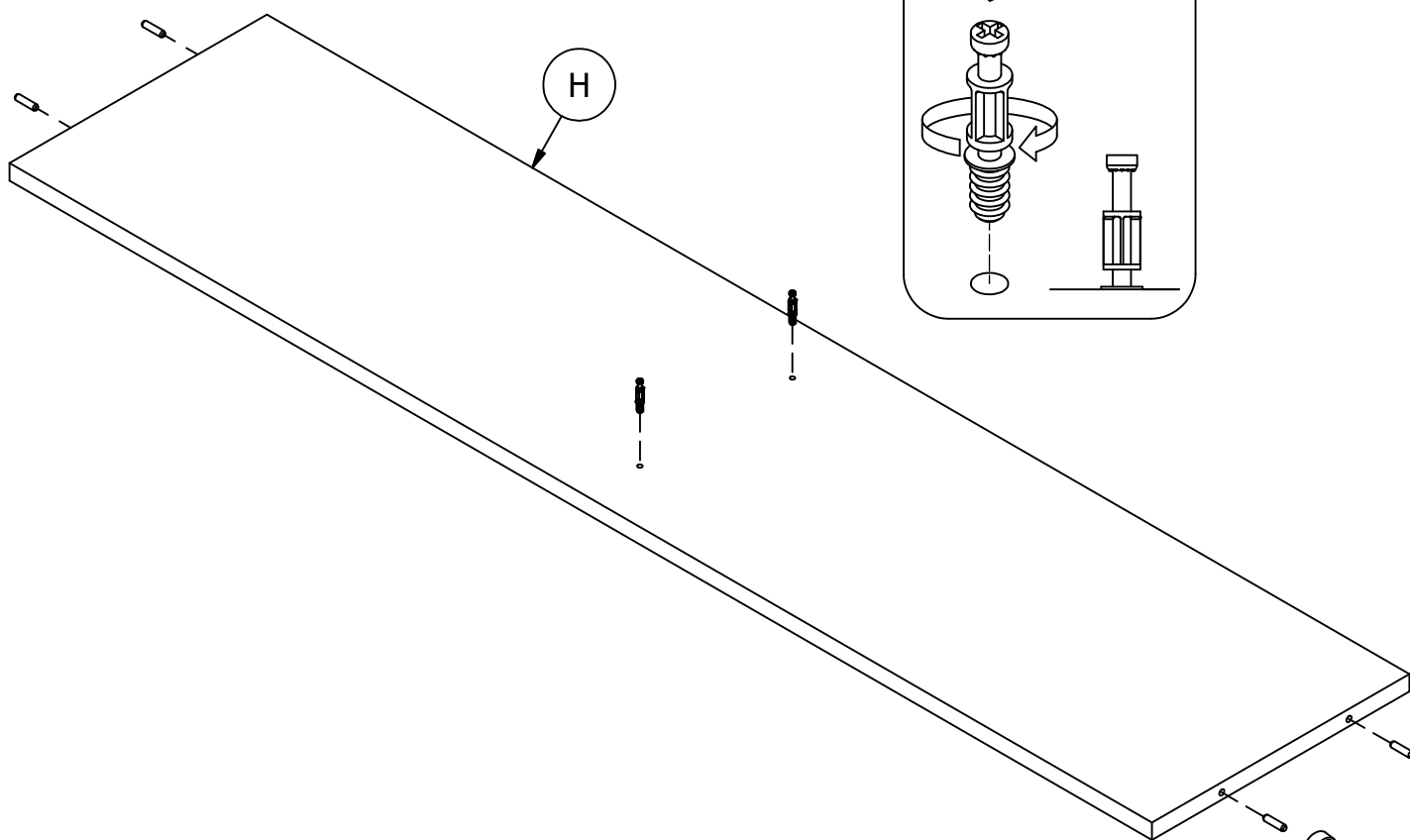
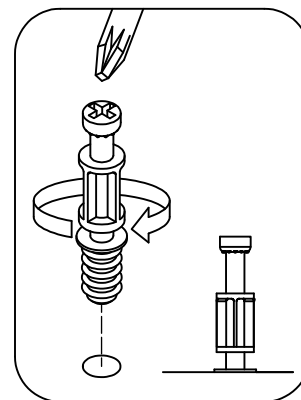
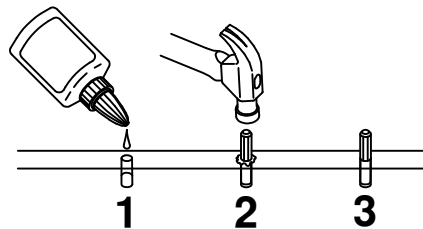
KD Bolt

[2]

H27145



[1]



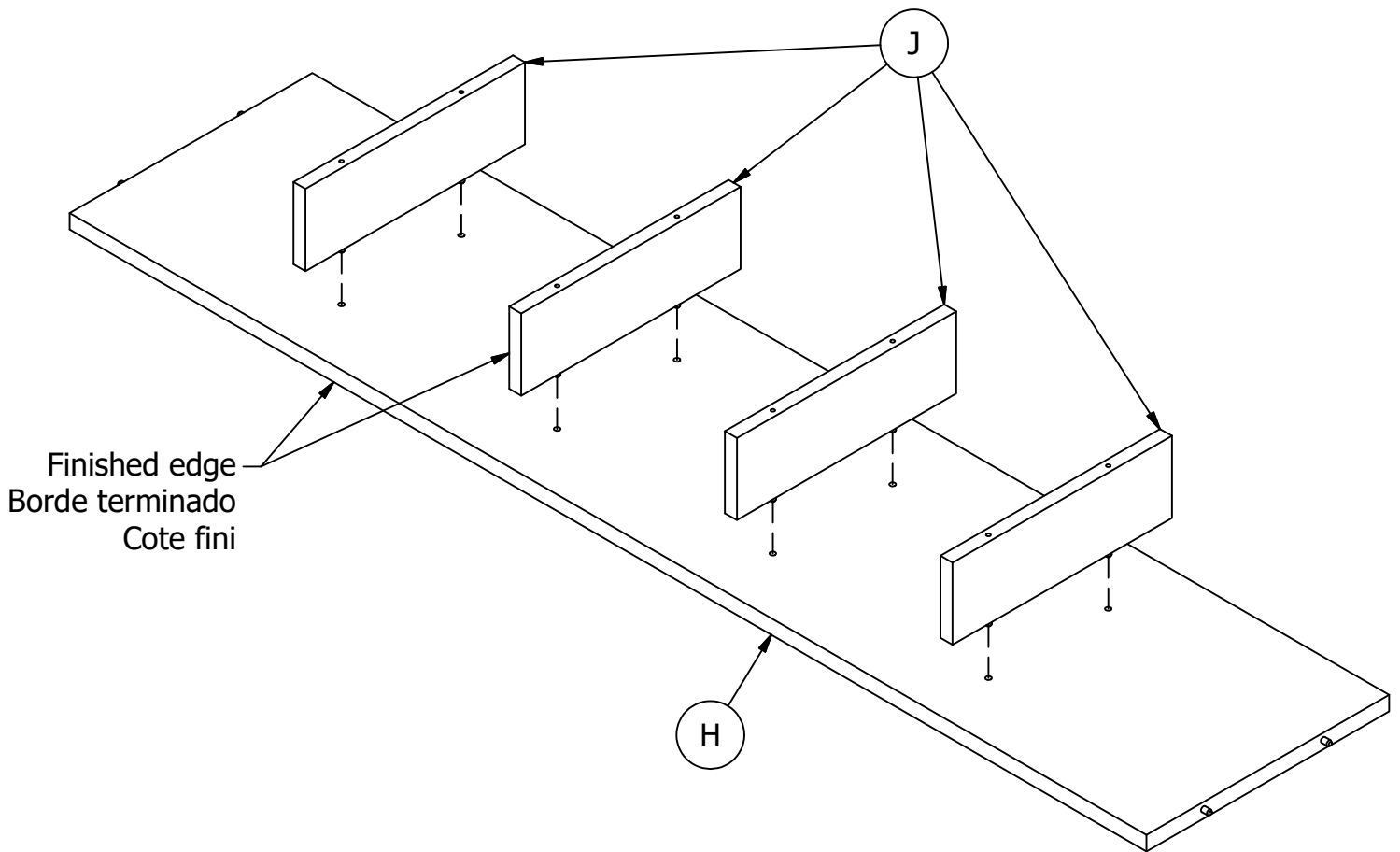
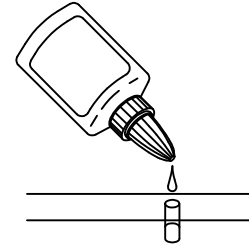
Safety glasses
Gafas de seguridad
Lunettes de protection

Have an assembly question or need a replacement part? Just call **1-800-950-4782**, we are here to help.

H27145



[1]

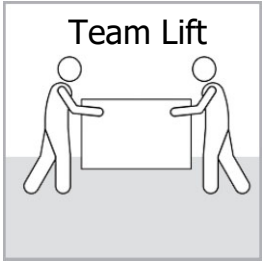


Have an assembly question or need a replacement part? Just call
1-800-950-4782, we are here to help.

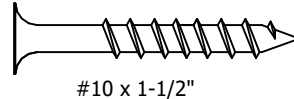
STEP 7

Assemble Panels

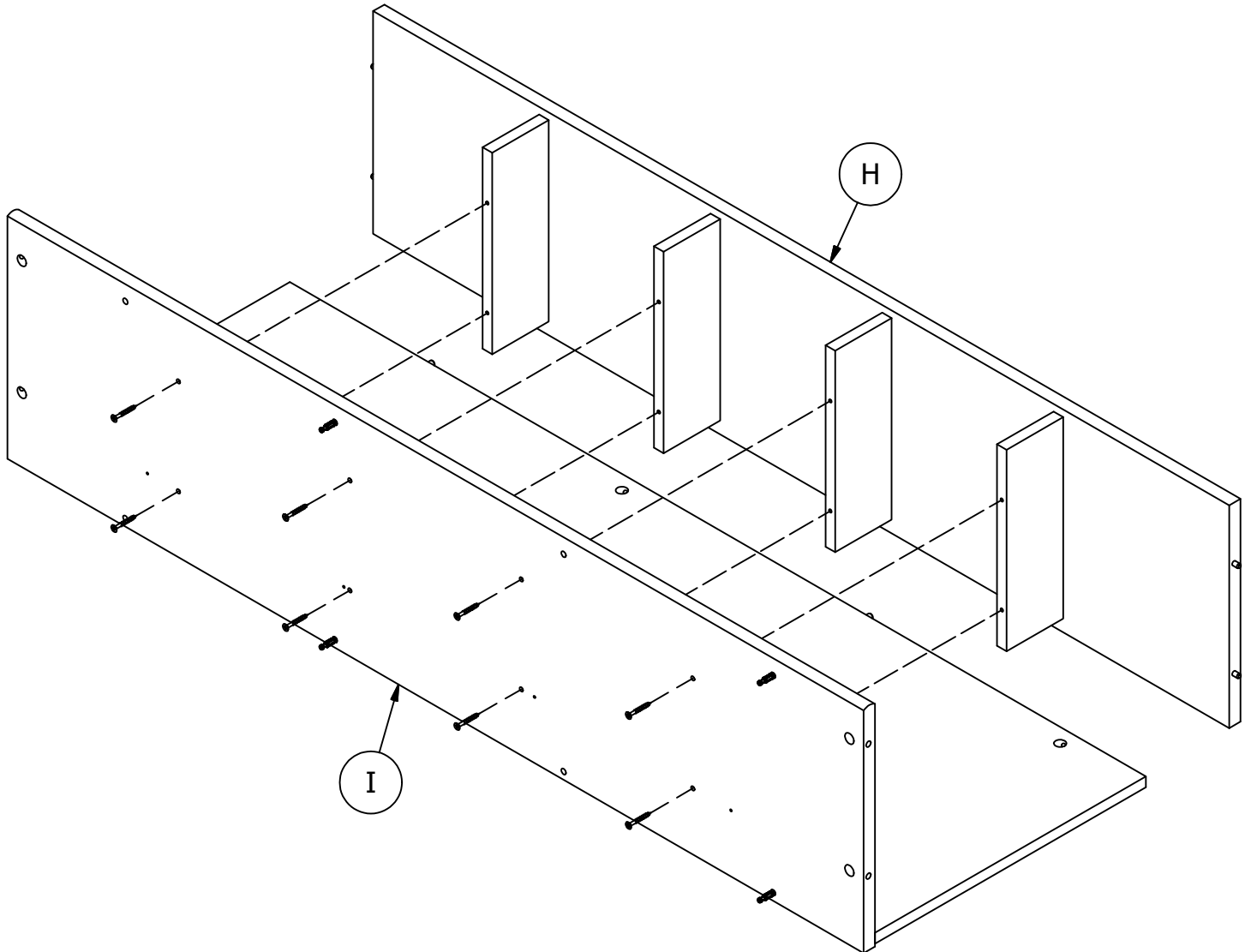
A151937C



H23198
(Black)



[8]



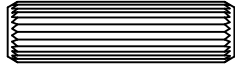
Have an assembly question or need a replacement part? Just call
1-800-950-4782, we are here to help.

STEP 8

Prepare Panel

A151937C

H38169



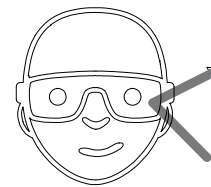
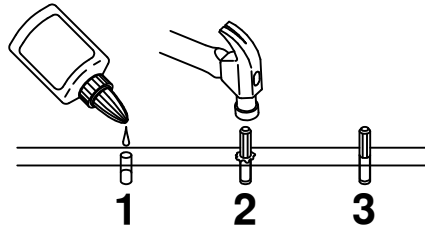
[2]

Wood Dowel 8 x 30

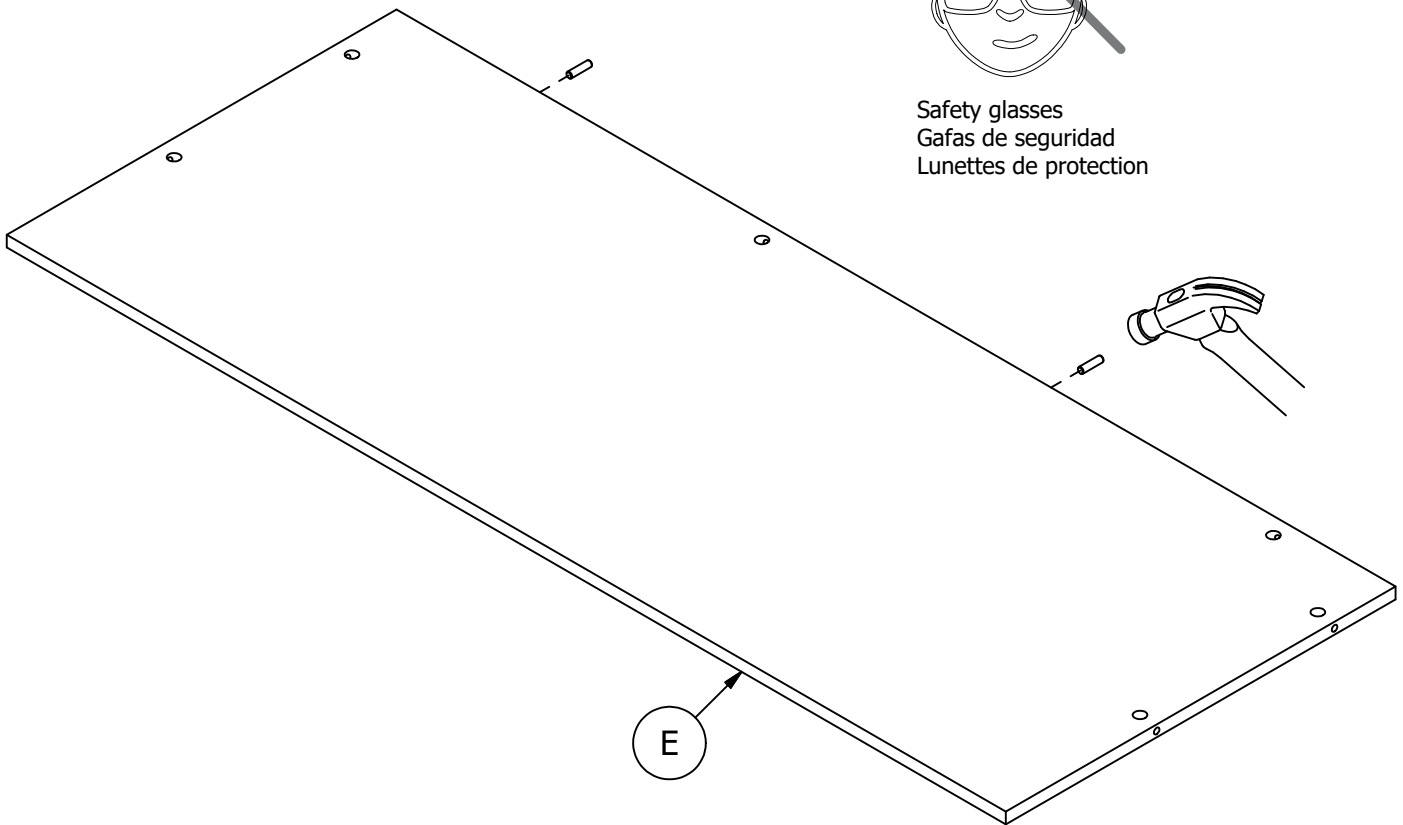
H27145



[1]



Safety glasses
Gafas de seguridad
Lunettes de protection

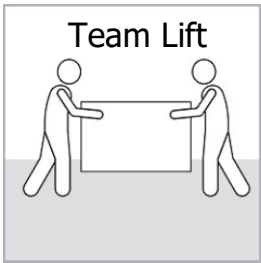


Have an assembly question or need a replacement part? Just call
1-800-950-4782, we are here to help.

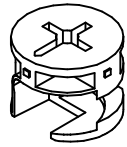
Scan QR Code to Watch Video on:



How to Tighten KD Cams

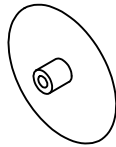
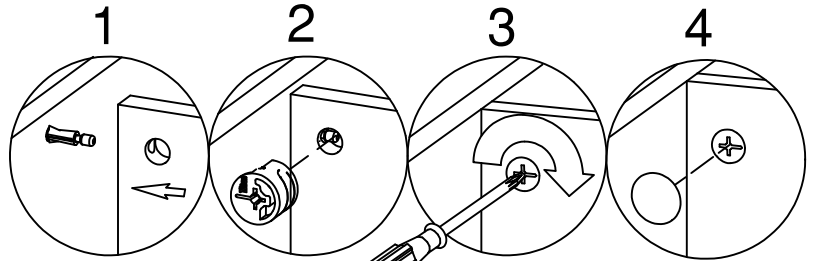


H71659



KD Cam

[2]



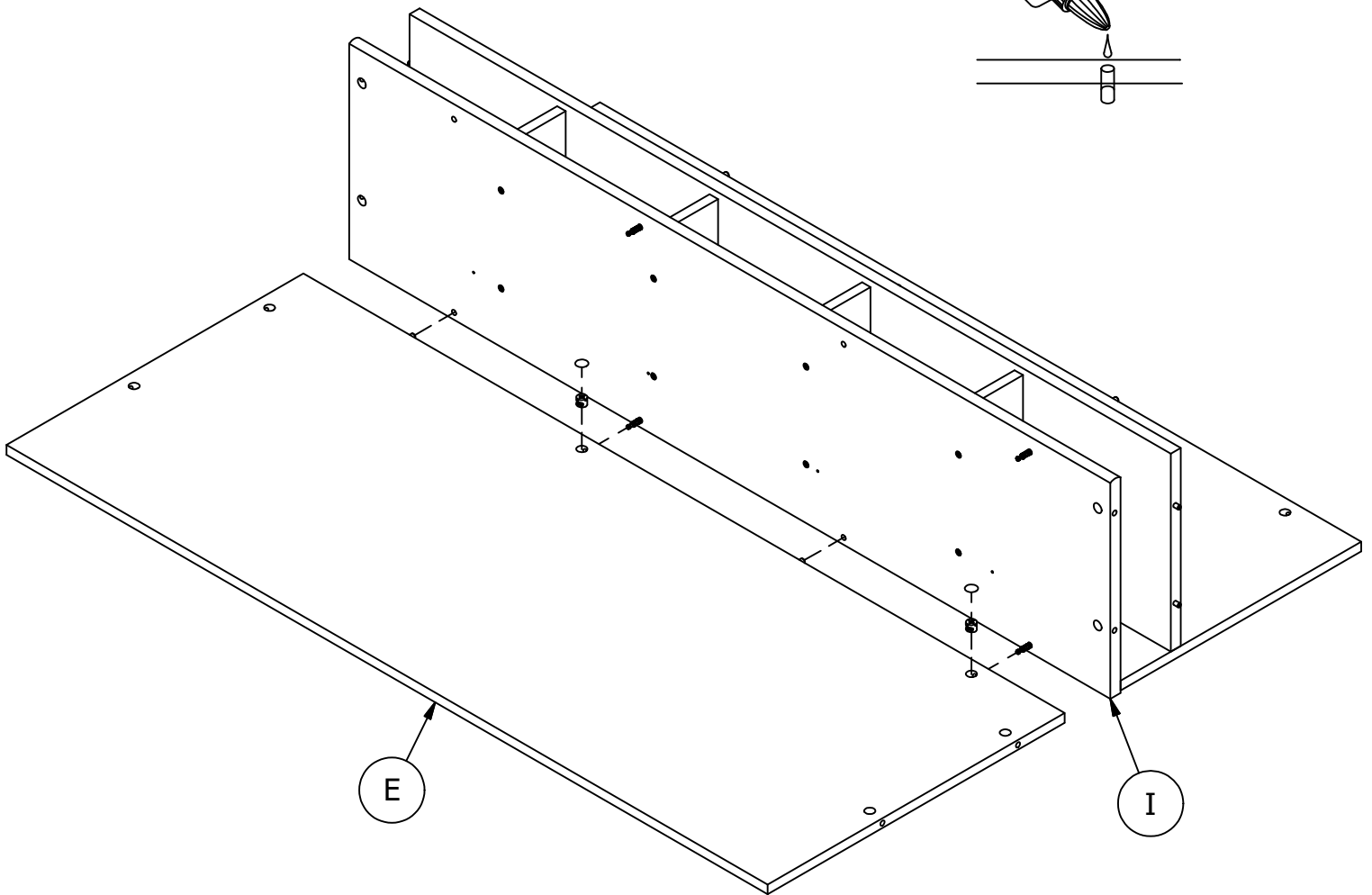
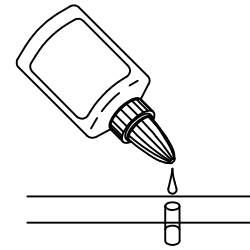
Cover Cap

[2]

H27145



[1]



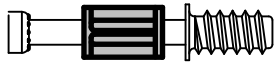
Have an assembly question or need a replacement part? Just call **1-800-950-4782**, we are here to help.

STEP 10

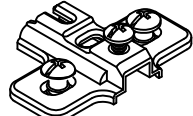
Prepare Panel

A151937C

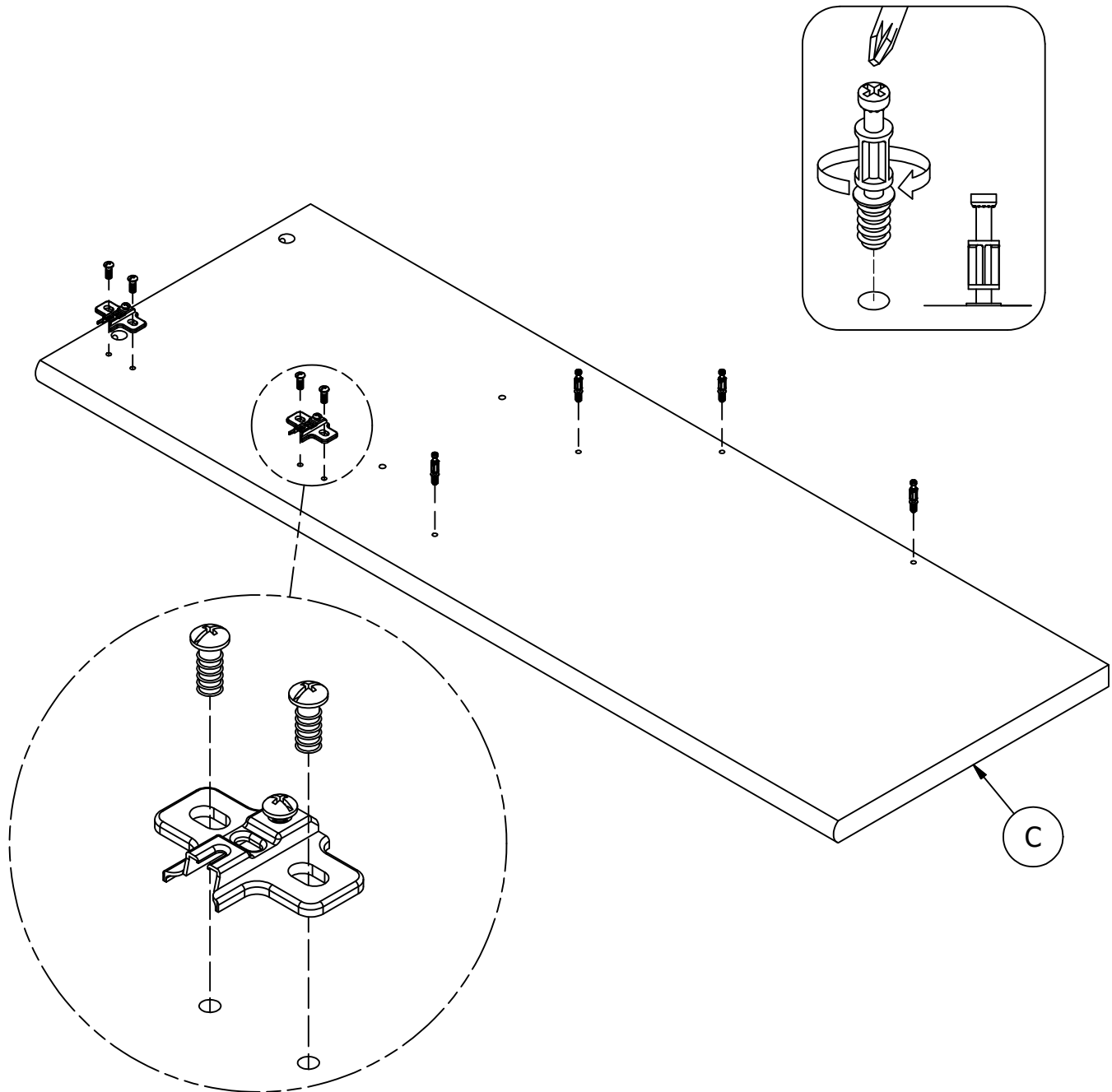
H72988 [4]
KD Bolt



H126364 [2]
Mounting Plate



Mounting Plate



Have an assembly question or need a replacement part? Just call
1-800-950-4782, we are here to help.

STEP 11

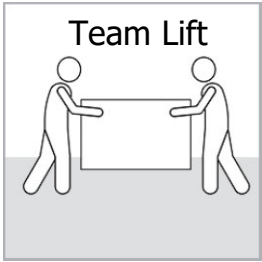
Assemble Panels

A151937C

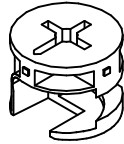
Scan QR Code to Watch Video on:



How to Tighten KD Cams



H71659



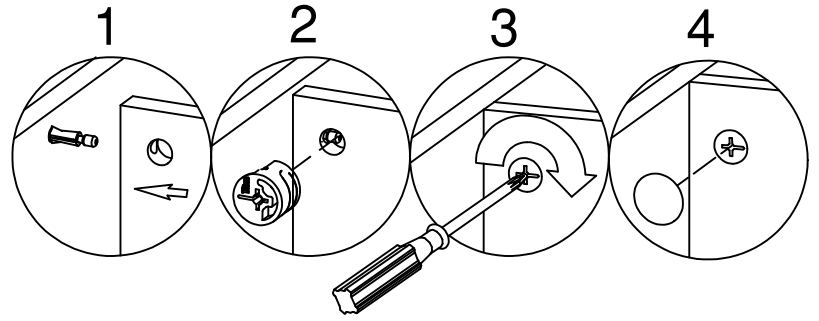
KD Cam

[4]



Cover Cap

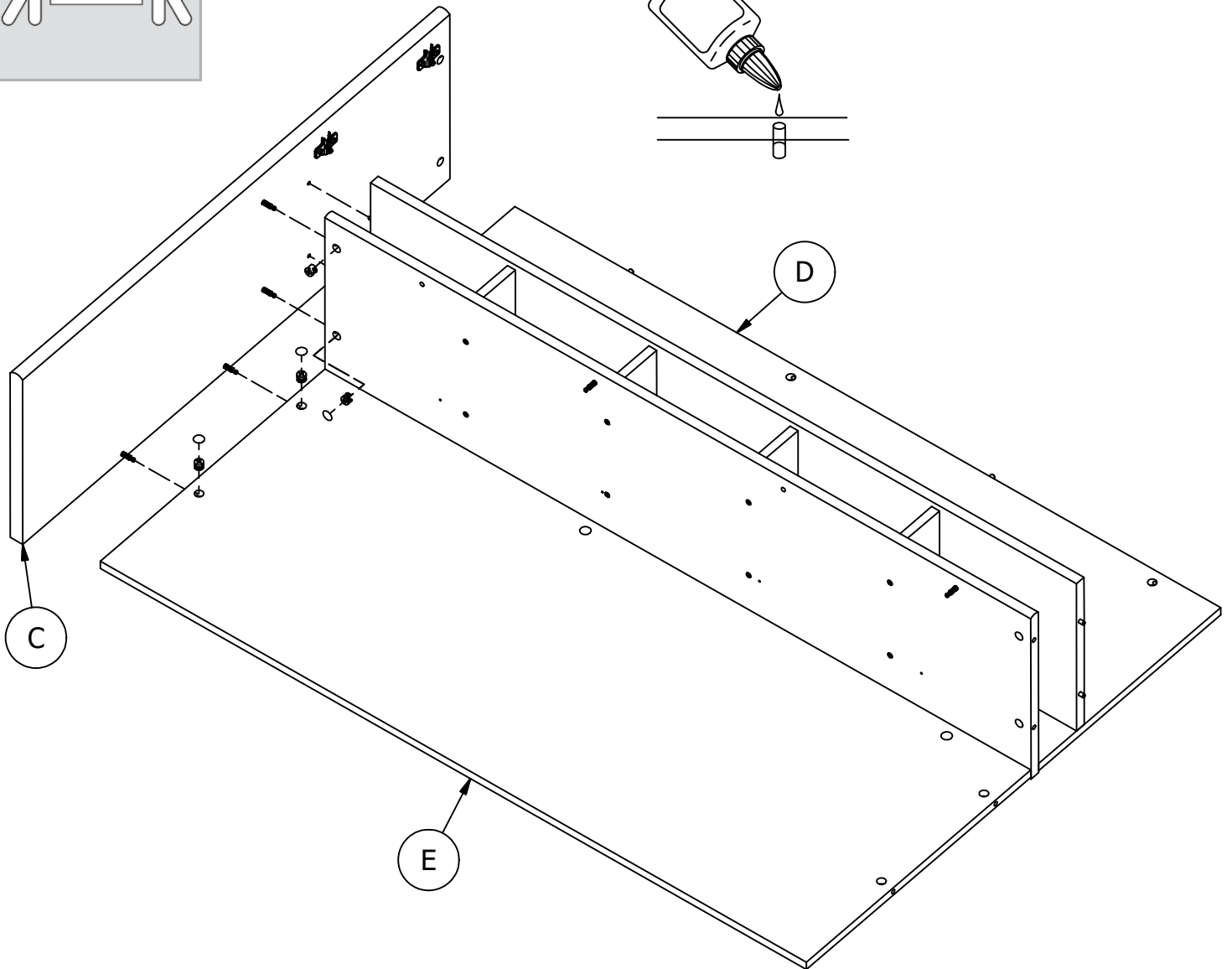
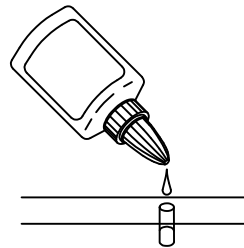
[3]



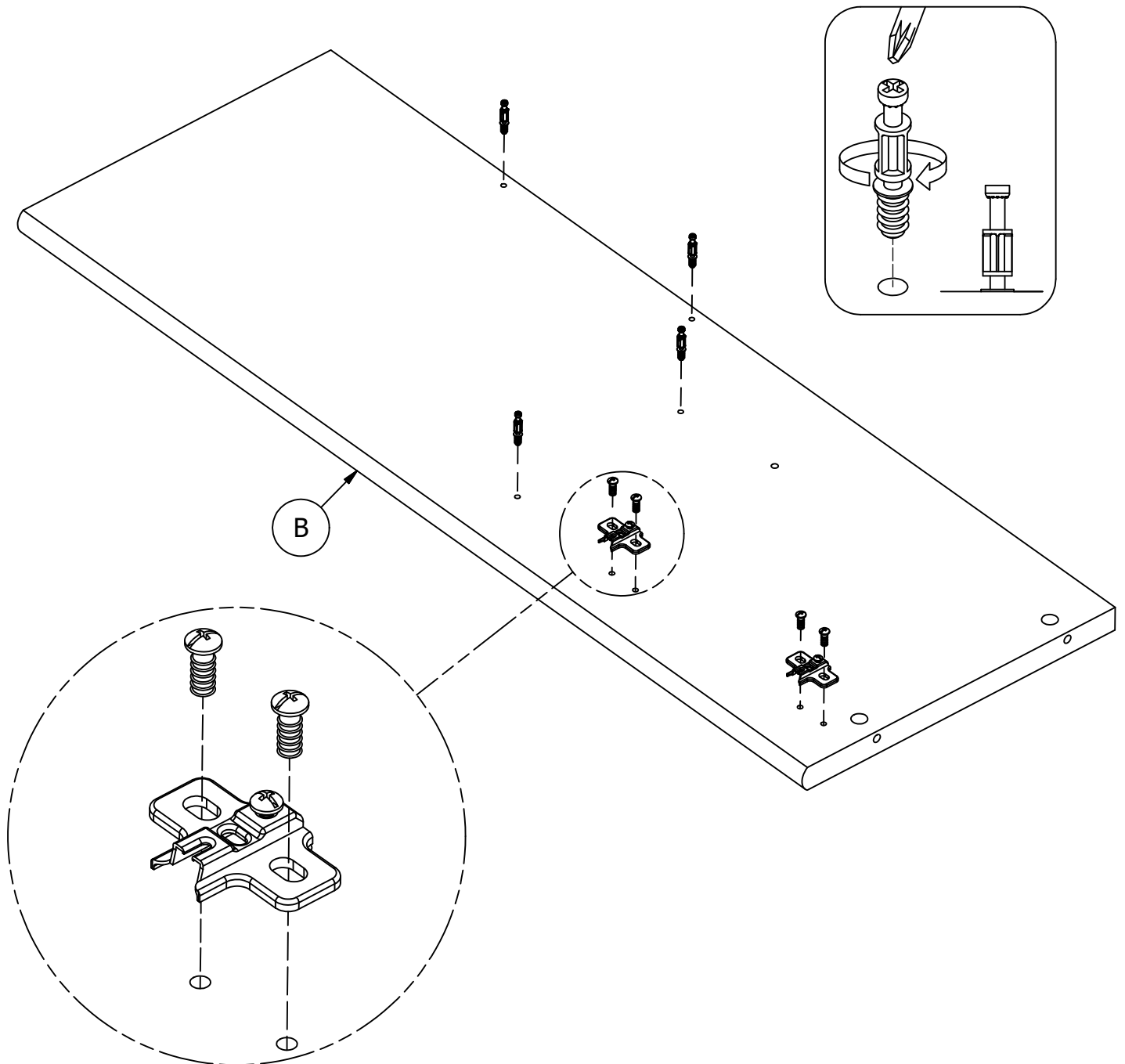
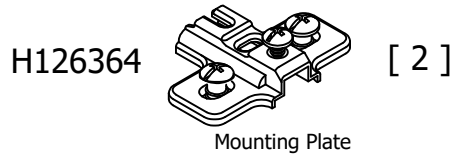
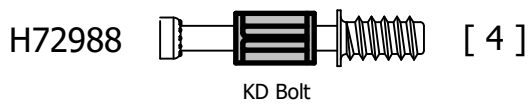
H27145



[1]



Have an assembly question or need a replacement part? Just call **1-800-950-4782**, we are here to help.



Have an assembly question or need a replacement part? Just call
1-800-950-4782, we are here to help.

STEP 13

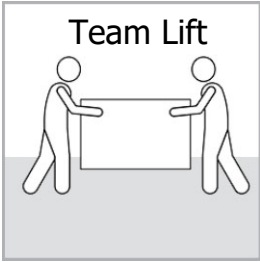
Assemble Panels

A151937C

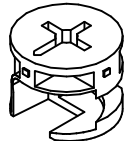
Scan QR Code to Watch Video on:



How to Tighten KD Cams

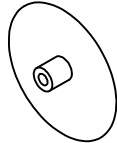


H71659



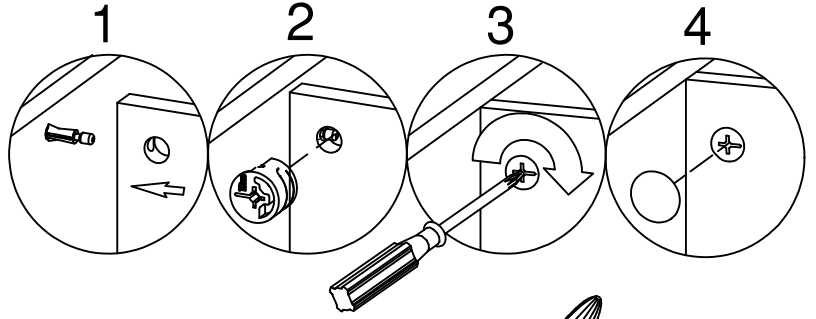
KD Cam

[4]



Cover Cap

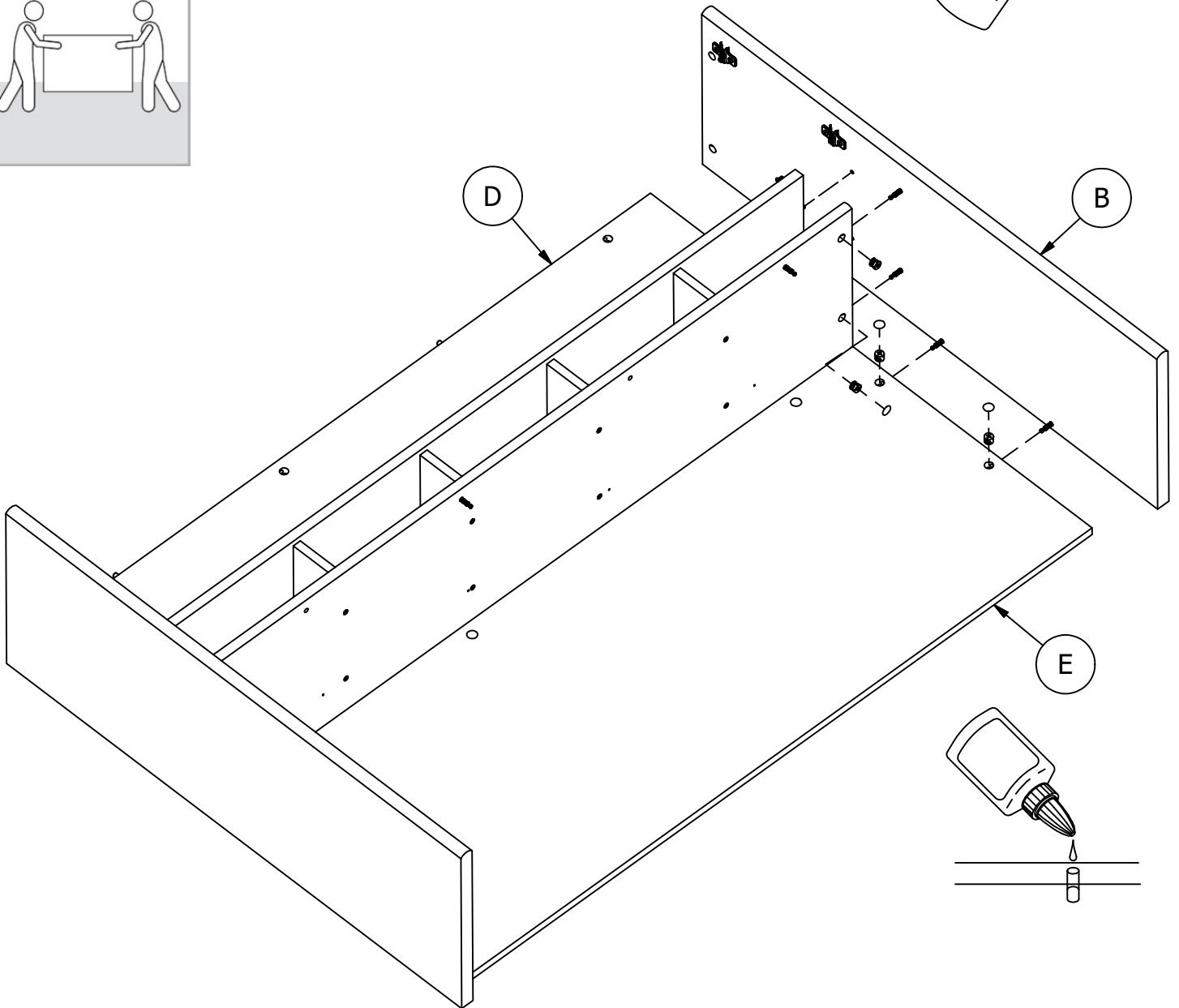
[3]



H27145

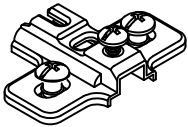


[1]



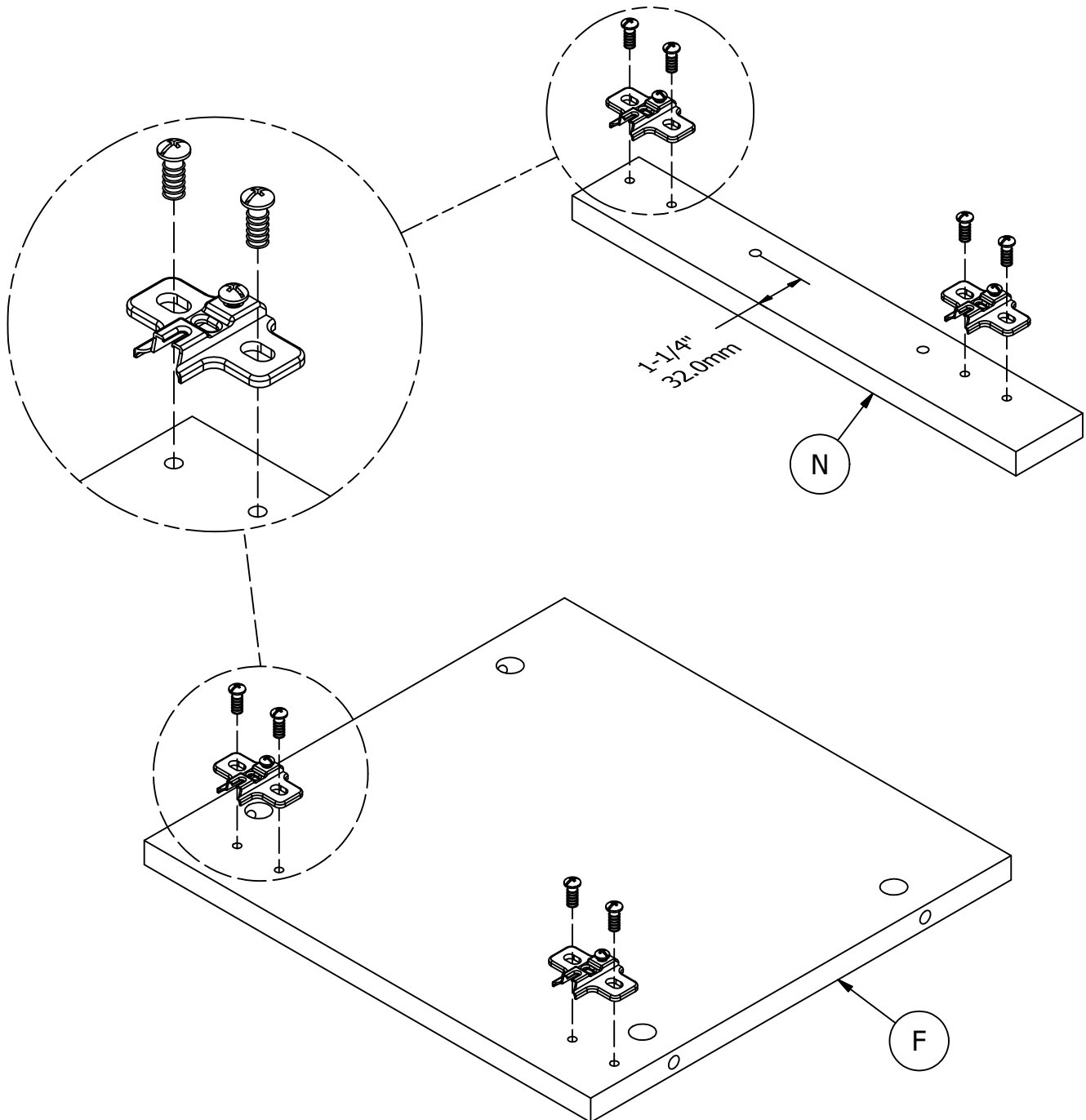
Have an assembly question or need a replacement part? Just call **1-800-950-4782**, we are here to help.

H126364

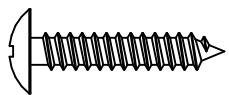


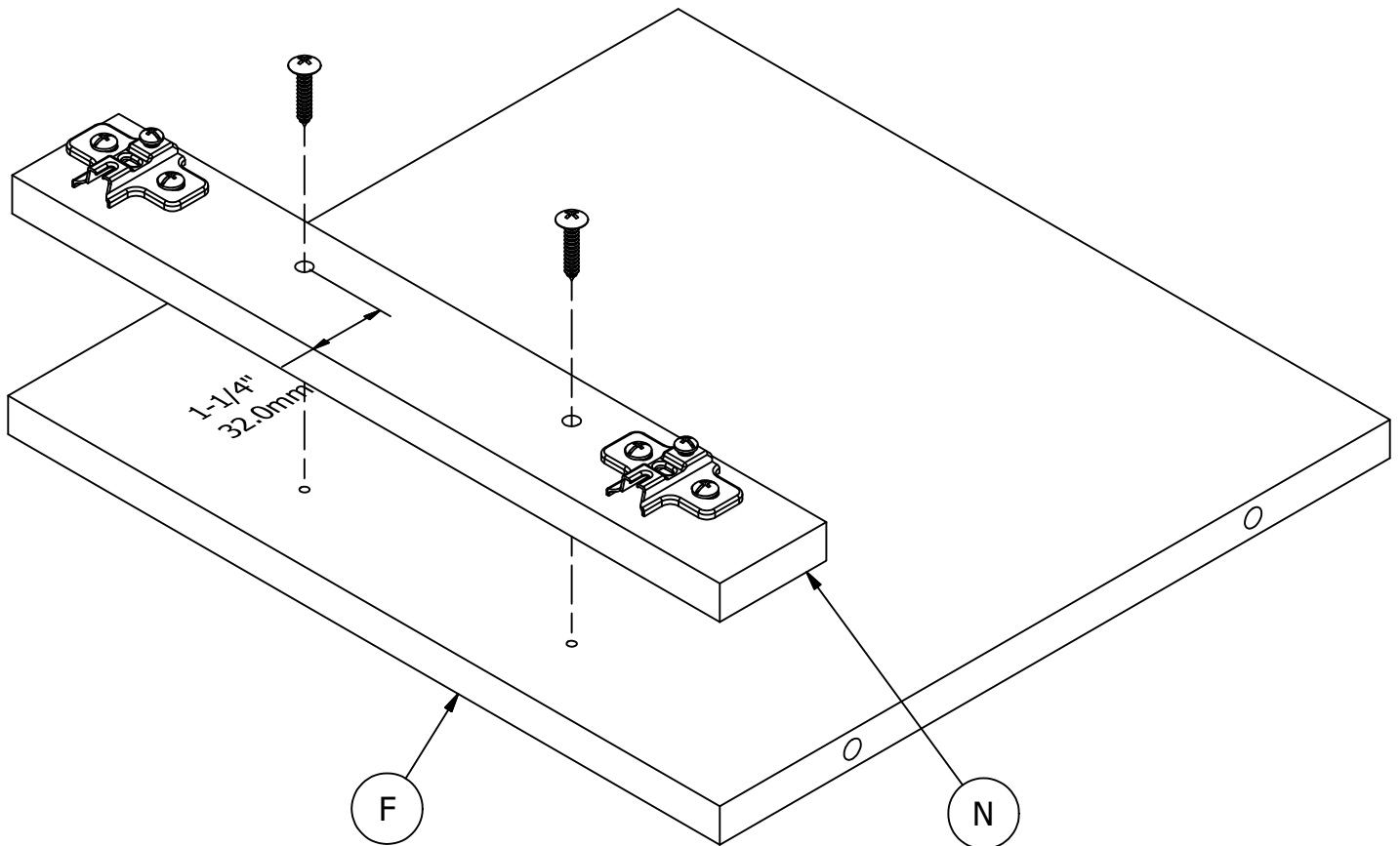
[4]

Mounting Plate



Have an assembly question or need a replacement part? Just call
1-800-950-4782, we are here to help.

H23682  [2]
#10 x 1"



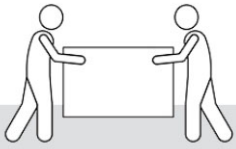
Have an assembly question or need a replacement part? Just call
1-800-950-4782, we are here to help.

Scan QR Code to Watch Video on:

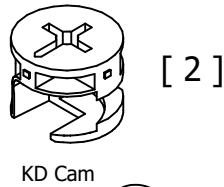


How to Tighten KD Cams

Team Lift

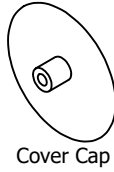


H71659

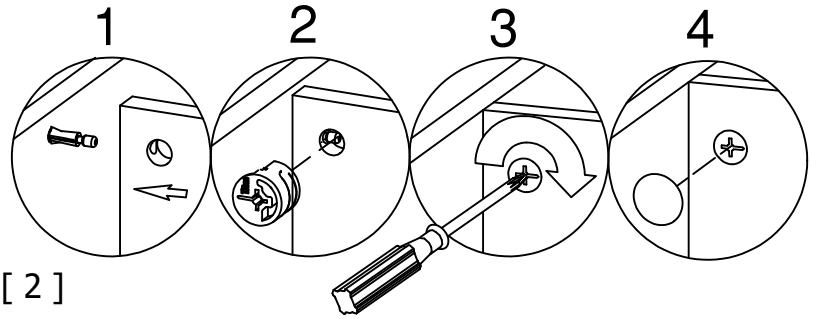


KD Cam

Accent Color



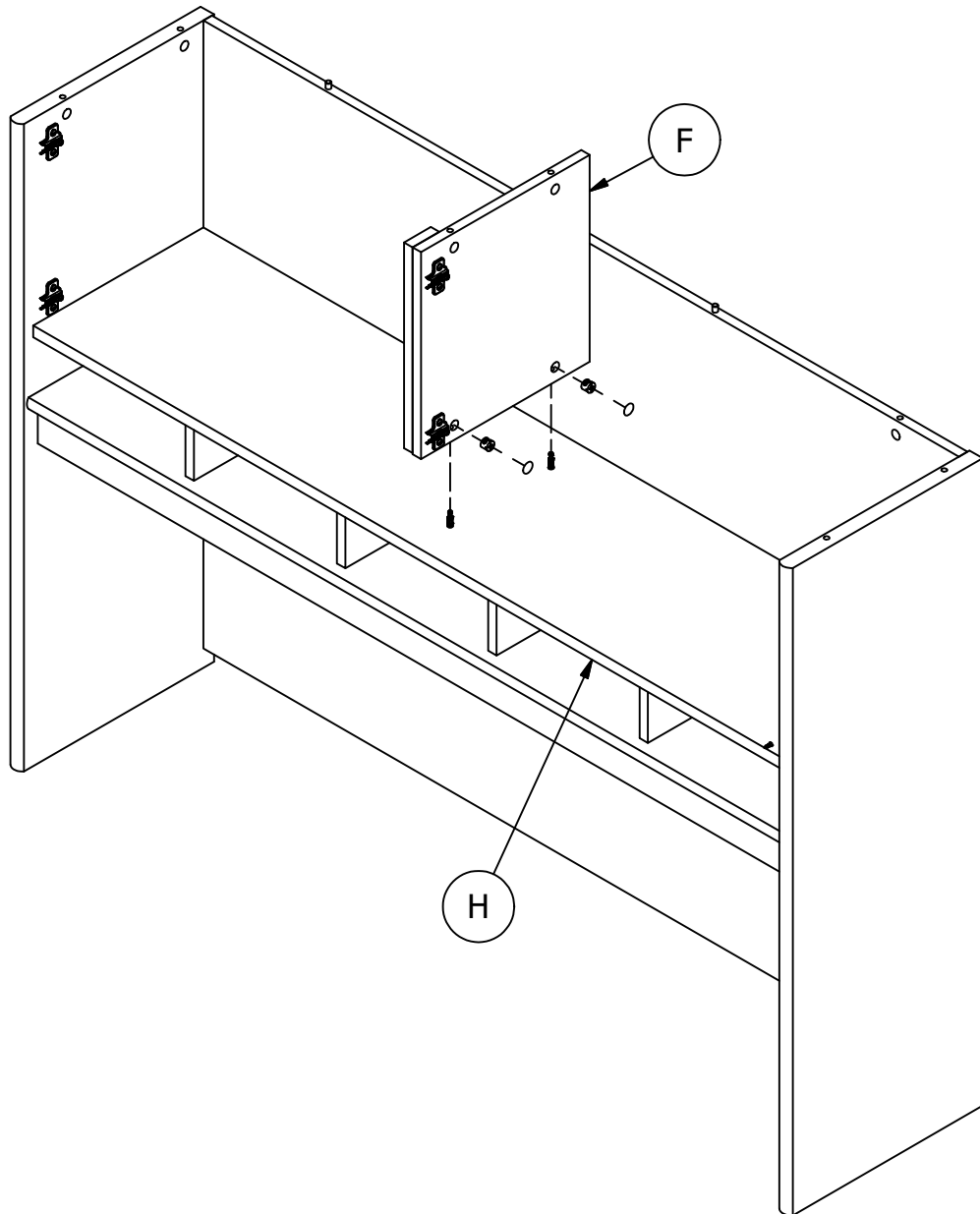
Cover Cap



With an assistant carefully stand unit upright.

Con un asistente cuidadosamente levante la unidad a una posición vertical.

Avec l'aide d'un assistant placez soigneusement l'unité debout.



Have an assembly question or need a replacement part? Just call **1-800-950-4782**, we are here to help.

STEP 17

Prepare Panel

A151937C

H38169



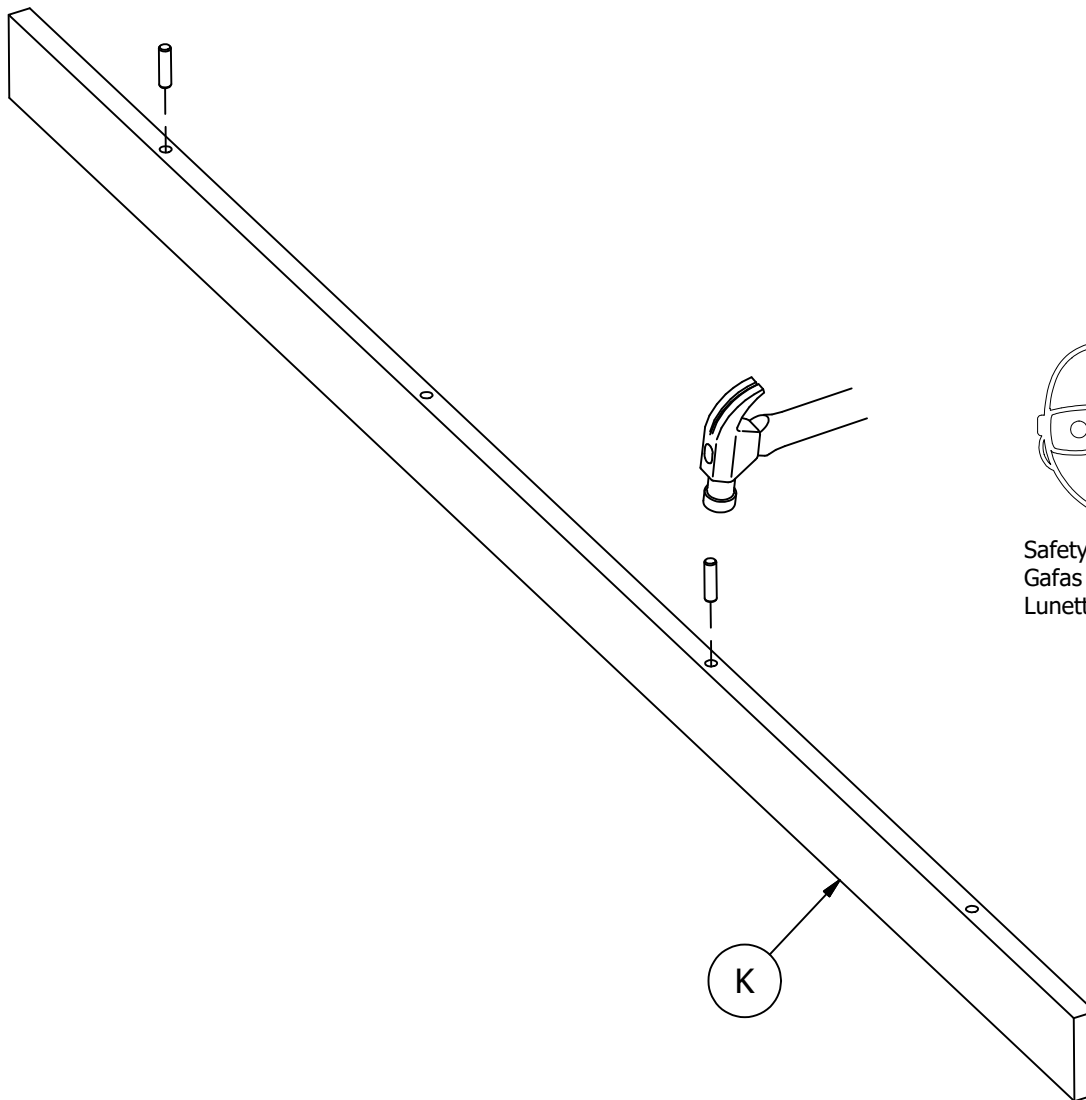
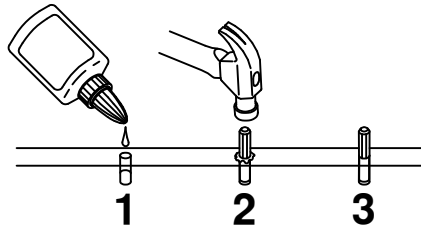
Wood Dowel 8 x 30

[2]

H27145



[1]



Safety glasses
Gafas de seguridad
Lunettes de protection

Have an assembly question or need a replacement part? Just call
1-800-950-4782, we are here to help.

STEP 18

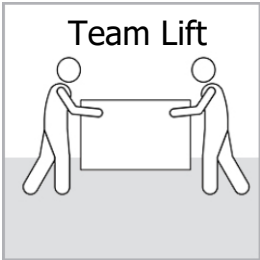
Assemble Panels

A151937C

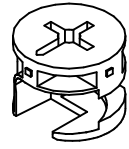
Scan QR Code to Watch Video on:



How to Tighten KD Cams



H71659



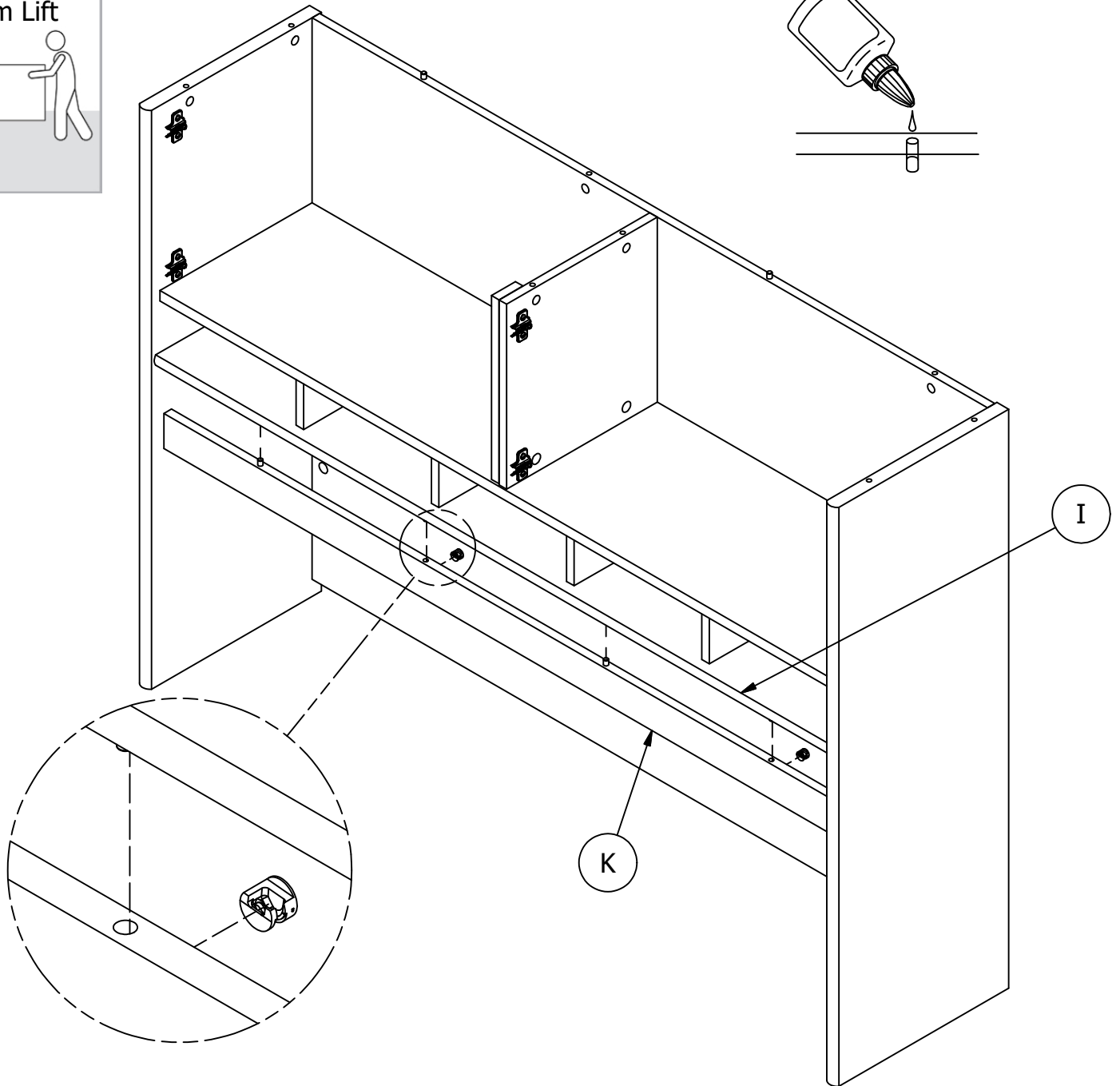
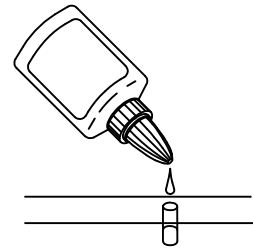
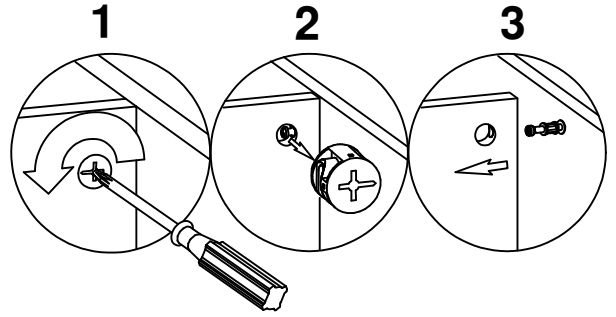
KD Cam

[2]

H27145

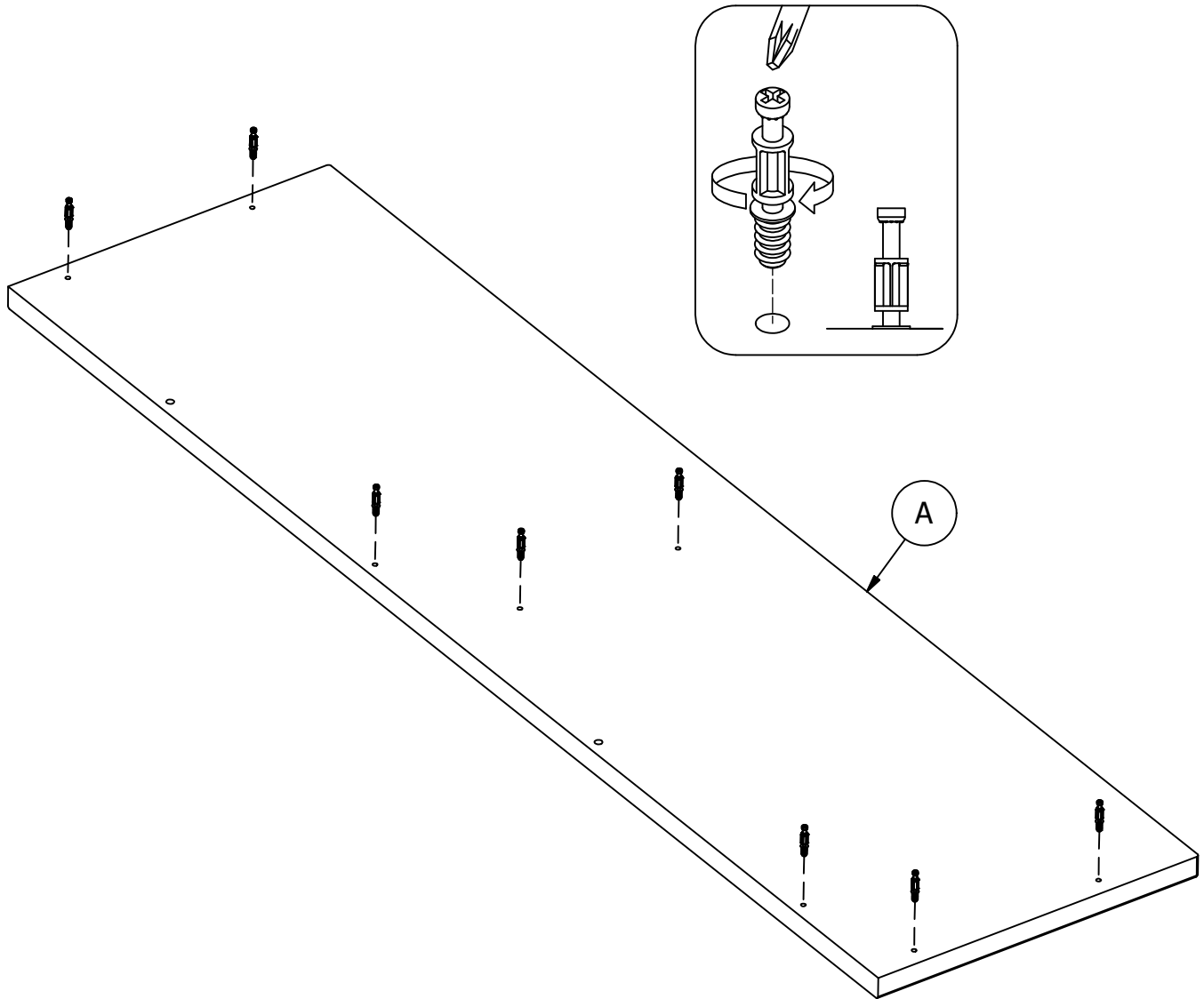


[1]



Have an assembly question or need a replacement part? Just call **1-800-950-4782**, we are here to help.

H72988 [8]
KD Bolt



Have an assembly question or need a replacement part? Just call
1-800-950-4782, we are here to help.

STEP 20

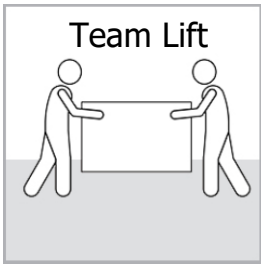
Assemble Panels

A151937C

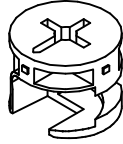
Scan QR Code to Watch Video on:



How to Tighten KD Cams

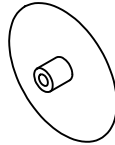
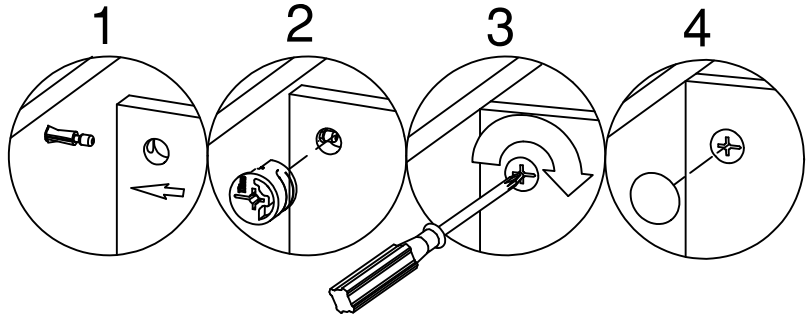


H71659



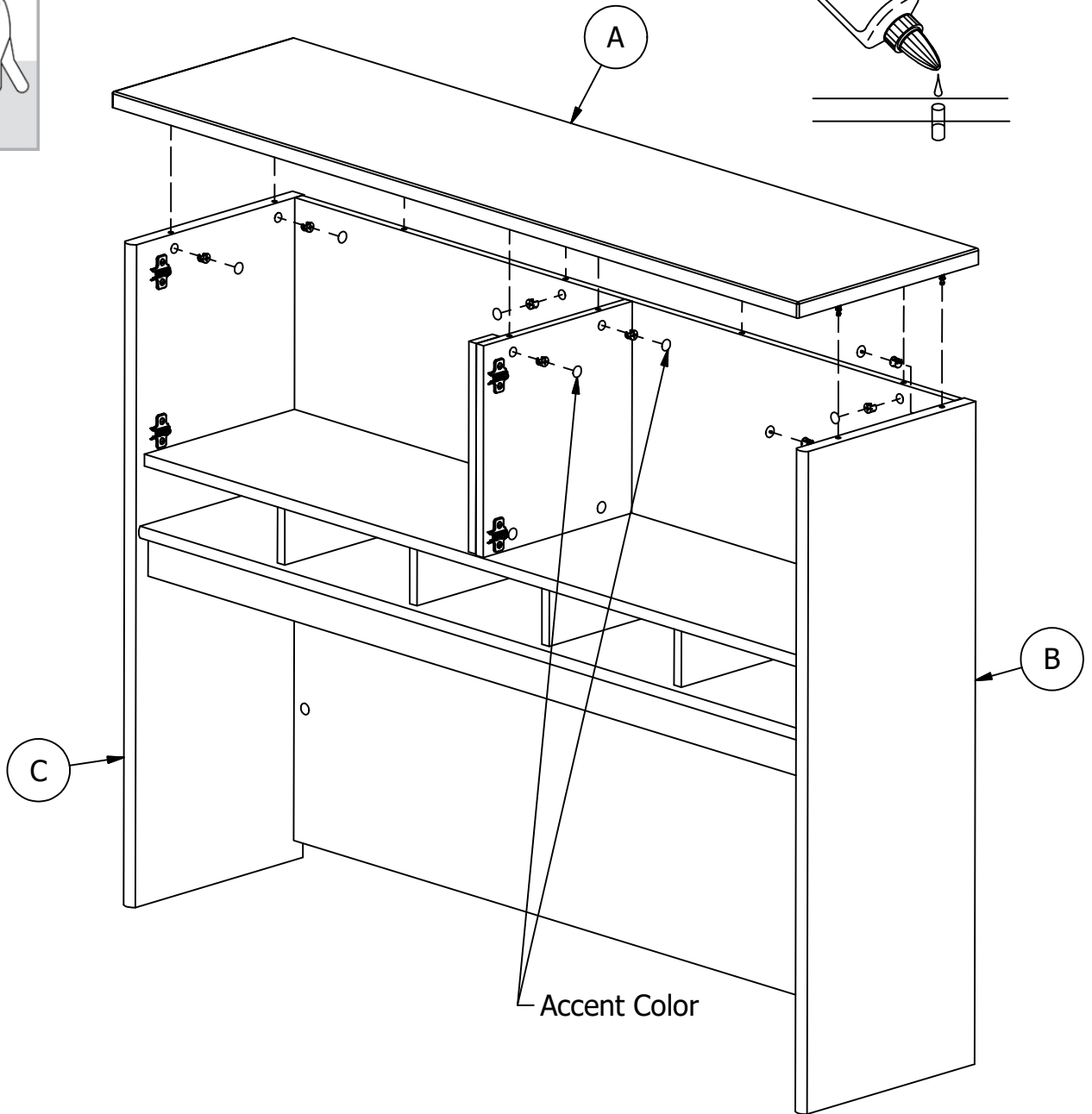
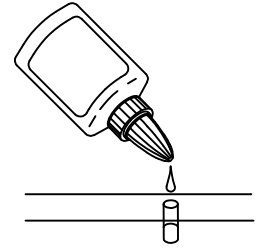
KD Cam

[8]



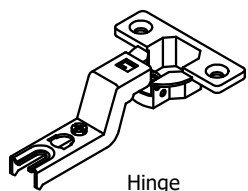
Cover Cap

[8 or 6 plus 2 Accent Color]



Have an assembly question or need a replacement part? Just call **1-800-950-4782**, we are here to help.

H126757



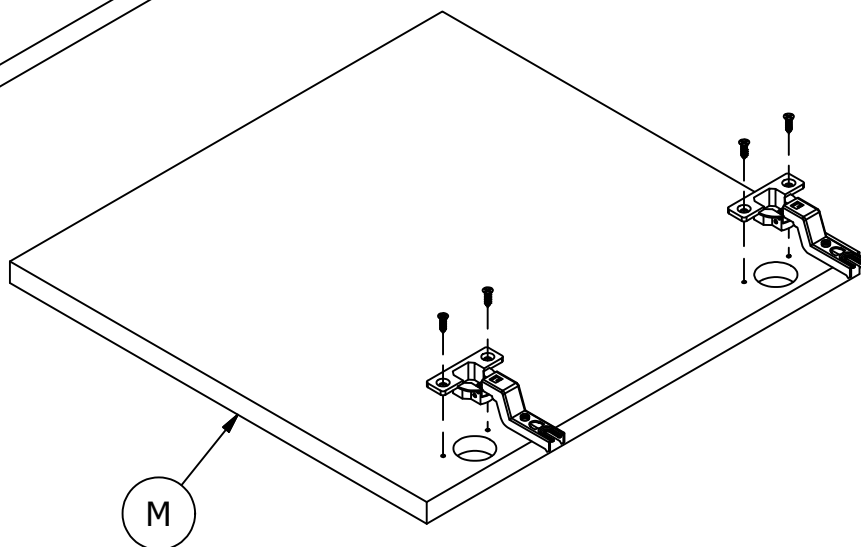
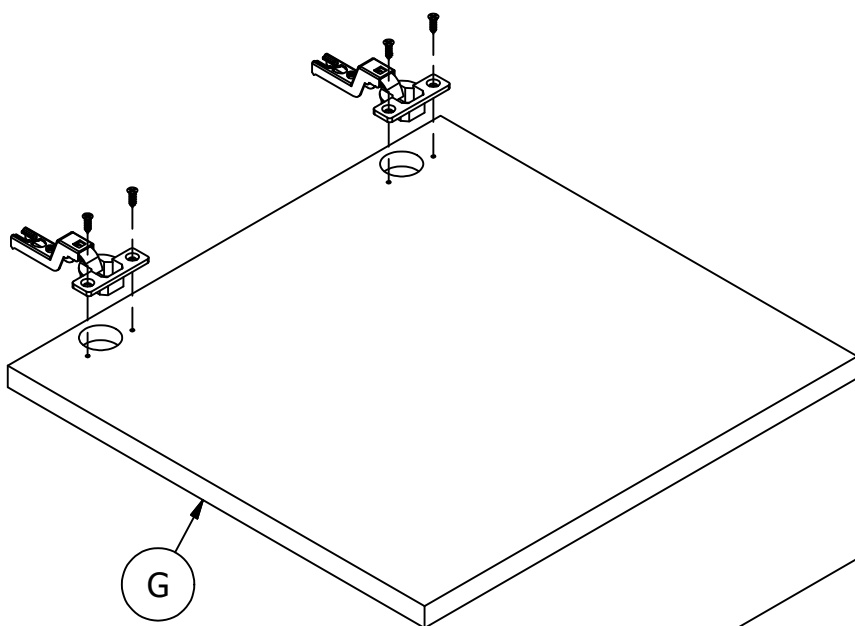
[4]

H28917



[8]

#6 x 1/2" Silver



Have an assembly question or need a replacement part? Just call
1-800-950-4782, we are here to help.

STEP 22

Attach Doors

A151937C

Scan QR Code to Watch Video on:



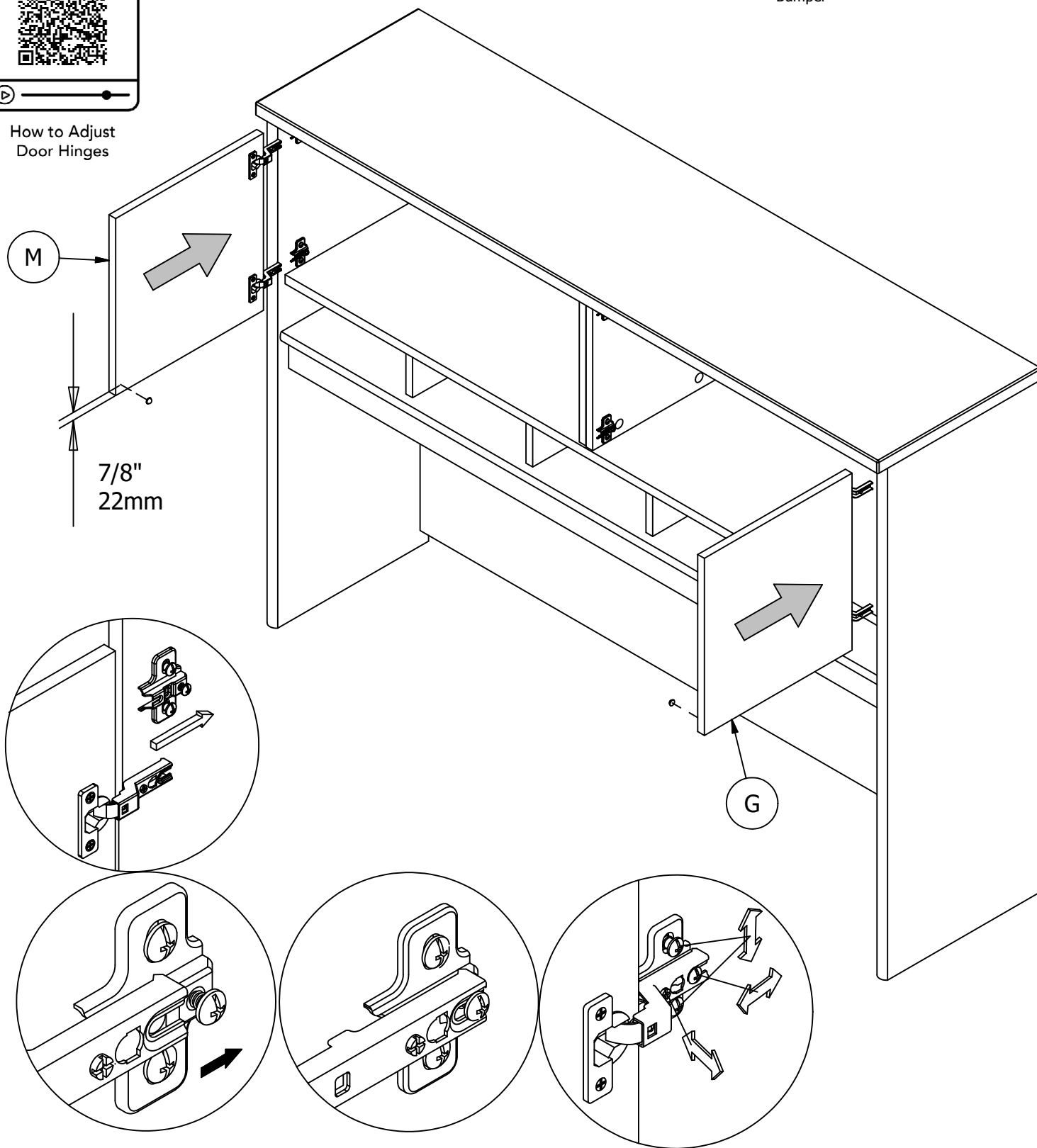
How to Adjust Door Hinges

H29206



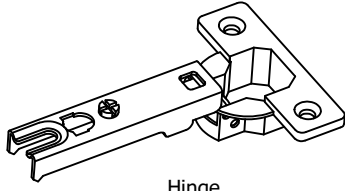
[2]

Bumper



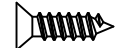
Have an assembly question or need a replacement part? Just call **1-800-950-4782**, we are here to help.

H126359



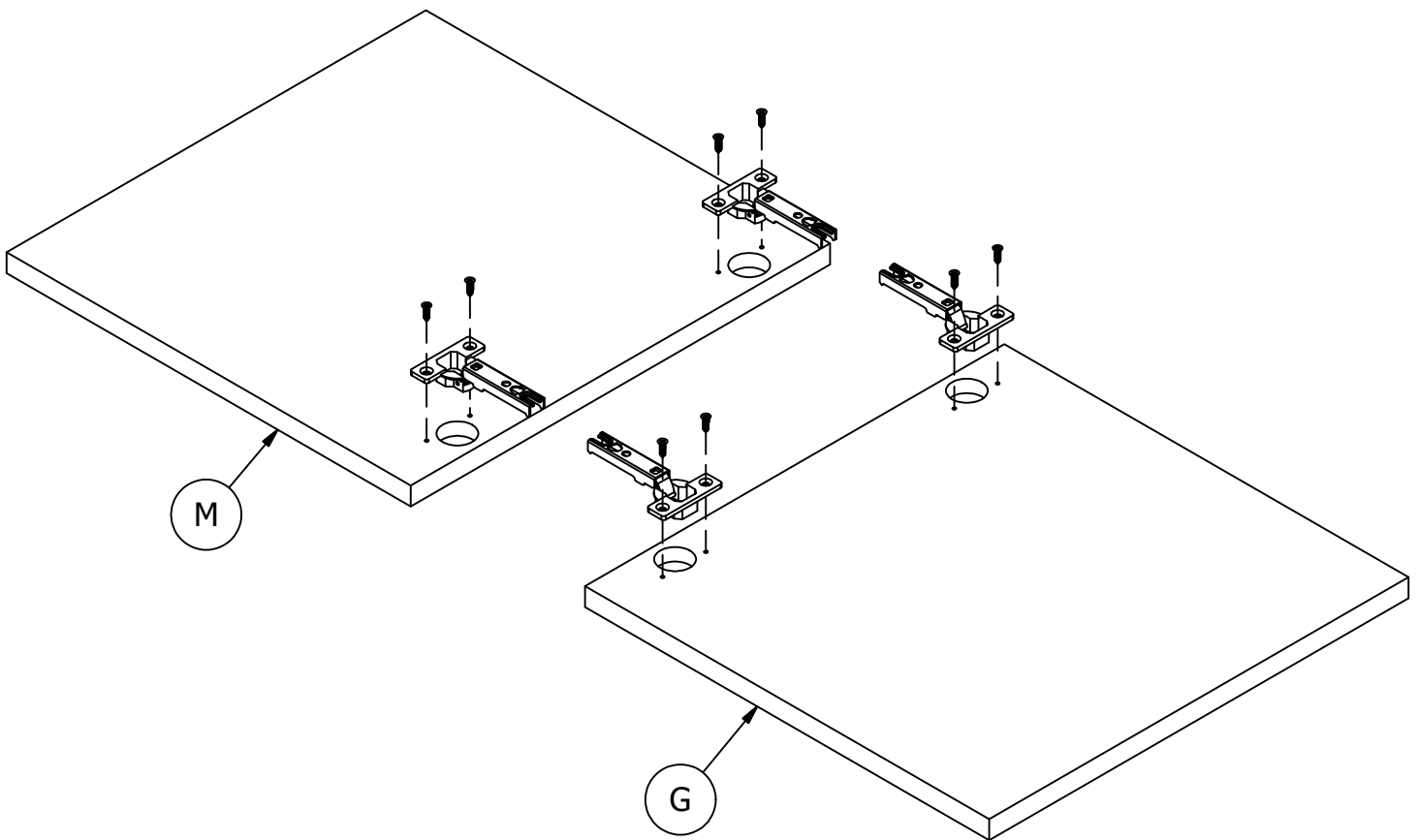
[4]

H28917



[8]

#6 x 1/2" Silver



Have an assembly question or need a replacement part? Just call
1-800-950-4782, we are here to help.

Scan QR Code to
Watch Video on:



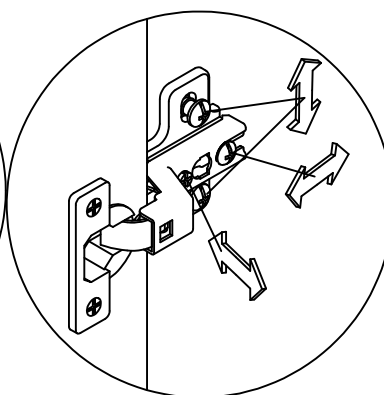
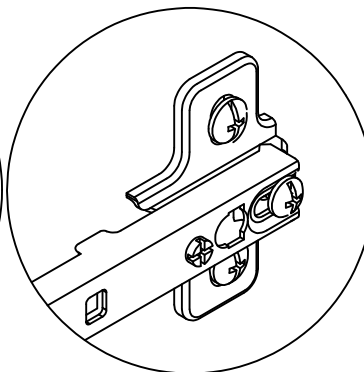
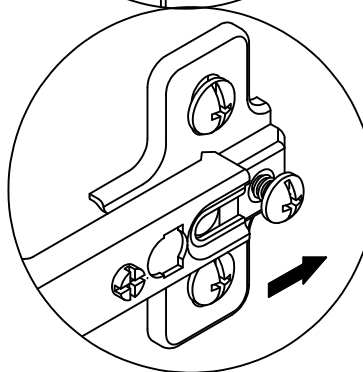
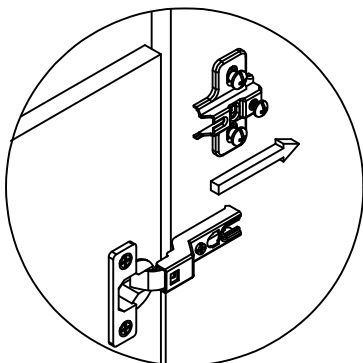
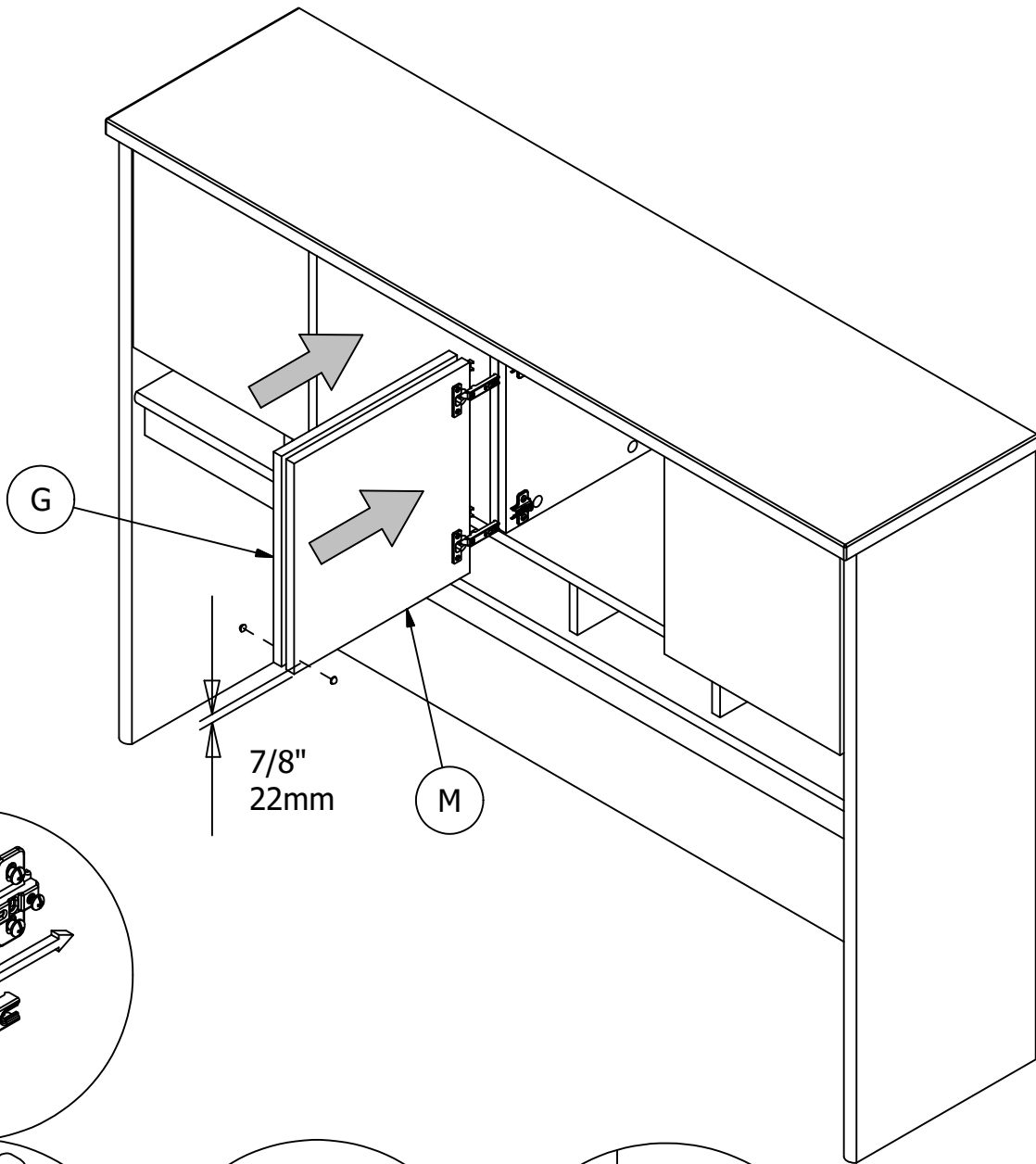
How to Adjust
Door Hinges

H29206

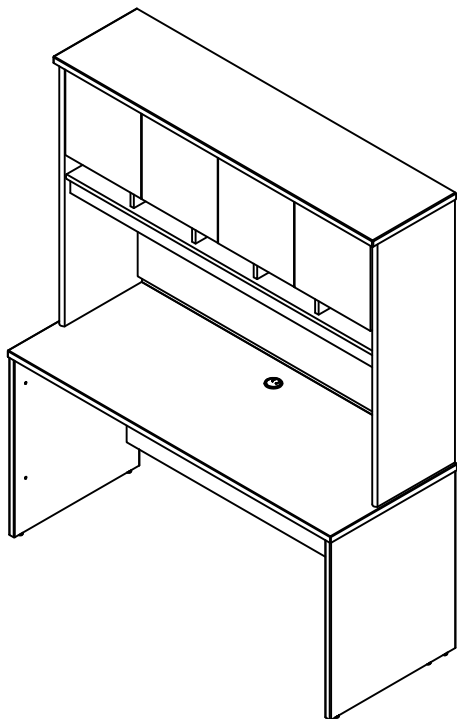


[2]

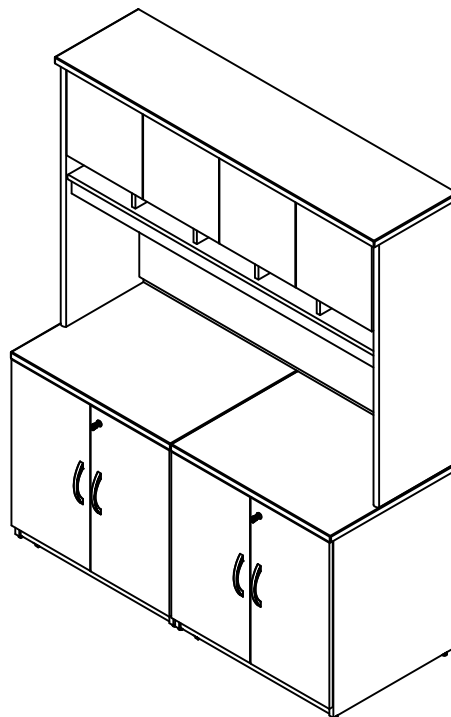
Bumper



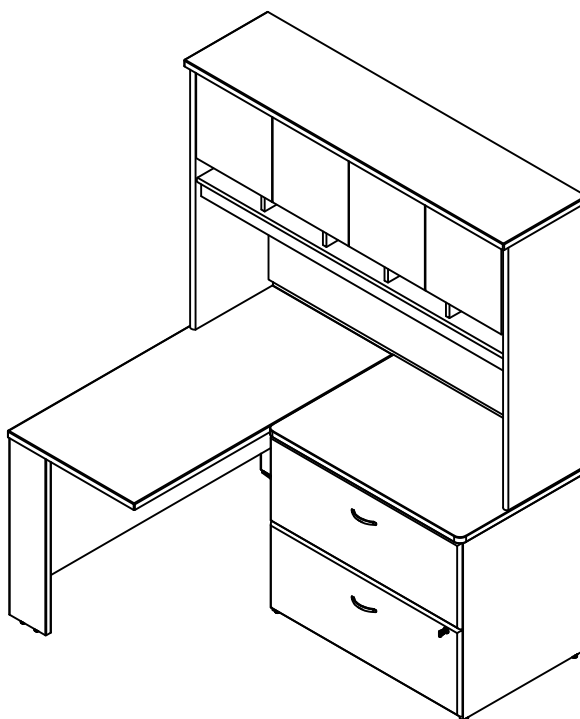
Have an assembly question or need a replacement part? Just call
1-800-950-4782, we are here to help.



Proceed to step 26.
Continúe con el paso 26.
Passez à l'étape 26.

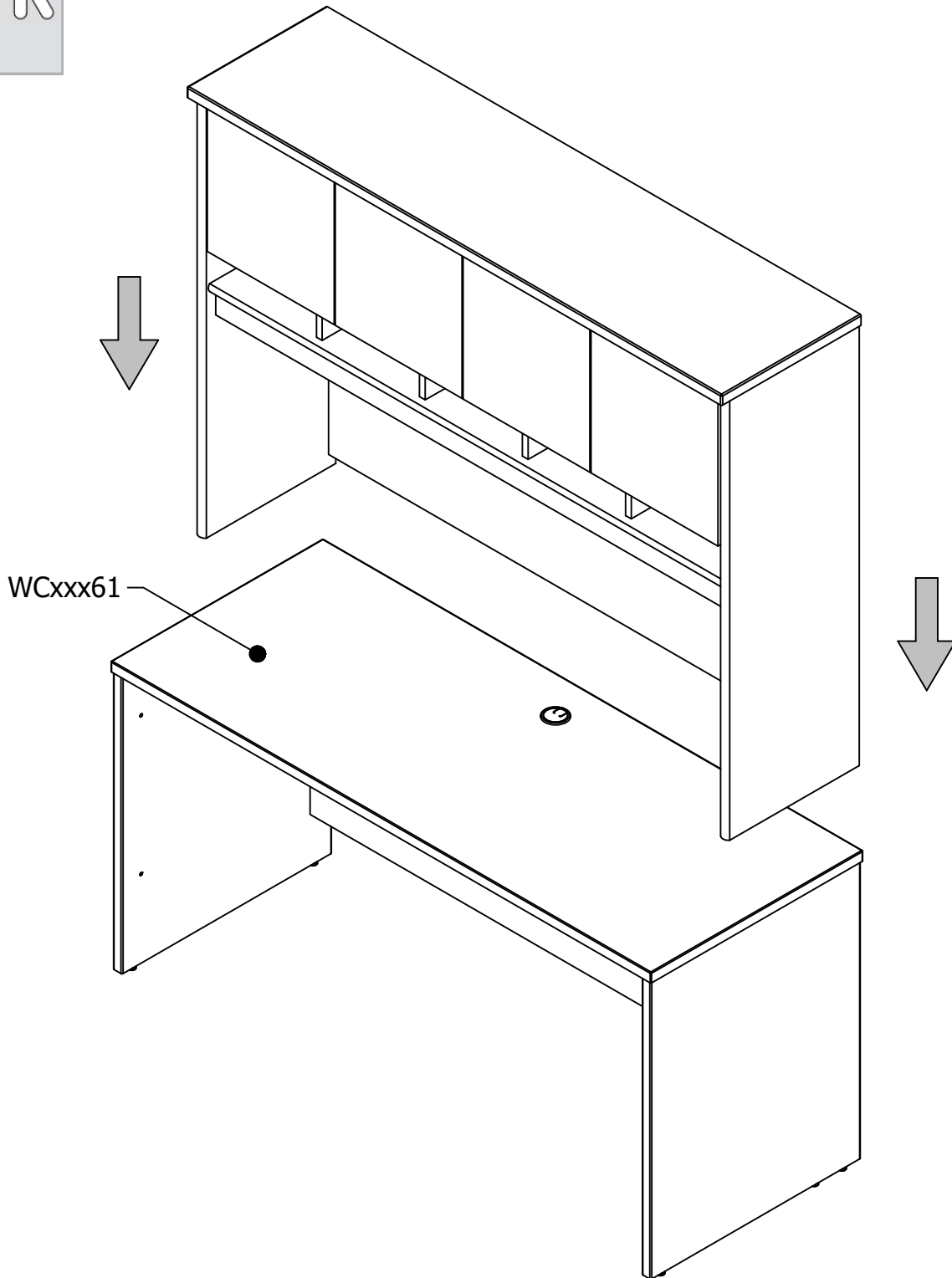
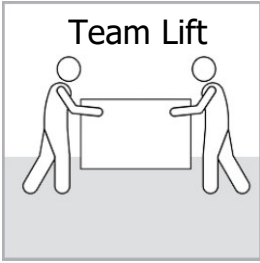


Proceed to step 28.
Continúe con el paso 28.
Passez à l'étape 28.



Proceed to step 30.
Continúe con el paso 30.
Passez à l'étape 30.

Have an assembly question or need a replacement part? Just call
1-800-950-4782, we are here to help.

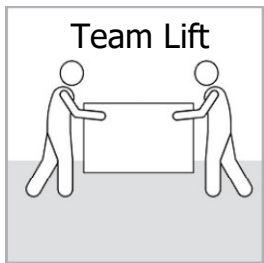



Have an assembly question or need a replacement part? Just call **1-800-950-4782**, we are here to help.

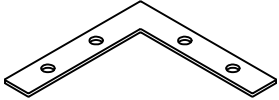
STEP 27

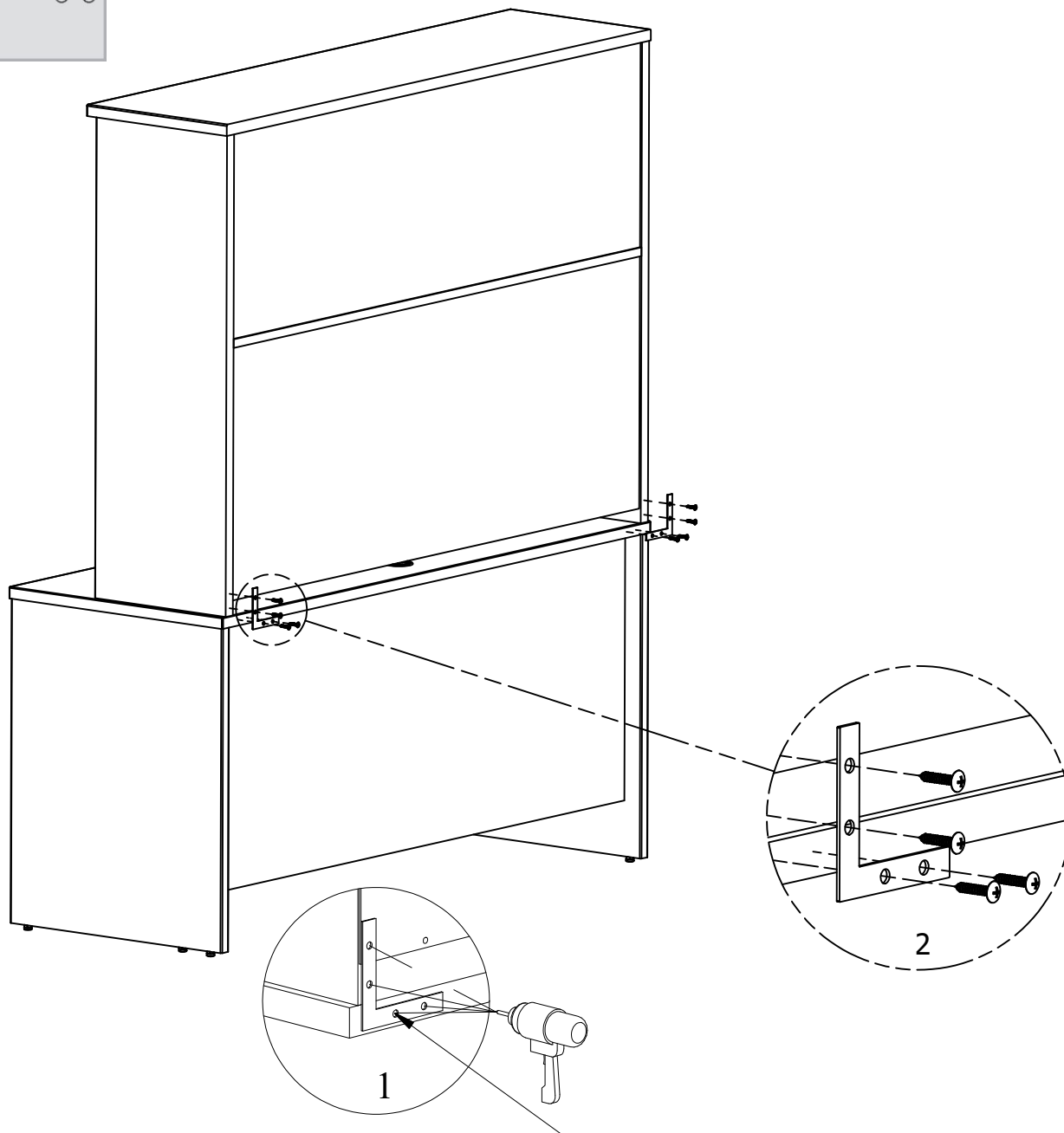
Attach Hutch

A151937C



H23682  [8]
#10 x 1"

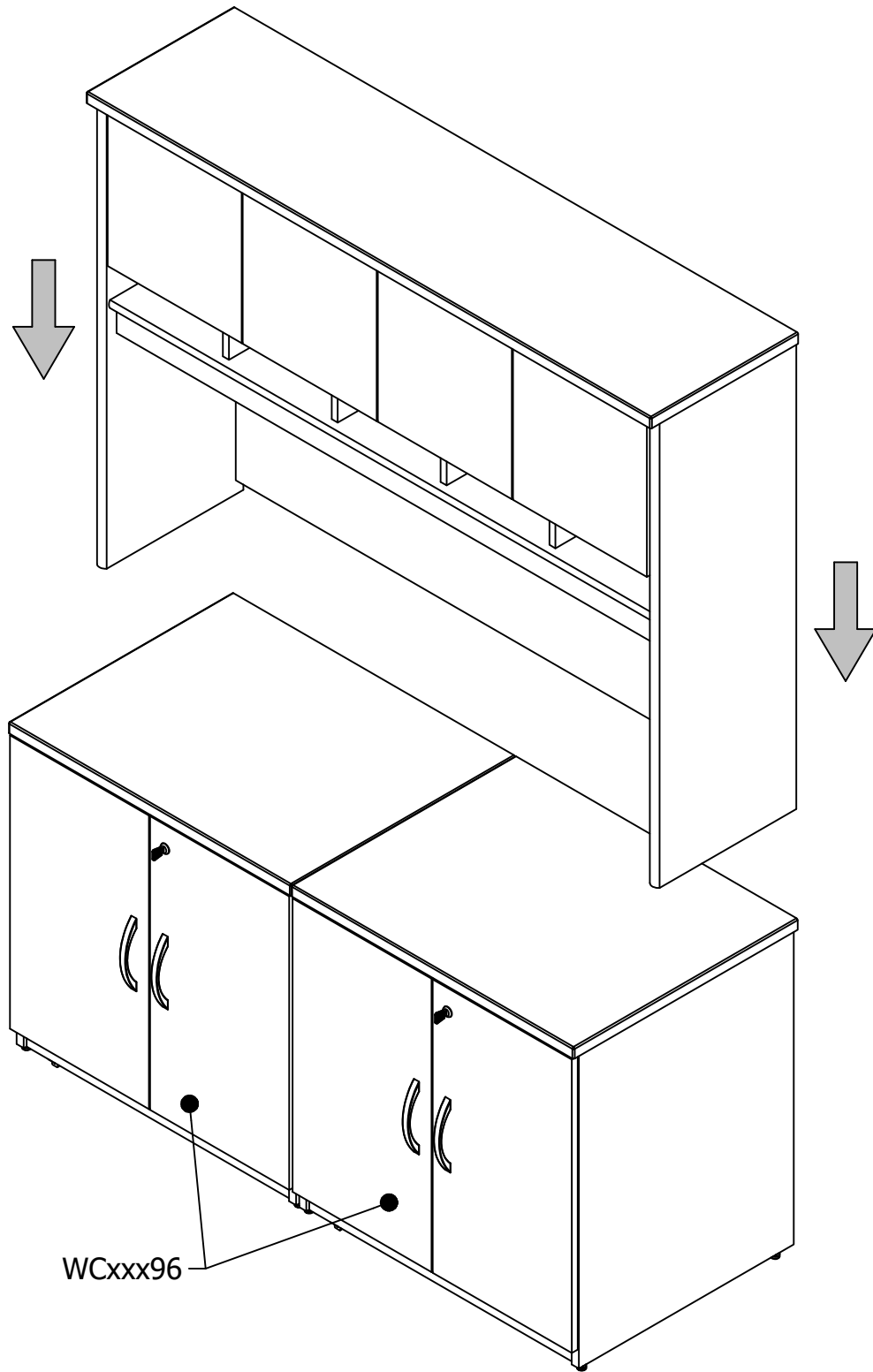
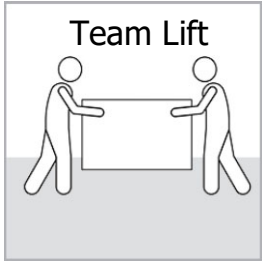
H85966  [2]
Bracket



Drill (8) 1/8" holes 3/4" deep.
Perfore (8) agujeros de 3mm a 19mm de profundido.
Percer (8) trous de 3mm de diamètre et 19mm de profondeur.

Proceed to step 32.
Continúe con el paso 32.
Passez à l'étape 32.

Have an assembly question or need a replacement part? Just call
1-800-950-4782, we are here to help.



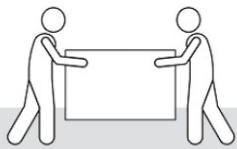
Have an assembly question or need a replacement part? Just call **1-800-950-4782**, we are here to help.

STEP 29

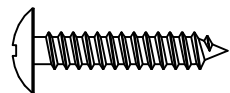
Attach Hutch

A151937C

Team Lift



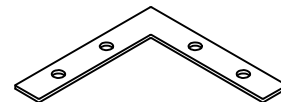
H23682



[8]

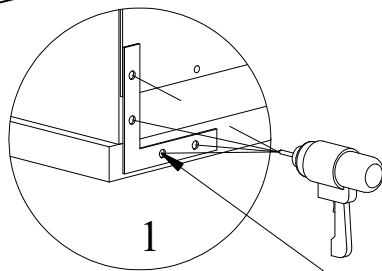
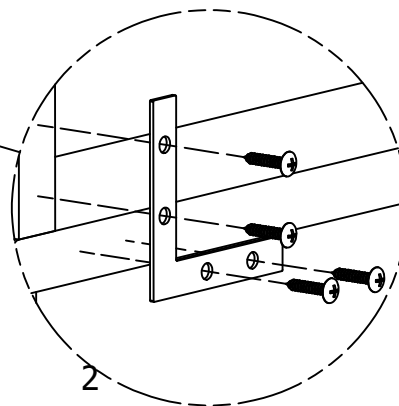
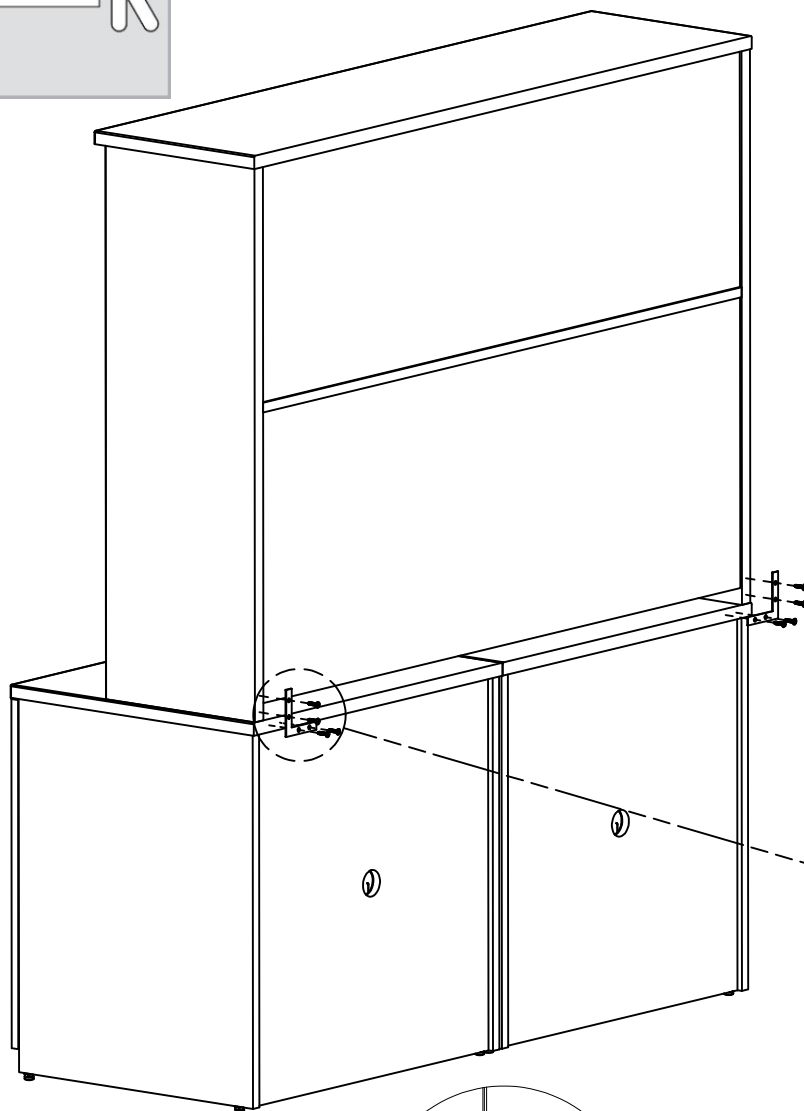
#10 x 1"

H85966



[2]

Bracket



Drill (8) 1/8" holes 3/4" deep.

Perfore (8) agujeros de 3mm a 19mm de profundidad.

Percer (8) trous de 3mm de diamètre et 19mm de profondeur.

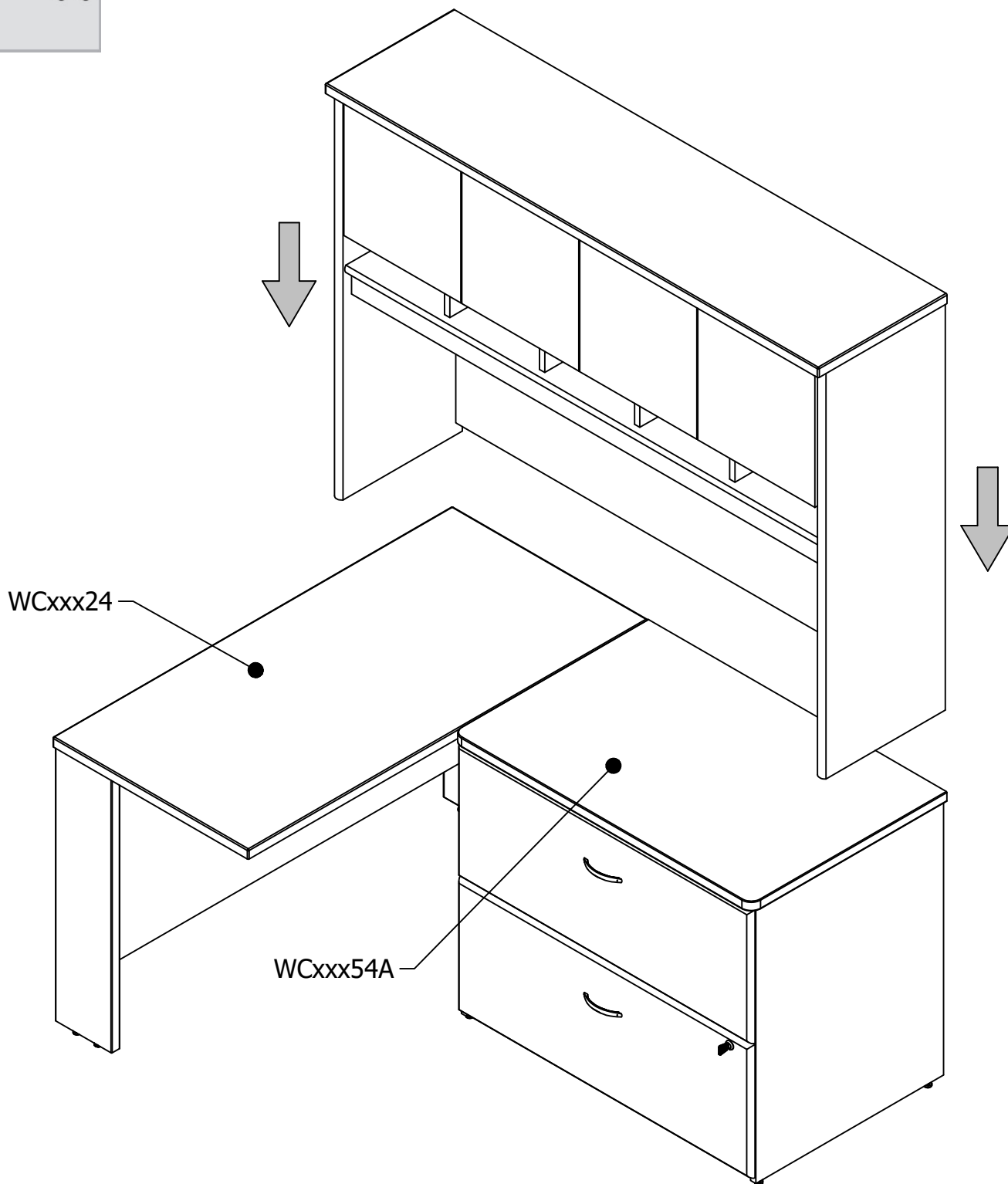
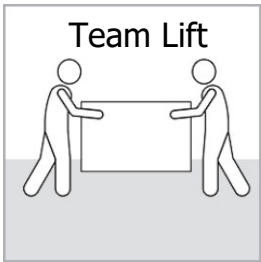
Proceed to step 32.

Continúe con el paso 32.

Passez à l'étape 32.

Have an assembly question or need a replacement part? Just call

1-800-950-4782, we are here to help.

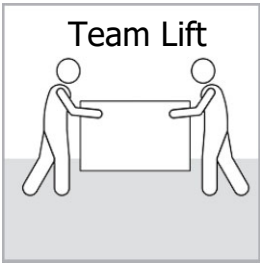



Have an assembly question or need a replacement part? Just call **1-800-950-4782**, we are here to help.

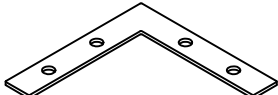
STEP 31

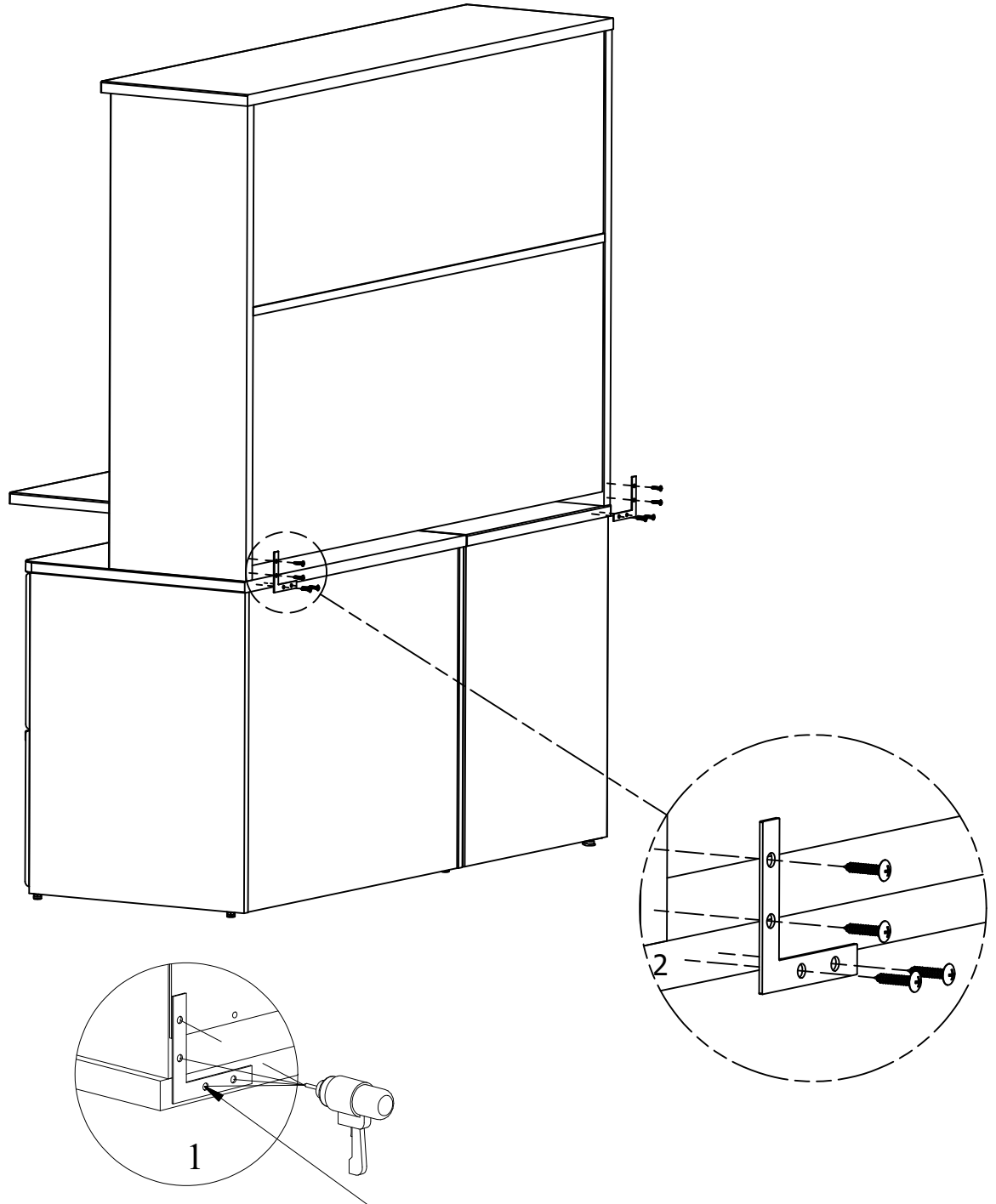
Attach Hutch

A151937C



H23682  [8]
#10 x 1"

H85966  [2]
Bracket



Drill (8) 1/8" holes 3/4" deep.
Perfore (8) agujeros de 3mm a 19mm de profundo.
Percer (8) trous de 3mm de diamètre et 19mm de profondeur.

Have an assembly question or need a replacement part? Just call
1-800-950-4782, we are here to help.

Secure unit to the wall with a tip-over restraint.

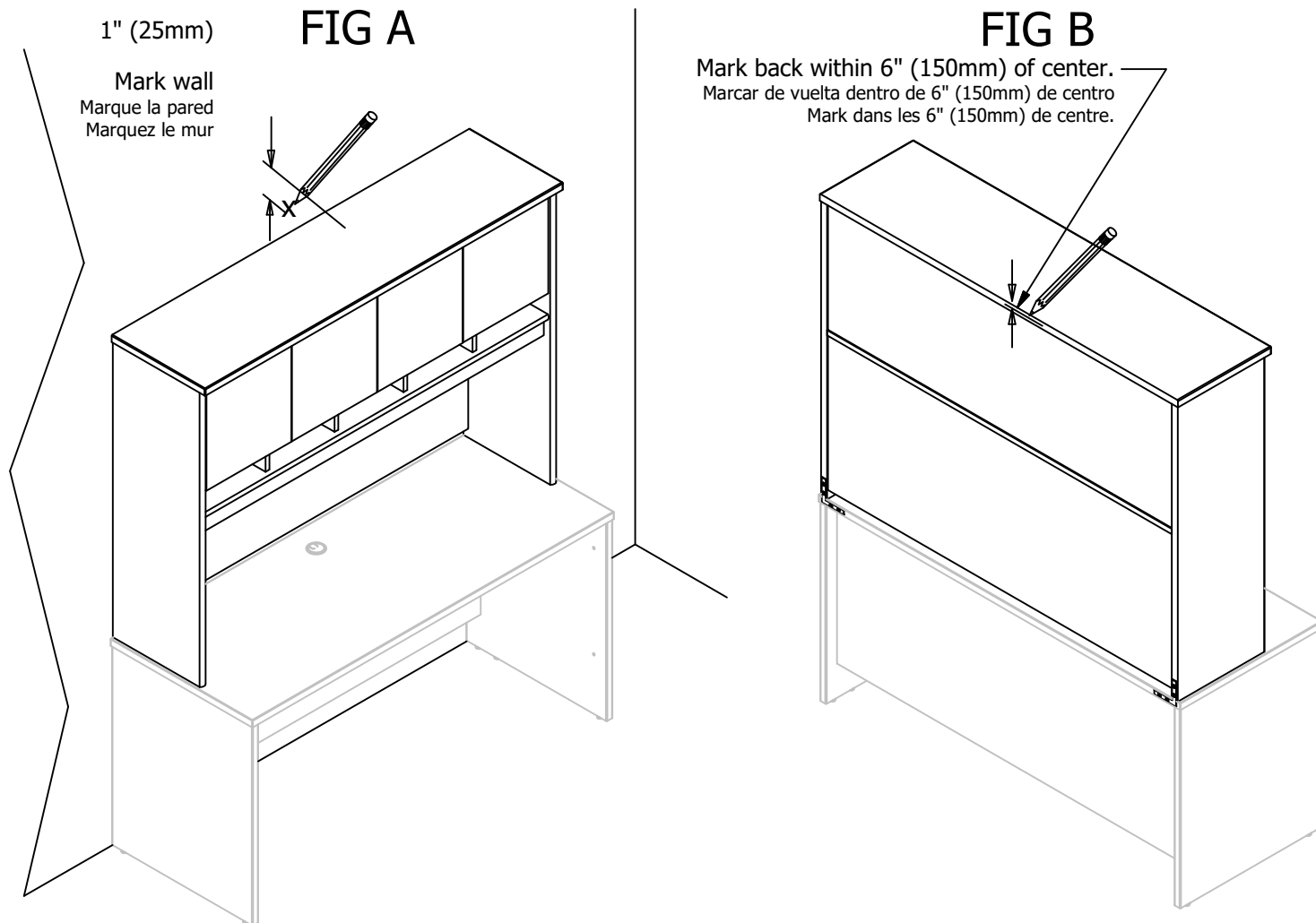
Unidad de seguro a la pared con un sistema de retención de un vuelco.

Fixer l'unité au mur avec un dispositif de retenue renversement.

1. Place unit in desired location.
2. Locate wall stud nearest unit center. **FIG A**
3. On wall, mark center of stud location 1" below top of unit. **FIG A**
4. If a wall stud cannot be located mark hollow wall at unit center. **FIG A**
5. On back of unit, mark corresponding location 3/8" below top of unit. **FIG B**

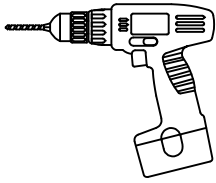
1. Coloque la unidad en el lugar deseado.
2. Localice pie derecho de pared centro de unidad más próxima.
3. En la pared del, marque el centro de la ubicación del montante 1 "abajo la parte superior de la unidad.
4. Si un poste de la pared no se puede localizar marcar pared hueca en el centro de la unidad.
5. En el dorso de la unidad, marque la ubicación 3/8 correspondiente abajo la parte superior de la unidad.

1. Placez l'unité à l'endroit désiré.
2. Localiser centre d'unité la plus proche de la paroi Stud.
3. Sur le mur, centre de emplacement du montant 1 "ci-dessous dessus de l'appareil de la marque.
4. Si un montant de mur ne peut pas être situé marquer mur creux au centre de l'unité.
5. Le dos de l'appareil, marquer l'emplacement 3/8 correspondant ci-dessous dessus de l'appareil.

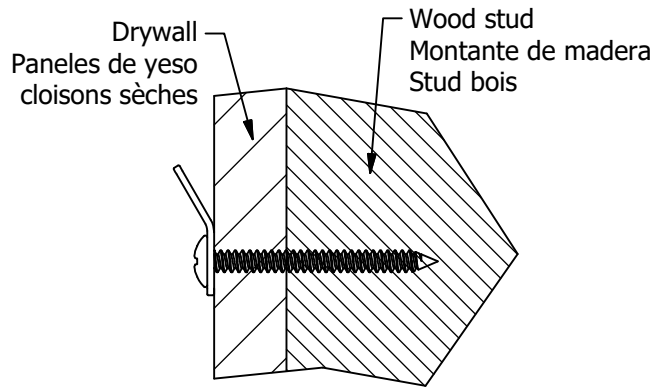
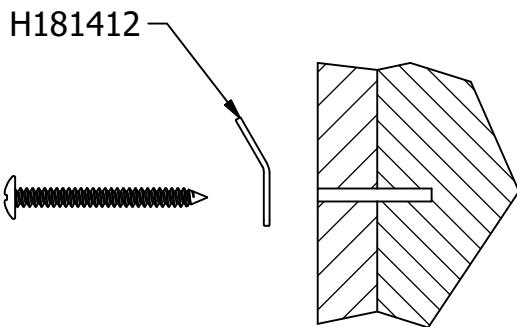
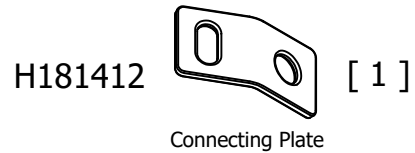
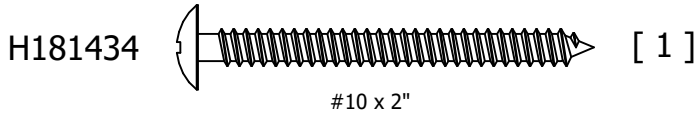


Have an assembly question or need a replacement part? Just call
1-800-950-4782, we are here to help.

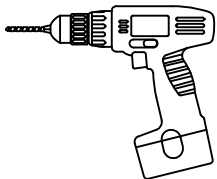
WALL STUD ATTACHMENT



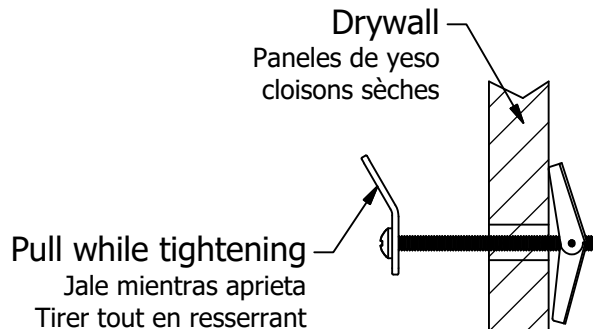
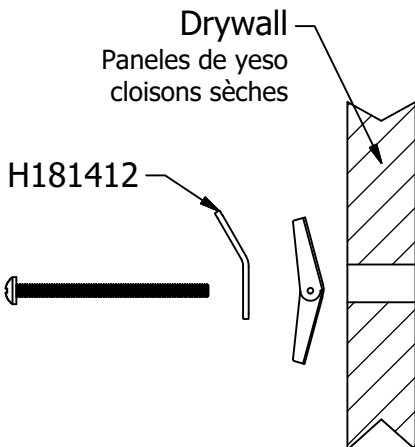
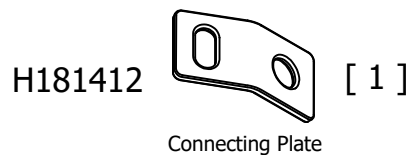
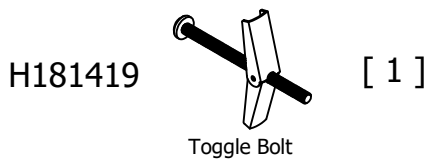
Drill 1/8" hole 2" deep at mark on wall.
 Taladro 1/8 "agujero 2" de profundidad en la marca en la pared.
 Percer 1/8 "trou de 2" de profondeur à la marque sur le mur.



HOLLOW WALL ATTACHMENT

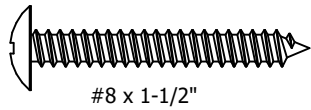


Drill 1/2" hole 1" deep at mark on wall.
 Taladro 1/2 "agujero 1" de profundidad en la marca en la pared.
 Percer 1/2 "trou de 1" de profondeur à la marque sur le mur.



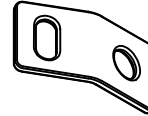
Have an assembly question or need a replacement part? Just call
1-800-950-4782, we are here to help.

H107572



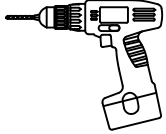
[1]

H181412

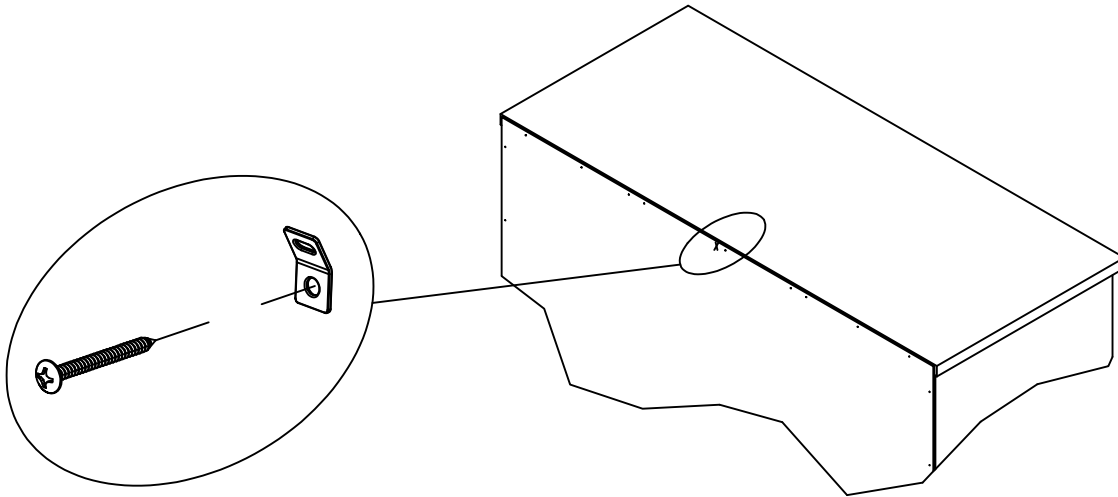


[1]

Connecting Plate



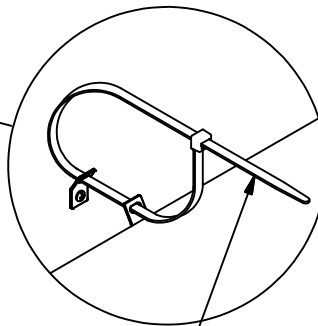
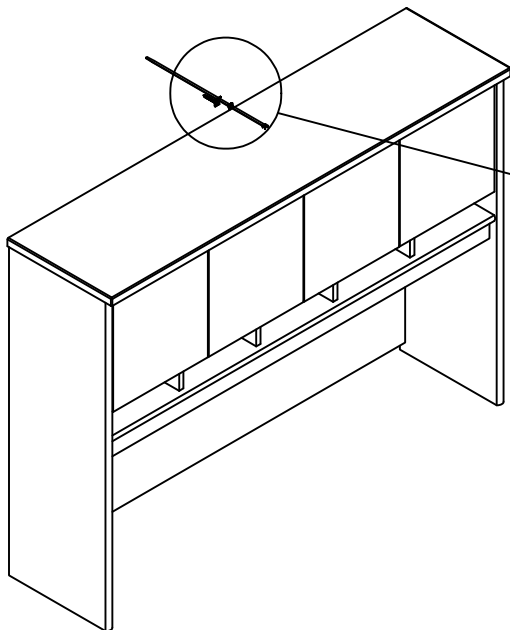
Drill 1/8" hole 1" deep at mark on unit.
 Taladro 1/8 "agujero de 1" de profundidad en la marca de la unidad.
 Percer 1/8 "trou 1" de profondeur à la marque sur l'unité.



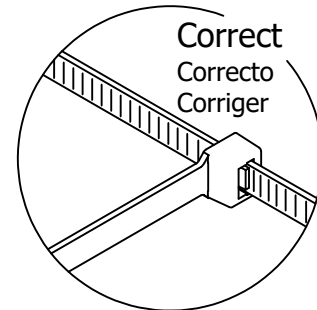
H181411

Nylon Cable Tie

[1]



Pull to verify lock
 Tire para verificar cerradura
 Tirez pour vérifier serrure



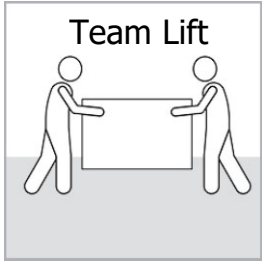
Use replacement cable tie with minimum breaking strength of 120lbs.
 Utilice reemplazo empate Cable con resistencia a la rotura mínima de 120 libras.
 Utilisez remplacement Attache de câble avec une force de rupture minimale de 120 lbs.

Have an assembly question or need a replacement part? Just call
1-800-950-4782, we are here to help.

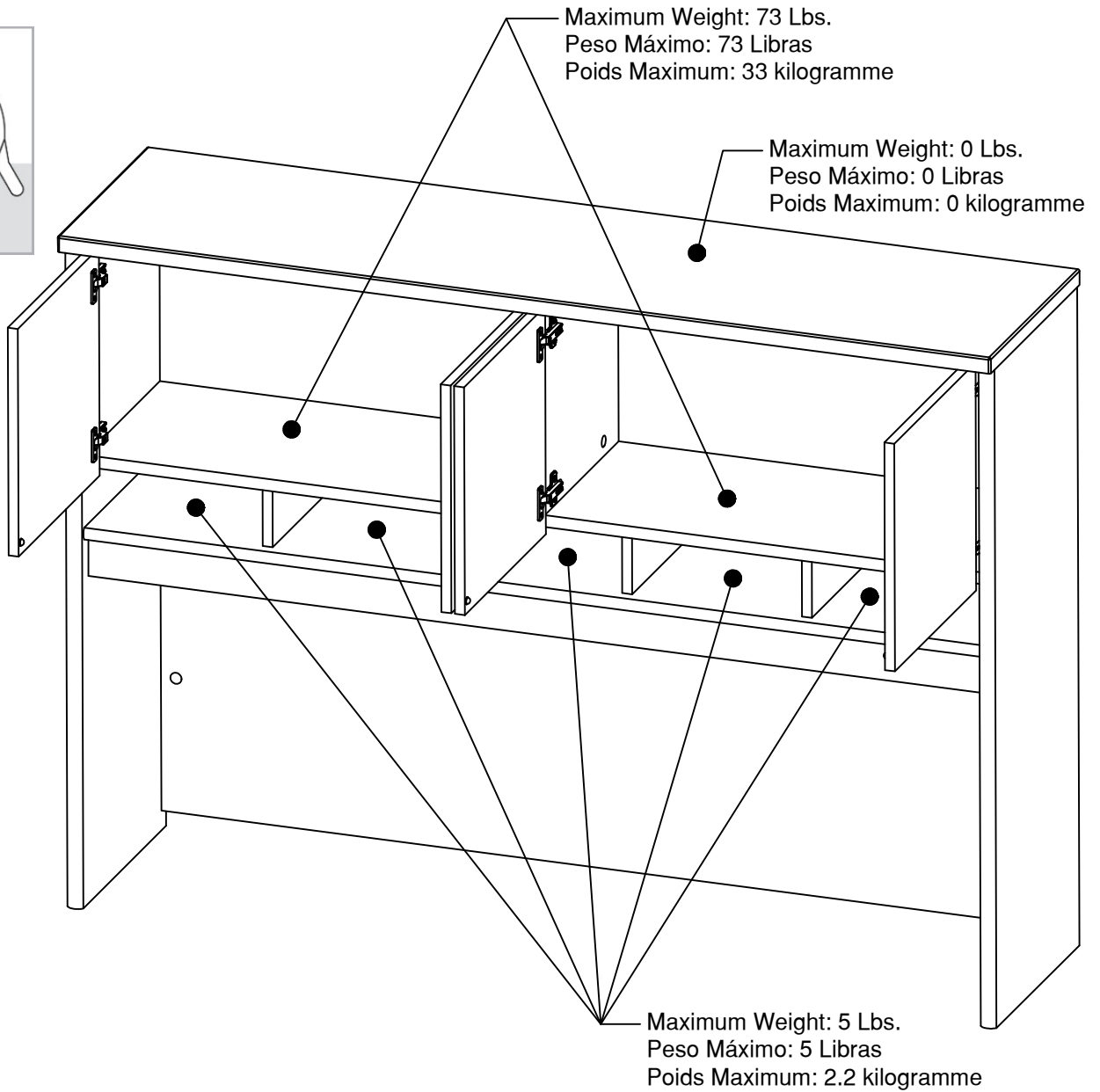
Scan QR Code to Watch Video on:



Basin Cleaning Instructions



Gently clean surfaces with a damp sponge eraser.



Congratulations! You are all done. If you have any questions or concerns, please call.

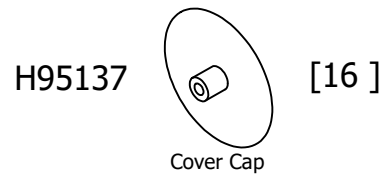
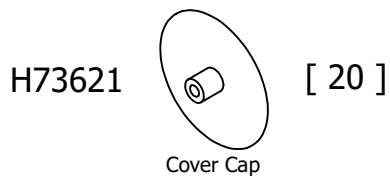
Have an assembly question or need a replacement part? Just call **1-800-950-4782**, we are here to help.

WC12962

A	[1]	W133773
B	[1]	W133781
C	[1]	W133782
D	[1]	W133774
E	[1]	W216184
F	[1]	W130478
G	[2]	W133776
H	[1]	W133777
I	[1]	W133778
J	[4]	W130479
K	[1]	W133779
M	[2]	W133780
N	[1]	W130480

WC24462

A	[1]	W133786
B	[1]	W133794
C	[1]	W133795
D	[1]	W133787
E	[1]	W216185
F	[1]	W96580
G	[2]	W133789
H	[1]	W133790
I	[1]	W133791
J	[4]	W93387
K	[1]	W133792
M	[2]	W133793
N	[1]	W96586



Accent Color

