

Assembly Guide



Bush
FURNITURE

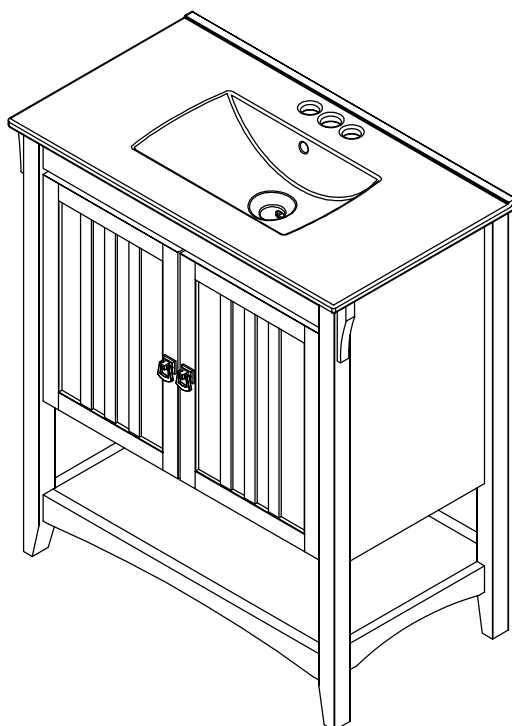


If you're having any difficulty during assembly of this product, don't hesitate to call us at **1-800-950-4782**.

Our customer service experts are trained to provide step-by-step instruction and can easily replace any missing or damaged parts.

Representatives are available Monday-Friday from 8:30 a.m. to 7:30 p.m. (ET)

32W Vanity



Lot Code #

Part Number A199325A

Keep manual for future reference.

DOs

- ✓ Wear safety glasses at all times during assembly.
- ✓ Carefully follow the instructions in this guide and complete all steps in order.
- ✓ Give us a call if you're having trouble with a particularly tricky step.
- ✓ Use Stud Finder, Power drill, 1/8" drill bit, level, pencil, screwdriver, 100% Silicone Adhesive/Caulk (not included).
- ✓ Verify product is in final position and level before drilling wall holes.
- ✓ Use only through-wall plumbing attachments.
- ✓ Follow the instructions included with your plumbing fixtures.
- ✓ Install plumbing fixture and drain to Basin before attaching Basin to Vanity using 100% silicone adhesive.
- ✓ Allow adhesive 24 hours cure time to achieve full strength.
- ✓ Consult plumbing professional for specific installation questions and consult local codes as applicable.
- ✓ Use only plumbing fixtures designed to fit either single hole or 3-hole, 4" centerline faucets.

DON'Ts

- ✗ Do not attempt to use this product before all steps have been completed.



Watch assembly videos right on your phone or computer!



Some steps include QR codes that link to helpful videos. Watch out for the icon below! Simply open up your smartphone camera to scan the code.

(Users of older smartphones may need to install a QR Reader.)

SCAN HERE



FOR VIDEOS

Or visit <https://bushfurniture.com/help-faq/#assembling>

IMPORTANT SAFETY INFORMATION



PLEASE READ WARNINGS

Improper use can cause safety hazards, or damage to your furniture and household items.

Warning	Do	Don't	Why it's important
Serious injury may occur.	<ul style="list-style-type: none">Assemble following all instructions using all indicated parts and hardware provided.Install product only as described in the instructions.Verify furniture is stable on it's own.Only place against a permanent wall structure and attach directly to wall studs according to the instructions.	<ul style="list-style-type: none">Do not exceed the maximum load limits stated in the instructions.Do not allow children to climb, or hang on furniture.	Improper assembly, use or loading can lead to product instability, tip-over or collapse.

Advertencia	Hacer	No	Por qué es importante
Pueden producirse lesiones graves.	<ul style="list-style-type: none">Montar siguiendo todas las instrucciones utilizando todas las piezas y hardware indicados previsto.Instale el producto solo como se describe en las instrucciones.Verifique que los muebles sean estables por sí mismos.Solo colocar contra una pared permanente estructural y fijar directamente a los montantes de la pared de acuerdo con las instrucciones.	<ul style="list-style-type: none">No exceda los límites máximos de carga indicado en las instrucciones.No permita que los niños se suban o cuelguen en muebles.	Incorrecto montaje, uso o cargando puede conducir a producir inestabilidad, volcar o colapso.

Avertissement	Faire	Ne le fais pas	Pourquoi c'est important
Des blessures graves peuvent survenir.	<ul style="list-style-type: none">Assemblez en suivant toutes les instructions en utilisant toutes les pièces et le matériel indiqués à condition de.Installez le produit uniquement comme décrit dans les instructions.Vérifiez que les meubles sont stables par eux-mêmes.Placer uniquement contre un mur permanent structure et attachez directement aux poteaux de mur selon les instructions.	<ul style="list-style-type: none">Ne dépassez pas les limites de charge maximale indiqué dans les instructions.Ne laissez pas les enfants grimper ou se suspendre sur les meubles.	Non conforme assemblage, utilisation ou chargement peut mener au produit instabilité, basculement ou effondrer.

Wall Anchoring Guide

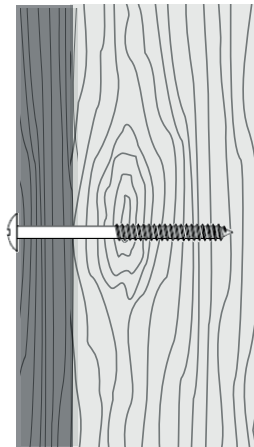
This product must attach only to a wooden wall stud. If you have questions, consult with a local hardware retailer.

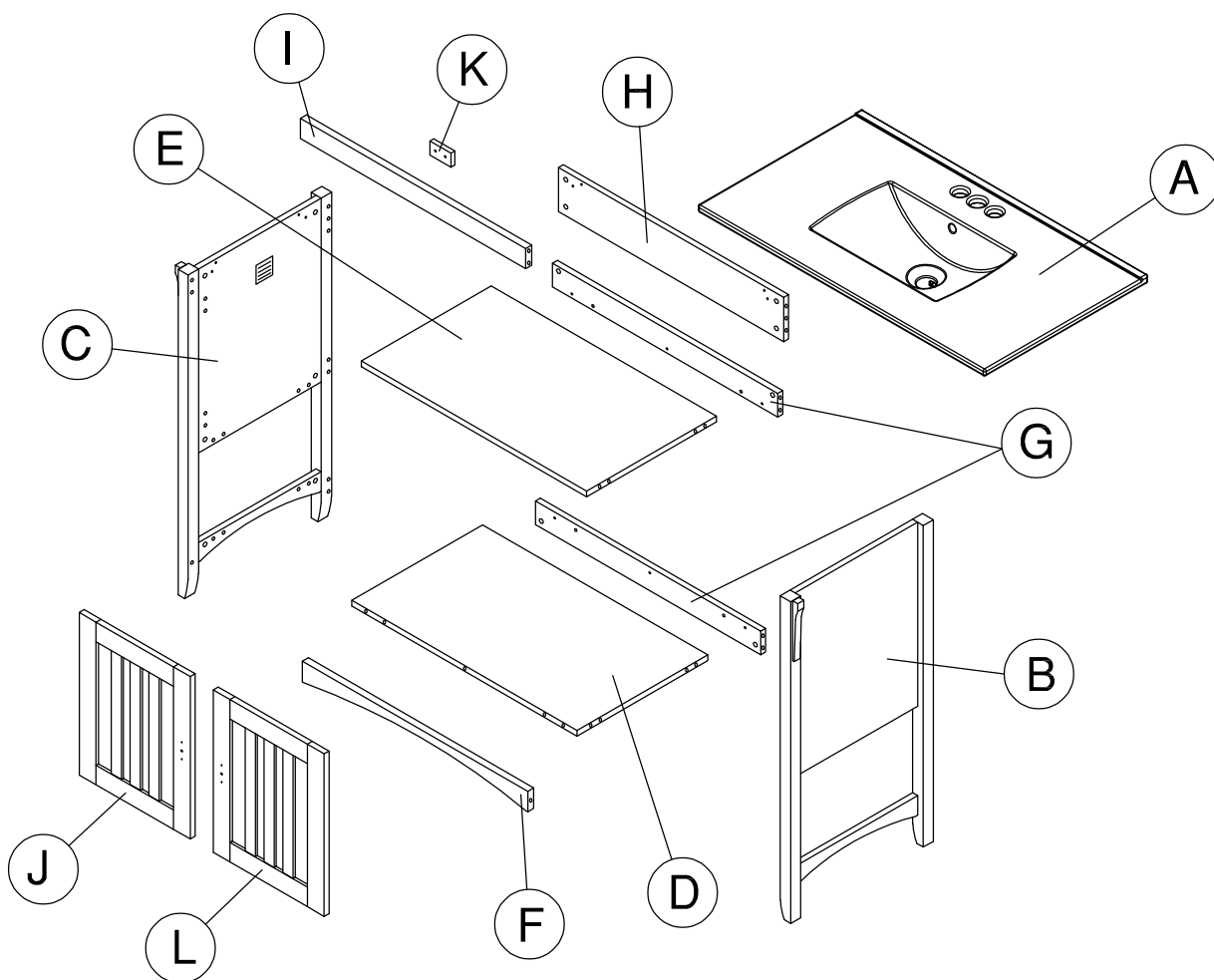
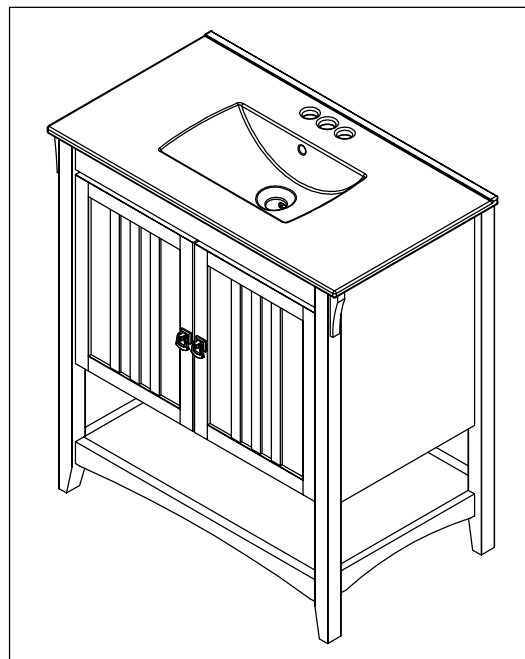
WALL MATERIAL

Drywall or plaster with available wood stud

ANCHORING DEVICE

Bush provided #10 x 2.5"
Truss-Head screw.

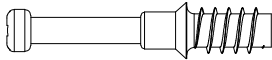




Have an assembly question or need a replacement part? Just call
1-800-950-4782, we are here to help.

Fasteners are shown actual size.

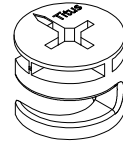
H180604



KD Bolt

[29]

H200020



KD Cam

[29]

H38169



Wood Dowel
8 x 30mm

[22]

H127839



M4 x 22mm

[2]

H200028



M3.5 X 16mm

[24]

H200029

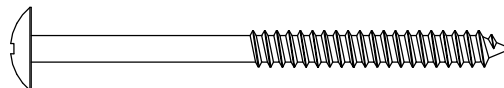


M3.5 X 20mm

[2]

WALL ATTACHMENT HARDWARE

H194287

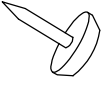


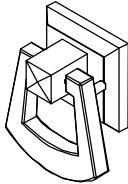
[2]

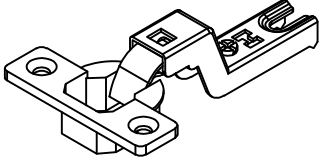
10 X 2.5 "

Have an assembly question or need a replacement part? Just call
1-800-950-4782, we are here to help.


Hardware not to scale.

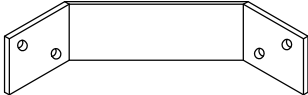
H200021  [4]
Tack Glide

H159990  [2]
Handle

H170611  [4]
Hinge

H170612  [4]
Mounting Plate

H200022  [2]
Bumper
Ø12x2mm

H200042  [4]
Corner Bracket

 [37]
Cover Cap

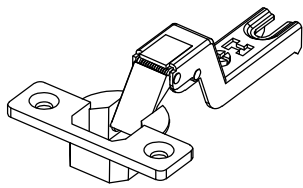
Have an assembly question or need a replacement part? Just call
1-800-950-4782, we are here to help.

STEP 1

Prepare Doors

A199325A

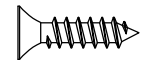
H170611



[4]

Hinge Arm

H200028



[8]

M3.5 X 16mm

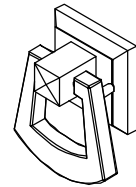
H127839



[2]

M4 x 22mm

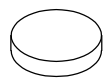
H159990



[2]

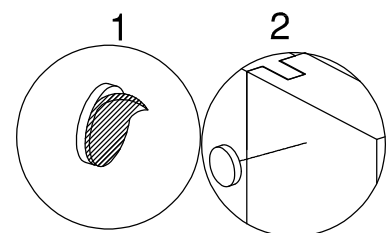
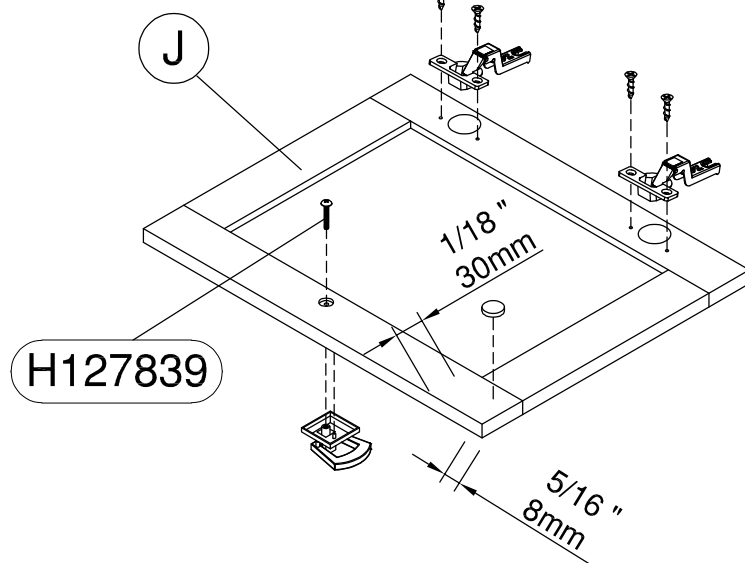
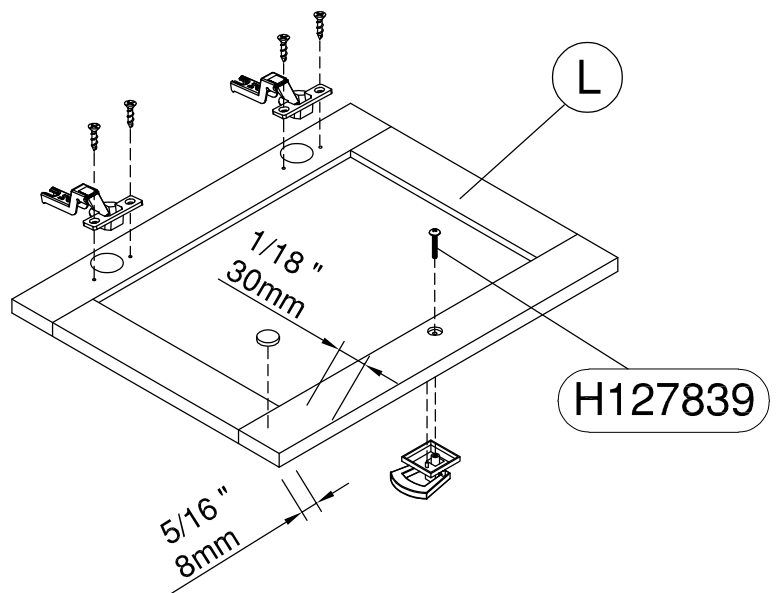
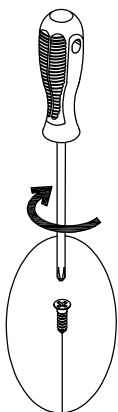
Handle

H200022



[2]

Bumper
Ø12x2mm



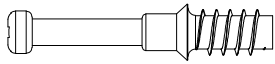
Have an assembly question or need a replacement part? Just call
1-800-950-4782, we are here to help.

STEP 2

Prepare Panels

A199325A

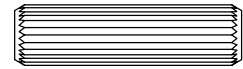
H180604



[6]

KD Bolt

H38169

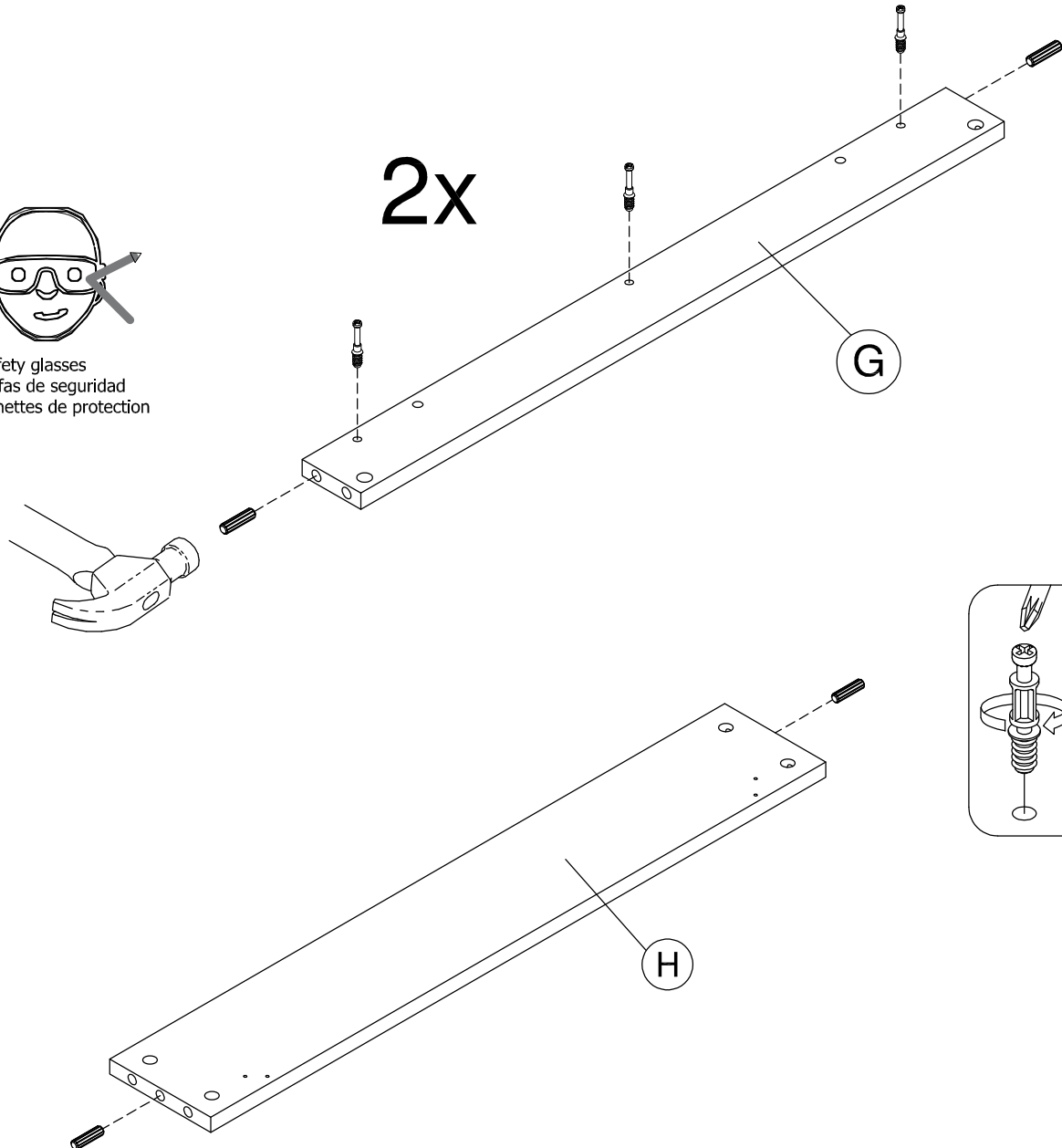


[6]

Wood Dowel
8 x 30mm



2x



Have an assembly question or need a replacement part? Just call
1-800-950-4782, we are here to help.

STEP 3

Prepare Panels

A199325A

H38169



[8]

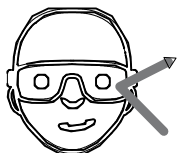
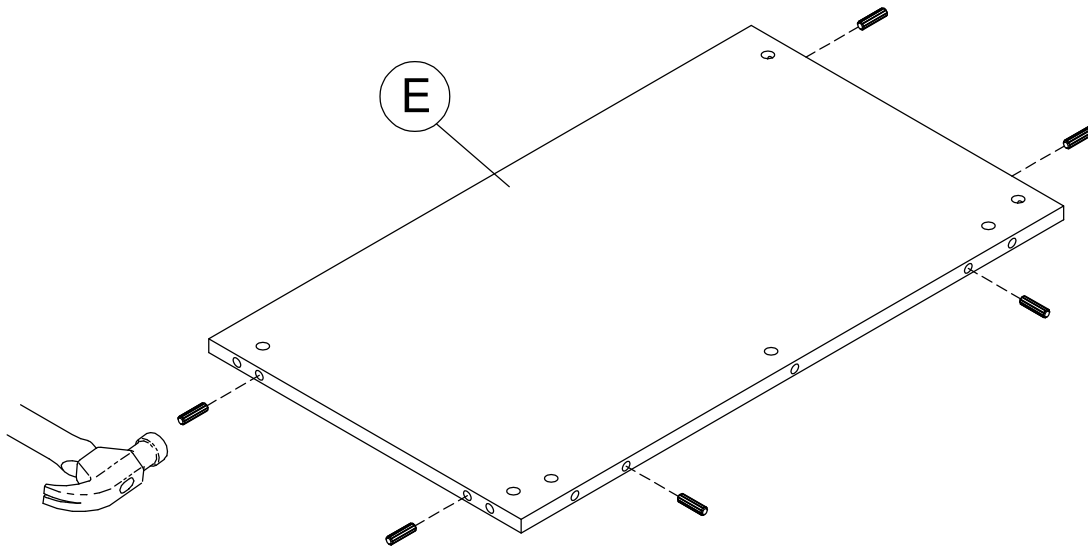
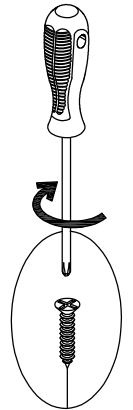
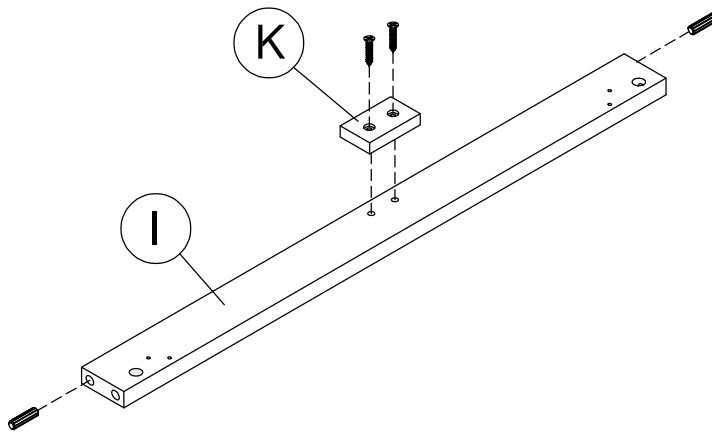
Wood Dowel
8 x 30mm

H200029



[2]

M3.5 X 20mm



Safety glasses
Gafas de seguridad
Lunettes de protection

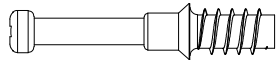
Have an assembly question or need a replacement part? Just call
1-800-950-4782, we are here to help.

STEP 4

Prepare Panels

A199325A

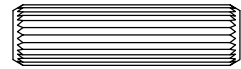
H180604



[3]

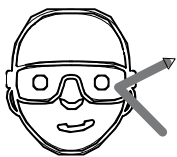
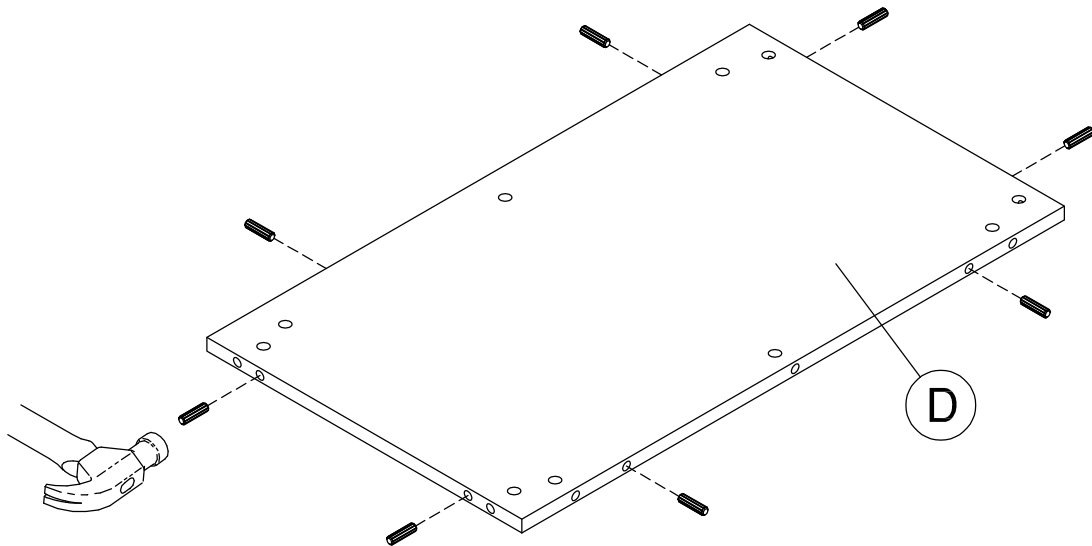
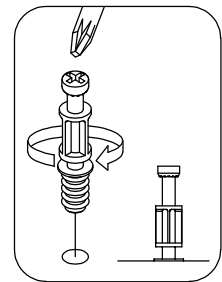
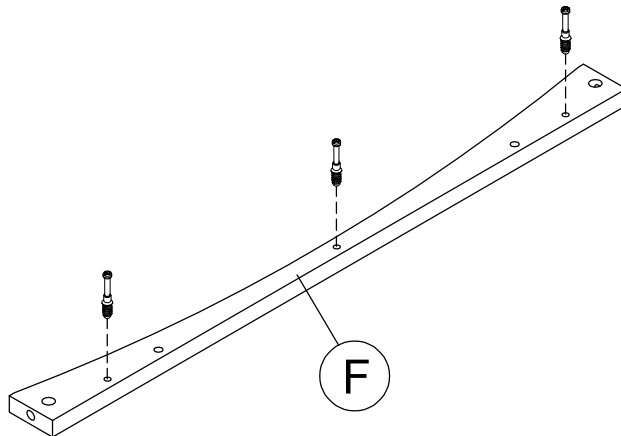
KD Bolt

H38169



[8]

Wood Dowel
8 x 30mm



Safety glasses
Gafas de seguridad
Lunettes de protection

Have an assembly question or need a replacement part? Just call
1-800-950-4782, we are here to help.

STEP 5

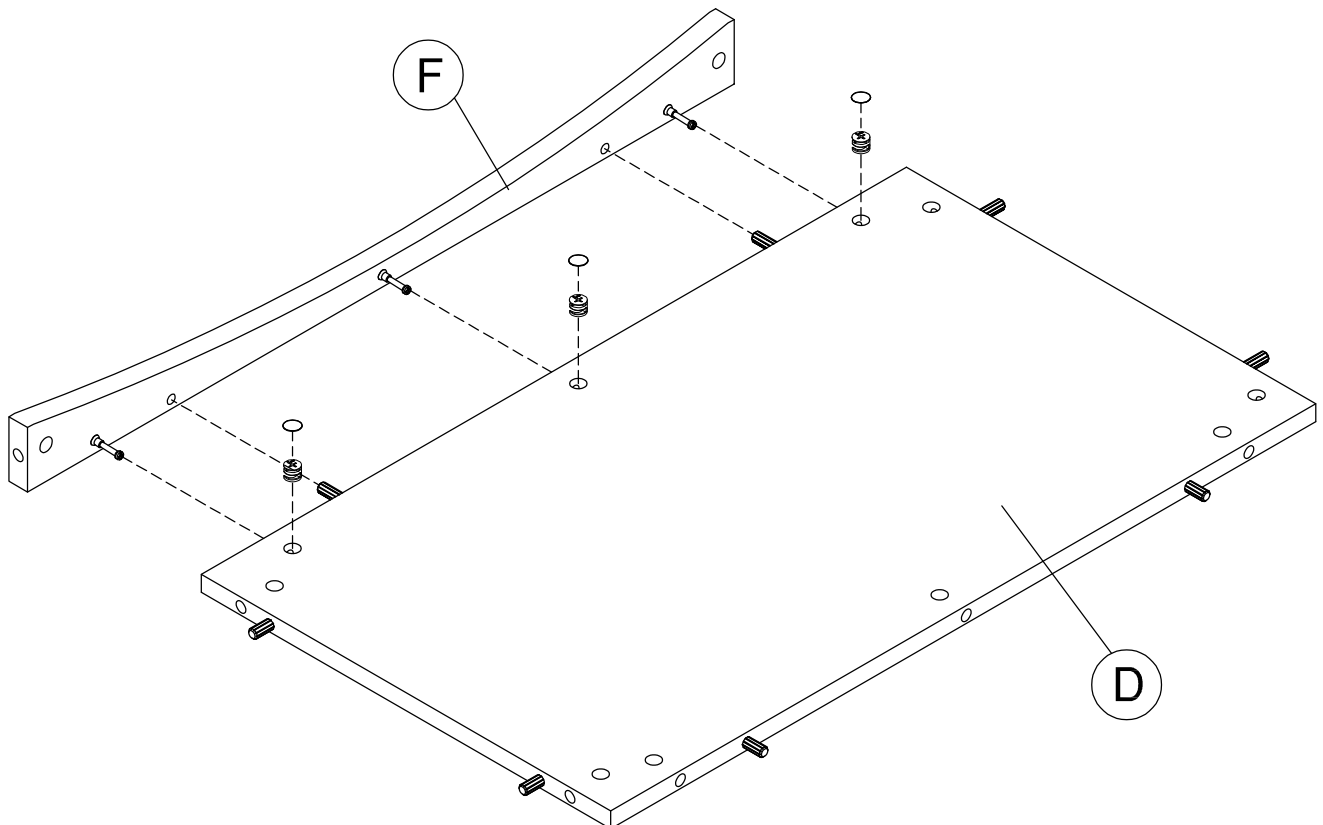
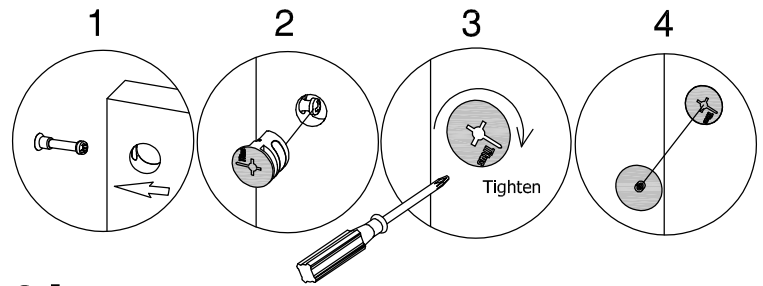
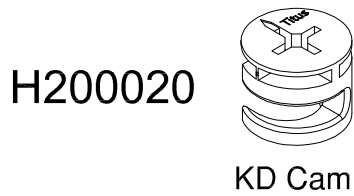
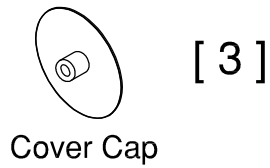
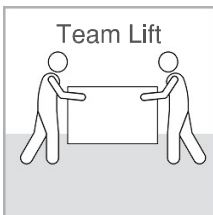
Assemble Panels

A199325A

Scan QR Code to Watch Video on:



How to Tighten KD Cams



Have an assembly question or need a replacement part? Just call **1-800-950-4782**, we are here to help.

STEP 6

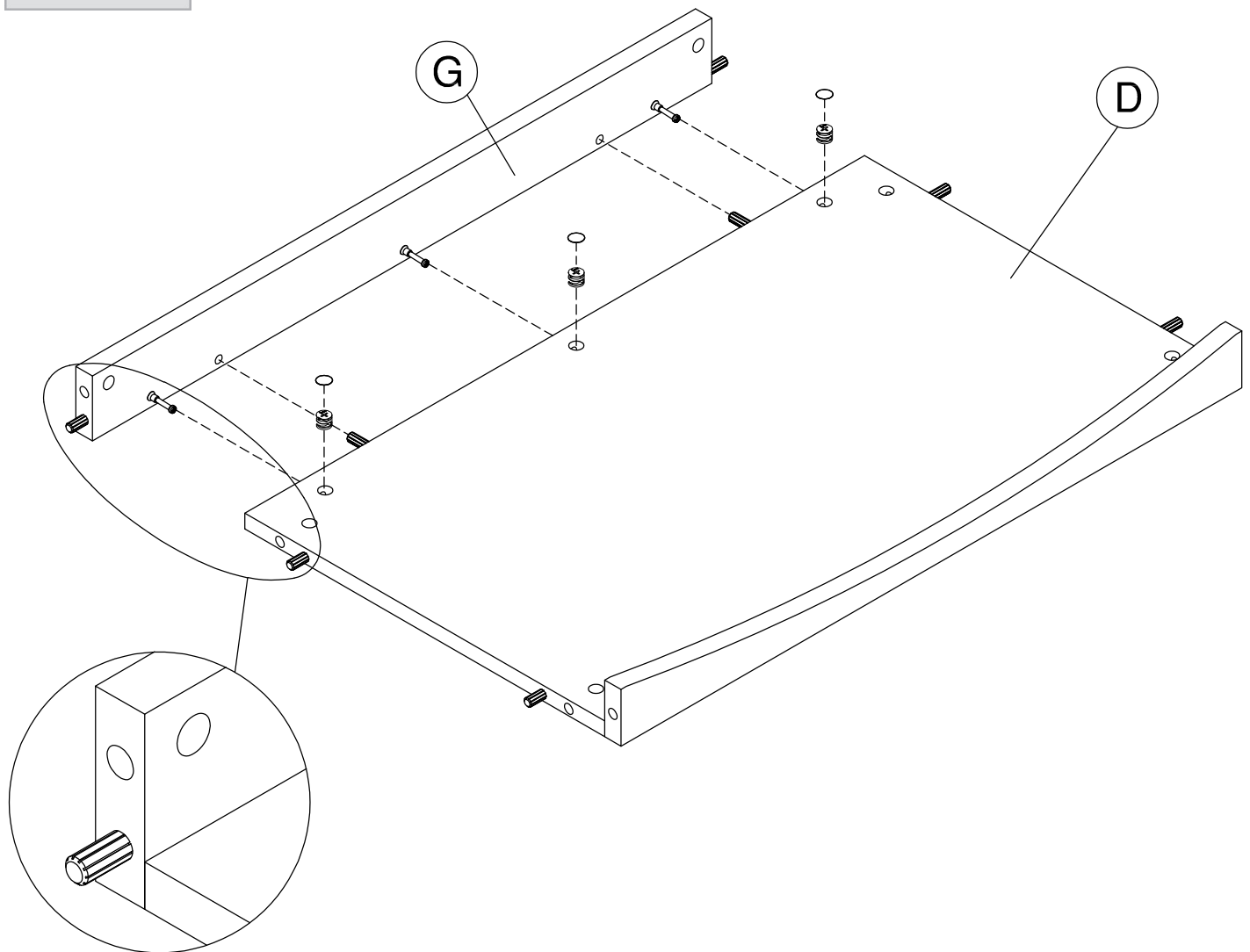
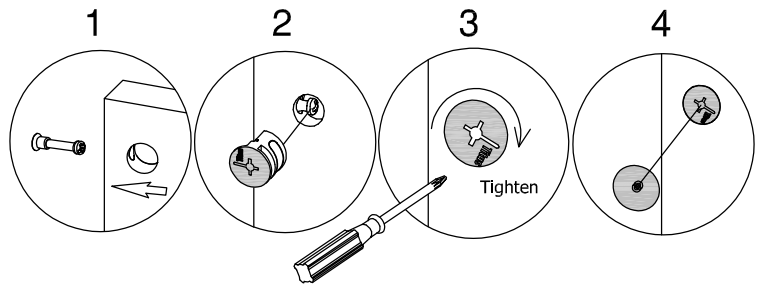
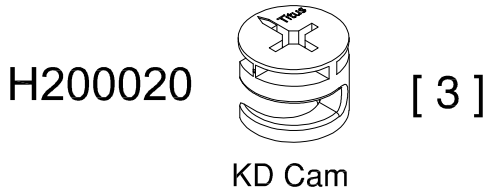
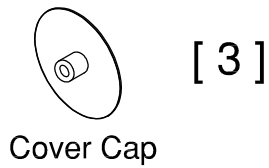
Assemble Panels

A199325A

Scan QR Code to Watch Video on:



How to Tighten KD Cams



Have an assembly question or need a replacement part? Just call **1-800-950-4782**, we are here to help.

STEP 7

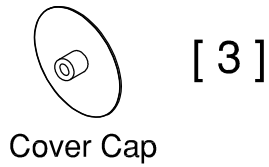
Assemble Panels

A199325A

Scan QR Code to Watch Video on:

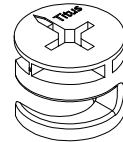


How to Tighten KD Cams

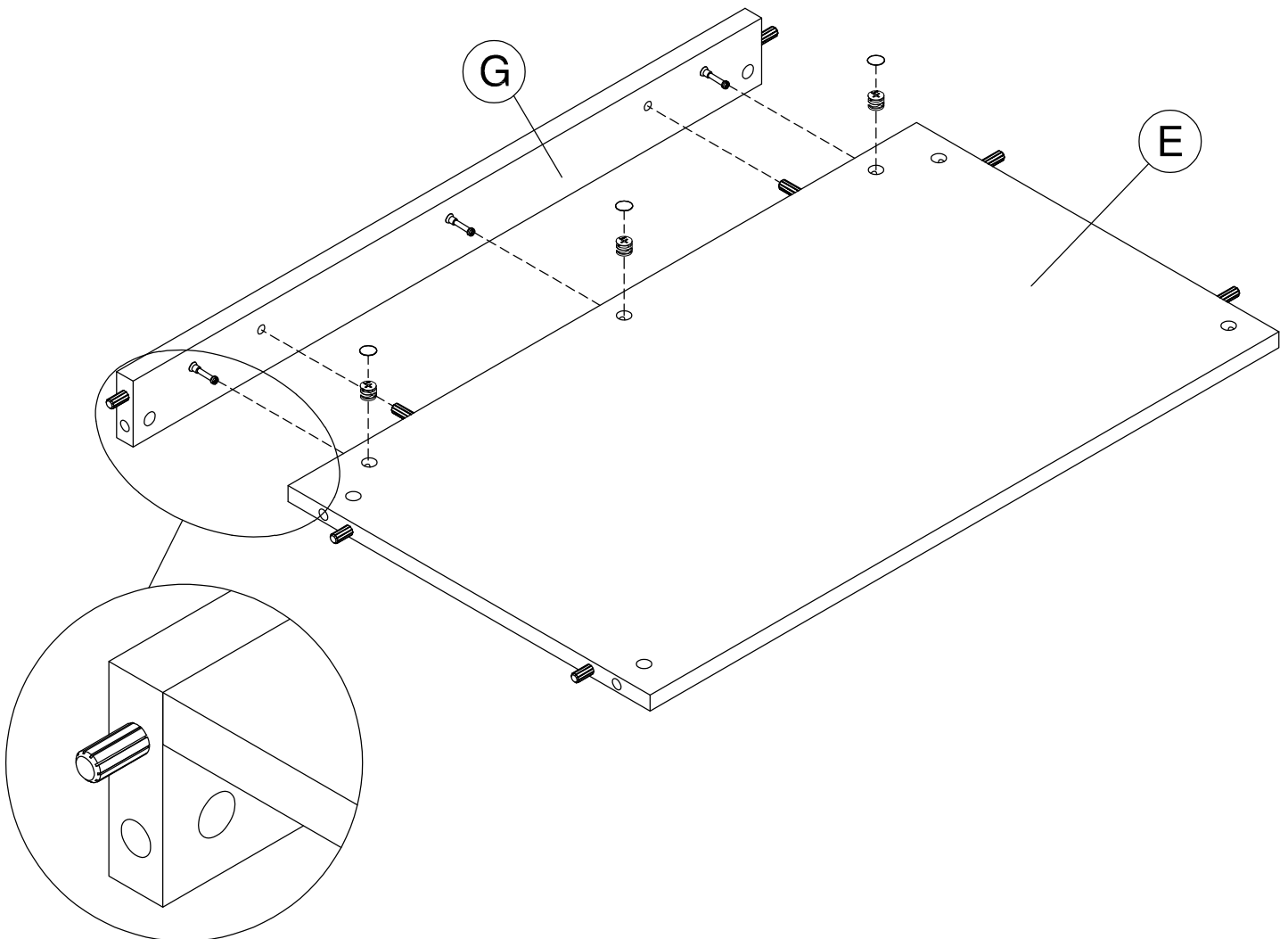
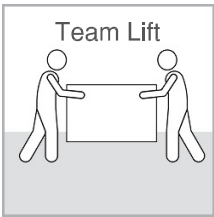
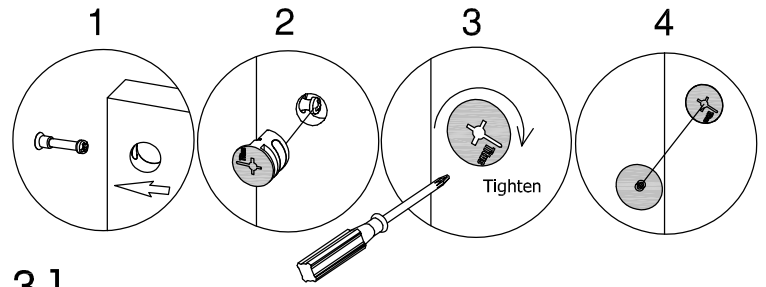


Cover Cap

H200020



KD Cam

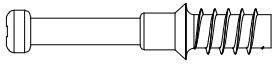


Have an assembly question or need a replacement part? Just call **1-800-950-4782**, we are here to help.

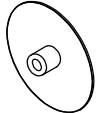
STEP 8

Prepare Panel

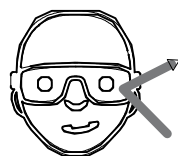
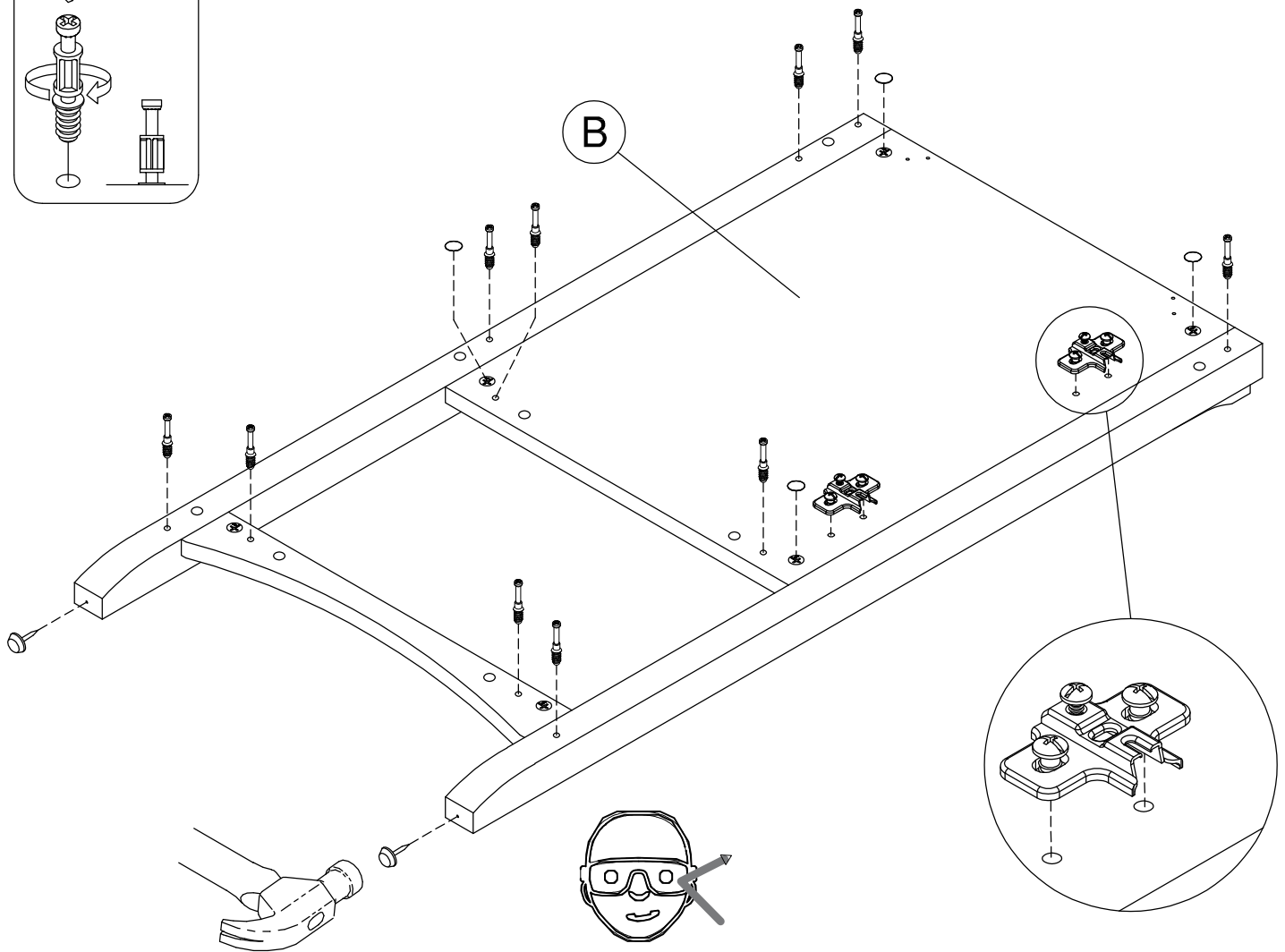
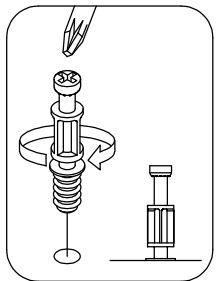
A199325A

H180604  [10]
KD Bolt

H200021  [2]
Tack Glide

 [4]
Cover Cap

H170612  [2]
Mounting Plate



Safety glasses
Gafas de seguridad
Lunettes de protection

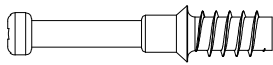
Have an assembly question or need a replacement part? Just call
1-800-950-4782, we are here to help.

STEP 9

Prepare Panel

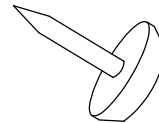
A199325A

H180604 [10]

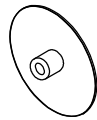


KD Bolt

H200021 [2]



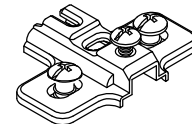
Tack Glide



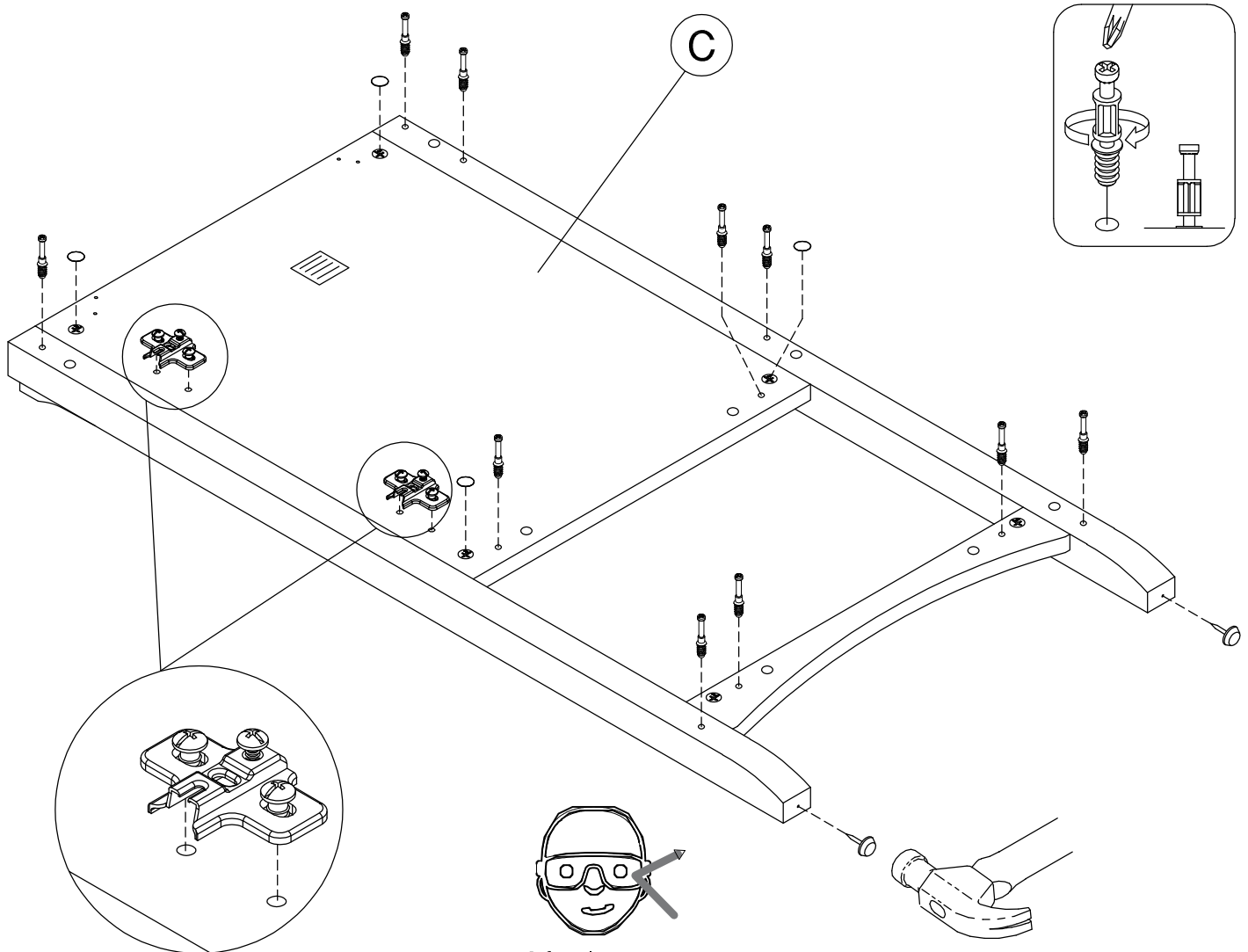
[4]

Cover Cap

H170612 [2]



Mounting Plate



Safety glasses
Gafas de seguridad
Lunettes de protection

Have an assembly question or need a replacement part? Just call
1-800-950-4782, we are here to help.

STEP 10

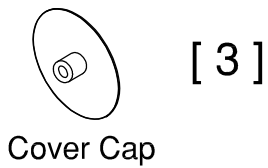
Assemble Panels

A199325A

Scan QR Code to Watch Video on:

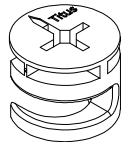


How to Tighten KD Cams

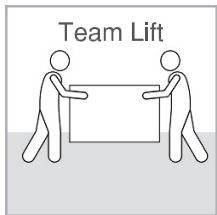
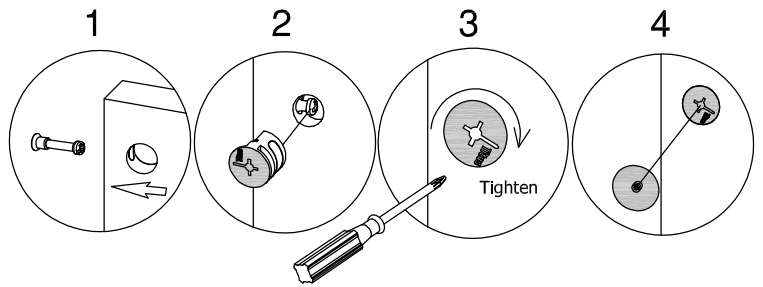


Cover Cap

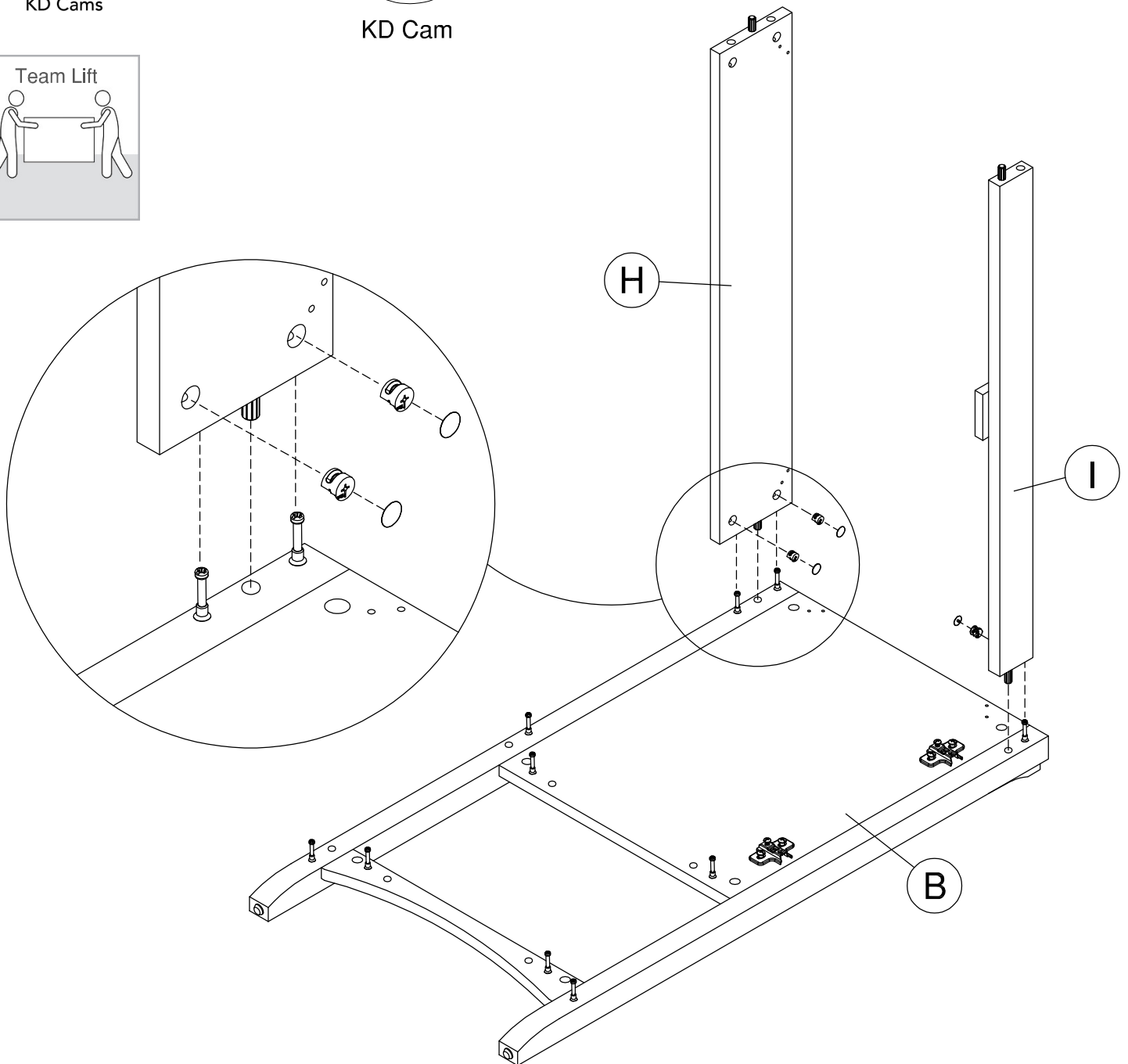
H200020



KD Cam



Team Lift



Have an assembly question or need a replacement part? Just call **1-800-950-4782**, we are here to help.

STEP 11

Assemble Panel

A199325A

Scan QR Code to Watch Video on:



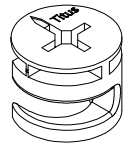
How to Tighten KD Cams



Cover Cap

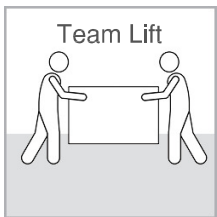
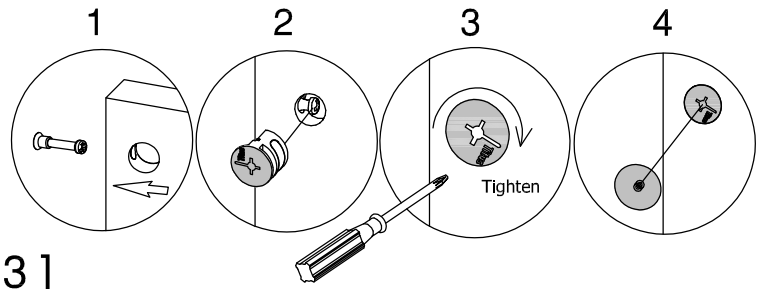
[3]

H200020

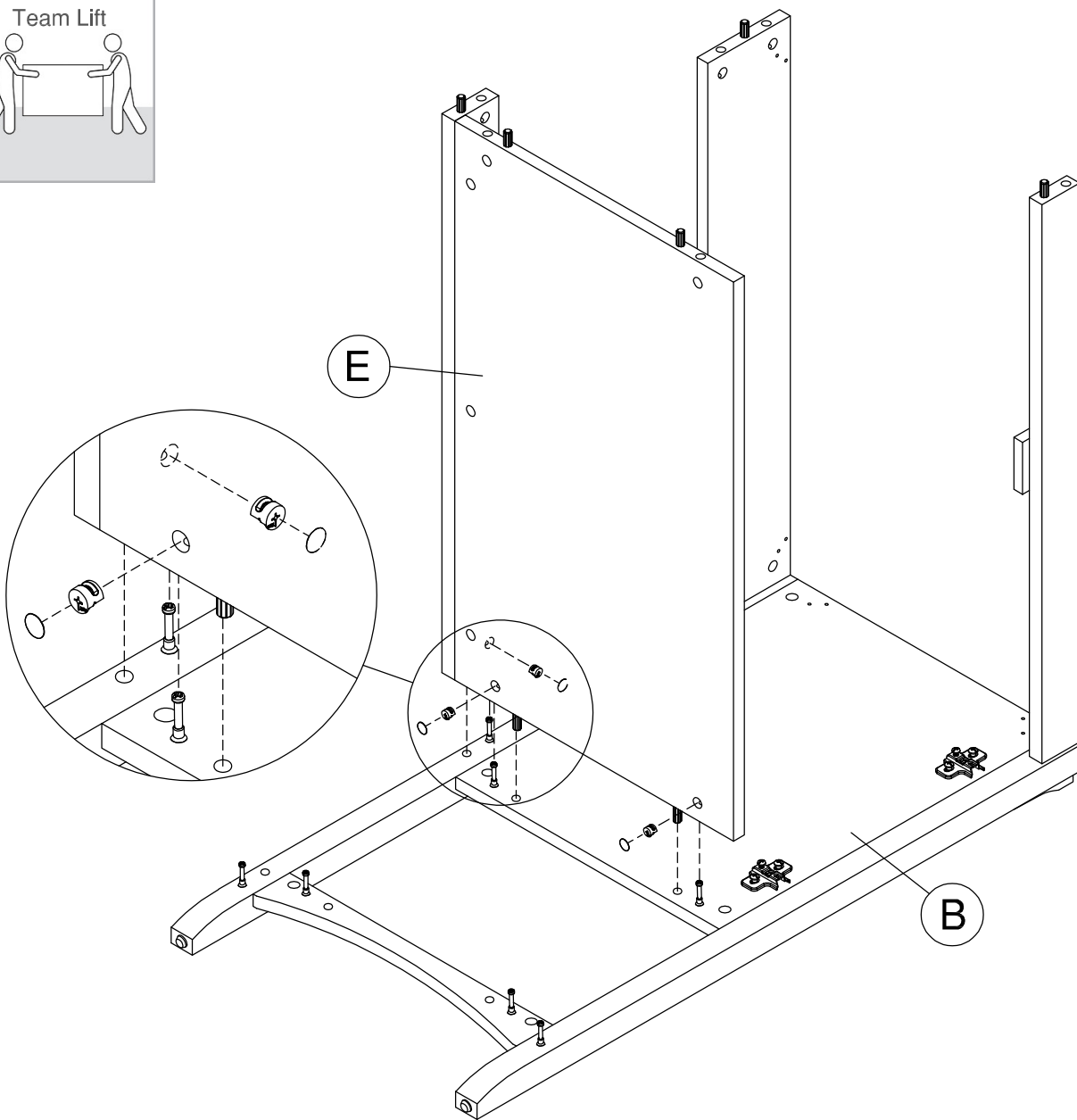


KD Cam

[3]



Team Lift



Have an assembly question or need a replacement part? Just call **1-800-950-4782**, we are here to help.

STEP 12

Assemble Panel

A199325A

Scan QR Code to Watch Video on:

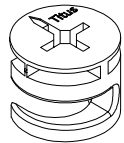


How to Tighten KD Cams



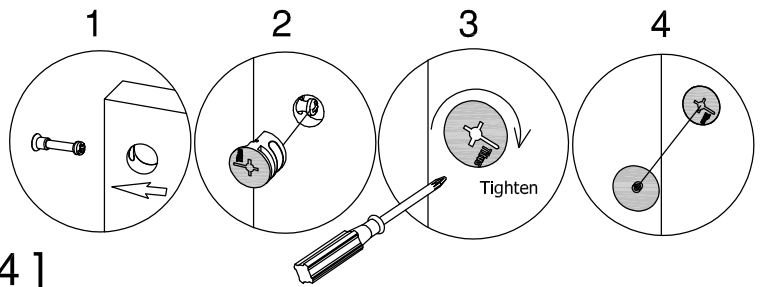
Cover Cap

H200020

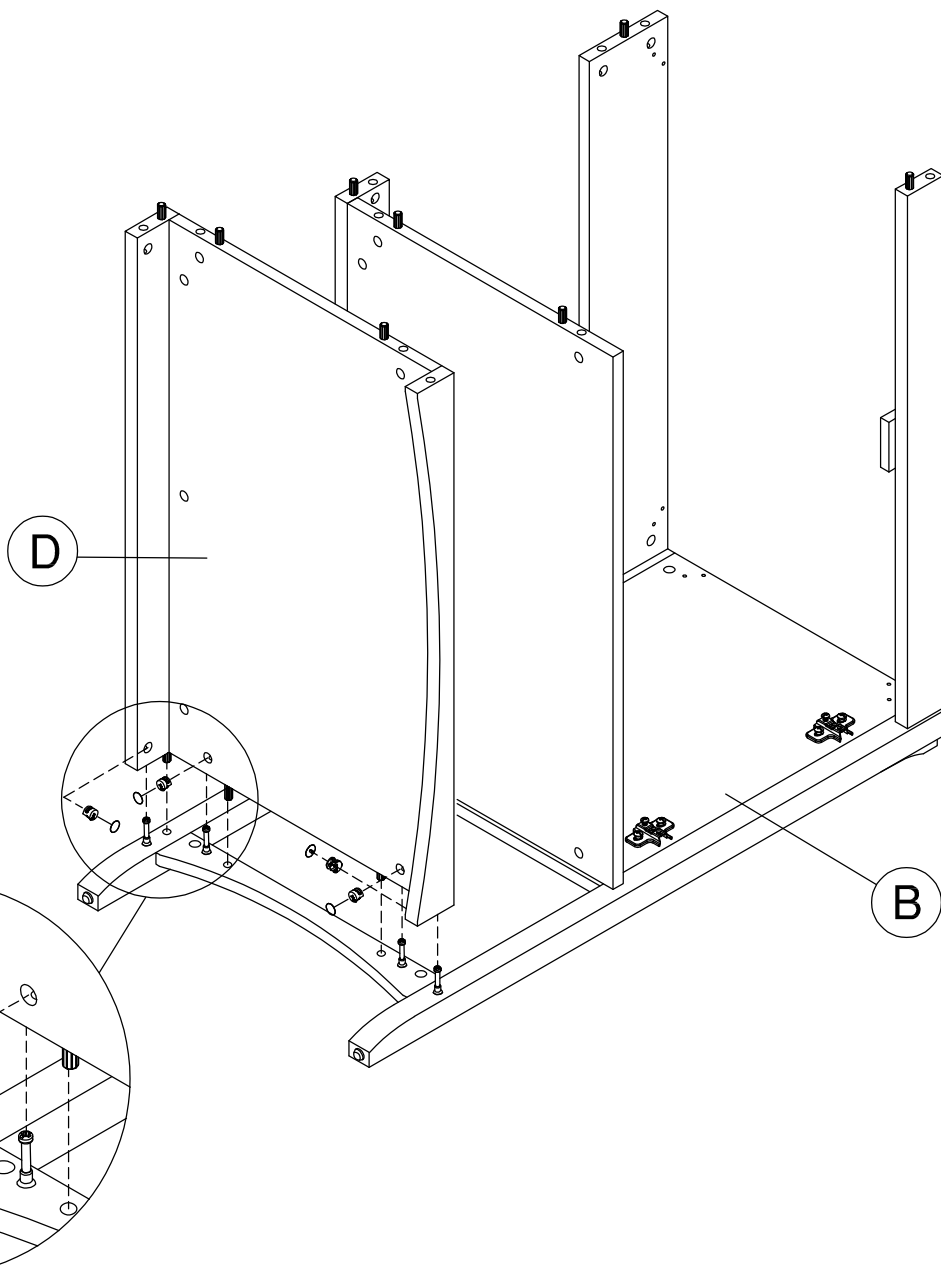
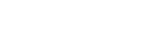
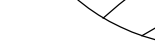
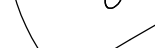
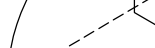
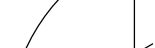
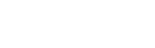
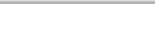
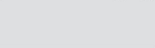
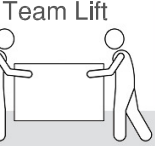


KD Cam

[4]



Team Lift



Have an assembly question or need a replacement part? Just call **1-800-950-4782**, we are here to help.

STEP 13

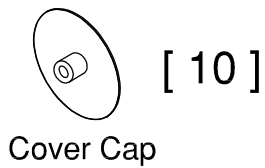
Assemble Panel

A199325A

Scan QR Code to Watch Video on:

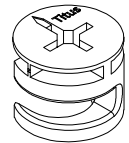


How to Tighten KD Cams

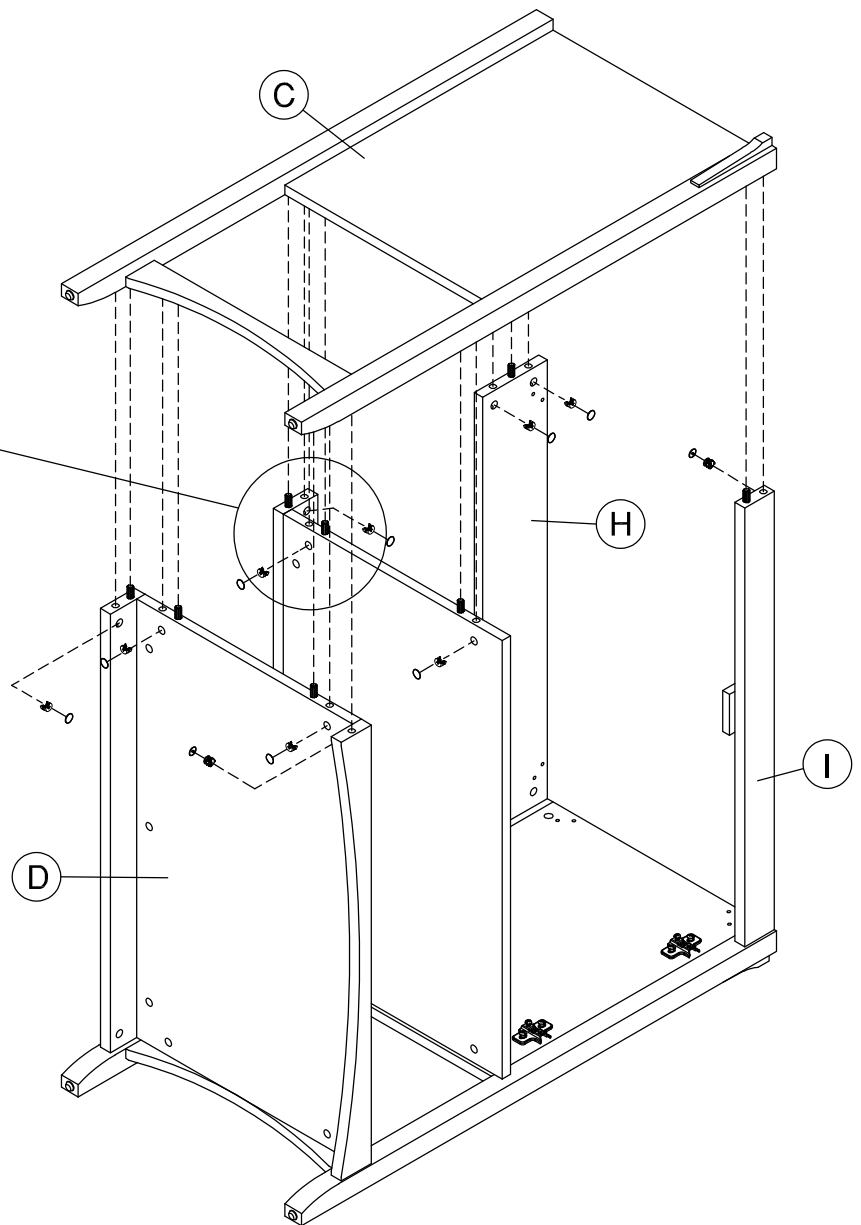
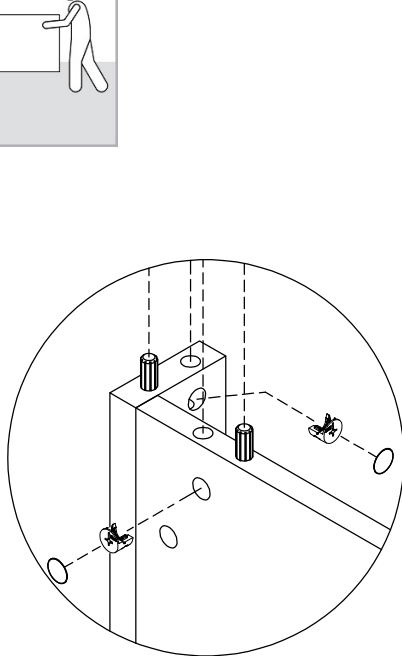
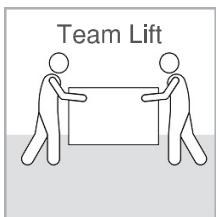
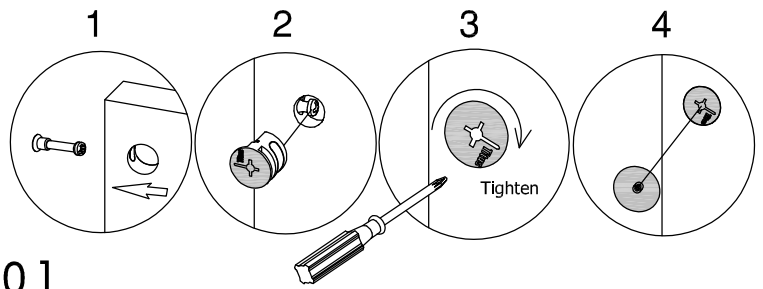


Cover Cap

H200020



KD Cam

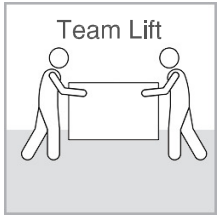


Have an assembly question or need a replacement part? Just call **1-800-950-4782**, we are here to help.

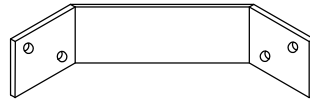
STEP 14

Attach Hardware

A199325A



H200042



Corner Bracket

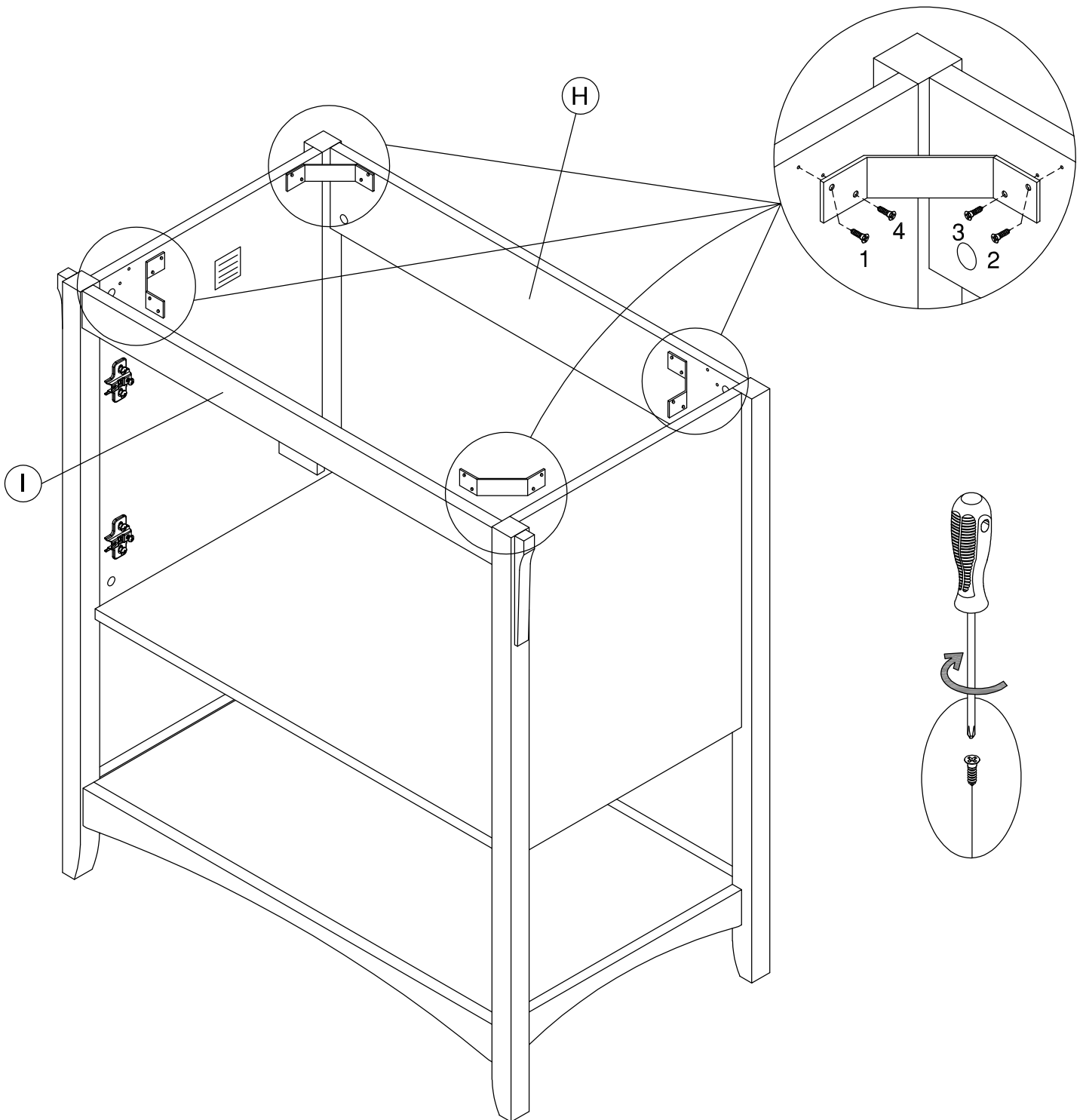
[4]

H200028



[16]

M3.5 X 16mm



Have an assembly question or need a replacement part? Just call
1-800-950-4782, we are here to help.

STEP 15

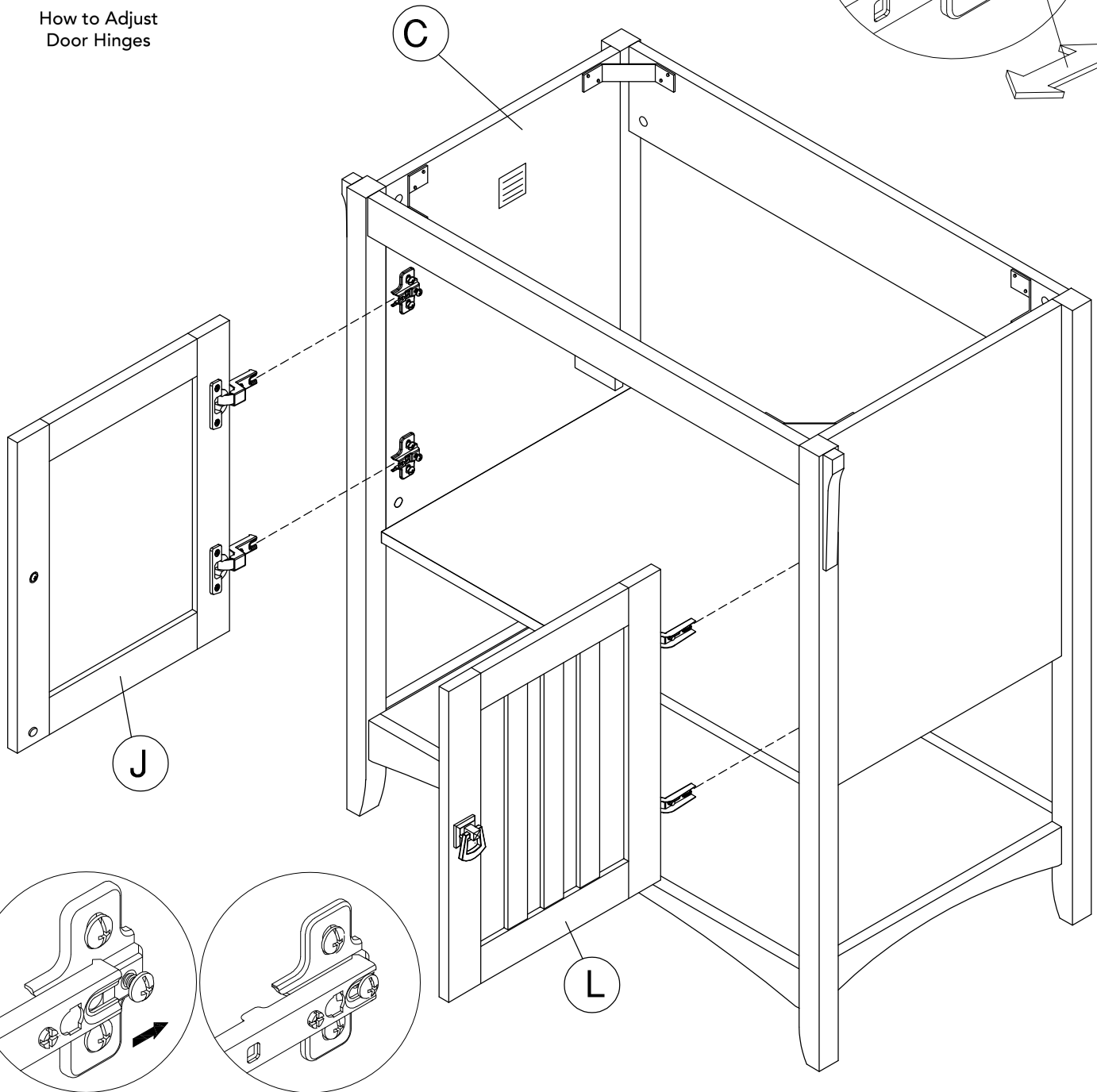
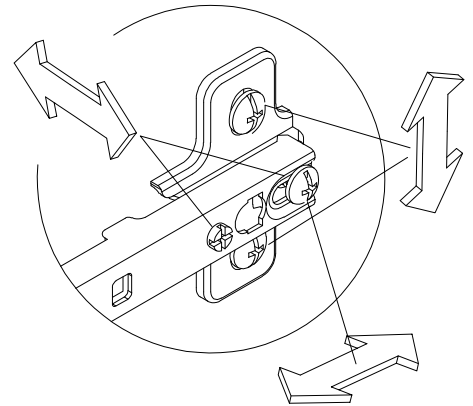
Assemble and Adjust Doors

A199325A

Scan QR Code to
Watch Video on:



How to Adjust
Door Hinges



Have an assembly question or need a replacement part? Just call
1-800-950-4782, we are here to help.

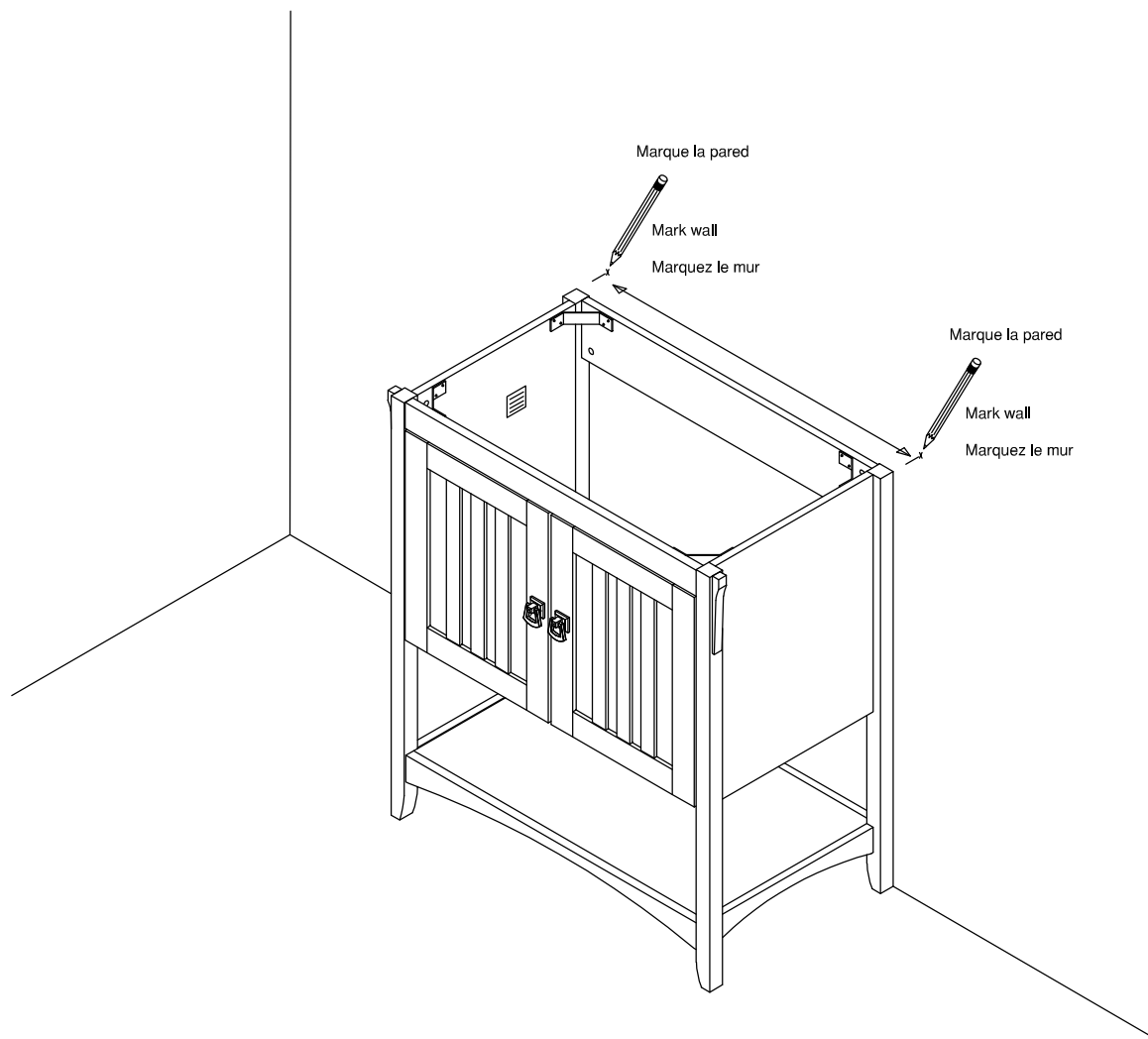
Scan QR Code to
Watch Video on:



Vanity Base
Attachment to
Wall Studs

Secure unit to wall studs. Unit intended for attachment against drywall. Consult your installation professional for installation against walls NOT made from drywall.

1. Place unit in desired location against wall.
2. Check level of unit and shim as required to achieve level top.
3. Mark top edge of unit and sides with pencil.



Have an assembly question or need a replacement part? Just call
1-800-950-4782, we are here to help.

Scan QR Code to Watch Video on:

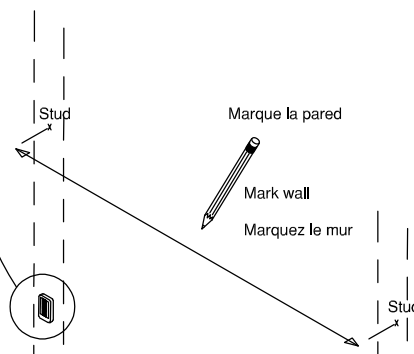
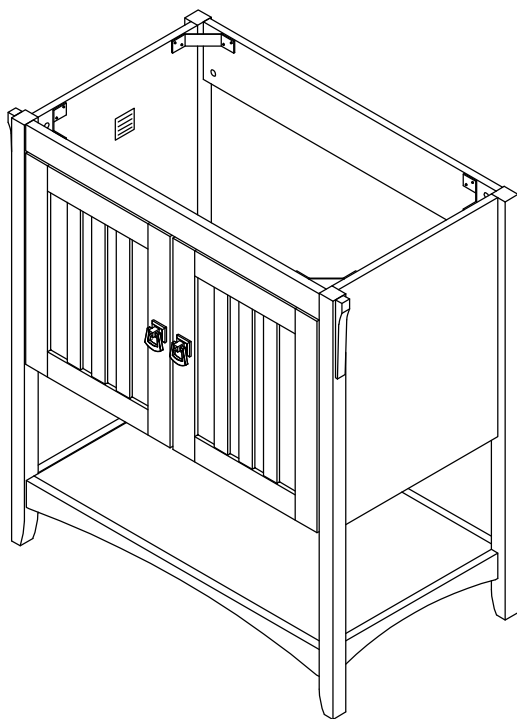
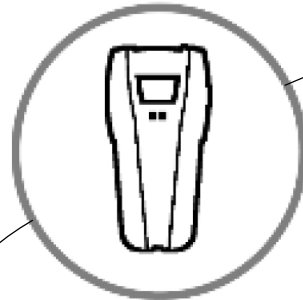


Vanity Base Attachment to Wall Studs

Move unit away from wall.

Using stud finder, locate and mark with pencil the centerline of 2 studs behind the unit.

stud finder
buscador de estudios
chercheur de goujons



Have an assembly question or need a replacement part? Just call **1-800-950-4782**, we are here to help.

Scan QR Code to Watch Video on:

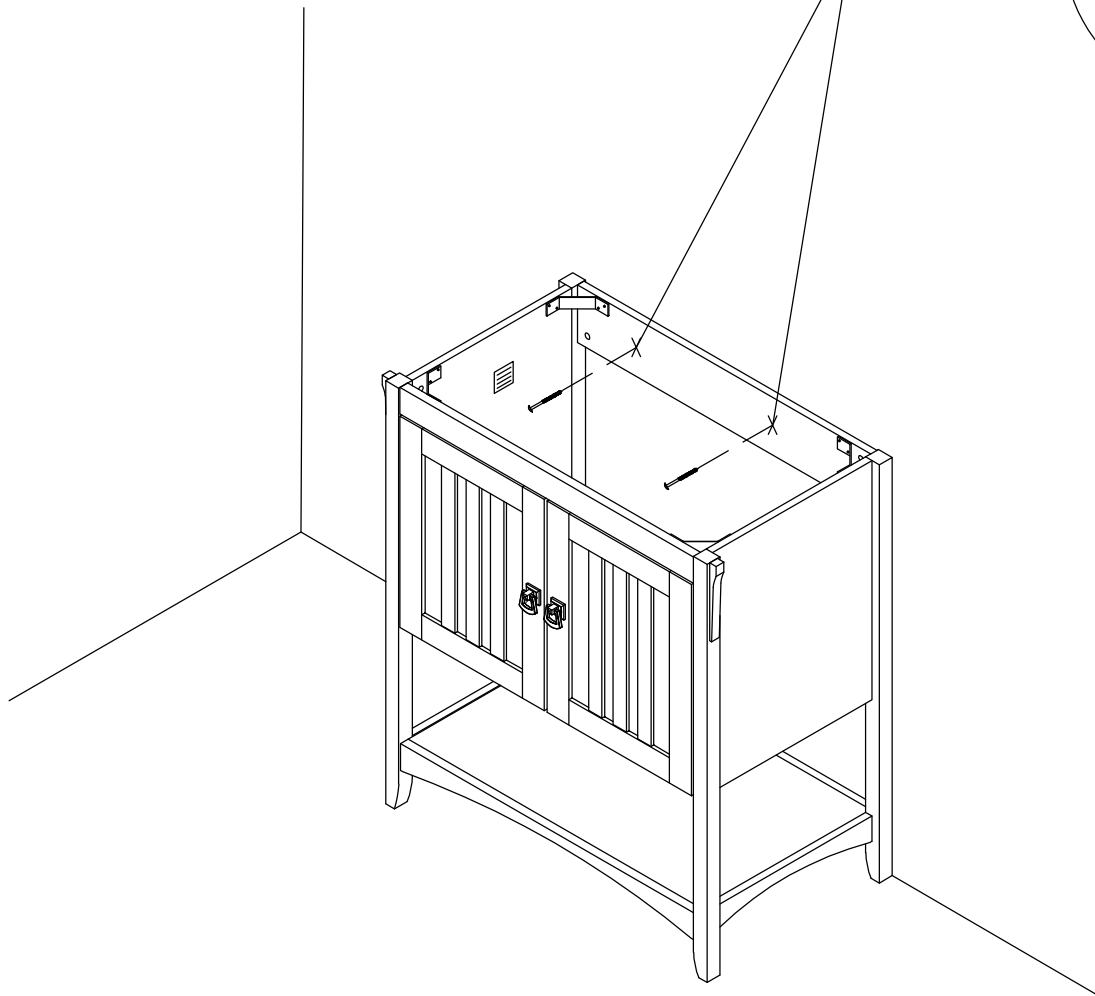
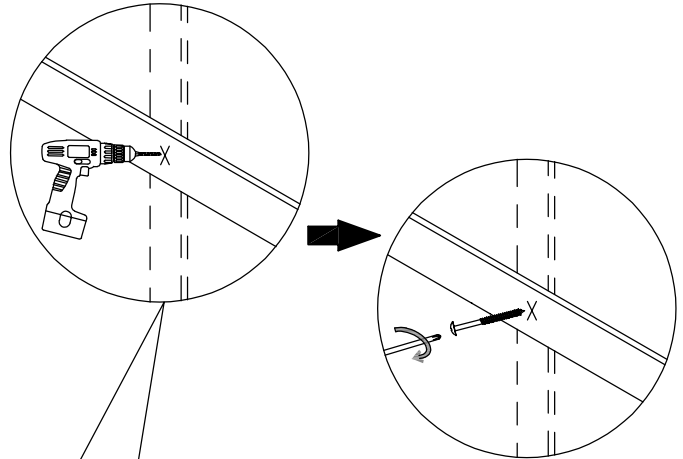
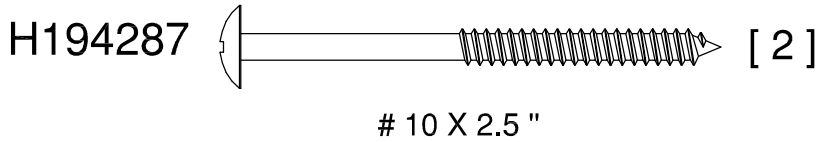


Vanity Base Attachment to Wall Studs

Place unit back against wall, verify level, and transfer stud centerline marks to unit top rail at back.

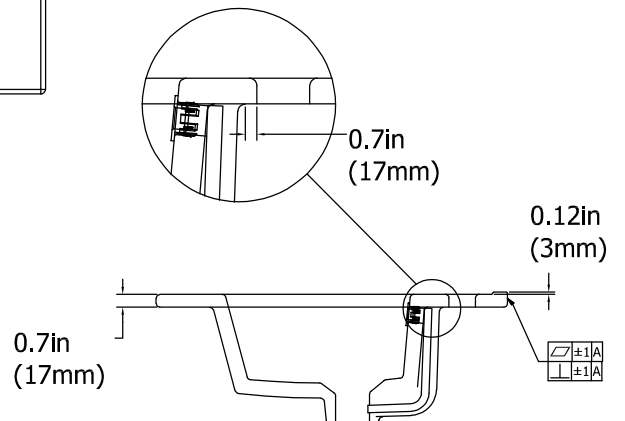
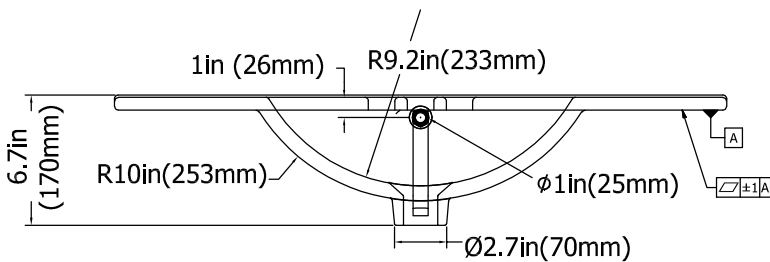
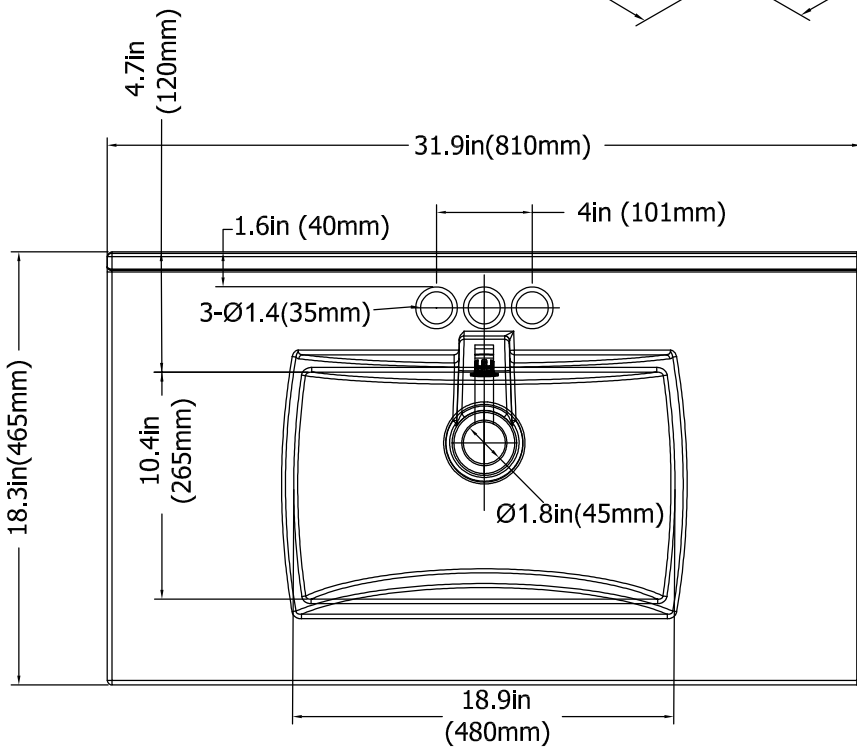
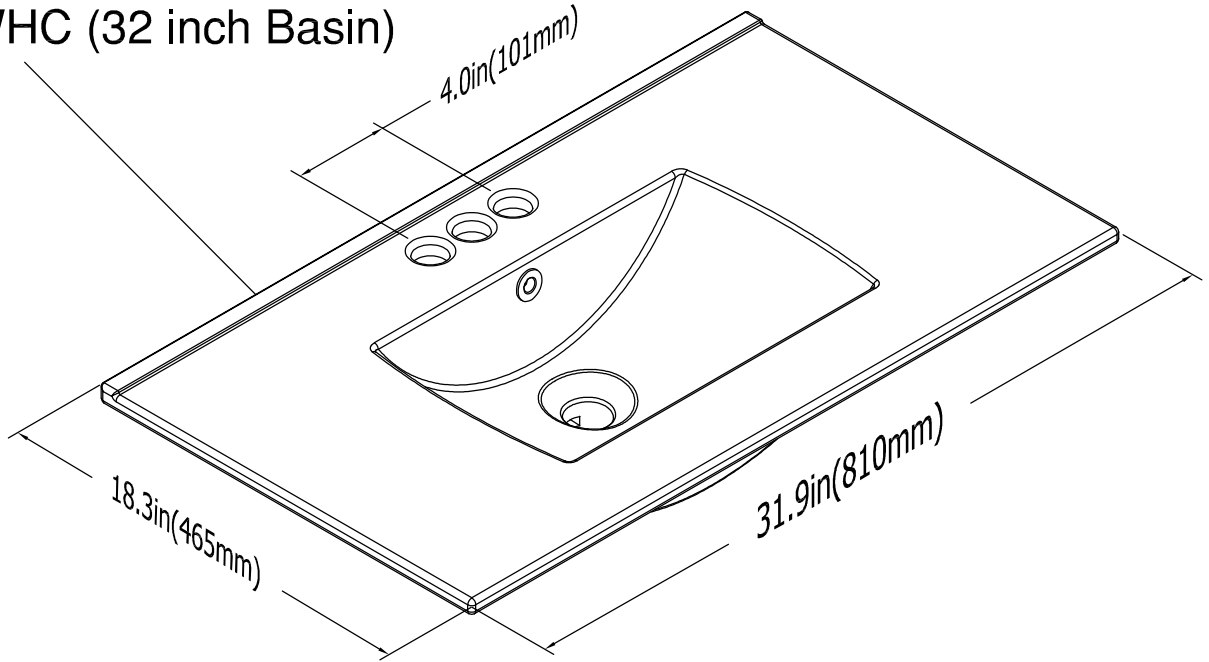
Drill (2) 1/8" (3mm) x 2.5" (60mm) holes through top rail into stud and secure using (2) #10 x 2.5" screws provided.

NOTE: There may be plumbing or electrical lines in the walls of residential dwellings. Care must be taken when drilling into walls. If you are not confident in your installation abilities, please consult an installation professional.

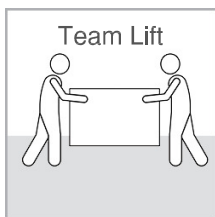


Have an assembly question or need a replacement part? Just call **1-800-950-4782**, we are here to help.

BNS1202WHC (32 inch Basin)

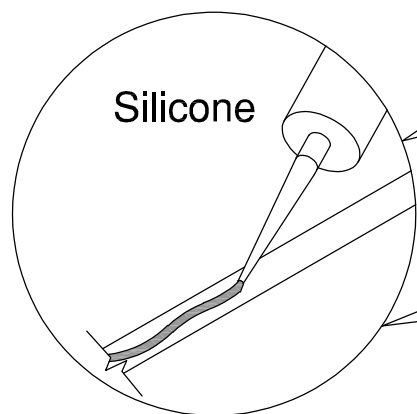
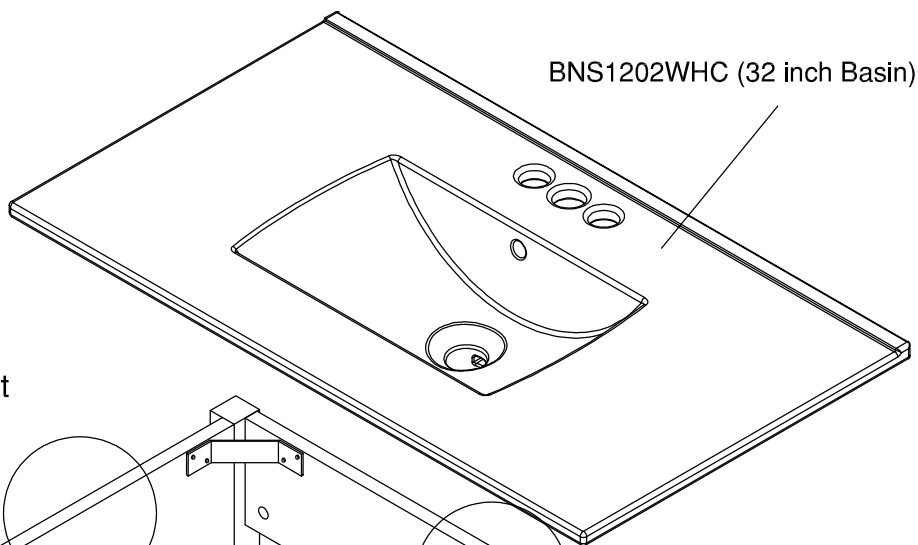


Have an assembly question or need a replacement part? Just call **1-800-950-4782**, we are here to help.

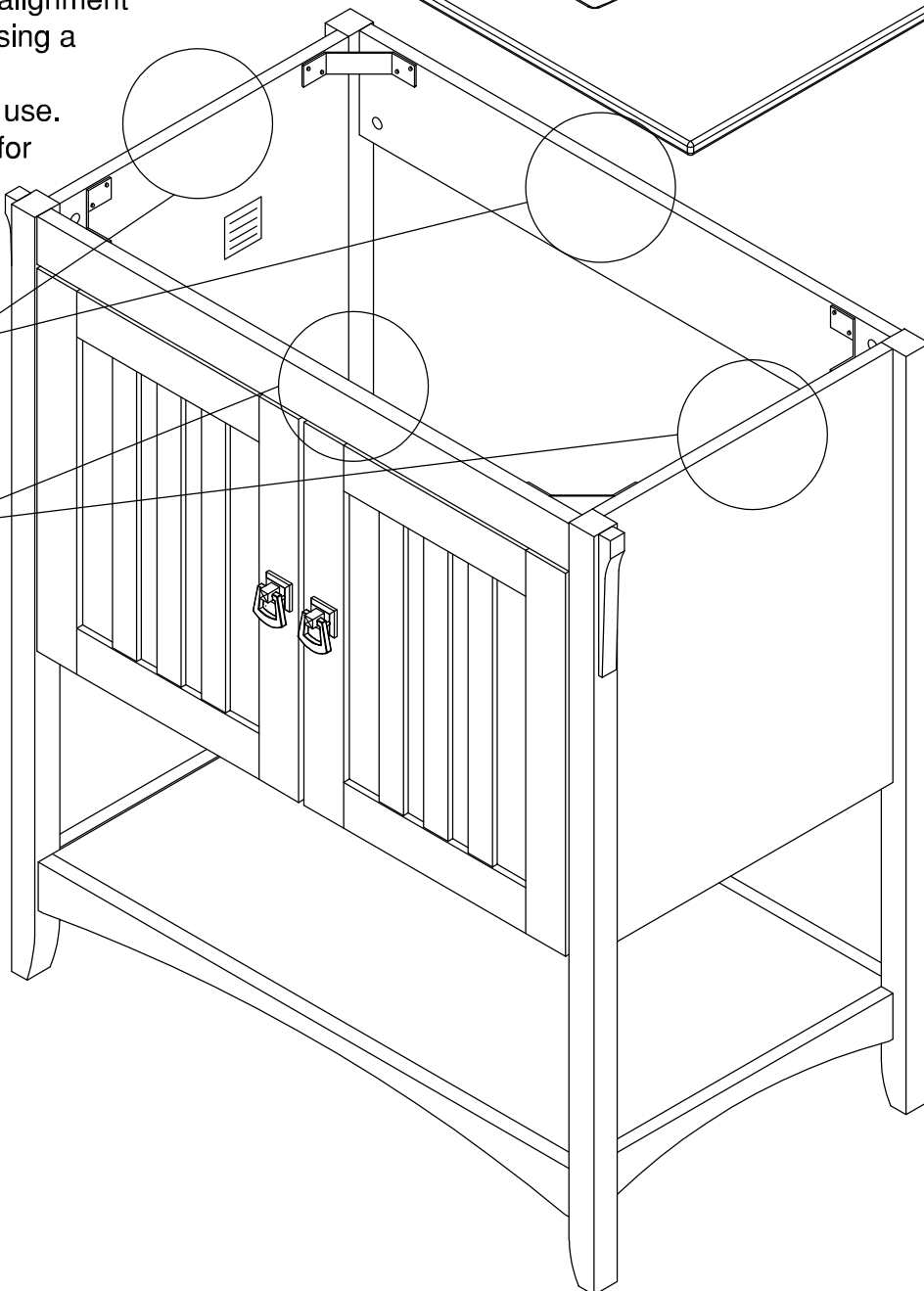


100% Silicone Adhesive shall be used to attached Basin to Base.

- 1.) Apply 1/4" (6mm) bead to top perimeter of Base
 - 2.) Set Basin to Base and check alignment
 - 3.) Clean any excess adhesive using a damp cloth.
 - 4.) Allow to cure 24 hours before use.
- Consult a plumbing professional for installation of the faucet.



Faucet, drain, silicone and all other plumbing components, tools and hardware are not included. Ensure the vanity is installed on a level floor. Unevenness can cause the vanity to become misaligned, resulting in twisting of the cabinet.



Have an assembly question or need a replacement part? Just call
1-800-950-4782, we are here to help.

STEP 21

Maximum Loading and Cleaning

A199325A

Scan QR Code to
Watch Video on:



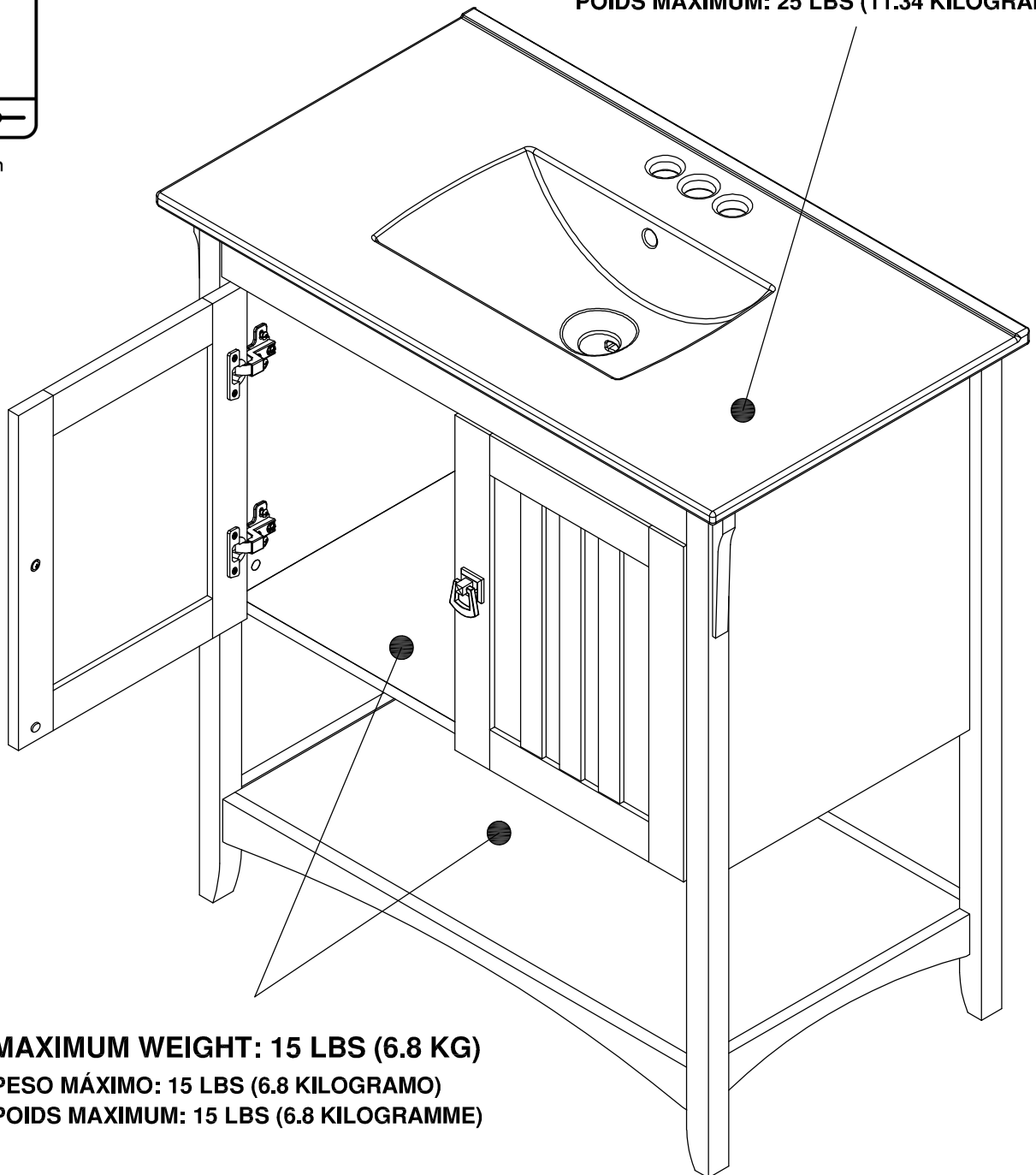
How to Clean
the Surface

Gently clean
surfaces with a damp
sponge eraser.

MAXIMUM WEIGHT: 25 LBS (11.34 KG)

PESO MÁXIMO: 25 LBS (11.34 KILOGRAMO)

POIDS MAXIMUM: 25 LBS (11.34 KILOGRAMME)



MAXIMUM WEIGHT: 15 LBS (6.8 KG)

PESO MÁXIMO: 15 LBS (6.8 KILOGRAMO)

POIDS MAXIMUM: 15 LBS (6.8 KILOGRAMME)

Congratulations! You are all done. If you
have any questions or concerns, please call.

Have an assembly question or need a replacement part? Just call
1-800-950-4782, we are here to help.

SAVN132LW

A	[1]	BNS1202WHC	G	[2]	W 199756
B	[1]	S 204055	H	[1]	W 204056
C	[1]	S 204054	I	[1]	W 204057
D	[1]	W 199753	J	[1]	S 199759
E	[1]	W 199754	K	[1]	W 199760
F	[1]	W 199755	L	[1]	S 198213

H200077



[37]

Cover Cap

SAVN132CG

A	[1]	BNS1202WHC	G	[2]	W 199766
B	[1]	S 204059	H	[1]	W 204060
C	[1]	S 204058	I	[1]	W 204061
D	[1]	W 199763	J	[1]	S 199769
E	[1]	W 199764	K	[1]	W 199770
F	[1]	W 199765	L	[1]	S 198223

H200076



[37]

Cover Cap

Have an assembly question or need a replacement part? Just call
1-800-950-4782, we are here to help.

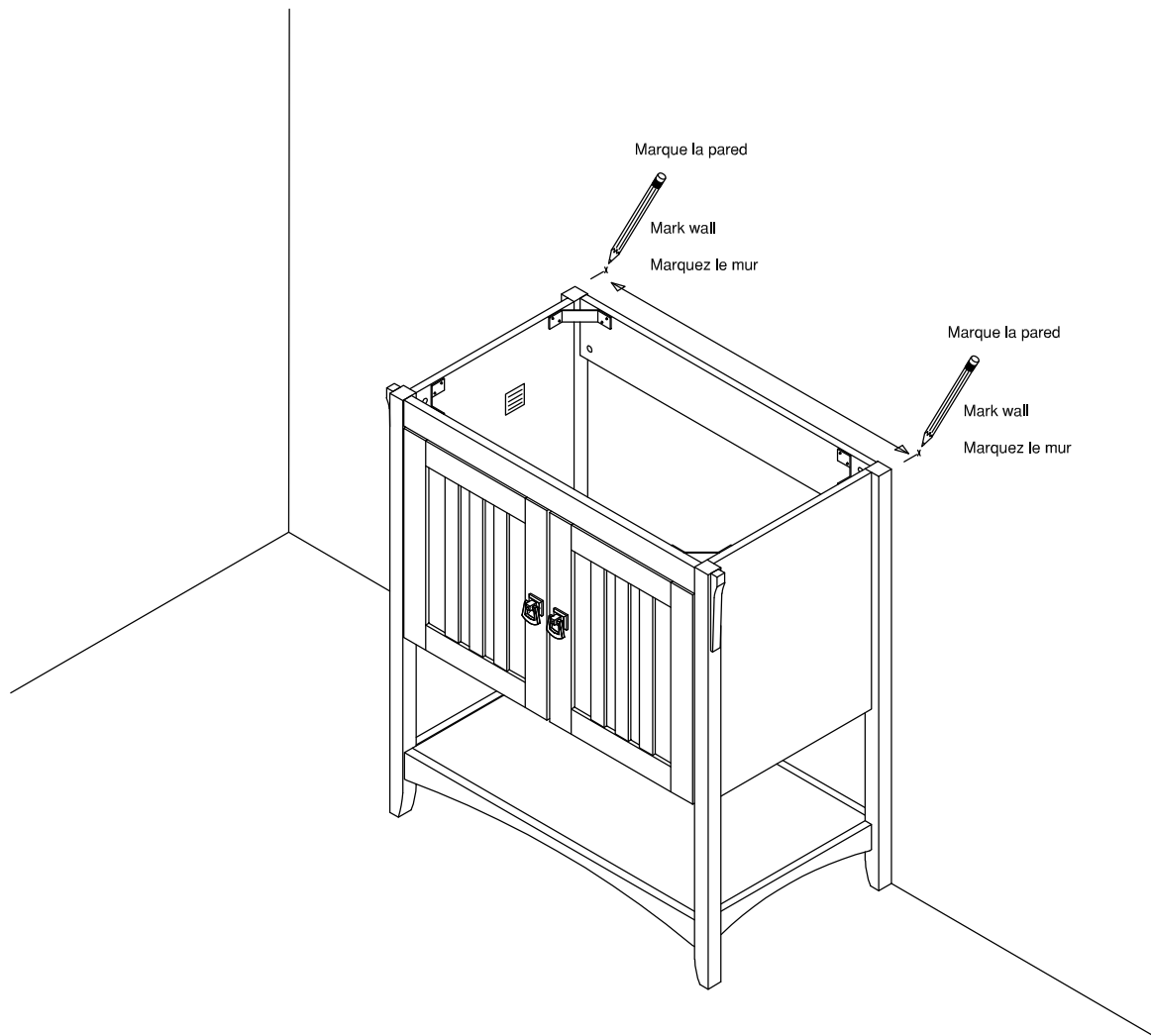
Scan QR Code to
Watch Video on:



Vanity Base
Attachment to
Wall Studs

Asegure la unidad a los montantes de la pared. Unidad destinada a fijación contra paneles de yeso. Consulte a su instalador para la instalación contra paredes que NO estén hechas de paneles de yeso.

1. Coloque la unidad en la ubicación deseada contra la pared.
2. Verifique el nivel de la unidad y calce según sea necesario para alcanzar el nivel superior.
3. Marque el borde superior de la unidad y los lados con un lápiz.



Have an assembly question or need a replacement part? Just call
1-800-950-4782, we are here to help.

Scan QR Code to Watch Video on:

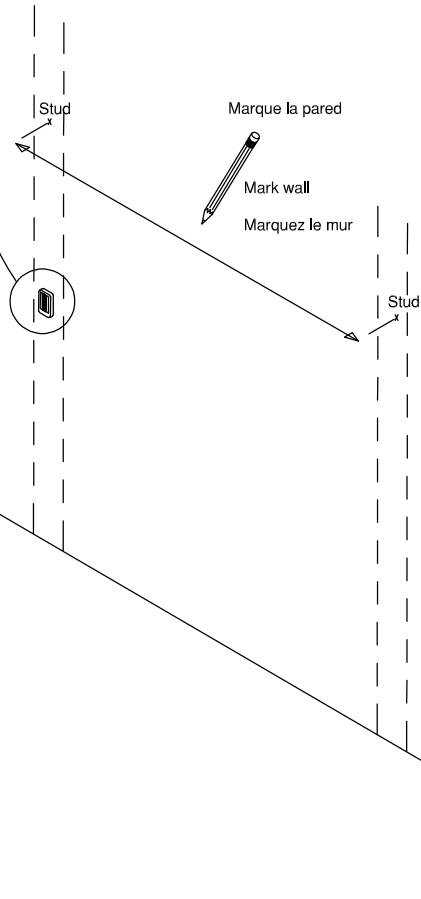
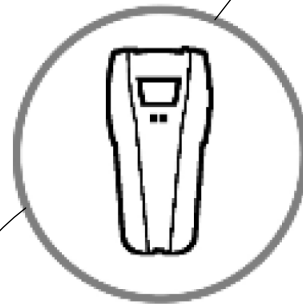
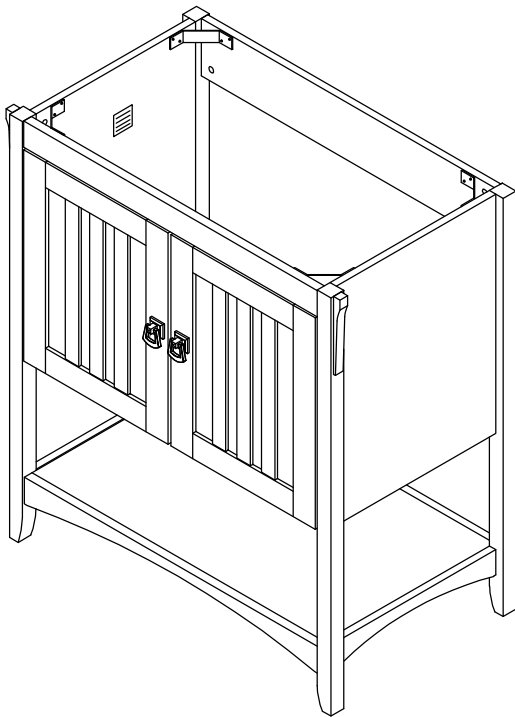


Vanity Base Attachment to Wall Studs

Aleje la unidad de la pared.

Con el buscador de vigas, ubique y marque con lápiz la línea central de 2 vigas detrás de la unidad.

stud finder
buscador de estudios
chercheur de goujons



Have an assembly question or need a replacement part? Just call **1-800-950-4782**, we are here to help.

Scan QR Code to Watch Video on:



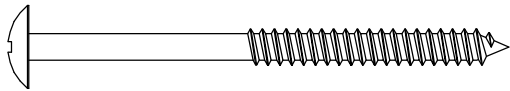
Vanity Base Attachment to Wall Studs

Coloque la unidad contra la pared, verifique el nivel y transfiera las marcas de la línea central de los montantes al riel superior de la unidad en la parte posterior.

Taladre (2) orificios de 1/8 "(3 mm) x 2,5" (60 mm) a través del riel superior en el montante y asegúrelos con (2) tornillos # 10 x 2,5 "incluidos.

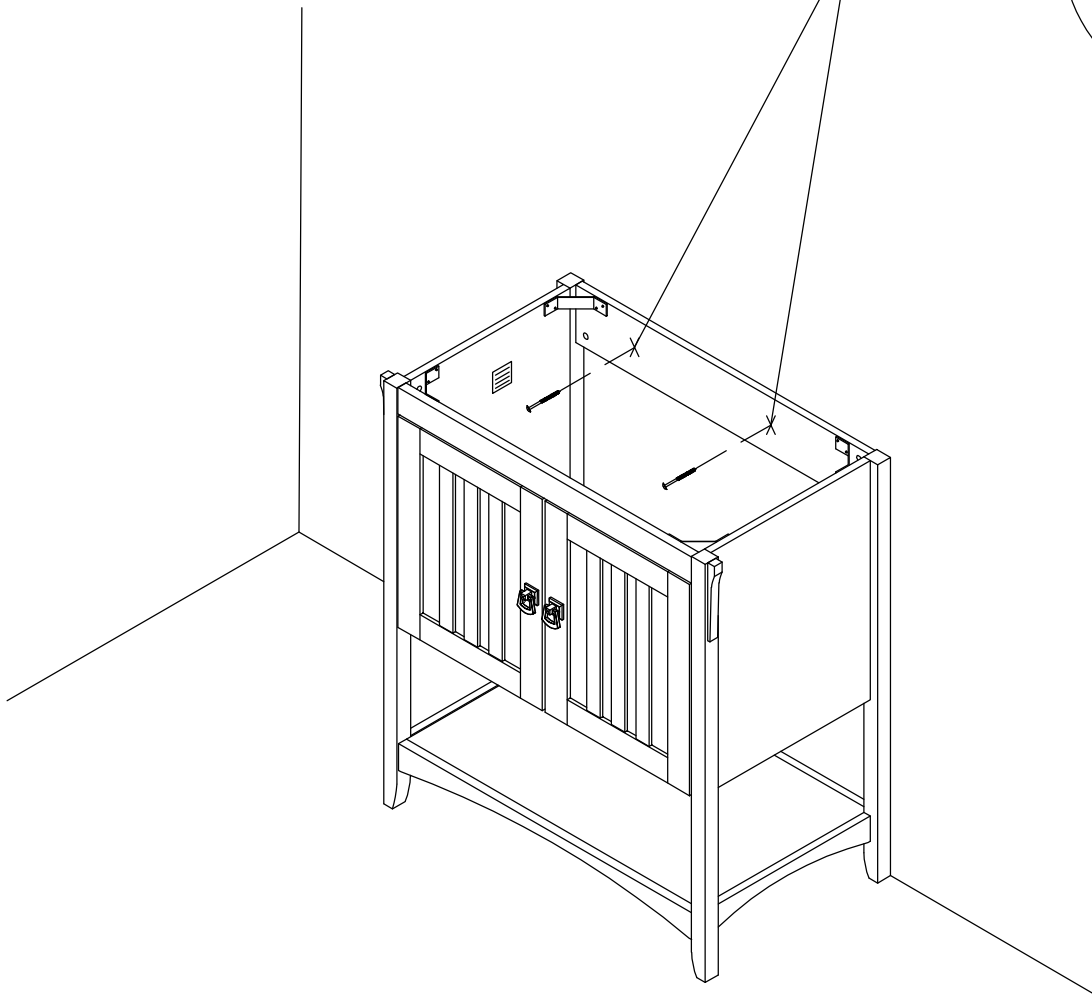
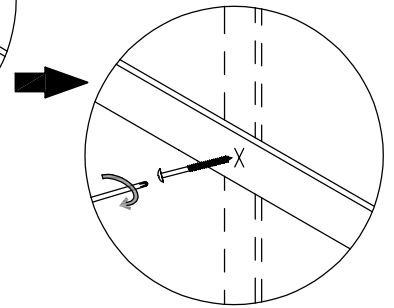
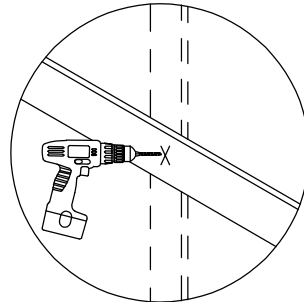
NOTA: Puede haber tuberías o líneas eléctricas en las paredes de las viviendas residenciales. Se debe tener cuidado al perforar paredes. Si no está seguro de sus capacidades de instalación, consulte a un instalador profesional.

H194287



[2]

10 X 2.5 "



Have an assembly question or need a replacement part? Just call **1-800-950-4782**, we are here to help.

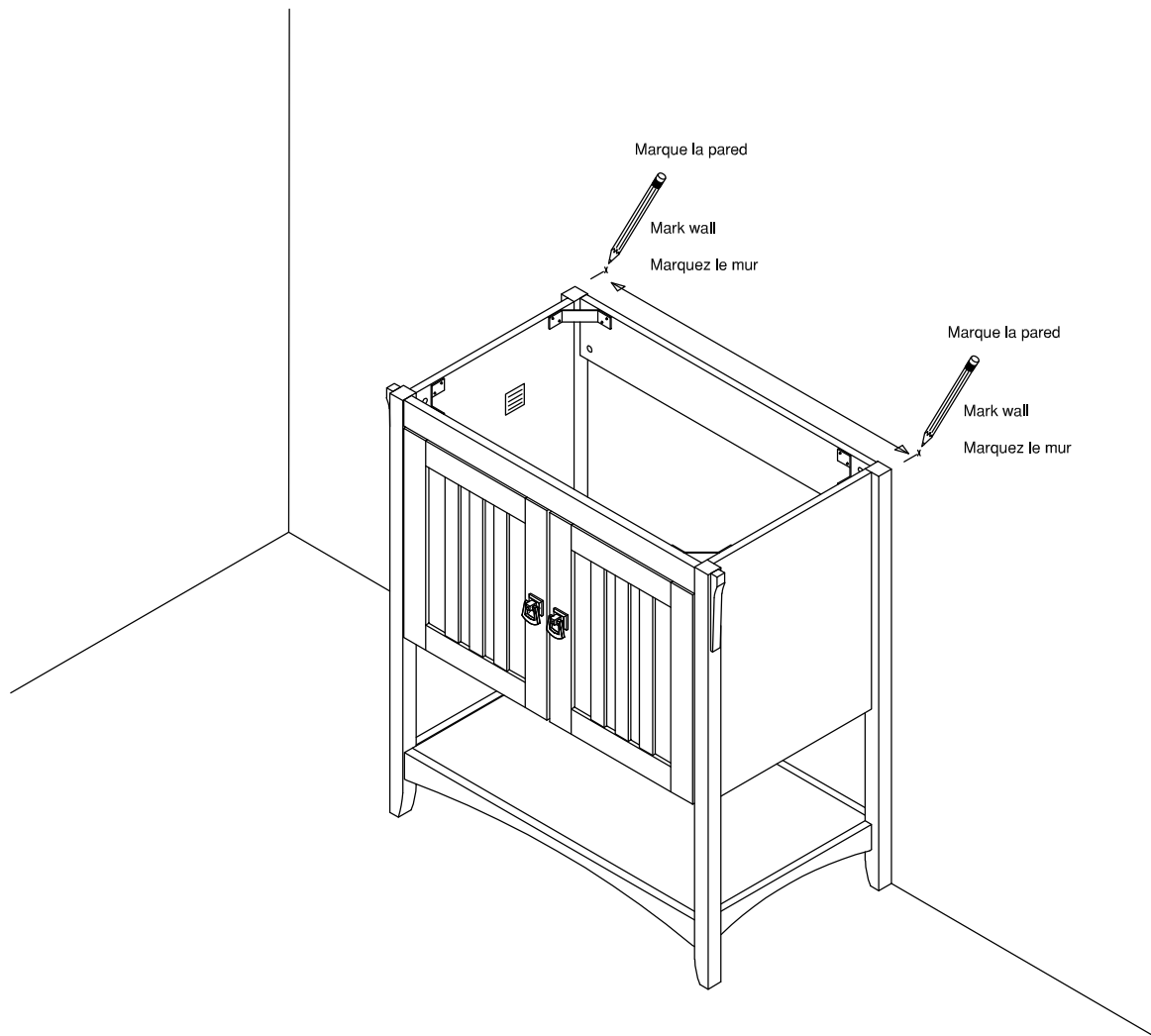
Scan QR Code to
Watch Video on:



Vanity Base
Attachment to
Wall Studs

Fixez l'unité aux montants muraux. Unité destinée à être fixée contre des cloisons sèches. Consultez votre professionnel de l'installation pour l'installation contre des murs NON fabriqués à partir de cloisons sèches.

- 1.) Placez l'unité à l'emplacement souhaité contre le mur.
- 2.) Vérifiez le niveau de l'unité et calez si nécessaire pour atteindre le niveau supérieur.
- 3.) Marquer le bord supérieur de l'appareil et les côtés avec un crayon.



Have an assembly question or need a replacement part? Just call
1-800-950-4782, we are here to help.

Scan QR Code to Watch Video on:

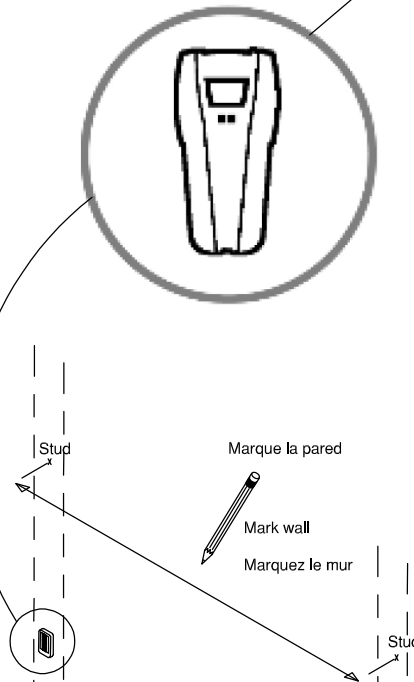
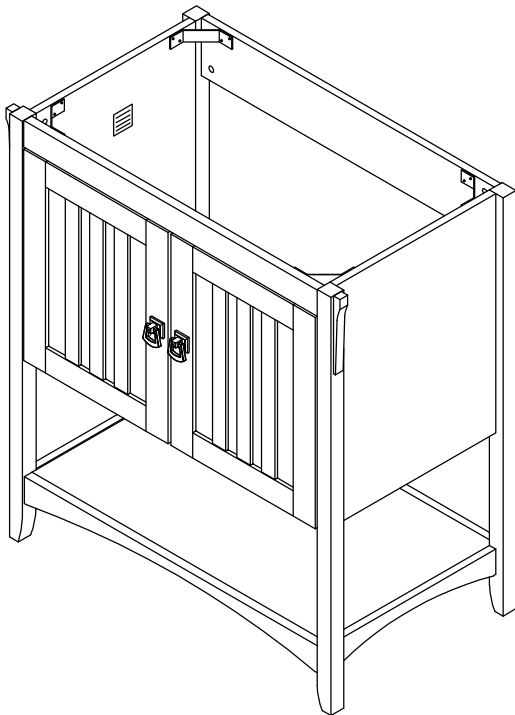


Vanity Base Attachment to Wall Studs

Éloignez l'appareil du mur.

À l'aide du détecteur de montants, localisez et marquez avec un crayon la ligne centrale de 2 montants derrière l'unité.

stud finder
buscador de estudios
chercheur de goujons



Have an assembly question or need a replacement part? Just call **1-800-950-4782**, we are here to help.

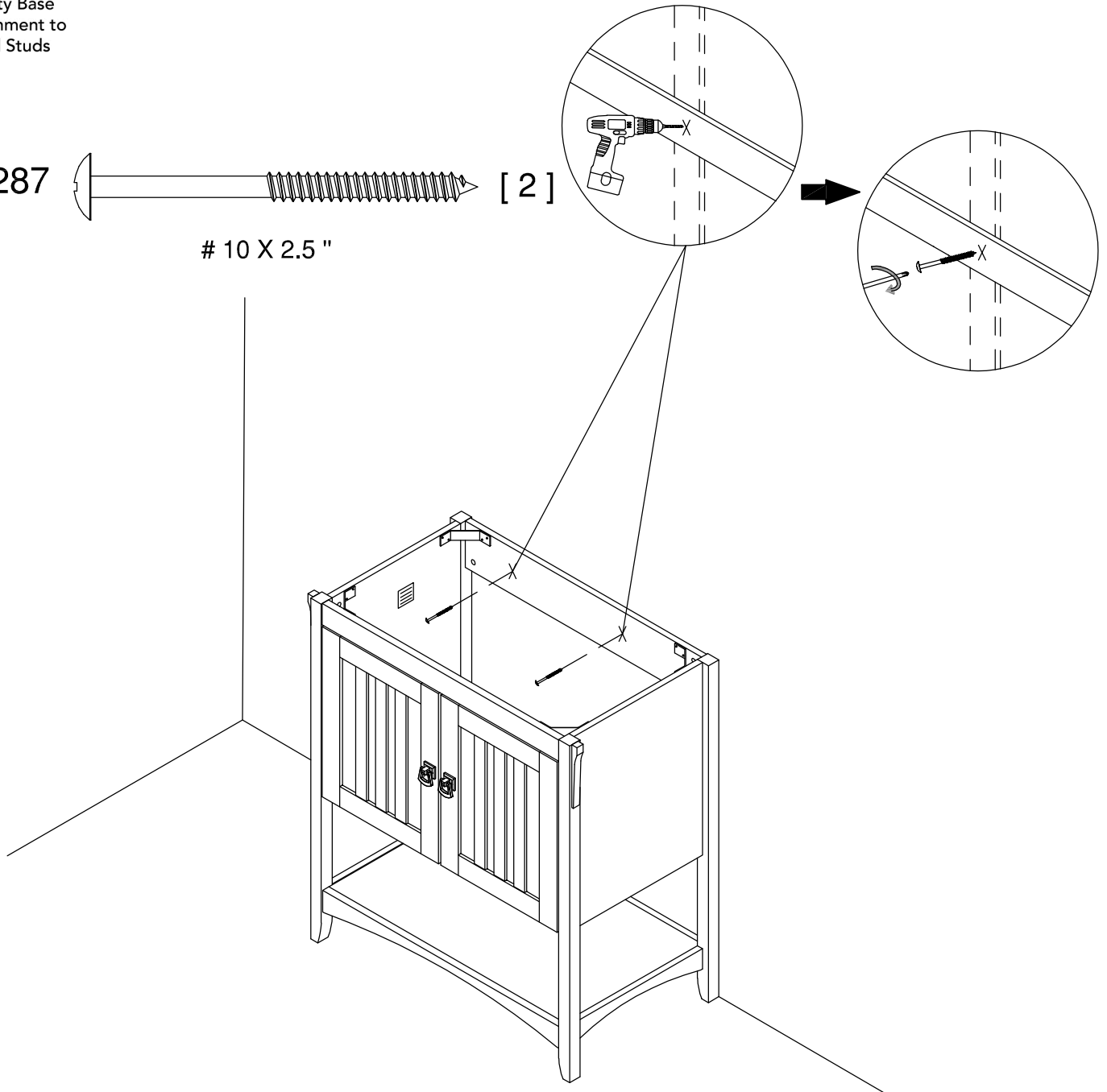
Scan QR Code to
Watch Video on:



Vanity Base
Attachment to
Wall Studs

Placez l'unité contre le mur, vérifiez le niveau et transférez les marques de ligne centrale des montants sur le rail supérieur de l'unité à l'arrière.
Percez (2) trous de 1/8 "(3 mm) x 2,5" (60 mm) à travers le rail supérieur dans le montant et fixez à l'aide des (2) vis # 10 x 2,5 "fournies.
REMARQUE: Il peut y avoir de la plomberie ou des lignes électriques dans les murs des habitations résidentielles. Des précautions doivent être prises lors du perçage dans les murs. Si vous n'êtes pas sûr de vos capacités d'installation, veuillez consulter un professionnel de l'installation.

H194287 [2]
10 X 2.5 "



Have an assembly question or need a replacement part? Just call
1-800-950-4782, we are here to help.

WARRANTY INFORMATION/INFORMATIONS POUR LA GARANTIE/INFORMACIÓN DE GARANTÍA

BUSH FURNITURE'S WRITTEN WARRANTY TO YOU

In order to provide you with timely assistance, please thoroughly inspect your furniture for missing or defective parts immediately after opening the carton. To receive replacement or missing parts under this warranty, call our Consumer Service Department TOLL-FREE at 1-800-950-4782. Please have the Model, Part, and Lot Numbers found in the instruction manual available for your reference. You will also need your sales receipt or other proof of purchase. Replacement part(s) will be shipped to you at no charge with Bush Industries assuming all shipping and handling charges.

This Bush Furniture product is warranted to the original purchaser at the time of purchase and for a period of one year thereafter.

We warrant to you, the original purchaser, that our furniture and all its parts and components are free of defects in material or workmanship. "Defects," as used in this warranty, is defined as any imperfection which impairs the use of the furniture product.

Our warranty is expressly limited to the replacement of furniture parts and components. For one year after the date of purchase, Bush will replace any parts that are defective in material or workmanship.

This warranty applies under conditions of normal use. Our Bush Furniture products are not intended for outdoor use. This warranty does not cover: 1) defects caused by improper assembly or disassembly; 2) defects occurring after purchase due to product modification, intentional damage, accident, misuse, abuse, negligence or exposure to the elements; and 3) labor or assembly costs. 4) batteries are not included.

IMPLIED WARRANTIES, INCLUDING THE WARRANTY OF MERCHANTABILITY, SHALL NOT EXTEND BEYOND THE DURATION OF THE WRITTEN WARRANTY STATED ABOVE, AND IN NO EVENT SHALL BUSH BE LIABLE FOR INCIDENTAL OR CONSEQUENTIAL DAMAGES RESULTING FROM USE OF THE PRODUCT. Some states do not allow a limitation on how long an implied warranty lasts or the exclusion or limitation of incidental or consequential damages, so the above limitation and exclusion may not apply to you.

This warranty gives you specific legal rights. You may also have other rights that may vary from state to state.

VOTRE GARANTIE BUSH FURNITURE

Afin de vous assister rapidement, veuillez inspecter votre mobilier en détail immédiatement après l'ouverture du carton en cas de pièces manquantes ou défectueuses. Pour recevoir une pièce de rechange ou manquante couverte par cette garantie, appelez notre département de service clientèle GRATUITEMENT au 1-800-950-4782. Veuillez tenir à disposition les numéros de modèle, de pièce et de lot qui se trouvent dans le manuel d'instruction pour votre référence. Vous aurez également besoin de votre reçu ou d'une autre preuve d'achat. La (les) pièce(s) de rechange vous sera (seront) envoyée(s) sans frais, Bush Industries se chargeant de tous les frais d'expédition.

Tout le produit Bush Furniture est garanti à l'acheteur original à partir de la date d'achat pour une période d'un an.

Nous vous garantissons, à vous l'acheteur original, que notre mobilier et toutes ses pièces et composants sont sans défaut de matériau ou de fabrication. Le terme "défauts" utilisé dans cette garantie, est défini comme étant toutes les imperfections qui compromettent l'utilisation du meuble.

Notre garantie est expressément limitée au remplacement des pièces et des composants du mobilier. Pendant un an après la date d'achat, Bush remplacera toute pièce défectueuse dans le matériau ou sa fabrication.

Cette garantie d'applique sous des conditions d'utilisation normale. Nos produits ne sont pas destinés à être utilisés en plein air. Cette garantie ne couvre pas: 1) les défauts causés par un mauvais assemblage ou démontage, 2) les défauts ayant lieu après l'achat et dus à la modification du produit, des dommages intentionnels, des accidents, une mauvaise utilisation, un mauvais traitement, la négligence ou l'exposition aux éléments, et 3) les frais de main d'œuvre ou d'assemblage. 4) les piles ne sont pas incluses.

LES GARANTIES TACITES, Y COMPRIS LA GARANTIE DE QUALITE MARCHANDE, NE S'ETENDRONT PAS AU-DELA DE LA DUREE ECRITE CITEE CI-DESSUS, ET BUSH NE SERA EN AUCUN CAS RESPONSABLE DES DOMMAGES ACCESSOIRES OU INDIRECTS RESULTANT DE L'UTILISATION DU PRODUIT. Certains états ne permettent pas d'appliquer une limite à la durée de la garantie tacite, ni une exclusion ou limitation des dommages accessoires ou indirects; dans ce cas les limitations ou exclusion ci-dessus peuvent ne pas s'appliquer à vous.

Cette garantie vous donne des droits légaux spécifiques. Il se peut que vous ayez également d'autres droits qui peuvent varier d'un état à l'autre.

GARANTIA ESCRITA DE BUSH FURNITURE PARA USTED

Para brindarle asistencia oportuna, por favor, verifique detalladamente que a su mueble no le falte o tenga piezas defectuosas inmediatamente después de abrir la caja. Para recibir un reemplazo o la parte faltante bajo esta garantía, llame a nuestro Departamento de Servicio al Consumidor GRATIS al 1-800-950-4782. Sírvase traer los números de modelo, parte y lote que se encuentran en el manual de instrucciones disponible para su referencia. Además, necesitará el recibo de su compra u otra prueba de compra. La(s) pieza(s) de reemplazo le será(n) enviada(s) sin recargo por Bush Industries asumiendo los gastos de envío y manipuleo.

Todo mueble de Bush Furniture es garantizado al comprador original al momento de la compra y por un periodo de uno año en adelante.

Le garantizamos a usted, el comprador original, que nuestros muebles sus partes y componentes están libres de defectos en materiales o trabajo. "Defectos", según se usa en esta garantía, se define como una imperfección que perjudica el uso del producto mobiliario.

Nuestra garantía se limita expresamente al reemplazo de partes y componentes mobiliarios. Durante uno año después de la fecha de compra, Bush reemplazará cualquier parte defectuosa en material o trabajo.

Esta garantía se aplica bajo condiciones de uso normal. Nuestros productos de Bush Furniture no son para uso en exteriores. Esta garantía no cubre: 1) defectos causados por un ensamblaje o desensamblaje inadecuado; 2) defectos que ocurran después de la compra debido a modificación del producto, daño intencional, accidente, mal uso, abuso, negligencia o exposición a los elementos; y 3) costos de trabajo o ensamblaje. 4) las baterías no están incluidas.

LAS GARANTÍAS IMPLICADAS, INCLUYENDO LA GARANTÍA DE COMERCIABILIDAD, NO SE EXTENDERÁN MÁS ALLÁ DE LA DURACIÓN DE LA GARANTÍA ESCRITA MENCIONADA, Y EN NINGÚN CASO BUSH SERÁ RESPONSABLE POR DAÑOS INCIDENTALES O CONSIGUIENTES COMO RESULTADO DEL USO DEL PRODUCTO. Algunos estados no permiten una limitación sobre el tiempo de duración de la garantía implicada o la exclusión o limitación de daños incidentales o consiguientes, de manera que la limitación y exclusión mencionadas pueden no aplicarse para usted.

Esta garantía le otorga derechos legales específicos. Puede también tener otros derechos que pueden variar según los estados.

1-Year
Manufacturer's
Warranty

Register your product online:

Scan the QR Code or go to
[https://bushfurniture.com/
activate-warranty/](https://bushfurniture.com/activate-warranty/)



Assembly tips & how to videos:

Scan the QR Code to access our video
guides [https://bushfurniture.com/
help-faq/#assembling](https://bushfurniture.com/help-faq/#assembling)

