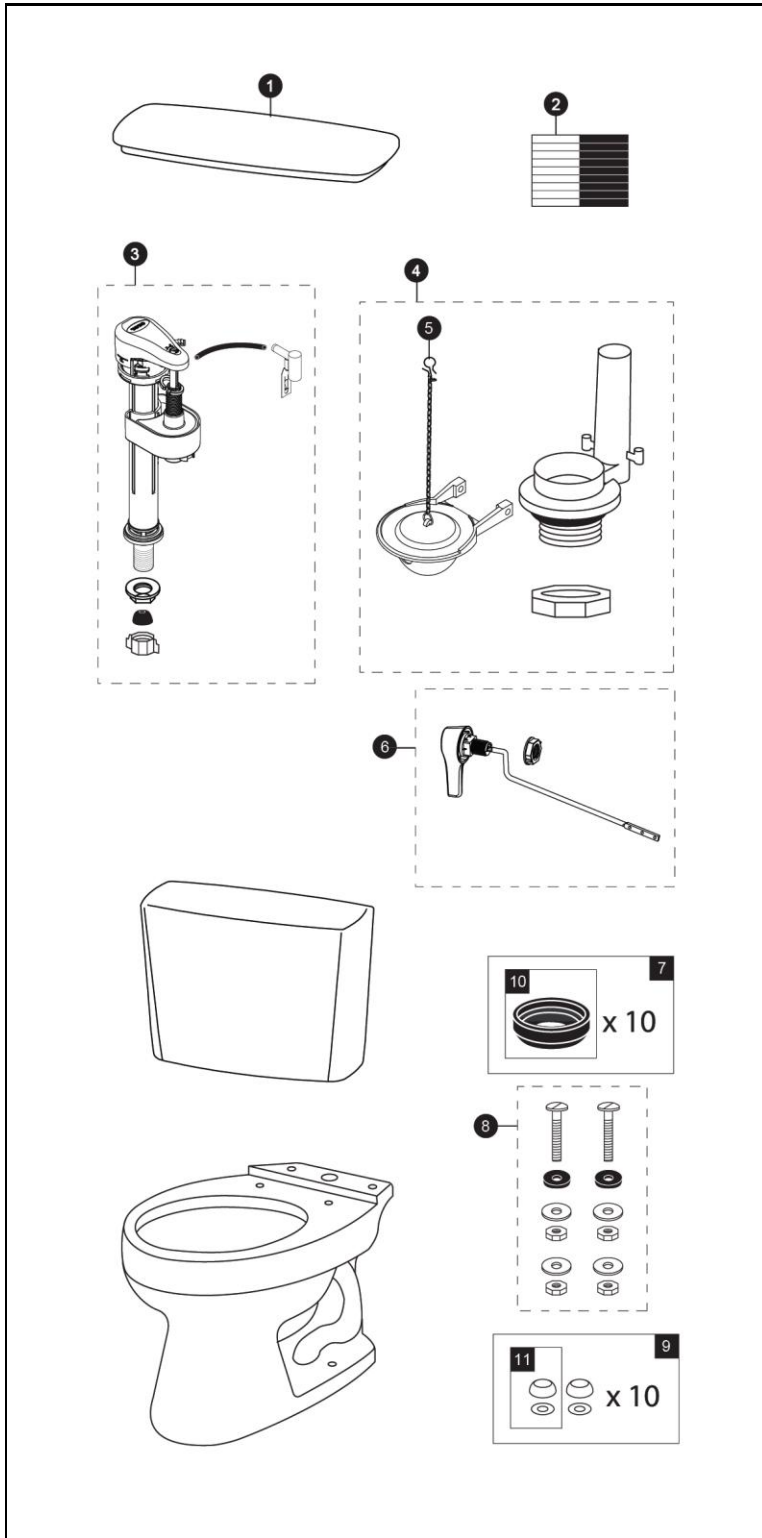


CST743EN
ST744E
C743E

CST743ERN
ST744ER

EcoDrake® Transitional 1.28 Gpf Toilet, Round, E-Max®, 12" Rough-In



Item	Part	Description
1	TCU744CRE#01	Tank Lid w/ Velcro Tape - Cotton
	TCU744CRE#03	Tank Lid w/ Velcro Tape - Bone
	TCU744CRE#11	Tank Lid w/ Velcro Tape - Colonial White
	TCU744CRE#12	Tank Lid w/ Velcro Tape - Sedona Beige
	TCU744CRE#51	Tank Lid w/ Velcro Tape - Ebony
2	THU107	Velcro Tape
3	TSU53A	Fill Valve
4	THU252P-A	Flush Valve Assembly w/ Flapper
5	THU499S	Flapper w/ Chain
6	THU396#CP	Trip Lever, Left Hand
	THU399#CP	Trip Lever, Right Hand
7	THU131	Tank to Bowl Gaskets (for 10 toilets)
8	TSU01D	Tank Mounting Kit
9	THU098#01	Bolt Cap Sets (for 10 toilets) - Cotton
	THU098#03	Bolt Cap Sets (for 10 toilets) - Bone
	THU098#11	Bolt Cap Sets (for 10 toilets) - Colonial White
	THU098#12	Bolt Cap Sets (for 10 toilets) - Sedona Beige
	THU098#51	Bolt Cap Sets (for 10 toilets) - Ebony
10	9BU024E	3" Tank to Bowl Gasket
11	THU044#01	Bolt Cap Set (for 1 Toilet) - Cotton
	THU044#03	Bolt Cap Set (for 1 Toilet) - Bone
	THU044#11	Bolt Cap Set (for 1 Toilet) - Colonial White
	THU044#12	Bolt Cap Set (for 1 Toilet) - Sedona Beige
	THU044#51	Bolt Cap Set (for 1 Toilet) - Ebony

Note:

Product Number Explanations		
Two-Piece Toilet	Tank	Bowl
(CST) Gravity Type Toilet	(ST) Tank	(C) Bowl
(744) Model #	(744) Model #	(744) Model #
(E) E-Max®	(E) E-Max®	(E) E-Max®
(L) ADA Compliant	(R) Right Hand	(L) ADA Compliant
(R) Right Hand Option	Option	
(N) Model Letter		

Actual Product may vary slightly from illustration.