
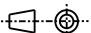
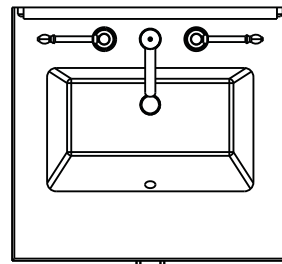
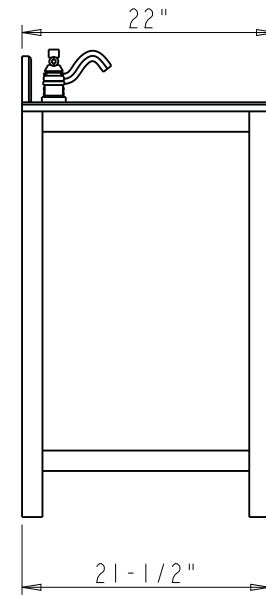
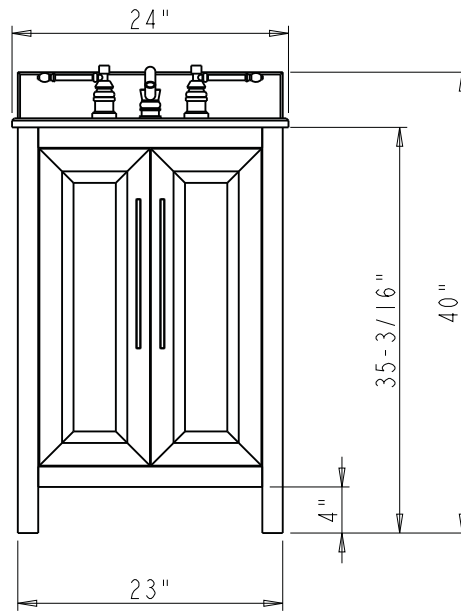
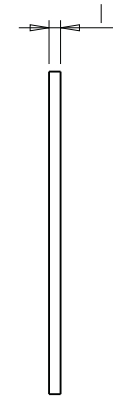
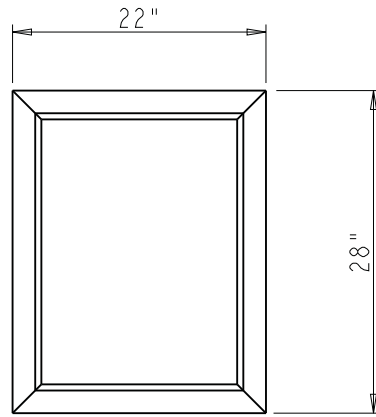


Adjustable-Shelf

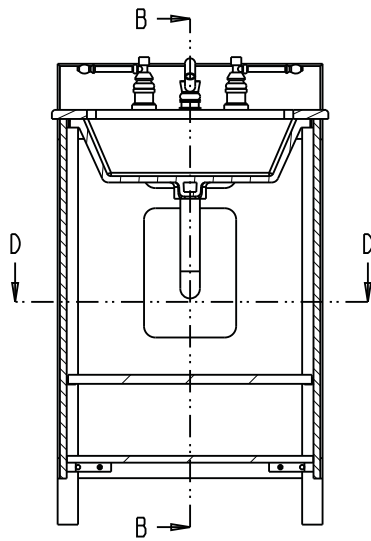
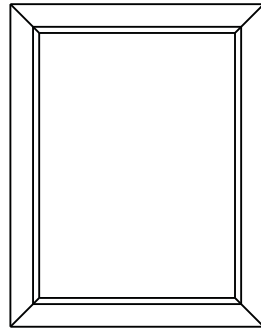
Specification:

1. Material: MDF + Birch
2. Finish: Black
3. Hardware: 625-320PC (4 PCS) on the door
625-3PC (3 PCS) on the drawer
4. Slides: USE15 (3 Sets)
5. Hinge: 700.0536.05 + 600.1233.05
6. Shelf Supports: 1706 (8 PCS)
7. Bowl: H8910WH
8. The tolerance is +/- 1/8"

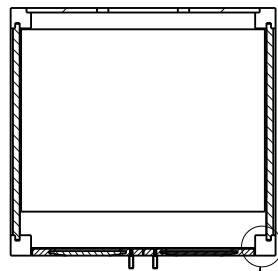
 PROPRIETARY AND CONFIDENTIAL <small>THE INFORMATION CONTAINED IN THIS DRAWING IS THE SOLE PROPERTY OF HARDWARE RESOURCES INC. ANY REPRODUCTION IN PART OR AS A WHOLE WITHOUT THE WRITTEN PERMISSION OF HARDWARE RESOURCES INC. IS PROHIBITED.</small> <small>DO NOT SCALE DRAWING</small>	ITEM#: VAN101-24-T		MATERIAL:	
	FINISH:		WEIGHT: 9	
		PROJECTION 		
TOLERANCE UNLESS OTHERWISE SPECIFIED: X ±0.20 X.X ±0.10 X.XX ±0.05 ANGULAR: ±0.5°		UNITS:	DRAWN BY: Hugo.cai	DATE: 03-24-16
		SIZE:	APPROVED BY:	DATE:
		SHEET:	RELEASE LEVEL:	REVISION:



	ITEM#: VAN101-24-T		MATERIAL:	
	FINISH:		WEIGHT: 9	
<p>PROPRIETARY AND CONFIDENTIAL</p> <p>THE INFORMATION CONTAINED IN THIS DRAWING IS THE SOLE PROPERTY OF HARDWARE RESOURCES INC. ANY REPRODUCTION IN PART OR AS A WHOLE WITHOUT THE WRITTEN PERMISSION OF HARDWARE RESOURCES INC. IS PROHIBITED.</p> <p>DO NOT SCALE DRAWING</p>	TOLERANCE UNLESS OTHERWISE SPECIFIED:		PROJECTION	
	UNITS:	DRAWN BY:	DATE:	
	SIZE:	APPROVED BY:	DATE:	
	SHEET:	RELEASE LEVEL:	REVISION:	

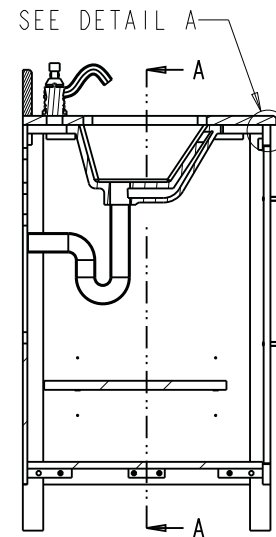


SECTION A-A

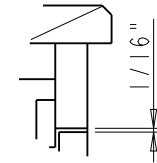


SEE DETAIL C

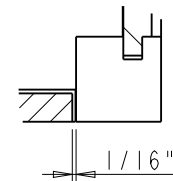
SECTION D-D




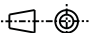
SECTION B-B

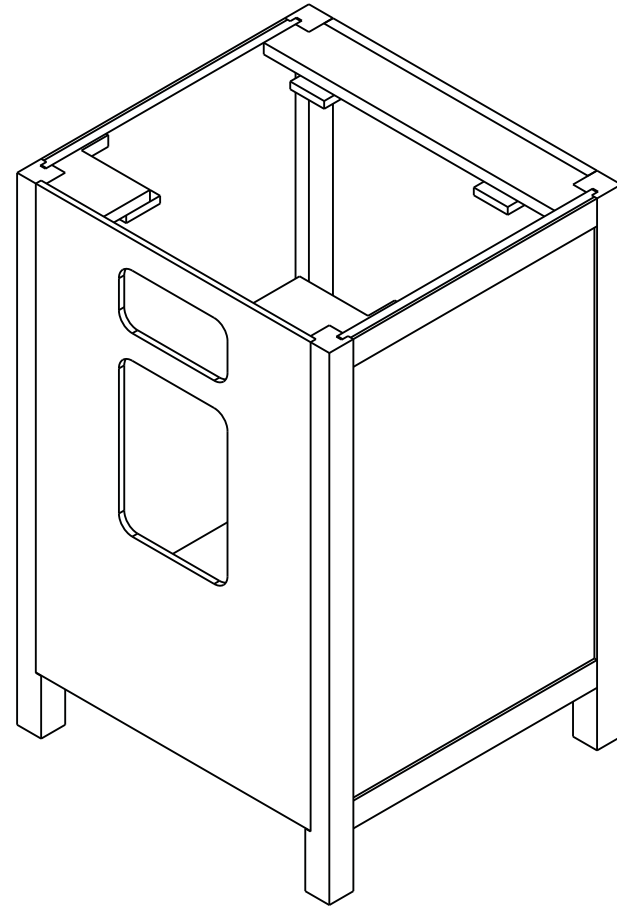
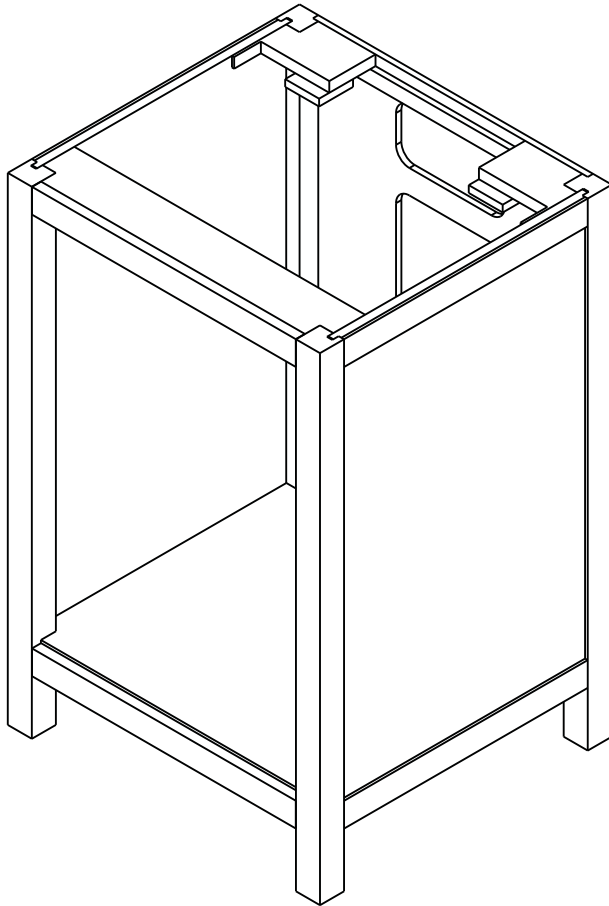



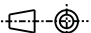
DETAIL A
SCALE 1:4

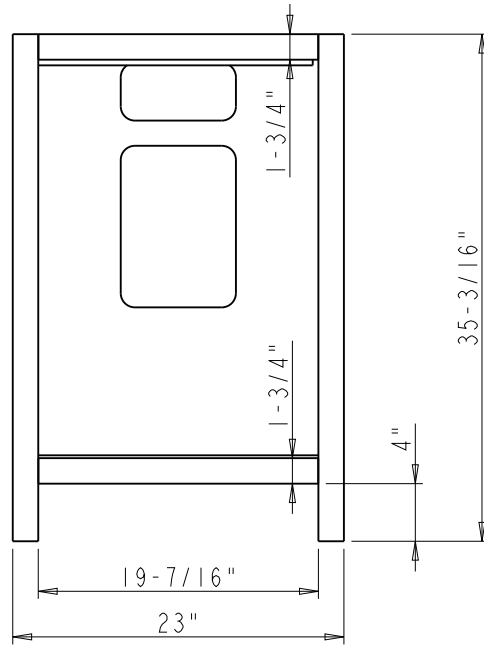


DETAIL C
SCALE 1:4

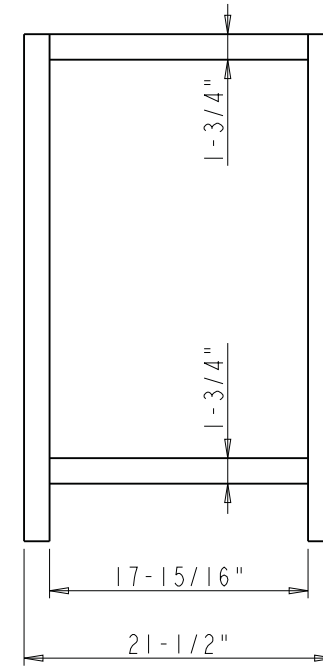
	ITEM#: VAN101-24-T		MATERIAL:		
	FINISH:		WEIGHT:		
<p>PROPRIETARY AND CONFIDENTIAL</p> <p>THE INFORMATION CONTAINED IN THIS DRAWING IS THE SOLE PROPERTY OF HARDWARE RESOURCES INC. ANY REPRODUCTION IN PART OR AS A WHOLE WITHOUT THE WRITTEN PERMISSION OF HARDWARE RESOURCES INC. IS PROHIBITED.</p> <p>DO NOT SCALE DRAWING</p>	UNITS:		DRAWN BY:	DATE:	
	TOLERANCE UNLESS OTHERWISE SPECIFIED:		Hugo.cai		03-24-16
	SIZE:	APPROVED BY:	DATE:		
	SHEET:	RELEASE LEVEL:	REVISION:		
<p>PROJECTION</p> 					



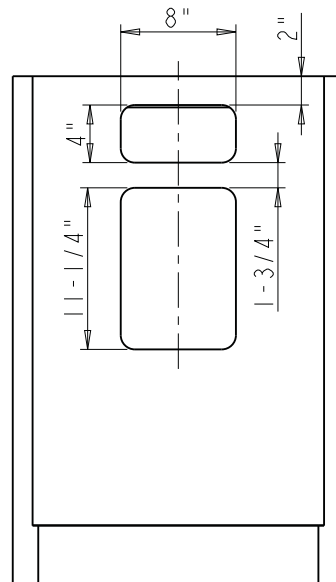
 PROPRIETARY AND CONFIDENTIAL THE INFORMATION CONTAINED IN THIS DRAWING IS THE SOLE PROPERTY OF HARDWARE RESOURCES INC. ANY REPRODUCTION IN PART OR AS A WHOLE WITHOUT THE WRITTEN PERMISSION OF HARDWARE RESOURCES INC. IS PROHIBITED.	ITEM:	CABINET-24-T		MATERIAL:
	FINISH:			WEIGHT:
				9
				PROJECTION 
	TOLERANCE UNLESS OTHERWISE SPECIFIED:	UNITS:	DRAWN BY:	DATE:
	X ±0.20		Hugo.cai	03-24-16
	X.X ±0.10	SIZE:	APPROVED BY:	DATE:
	X.XX ±0.05			
	ANGULAR: ±0.5°	SHEET:	RELEASE LEVEL:	REVISION:
	DO NOT SCALE DRAWING			




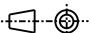
FRONT VIEW

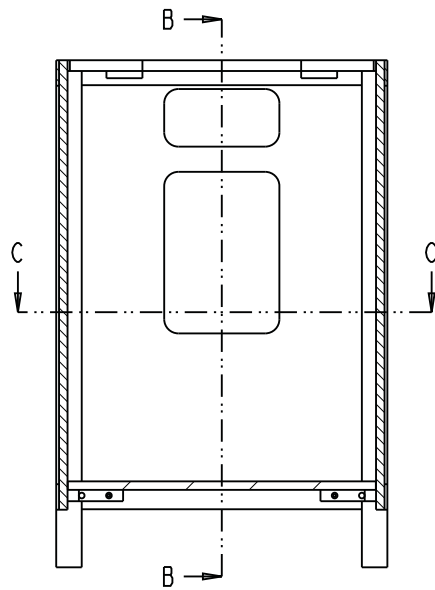


SIDE VIEW

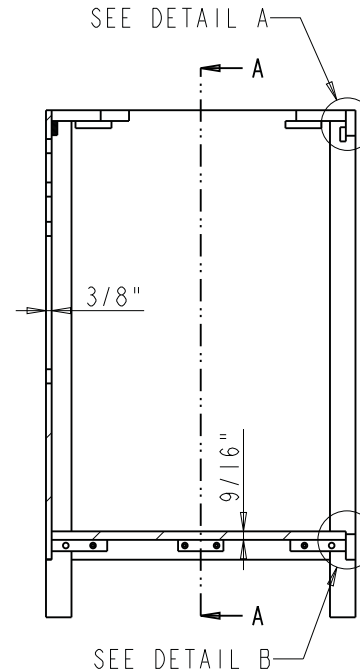


REAR VIEW

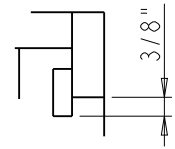
 PROPRIETARY AND CONFIDENTIAL THE INFORMATION CONTAINED IN THIS DRAWING IS THE SOLE PROPERTY OF HARDWARE RESOURCES INC. ANY REPRODUCTION IN PART OR AS A WHOLE WITHOUT THE WRITTEN PERMISSION OF HARDWARE RESOURCES INC. IS PROHIBITED.	ITEM#: CABINET-24-T		MATERIAL:	
	FINISH:		WEIGHT:	
TOLERANCE UNLESS OTHERWISE SPECIFIED: X ±0.20 X.X ±0.10 X.XX ±0.05 ANGULAR: ±0.5° DO NOT SCALE DRAWING	UNITS:	DRAWN BY:	DATE:	
	SIZE:	APPROVED BY:	DATE:	
	SHEET:	RELEASE LEVEL:	REVISION:	
	PROJECTION 		9	



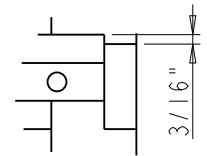
SECTION A-A



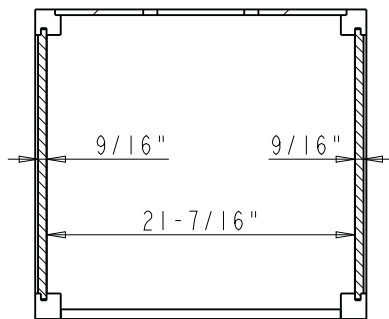
SECTION B-B



DETAIL A
SCALE (1:4)

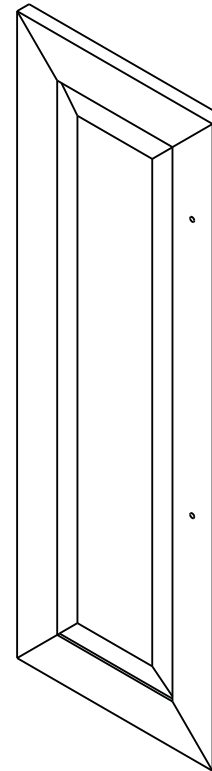
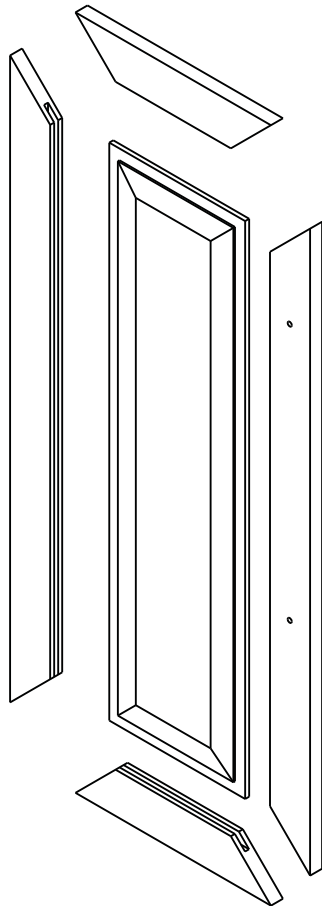



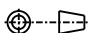
DETAIL B
SCALE (1:4)

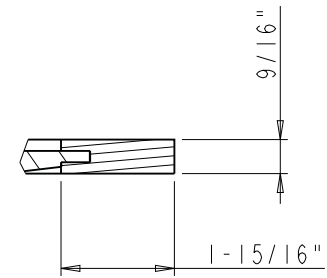
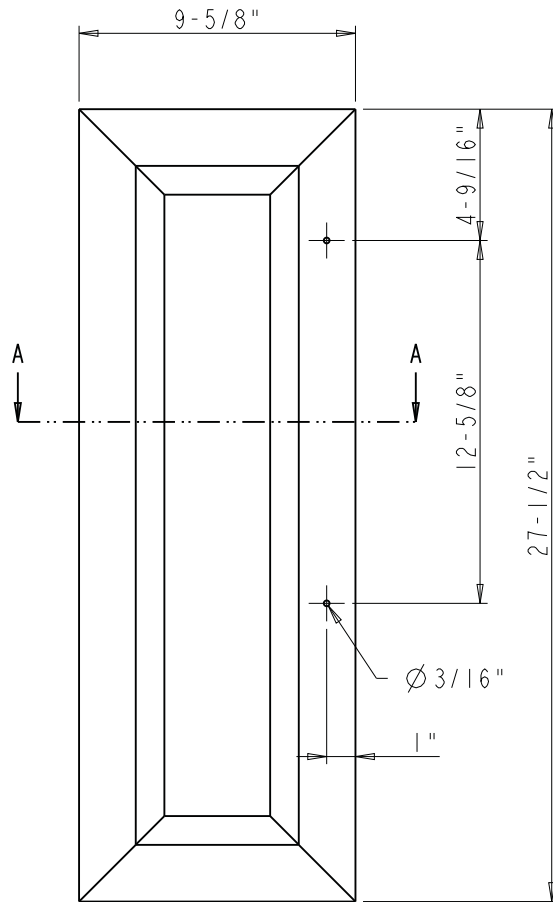


SECTION C-C

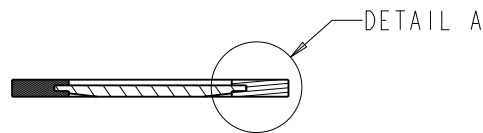
	ITEM#: CABINET-24-T		MATERIAL:	
	FINISH:		WEIGHT:	
<p>PROPRIETARY AND CONFIDENTIAL</p> <p>THE INFORMATION CONTAINED IN THIS DRAWING IS THE SOLE PROPERTY OF HARDWARE RESOURCES INC. ANY REPRODUCTION IN PART OR AS A WHOLE WITHOUT THE WRITTEN PERMISSION OF HARDWARE RESOURCES INC. IS PROHIBITED.</p>	UNITS:		DATE:	9
	TOLERANCE UNLESS OTHERWISE SPECIFIED:		DRAWN BY: Hugo.cai	
	X ±0.20		DATE: 03-24-16	
	X.X ±0.10		APPROVED BY:	
X.XX ±0.05		RELEASE LEVEL:		REVISION:
ANGULAR: ±0.5°		SHEET:		
DO NOT SCALE DRAWING				



	ITEM#: DOOR - 24L		MATERIAL:			
	FINISH:		WEIGHT:			
<p>PROPRIETARY AND CONFIDENTIAL</p> <p>THE INFORMATION CONTAINED IN THIS DRAWING IS THE SOLE PROPERTY OF HARDWARE RESOURCES INC. ANY REPRODUCTION IN PART OR AS A WHOLE WITHOUT THE WRITTEN PERMISSION OF HARDWARE RESOURCES INC. IS PROHIBITED.</p>	TOLERANCE UNLESS OTHERWISE SPECIFIED: X ±0.20 XX ±0.10 XXX ±0.05 ANGULAR: ±0.5°		UNITS:	DRAWN BY:	DATE:	
	DO NOT SCALE DRAWING		SIZE: A4	APPROVED BY:	DATE:	
			SHEET: 1 OF 2	RELEASE LEVEL:	REVISION:	
		PROJECTION 		Hugo.cai 03-24-16		

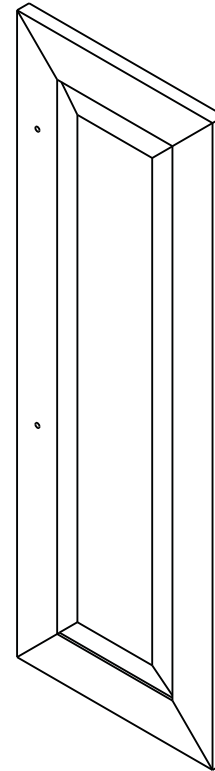
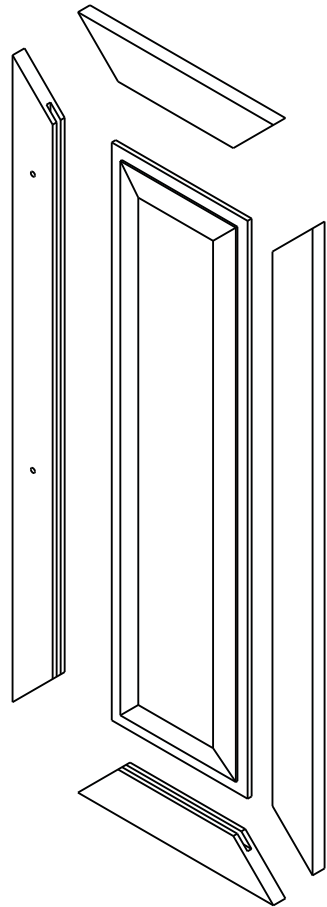



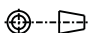
DETAIL A
SCALE (3:10)

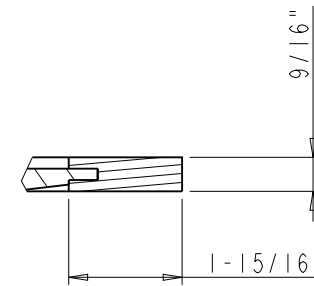
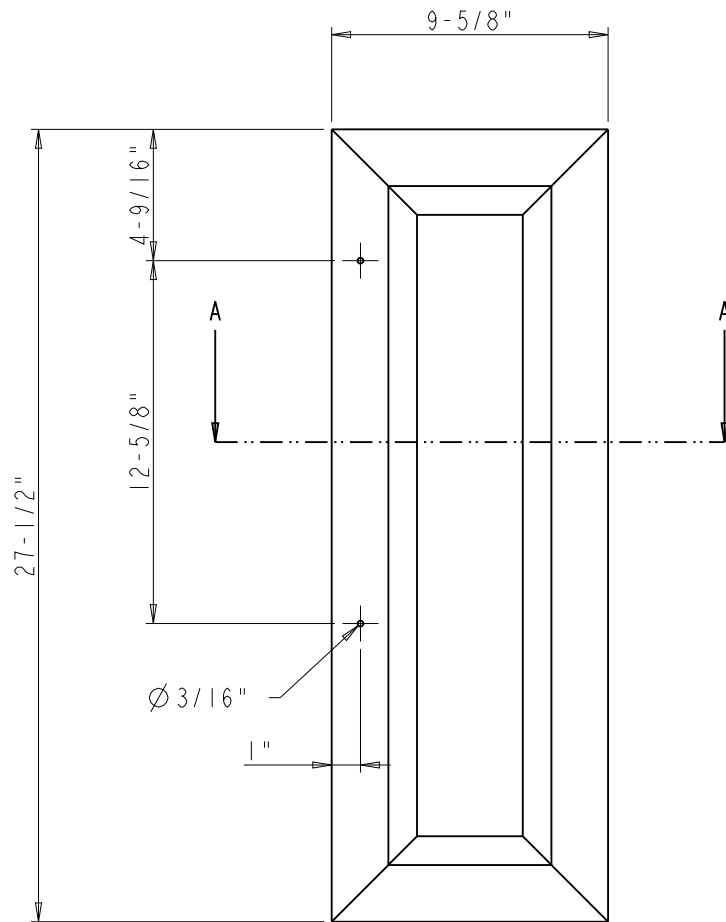


SECTION A-A

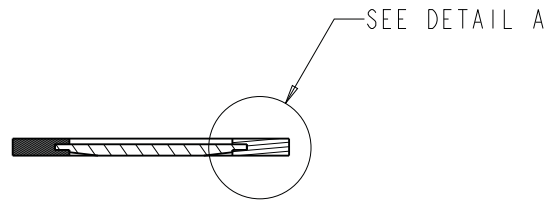
	ITEM#: DOOR-24L		MATERIAL:		
	FINISH:		WEIGHT:		
PROPRIETARY AND CONFIDENTIAL THE INFORMATION CONTAINED IN THIS DRAWING IS THE SOLE PROPERTY OF HARDWARE RESOURCES INC. ANY REPRODUCTION IN PART OR AS A WHOLE WITHOUT THE WRITTEN PERMISSION OF HARDWARE RESOURCES INC. IS PROHIBITED.	UNITS:		DRAWN BY: Hugo.cai		
	TOLERANCE UNLESS OTHERWISE SPECIFIED: X ±0.20 XX ±0.10 XXX ±0.05 ANGULAR: ±0.5°		DATE: 03-24-16		
	SIZE:		APPROVED BY:		
	SHEET:		REVISION:		
DO NOT SCALE DRAWING		RELEASE LEVEL:		DATE:	



 PROPRIETARY AND CONFIDENTIAL THE INFORMATION CONTAINED IN THIS DRAWING IS THE SOLE PROPERTY OF HARDWARE RESOURCES INC. ANY REPRODUCTION IN PART OR AS A WHOLE WITHOUT THE WRITTEN PERMISSION OF HARDWARE RESOURCES INC. IS PROHIBITED.	ITEM#: DOOR - 24R		MATERIAL:	
	FINISH:		WEIGHT:	
	PROJECTION 		9	
	TOLERANCE UNLESS OTHERWISE SPECIFIED: X ±0.20 XX ±0.10 XXX ±0.05 ANGULAR: ±0.5°		UNITS:	DRAWN BY:
DO NOT SCALE DRAWING		SIZE: A4	APPROVED BY: <i>Hugo.cai</i>	DATE: 03-24-16
		SHEET: 1 OF 2	RELEASE LEVEL:	REVISION:

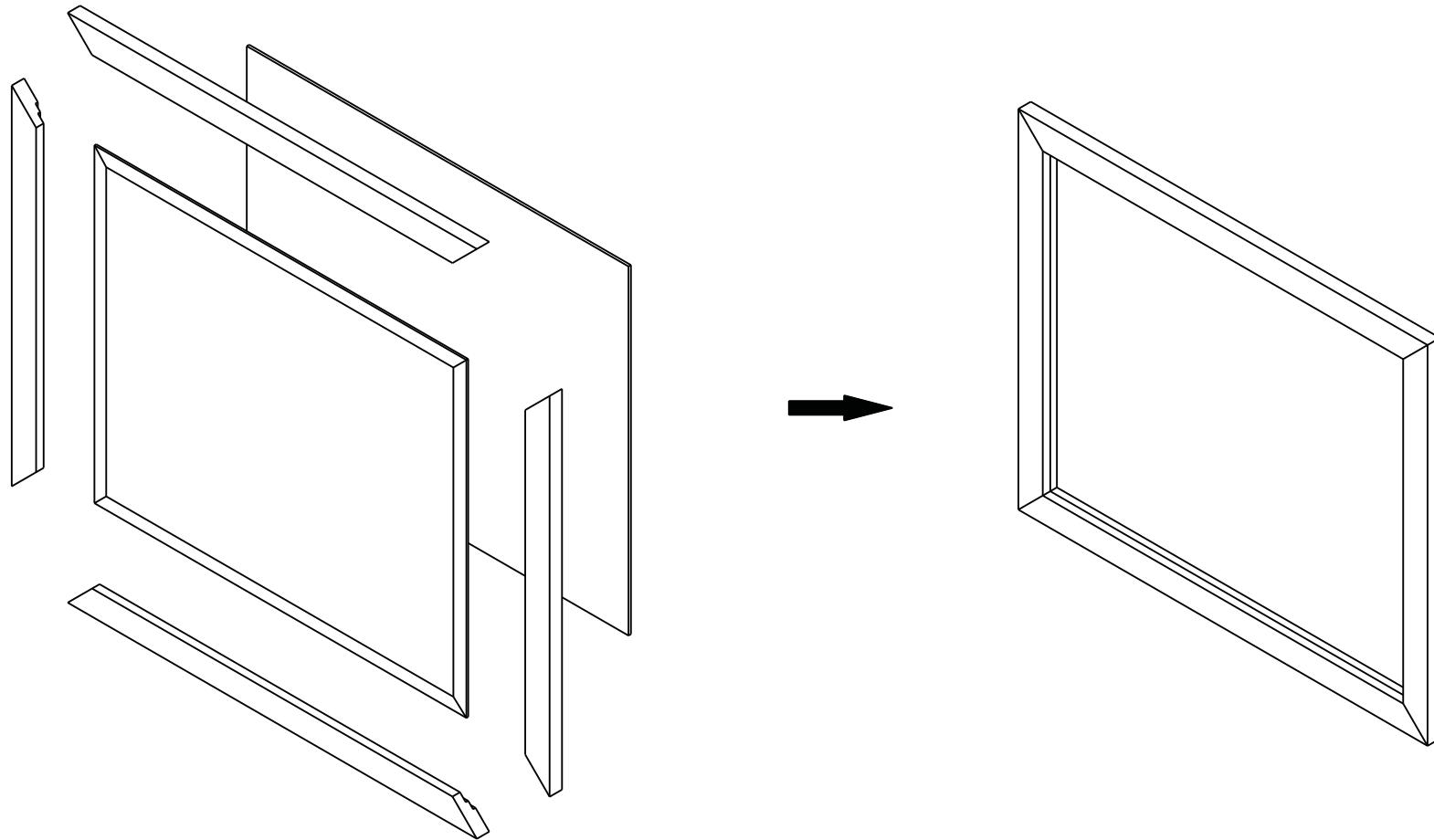



DETAIL A
SCALE 3:10

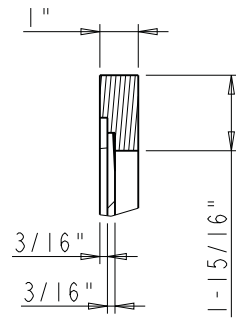
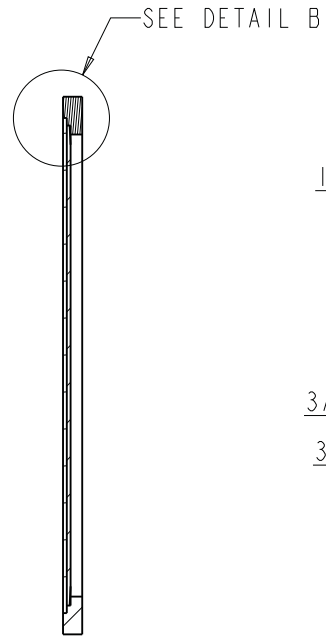
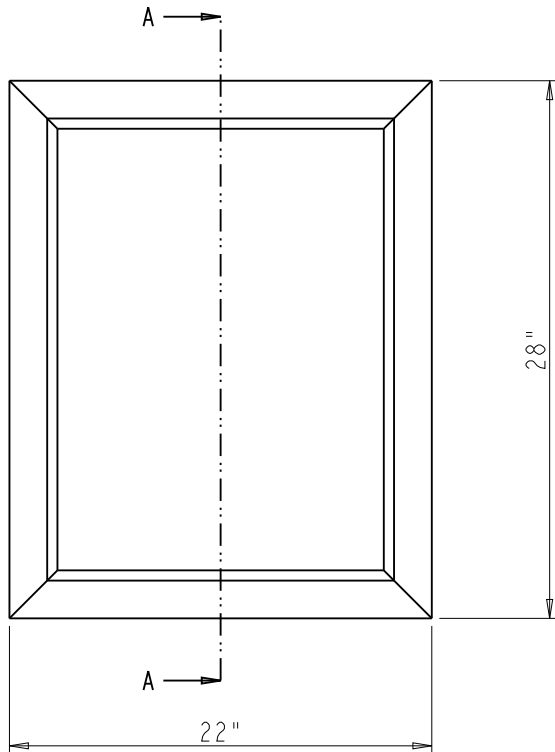


SECTION A-A

	ITEM#: DOOR-24R		MATERIAL:	
	FINISH:		WEIGHT: 0.000 g	
	PROPRIETARY AND CONFIDENTIAL		PROJECTION	
<p>THE INFORMATION CONTAINED IN THIS DRAWING IS THE SOLE PROPERTY OF HARDWARE RESOURCES INC. ANY REPRODUCTION IN PART OR AS A WHOLE WITHOUT THE WRITTEN PERMISSION OF HARDWARE RESOURCES INC. IS PROHIBITED.</p>	TOLERANCE UNLESS OTHERWISE SPECIFIED: X ±0.20 XX ±0.10 XXX ±0.05 ANGULAR: ±0.5°	UNITS:	DRAWN BY: Hugo.cai	DATE:
	DO NOT SCALE DRAWING	SIZE:	APPROVED BY:	DATE:
		SHEET:	RELEASE LEVEL:	REVISION:



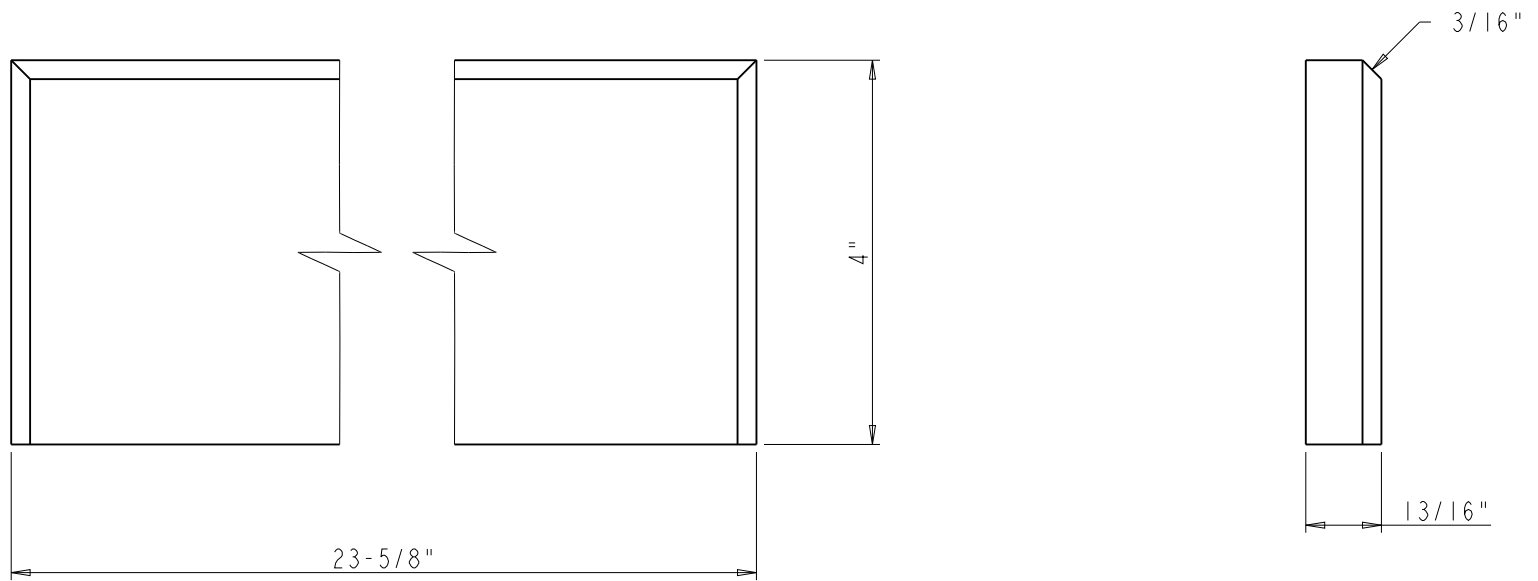
 PROPRIETARY AND CONFIDENTIAL THE INFORMATION CONTAINED IN THIS DRAWING IS THE SOLE PROPERTY OF HARDWARE RESOURCES INC. ANY REPRODUCTION IN PART OR AS A WHOLE WITHOUT THE WRITTEN PERMISSION OF HARDWARE RESOURCES INC. IS PROHIBITED.	ITEM#: MIRROR		MATERIAL:		
	FINISH:		WEIGHT:		
	TOLERANCE UNLESS OTHERWISE SPECIFIED: X ±0.20 X.X ±0.10 X.XX ±0.05 ANGULAR: ±0.5°		UNITS:	DRAWN BY: Hugo.cai	DATE: 06-23-15
	DO NOT SCALE DRAWING		SIZE:	APPROVED BY:	DATE:
		SHEET:	RELEASE LEVEL:	REVISION:	




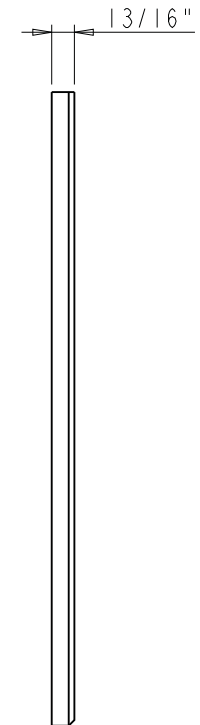
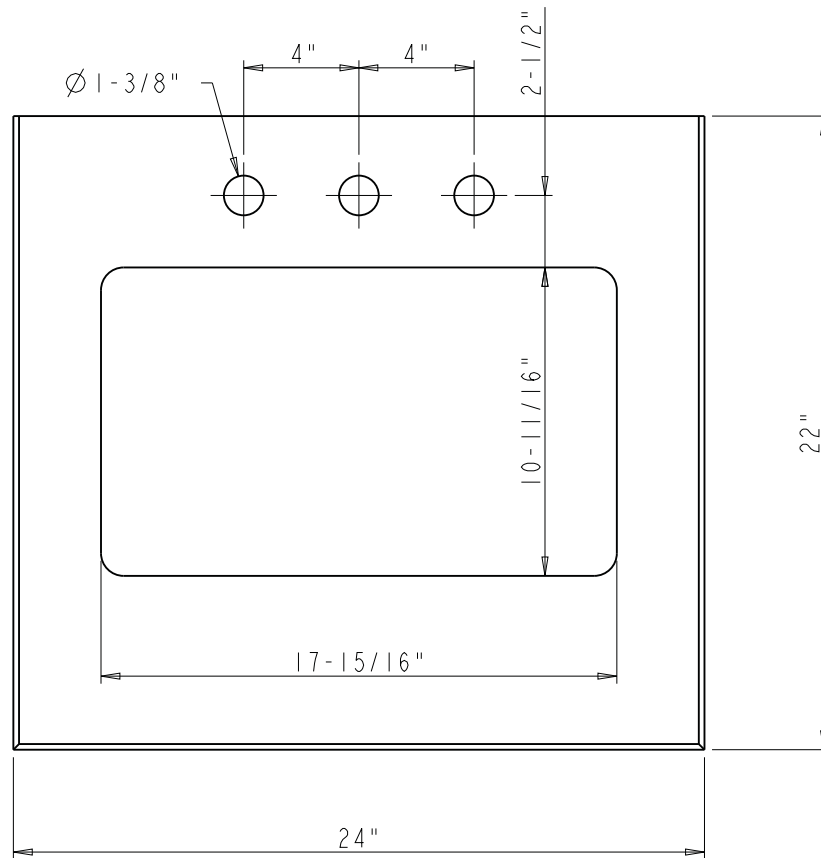
DETAIL B
SCALE 1:5


SECTION A-A

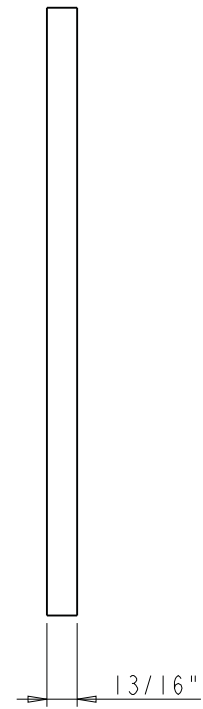
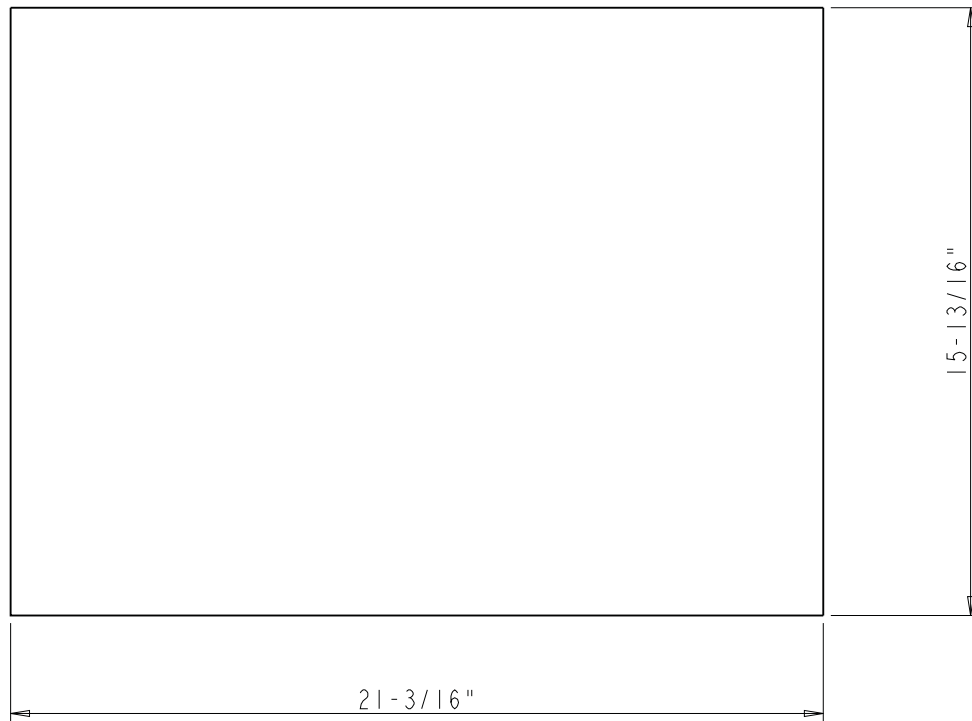
<p>PROPRIETARY AND CONFIDENTIAL</p> <p>THE INFORMATION CONTAINED IN THIS DRAWING IS THE SOLE PROPERTY OF HARDWARE RESOURCES INC. ANY REPRODUCTION IN PART OR AS A WHOLE WITHOUT THE WRITTEN PERMISSION OF HARDWARE RESOURCES INC. IS PROHIBITED.</p>	ITEM#: MIRROR-22		MATERIAL:		
	FINISH:		WEIGHT:		
	TOLERANCE UNLESS OTHERWISE SPECIFIED: X ±0.20 X.X ±0.10 X.XX ±0.05 ANGULAR: ±0.5°		UNITS:	DRAWN BY: Hugo.cai	DATE: 03-24-16
	DO NOT SCALE DRAWING		SIZE:	APPROVED BY:	DATE:
		SHEET:	RELEASE LEVEL:	REVISION:	




	ITEM#: SPLASH-23		MATERIAL:	
	FINISH:		WEIGHT: 9	
<p>PROPRIETARY AND CONFIDENTIAL</p> <p>THE INFORMATION CONTAINED IN THIS DRAWING IS THE SOLE PROPERTY OF HARDWARE RESOURCES INC. ANY REPRODUCTION IN PART OR AS A WHOLE WITHOUT THE WRITTEN PERMISSION OF HARDWARE RESOURCES INC. IS PROHIBITED.</p>	<p>UNITS:</p> <p>TOLERANCE UNLESS OTHERWISE SPECIFIED:</p> <p>X ±0.20</p> <p>X.X ±0.10</p> <p>X.XX ±0.05</p> <p>ANGULAR: ±0.5°</p>		<p>DATE: 03-24-16</p>	
	<p>DO NOT SCALE DRAWING</p>		<p>DATE:</p>	
	<p>APPROVED BY:</p>		<p>DATE:</p>	
	<p>RELEASE LEVEL:</p>		<p>REVISION:</p>	



 PROPRIETARY AND CONFIDENTIAL THE INFORMATION CONTAINED IN THIS DRAWING IS THE SOLE PROPERTY OF HARDWARE RESOURCES INC. ANY REPRODUCTION IN PART OR AS A WHOLE WITHOUT THE WRITTEN PERMISSION OF HARDWARE RESOURCES INC. IS PROHIBITED.	ITEM#: TOP-BOARD-24		MATERIAL:		
	FINISH:		WEIGHT: 9		
	TOLERANCE UNLESS OTHERWISE SPECIFIED: X ±0.20 X.X ±0.10 X.XX ±0.05 ANGULAR: ±0.5°		UNITS:	DRAWN BY: Hugo.cai	DATE: 03-24-16
	DO NOT SCALE DRAWING		SIZE:	APPROVED BY:	DATE:
		SHEET:	RELEASE LEVEL:	REVISION:	



 PROPRIETARY AND CONFIDENTIAL THE INFORMATION CONTAINED IN THIS DRAWING IS THE SOLE PROPERTY OF HARDWARE RESOURCES INC. ANY REPRODUCTION IN PART OR AS A WHOLE WITHOUT THE WRITTEN PERMISSION OF HARDWARE RESOURCES INC. IS PROHIBITED.	ITEM#: ADJUSTABLE-SHELF-24		MATERIAL:		
	FINISH:		WEIGHT: 9		
	TOLERANCE UNLESS OTHERWISE SPECIFIED: X ±0.20 X.X ±0.10 X.XX ±0.05 ANGULAR: ±0.5°		UNITS:	DRAWN BY: Hugo.cai	DATE: 03-24-16
	DO NOT SCALE DRAWING		SIZE:	APPROVED BY:	DATE:
		SHEET:	RELEASE LEVEL:	REVISION:	

