

IMPORTANT

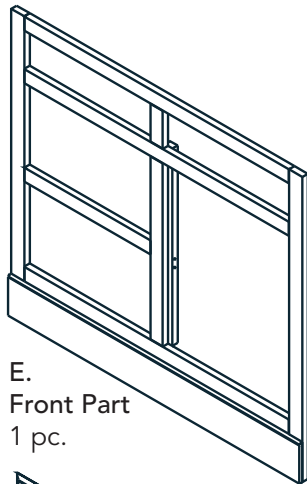
Carefully remove all the parts from the carton and place them individually on a soft cloth to prevent scratches or other damage.

Carefully and strictly follow these assembly instructions to ensure a completed product as designed.

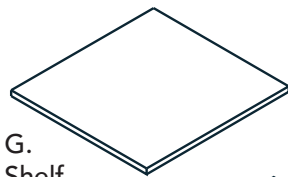
Do not use power tools above 8 volts to assemble.

Patent 8,584,600 B2

Part List

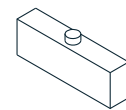
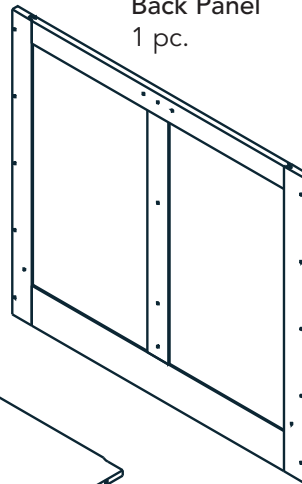


E.
Front Part
1 pc.

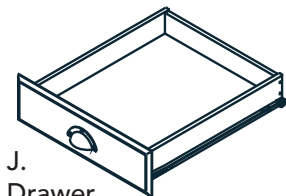


G.
Shelf
1 pc.

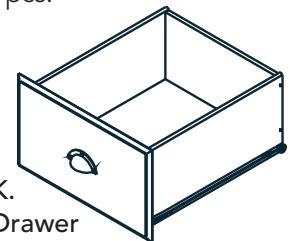
I.
Back Panel
1 pc.



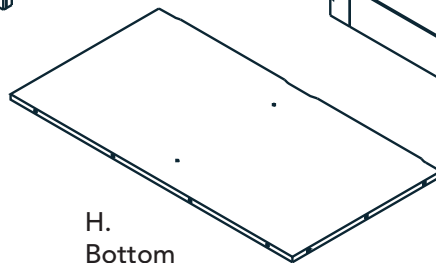
I1.
Adjuster Block
1 pc.



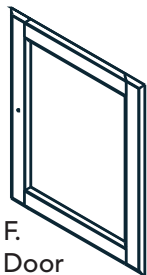
J.
Drawer
2 pcs.



K.
Drawer
3 pcs.





















H.
Bottom
1 pc.



F.
Door
1 pc.

Refer to the last page(s) of these Instructions for drawer assembly.

Hardware List

								
Hex Wrench 1 pc.	M4x20 Machine Screw 9 pcs.	Cam Lock 49 pcs.(+6 extra)	Catch 1 pc.	Hinge 1 pc.	M3.5x25 Round Head Screw (long) 32 pcs. (+1 extra)	M3.5x44 Flat Head Screw (long) 2 pcs. (+1 extra)	M3.5x19 Flat Head Screw 16 pcs. (+1 extra)	Knob 1 pc.
								
Small Hex Wrench 1 pc.	Adjustable Pin 4 pcs. (+1 extra)	Cam Lock Screw 49 pcs.(+1 extra)	Catch with Double Roller 1 pc.	M6x40 Head Cap Bolt 12 pcs.(+1 extra)	M3.5x12 Round Head Screw (short) 4 pcs. (+1 extra)	M3.5x12 Flat Head Screw (short) 12 pcs. (+1 extra)	Flat Washer 8 pcs. (+1 extra)	Handle 4 pcs.

Cartons 88 5520 943 and 941 or 944 are also needed for assembly.

Tool(s) required for assembly: Phillips screwdriver, Level, Drill (8 volts or less), 3/8" Drill Bit

Home Styles Customer Service: www.homestyles-furniture.com,
servicedesk@homestyles-furniture.com, 888-680-7460, 877-831-0319

Assembly Instructions 2/9

IMPORTANT

- Use a soft cloth between these parts and the floor.
- Do not use power tools above 8 volts to assemble.
- Do not tighten all the bolts until each part is properly assembled.
- The unit must be level to work properly. Use the included adjustable levelers to level.
- Keep Hex Wrench in a safe place as the bolts may need to be tightened up in the future.

STEP 1

Put Cam Lock Screws into the pre-drilled holes of Side Panel (B), (C), Front Part (E), Bottom (H) and Back Panel (I).

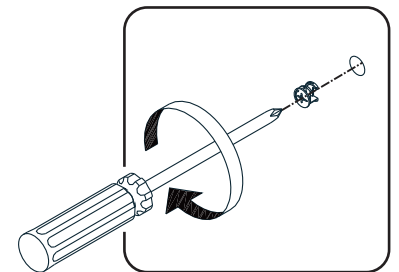
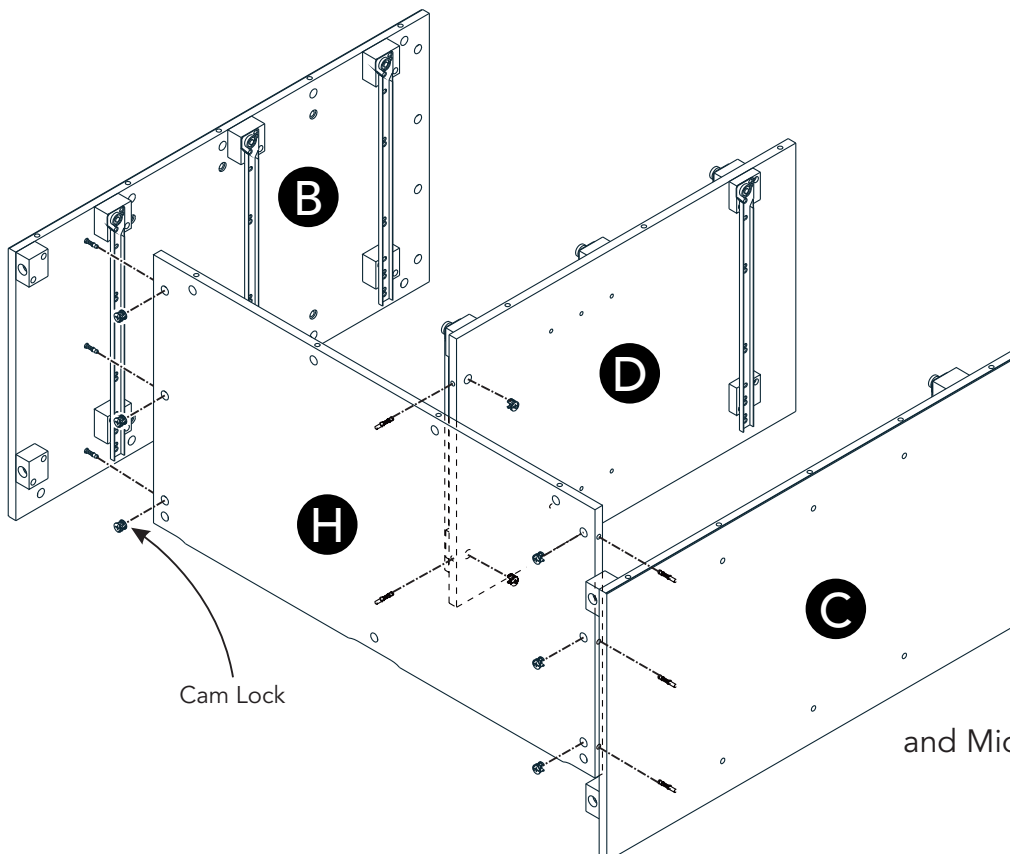
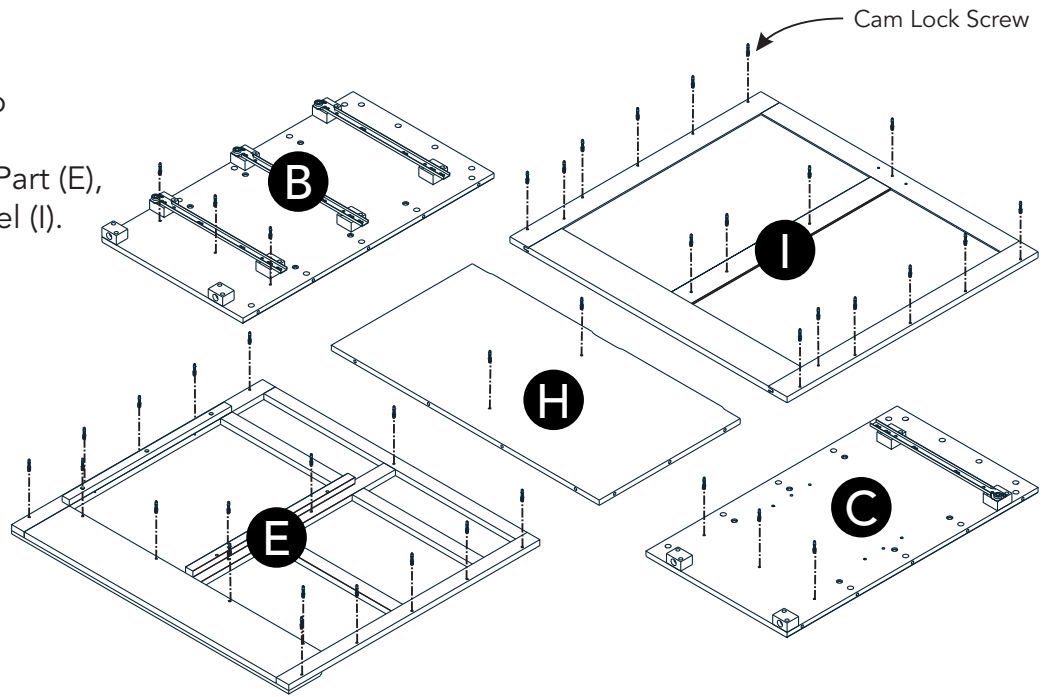


Figure 1

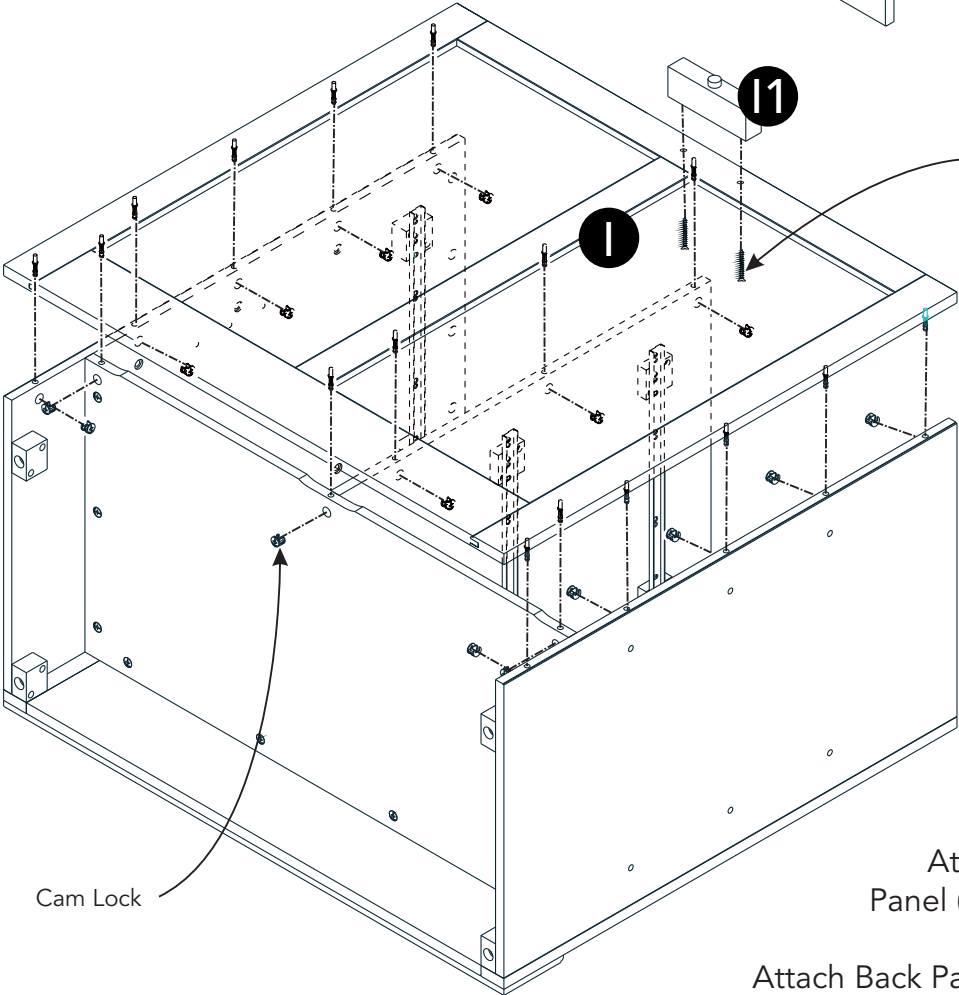
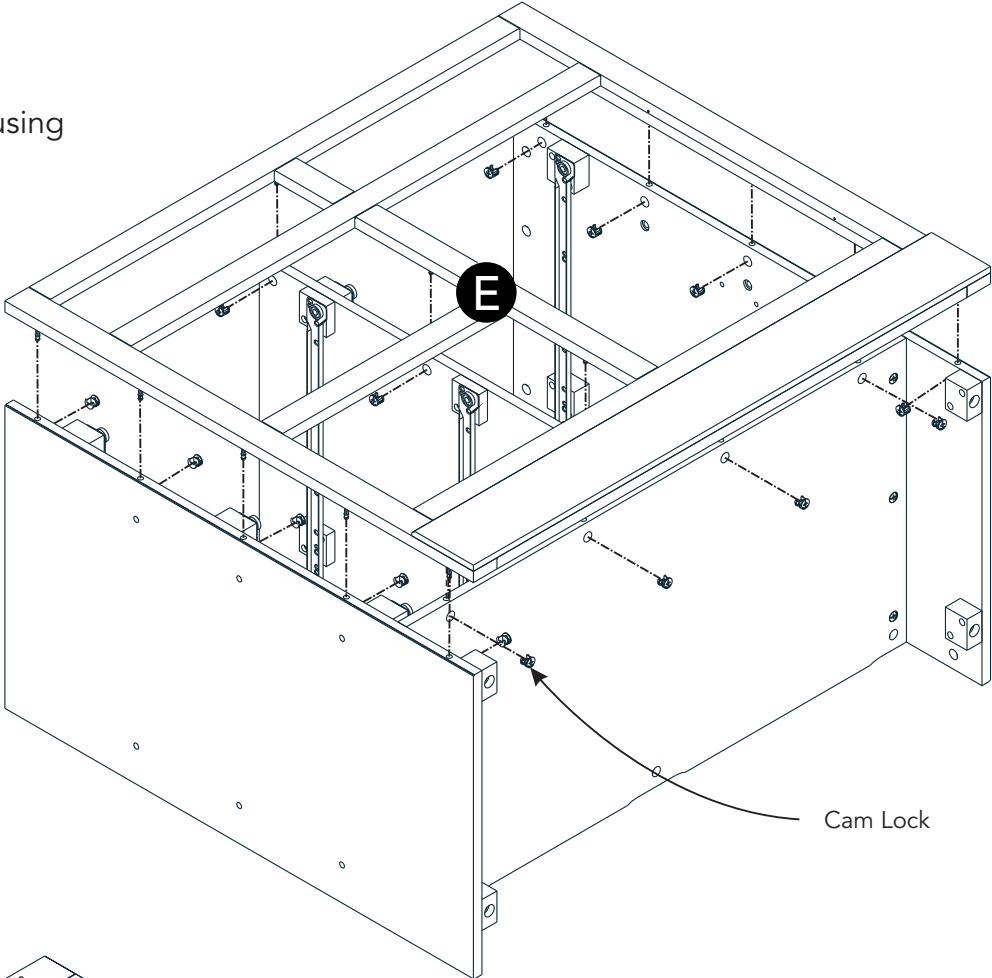
STEP 2

Attach Side Panel (B), (C) and Middle Panel (D) to Bottom (H) with Cam Locks.
(See Figure 1)

Assembly Instructions 3/9

STEP 3

Attach Front Part (E) to unit using Cam Locks.



STEP 4

Attach Adjuster Block (I1) to Back Panel (I) with Flat Head Screws (long).

Attach Back Panel (I) to unit using Cam Locks.

Assembly Instructions 4/9

STEP 5

Attach Frame Leg (L) and (M) to unit using Head Cap Bolts.

Tighten Head Cap Bolts using Hex Wrench. (See Figure 2)

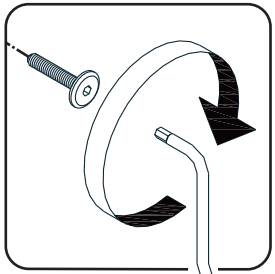
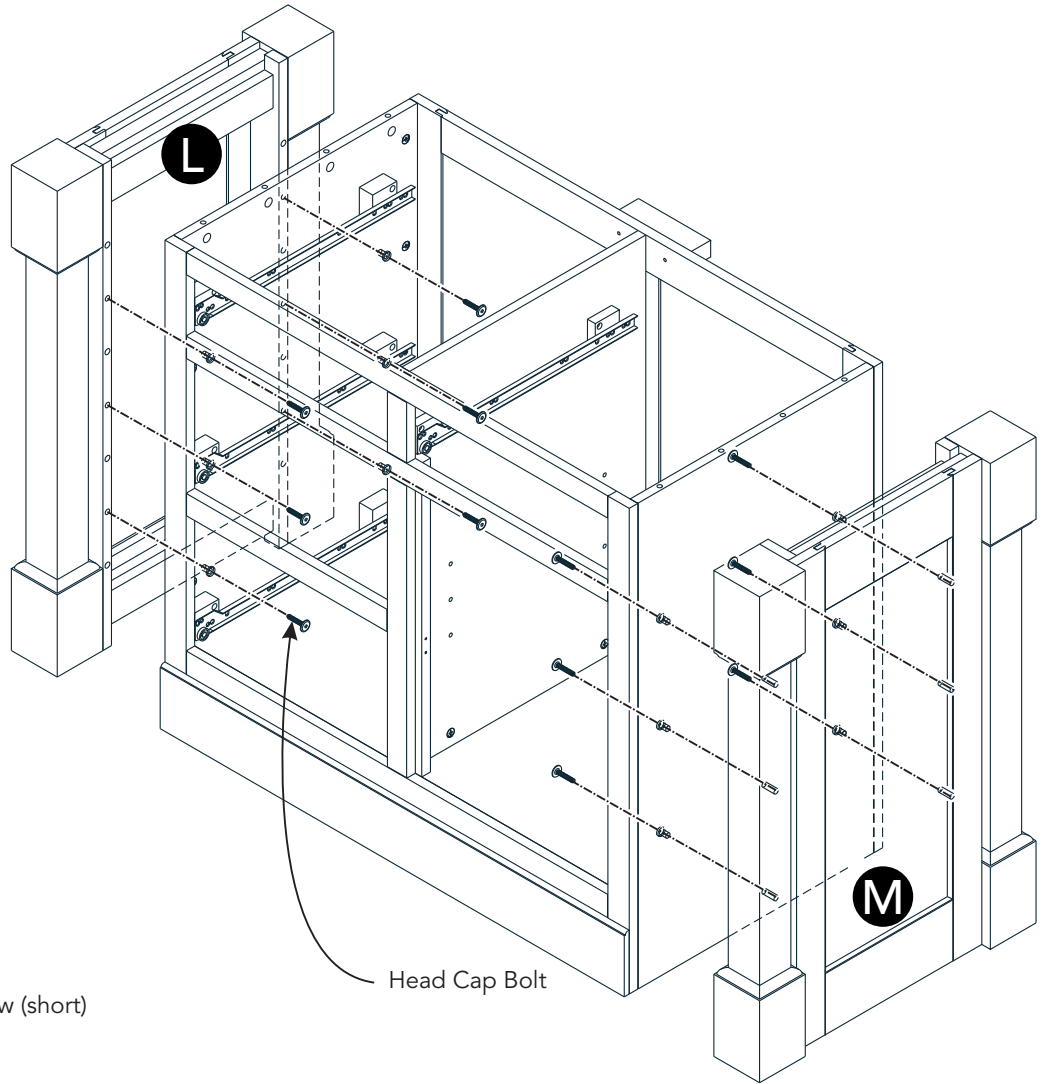
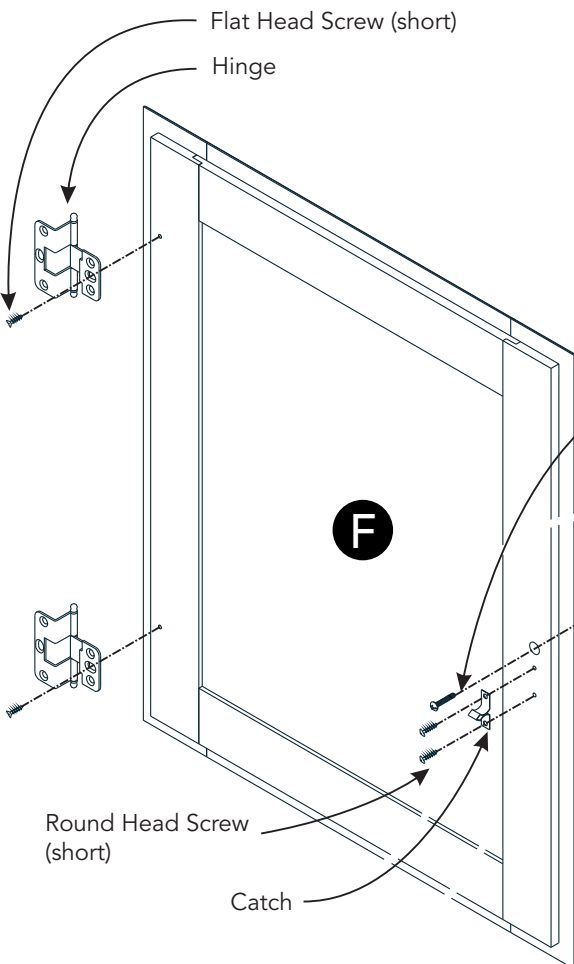


Figure 2



Head Cap Bolt



Flat Head Screw (short)

Hinge

Machine Screw

Knob

Round Head Screw (short)

Catch

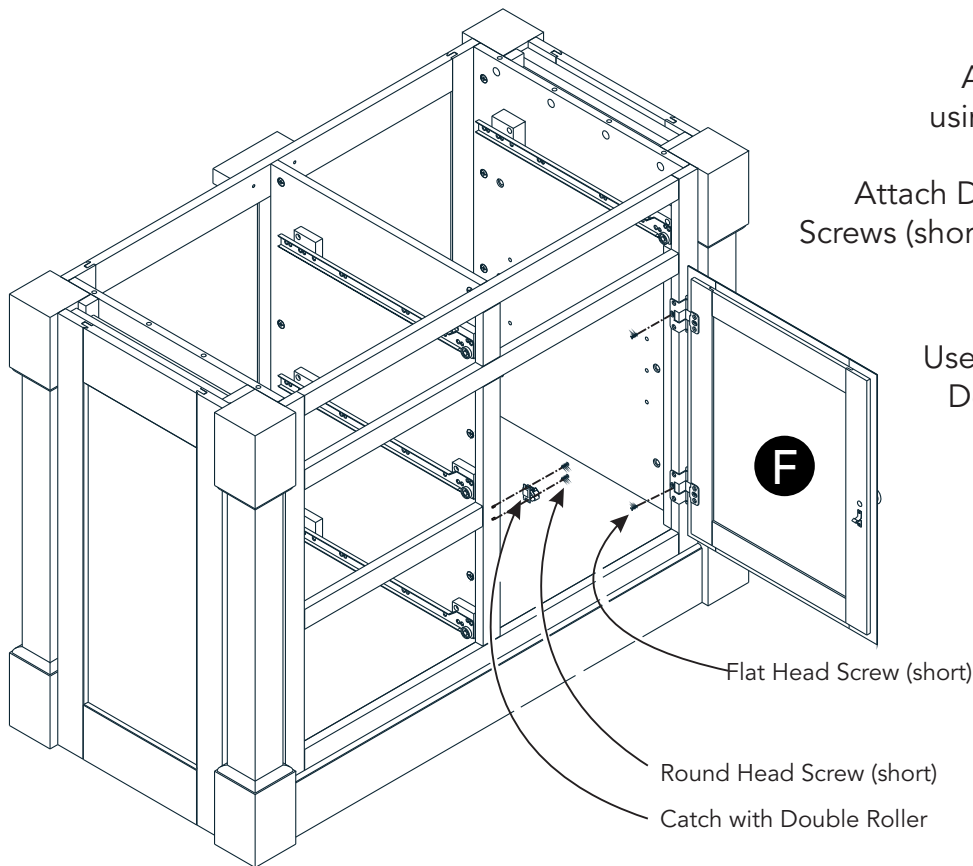
STEP 6

Attach Knob to Door (F) using Machine Screw.

Attach Catch to Door (F) using Round Head Screw (short).

Attach Hinges to Door (F) using Flat Head Screws (short) into the over hole of Hinge.

STEP 7



Attach Catch with Roller to unit using Round Head Screws (short).

Attach Door (F) to unit using Flat Head Screws (short) into the oval hole of Hinges.

Use the oval hole of Hinges at the Door to adjust the Door left and right. (See Figure 3)

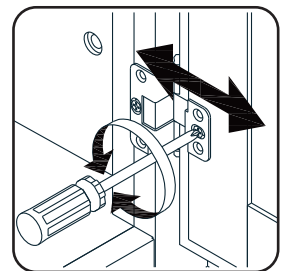


Figure 3

Use the oval hole of Hinges at the unit to adjust the Door up and down. (See Figure 4)

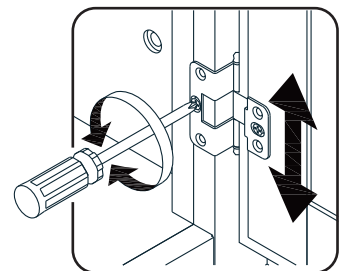
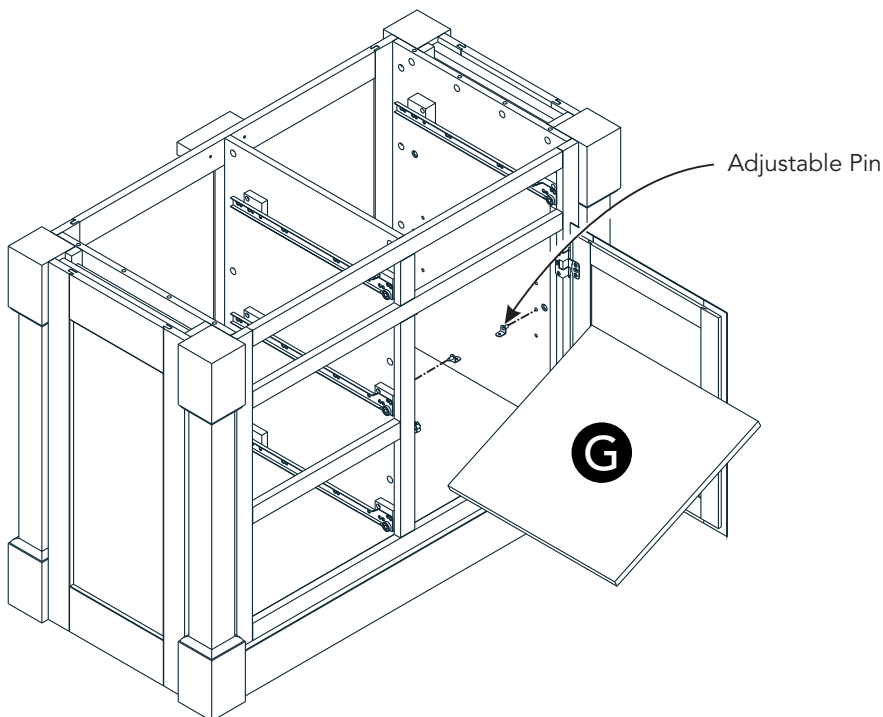


Figure 4



STEP 8

Insert Adjustable Pins into side panel and middle panel at desired level, then place Shelves (G) into position.

After adjustment, attach door using Flat Head Screws through round holes of Hinges. (See Figure 5)

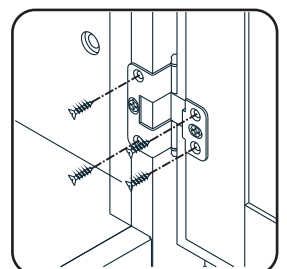
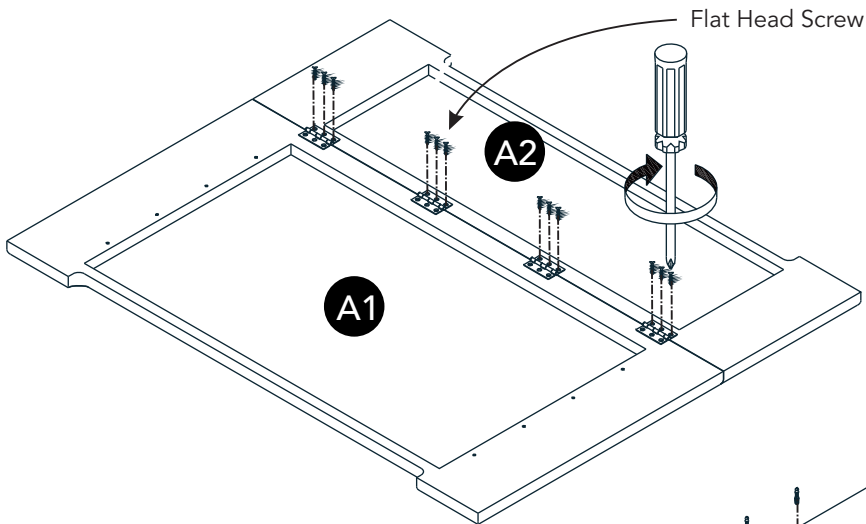


Figure 5

Assembly Instructions 6/9

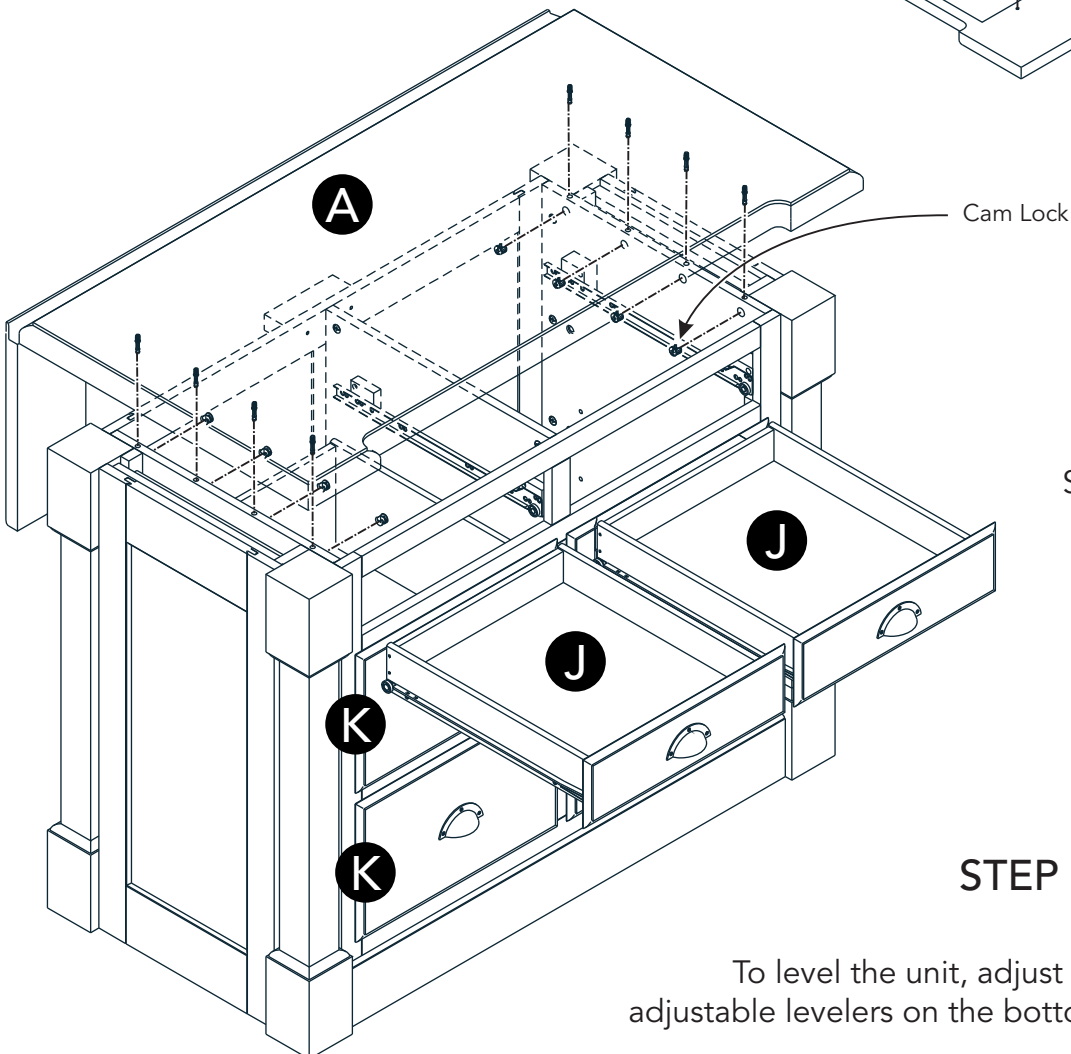
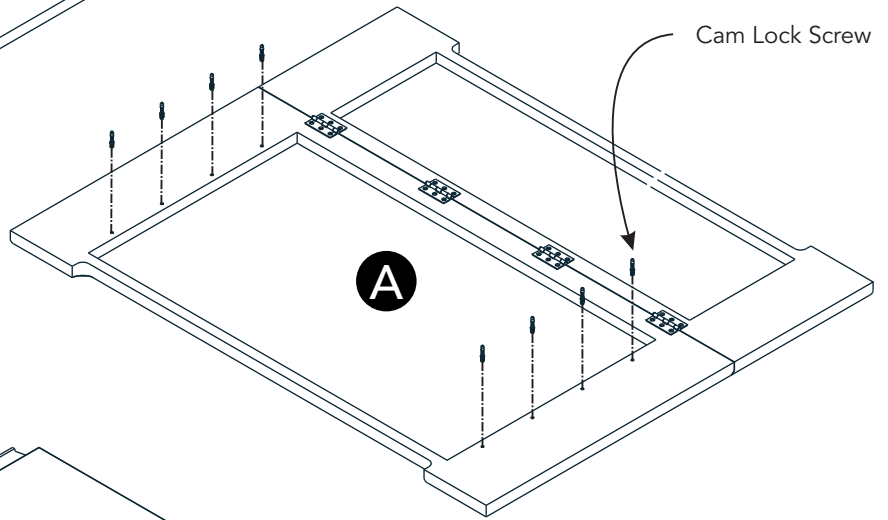
STEP 9



Attach Top (A1) to Top (A2) using Flat Head Screws.

STEP 10

Insert Cam Lock Screws into the pre-drilled holes of Top Unit (A).



STEP 11

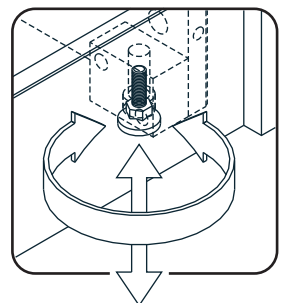
Place Top (A) onto the unit, using Cam Locks.

Slide Drawers (J) and (K) into place.

STEP 12

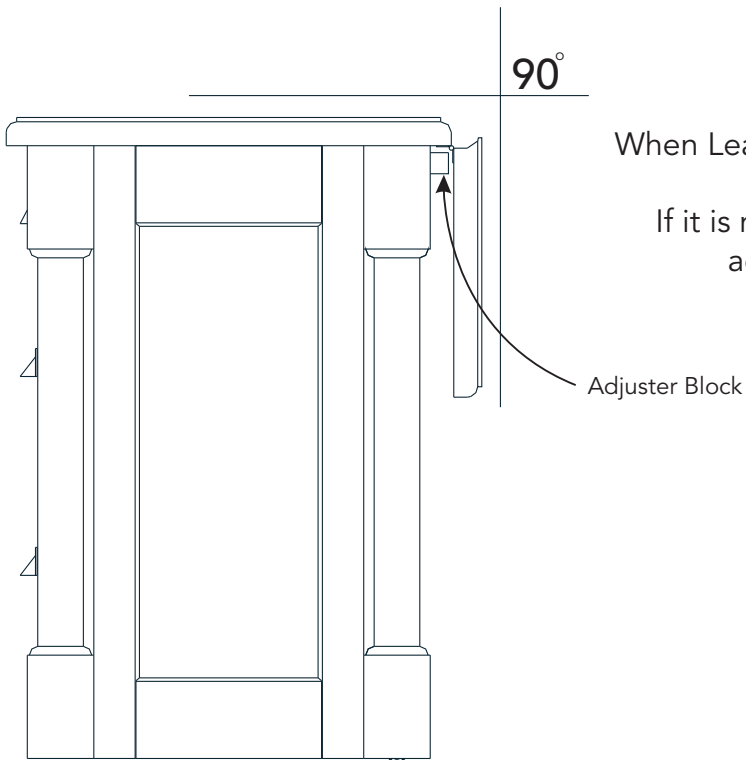
To level the unit, adjust the adjustable levelers on the bottom.

Note: Unit must be level to work properly.



Assembly Instructions 7/9

STEP 13



When Leaf Top is down, it should be oriented vertically.

If it is not vertical and adjustment is desired, turn the adjuster on the adjuster block on Back Panel (I).
(See Figure 6)

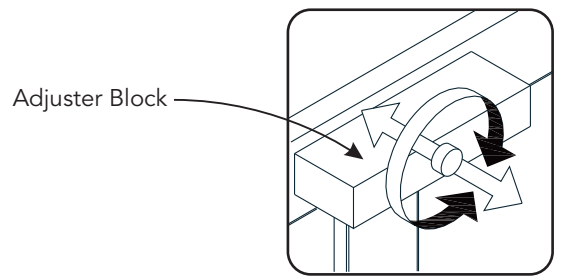
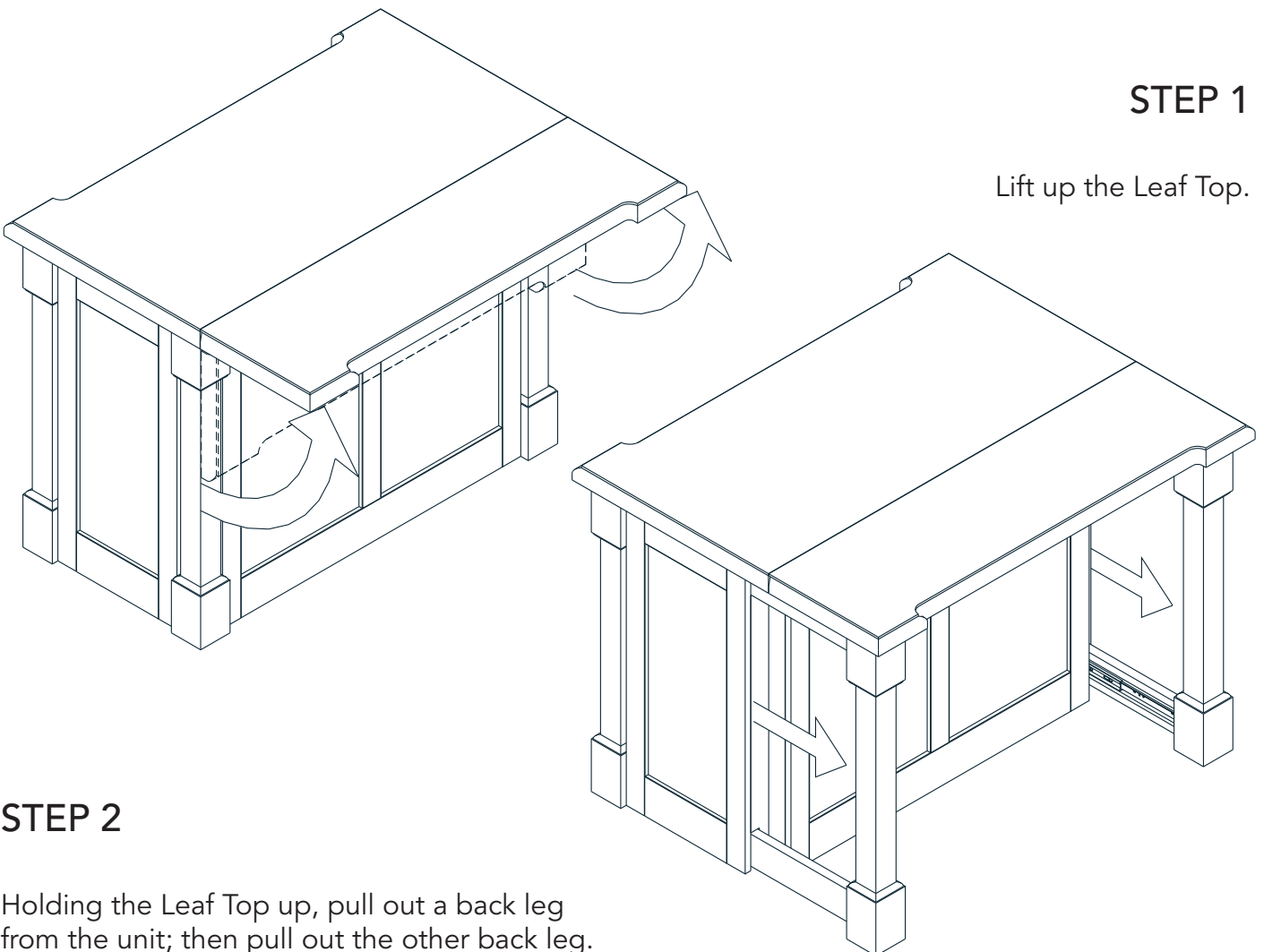


Figure 6

TOP EXTENSION INSTRUCTIONS

STEP 1

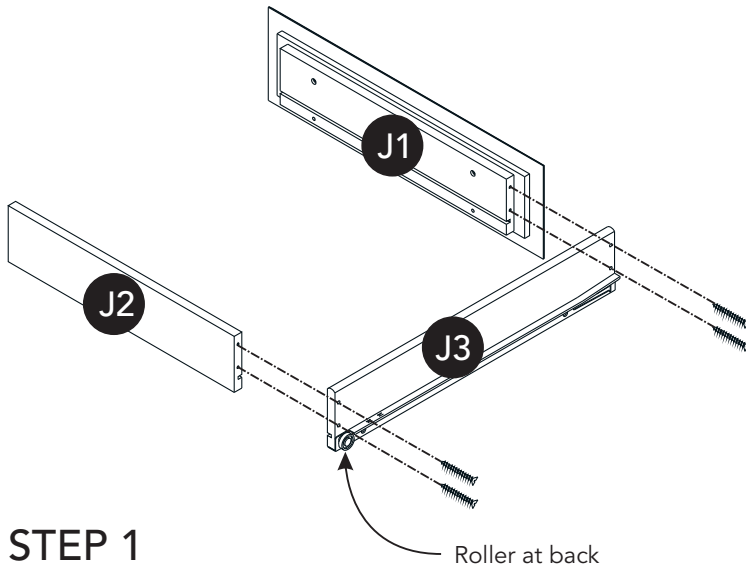
Lift up the Leaf Top.



Holding the Leaf Top up, pull out a back leg from the unit; then pull out the other back leg.

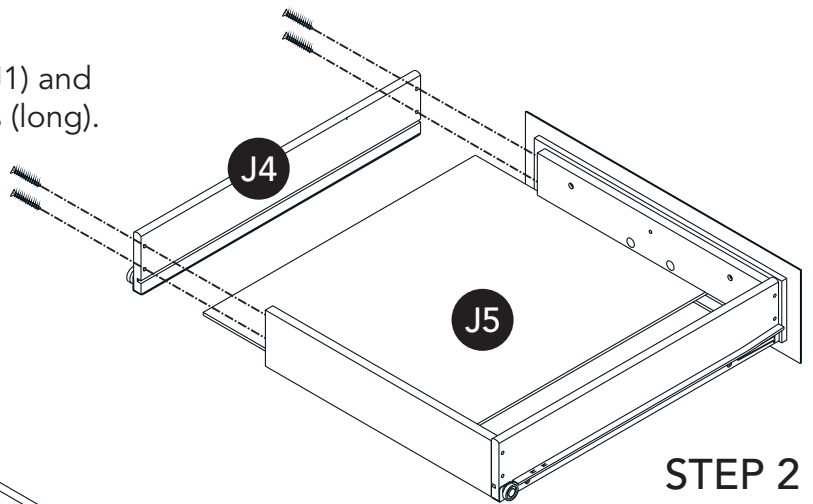
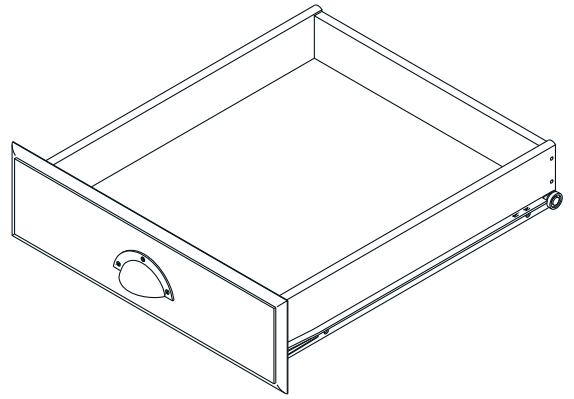
Assembly Instructions 8/9

Drawer (J)



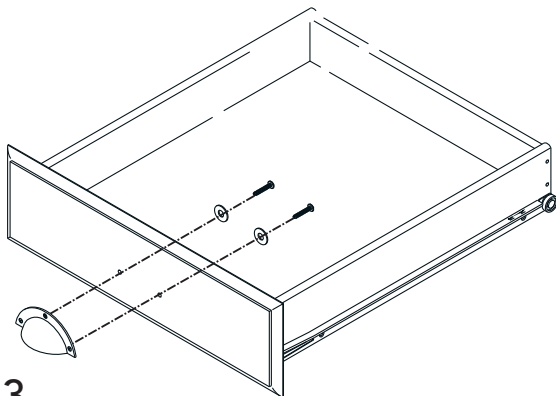
STEP 1

Attach Drawer Side (J3) to Drawer Front (J1) and Drawer Back (J2) with Round Head Screws (long).



STEP 2

Slide Drawer Bottom (J5) into the grooves of Drawer Back (J2) and Drawer Front (J1) until it meets Drawer Side (J1).

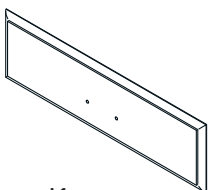


STEP 3

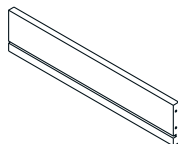
Attach Drawer Side (J4) to unit with Round Head Screws (long).

Attach Handles with Flat Washers and Machine Screws.

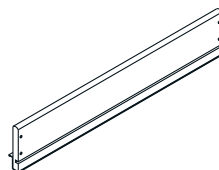
Part List



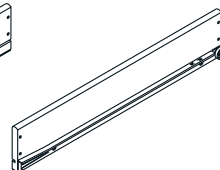
J1.
Drawer Front
2 pcs.



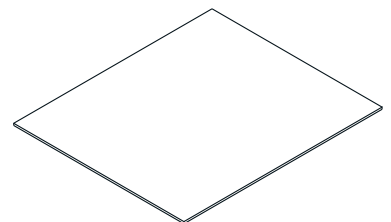
J2.
Drawer Back
2 pcs.



J3.
Drawer Side
2 pcs.



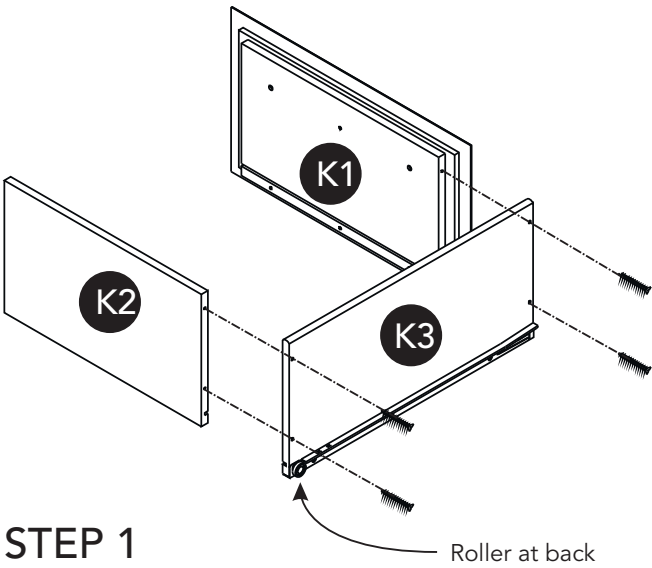
J4.
Drawer Side
2 pcs.



J5.
Drawer Bottom
2 pcs.

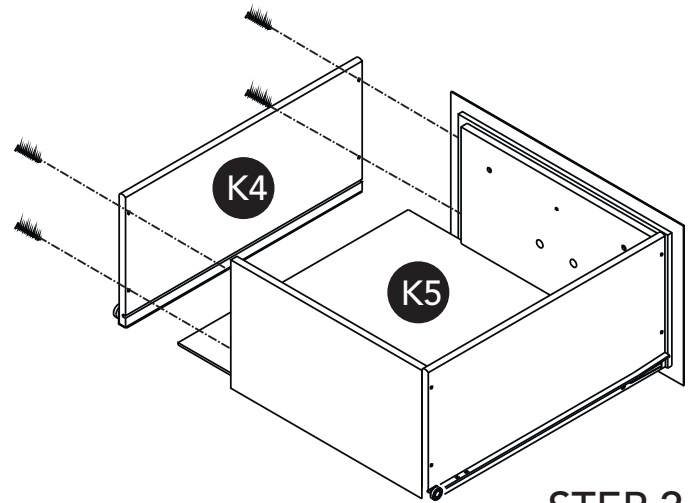
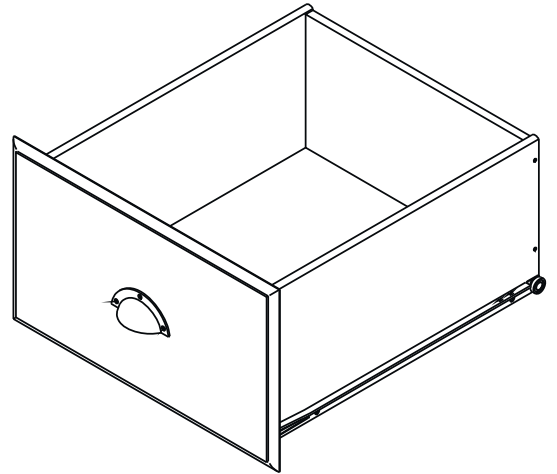
Assembly Instructions 9/9

Drawer (K)



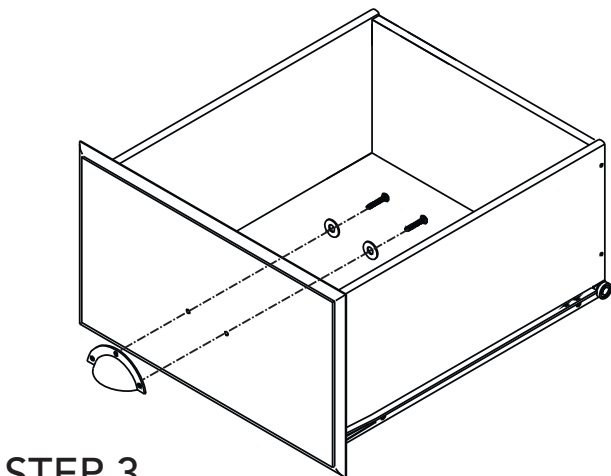
STEP 1

Attach Drawer Side (K3) to Drawer Front (K1) and Drawer Back (K2) with Round Head Screws.



STEP 2

Slide Drawer Bottom (K5) into the grooves of Drawer Back (K2) and Drawer Front (K1) until it meets Drawer Side (K3).

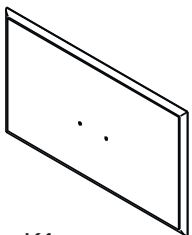


STEP 3

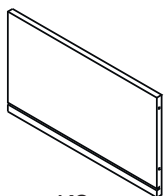
Attach Drawer Side (K4) to unit with Round Head Screws (long).

Attach Handles with Flat Washers and Machine Screws.

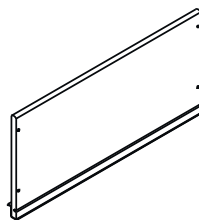
Part List



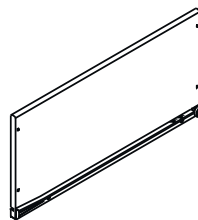
K1.
Drawer Front
2 pcs.



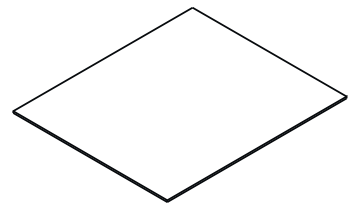
K2.
Drawer Back
2 pcs.



K3.
Drawer Side
2 pcs.



K4.
Drawer Side
2 pcs.



K5.
Drawer Bottom
2 pcs.

CARE INSTRUCTIONS

NEVER

allow liquids to remain on furniture.
Absorption causes parts to warp
and split and finishes to delaminate.

NEVER

use glass cleaners on
finished furniture. Ammonia
chemically attacks the finish.



Do not use power tools
above 8 volts to assemble.
**PREVENT
CRACKING**



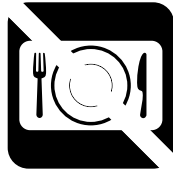
Do not place
in direct sunlight.
**PREVENT
FADING**



Do not write
directly on surface.
**PREVENT
MARKING**



Do not place hot
objects on surface.
**PREVENT
FINISH DAMAGE**



Do not use rubber
based placemats.
**PREVENT
DISCOLORING**



Do not use commercial
waxes and polishes.
**PREVENT
YELLOWING**

CLEAN

with a soft cloth moistened
in lukewarm soap and water.
Buff with a dry clean cloth.



Home Styles will provide replacements free of charge for missing or damaged hardware or parts within 30 days of purchase. Digital images of the defective parts may be required. If the product was not purchased from an authorized retail affiliate, Home Styles is under no obligation to provide replacement parts. Parts are not available for fully assembled items nor are parts available for sale. Replacements for missing or damaged hardware or parts may be requested at:

www.homestyles-furniture.com/customer-service/replacement-parts

Home Styles Customer Service: www.homestyles-furniture.com,
servicedesk@homestyles-furniture.com, 888-680-7460, 877-831-0319