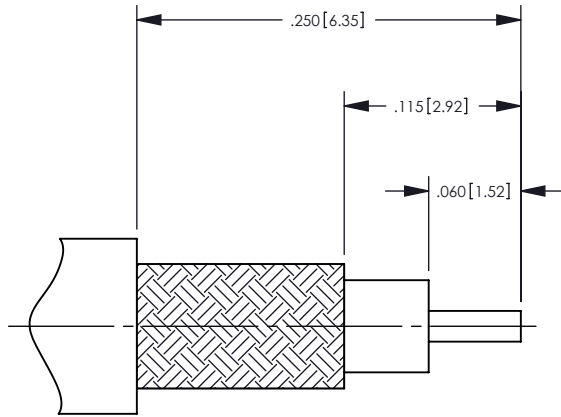
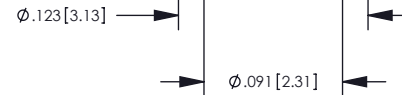
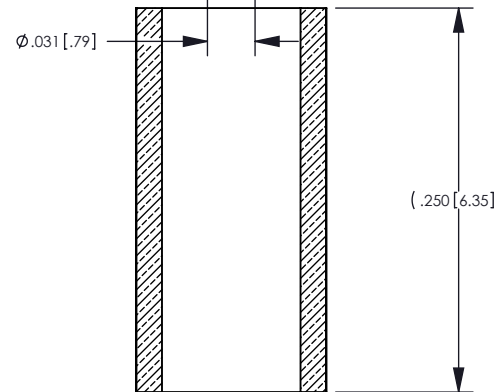
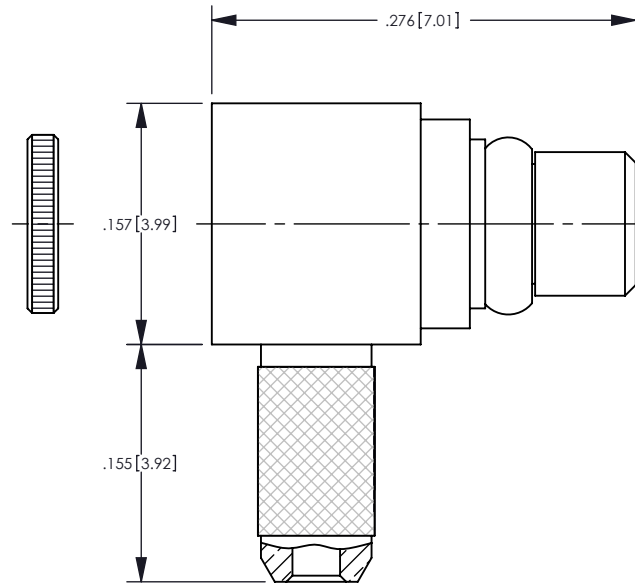


REV	DESCRIPTION	BY DATE	APPD
A	RELEASED PER ER10249	RAF 08/22/08	JB



CABLE TRIM DIMENSION



NOTES: UNLESS OTHERWISE SPECIFIED

- FOR GENERAL SERIES SPECIFICATIONS, SEE SD47-0000.
- MATERIAL:
ALL METAL PARTS: COPPER ALLOY
INSULATOR: PTFE PER ASTM D1710
- FINISH:
CONTACT AND RETAINING RING: .000030 MIN GOLD PER ASTM B4888 OVER
.000100 MIN COPPER PER ASTM B734
ALL OTHER METAL PARTS: .000015 MIN GOLD PER ASTM B4888 OVER
.000100 MIN COPPER PER ASTM B734
- ELECTRICAL:
IMPEDANCE: 50 OHM
FREQUENCY: DC - 6 GHZ
NON-MAGNETIC
- FERRULE AND CAP SHIPPED LOOSE.
- DESIGNED FOR USE WITH LEONI L45466-B612-W28-EN CABLE
- FOR CABLING PROCEDURES SEE CABLE ASSEMBLY PROCEDURE 9-18.
- CRIMP FERRULE USING .105 HEX CRIMP DIE.

CATALOG No. 472-900-0363HN

PER ASME Y14.5M-1994 UNLESS OTHERWISE SPECIFIED: DIMENSIONS ARE IN INCHES [MM] TOLERANCES: DECIMAL: .XX ± .01 [0.3] .XXX ± .005 [0.13] .XXXX ± .XXXX ANGLES: ± 2° SCALE: 8:1				 Winchester Electronics Corporation 62 Barnes Industrial Road North Wallingford, Connecticut 06492	
CUSTOMER DRAWING					
DRAWN PSM	DATE 01/10/07	APPROVED RF	DATE 08/22/08	MMCX RIGHT ANGLE PLUG LEONI L45466-B612-W28-EN CABLE NON-MAGNETIC	
APPROVED JB	DATE 08/21/08	APPROVED M. AYUB	DATE 08/21/08	A SD472-900-0363HN	SHT 1 OF 1
				REV A	