

Seat shall be Comfort™ Seats

Model Number C106CAM C106SSCAM

Commercial Deluxe Plastic Toilet Seat

Elongated Open Front Less Cover

Category

COMMERCIAL

Features

- Injection molded durable polypropylene plastic with UV protection
- External check hinge stops at 11 degrees beyond vertical
- Ergonomical comfort curve seat design
- 304 stainless steel hinge post and hardware
- Built in bumpers
- Anti-skid rubberized bushing
- Hinges are hidden by seat - no pinching
- C106SSCAM - External self-sustaining hinge holds at 11 degrees before and beyond vertical



Seat Color/Finish

Specify white

Hinge Color/Finish

Specify white

Product Specifications

Hinge Design:

C106CAM - External check hinge with 304 series stainless steel hardware

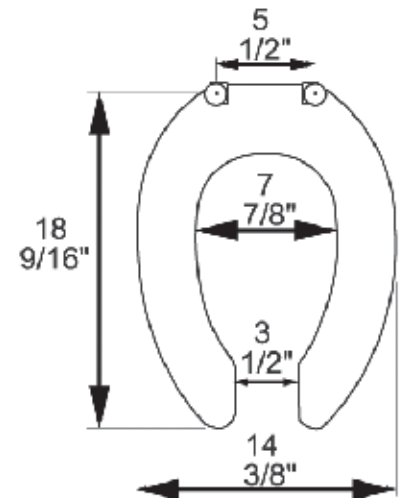
C106SSCAM - External self-sustaining check hinge with 304 series stainless steel hardware

Ring Thickness: 7/8"

Ring Thickness with Bumper: 1"

Height of Seat with Cover: N/A

Size: ANSI Standard Toilet - Meets Z124.5 Section 5.1.2



Additional Information

All seats feature UV protection.



Check Hinge - External check hinge with 304 series stainless steel hinge posts stops seat 11 degrees beyond vertical



Self-Sustaining Check Hinge - External self-sustaining check hinge seat in any raised position up to 11 degrees beyond vertical

