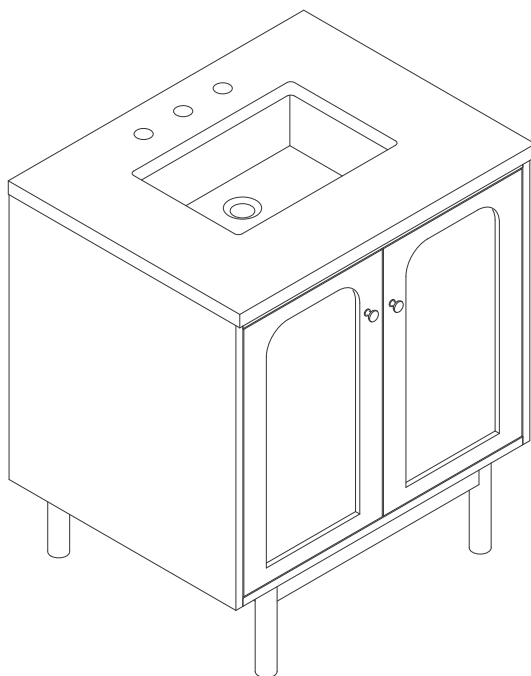


30" LAURENT VANITY

545-V30-LNO
545-V30-HNO

JAMES MARTIN
VANITIES



Features and Materials

Solids: (LNO) Ash, (HNO) Poplar

Veneers: (LNO) Flat Cut Ash

Panels: Plywood

Installation Type: Floor Standing with Wood Base or Wall Mounted

USB/Power Component: YES (ETL5011080)

Assembly Type: Installation of Optional 3cm Top with Sink

Assembly Type: Remove Base to Wall Hang (hardware included)

Hardware Material and Finish: Zinc Alloy in Champagne Brass

Number of Basins: One, with Optional 3cm Top

Vanity Top Included : NO, Optional 3cm Tops Available with Sinks

Overflow: Front Facing Color Fits Drain Hole Size: 1 3/4"

European Soft Close Hinges

Adjustable Levelers

Dimension

Width: 29-7/8"

Depth: 23"

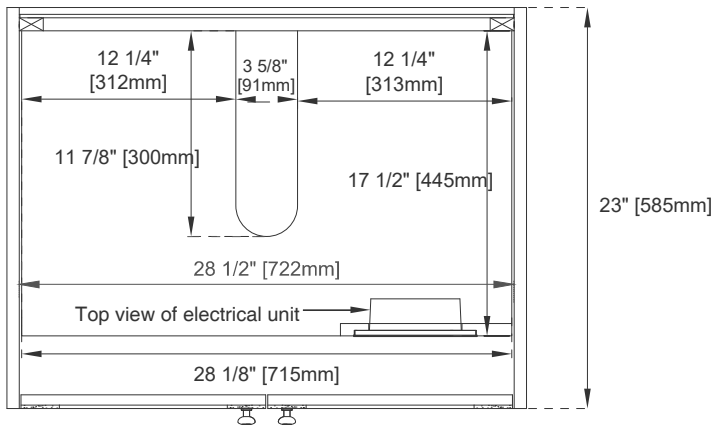
Height: 33"

Rough-In Height: 21-1/2"

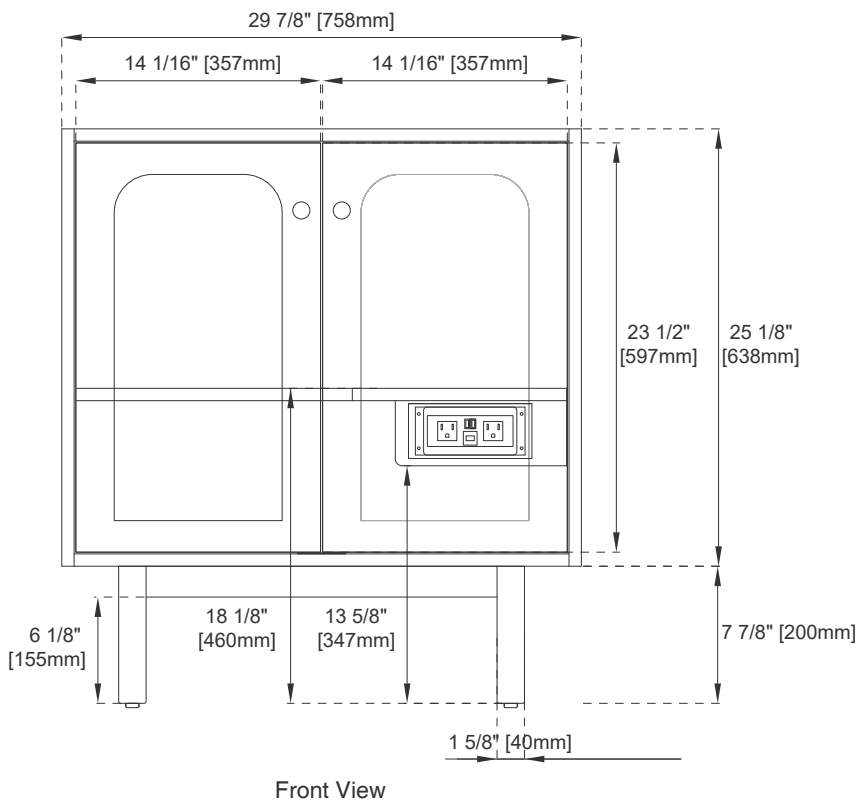
30" LAURENT VANITY

JAMES MARTIN VANITIES

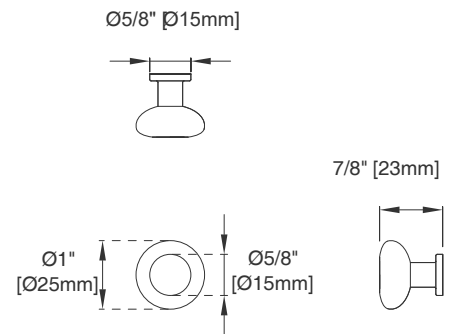
545-V30-LNO
545-V30-HNO



Top View



Front View



Knob

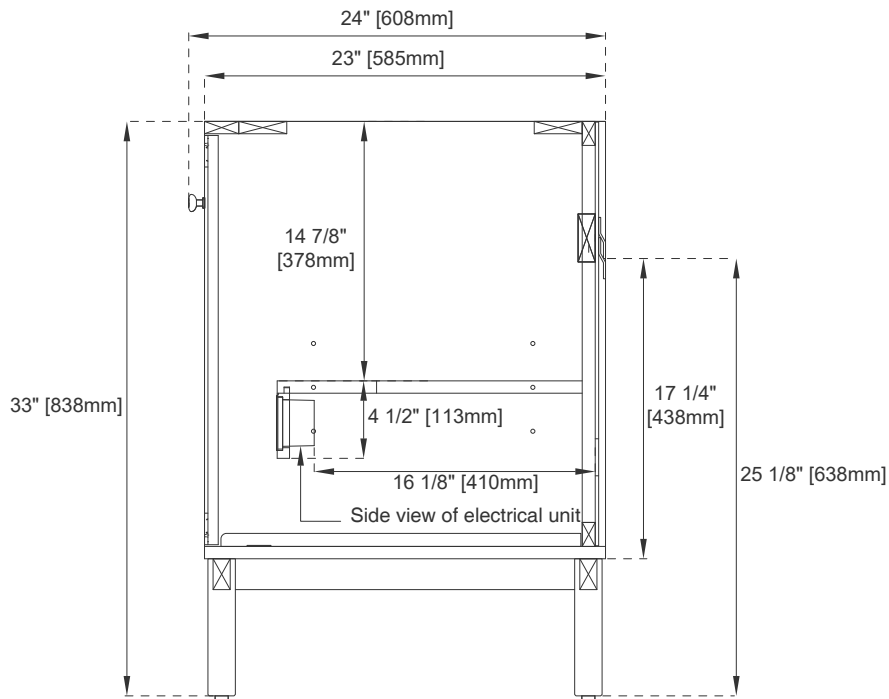
All dimensions are nominal
Diagrams are of cabinet only—James Martin Optional Countertops and sinks are not shown

Visit website for warranty and installation information
www.jamesmartinvanities.com

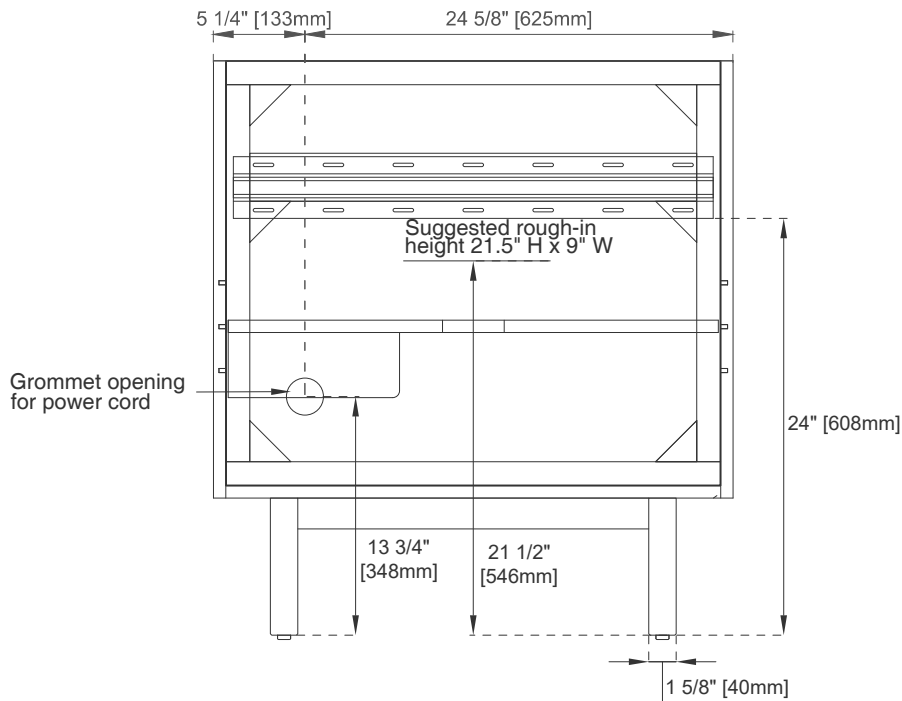
30" LAURENT VANITY

545-V30-LNO
545-V30-HNO

JAMES MARTIN VANITIES



Side View



Back View

All dimensions are nominal
Diagrams are of cabinet only—James Martin Optional Countertops and sinks are not shown

Visit website for warranty and installation information
www.jamesmartinvanities.com