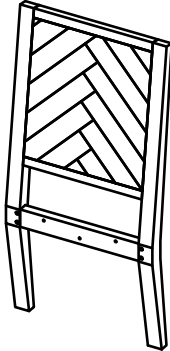


HERRINGBONE DINING CHAIR ASSEMBLY INSTRUCTIONS

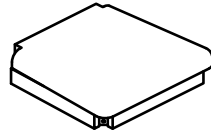


PARTS PACKING CONFIGURATIONS

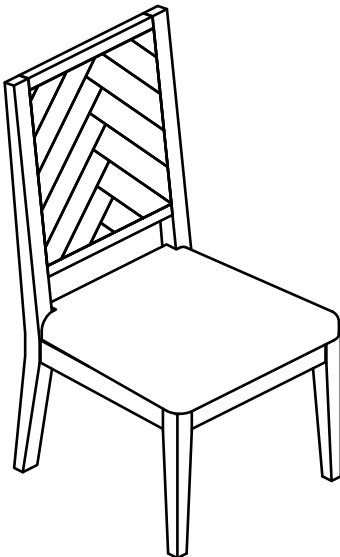
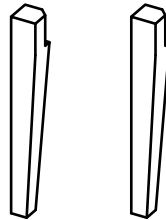
A. CHAIR BACK (1 PC)



B. CHAIR SEAT (1 PC)



C. FRONT LEG (2 PCS)



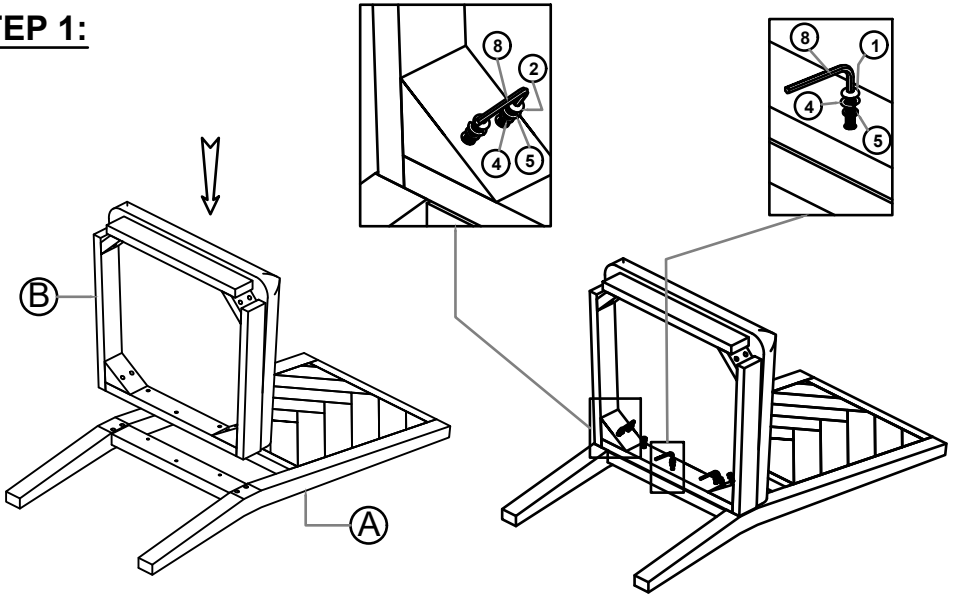
HARDWARE LIST:

No.	Description	Photo	Quantity
1	ALLEN BOLT (M6X40)		3 PCS
2	ALLEN BOLT (M6X30)		4 PCS
3	HEX NUT (M8)		4 PCS
4	FLAT WASHER (M6)		7 PCS
5	SPRING WASHER (M6)		7 PCS
6	FLAT WASHER (M8)		4 PCS
7	SPRING WASHER (M8)		4 PCS
8	ALLEN KEY		1 PC
9	SPANNER		1 PC

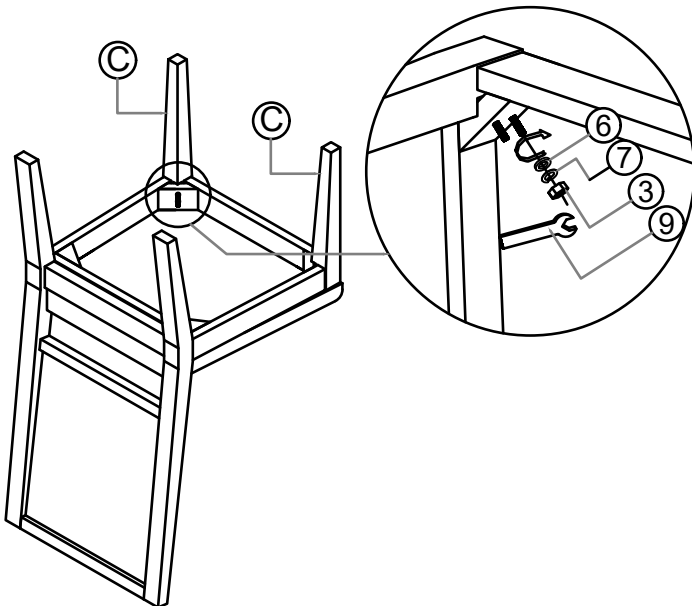
HERRINGBONE DINING CHAIR ASSEMBLY INSTRUCTIONS



STEP 1:



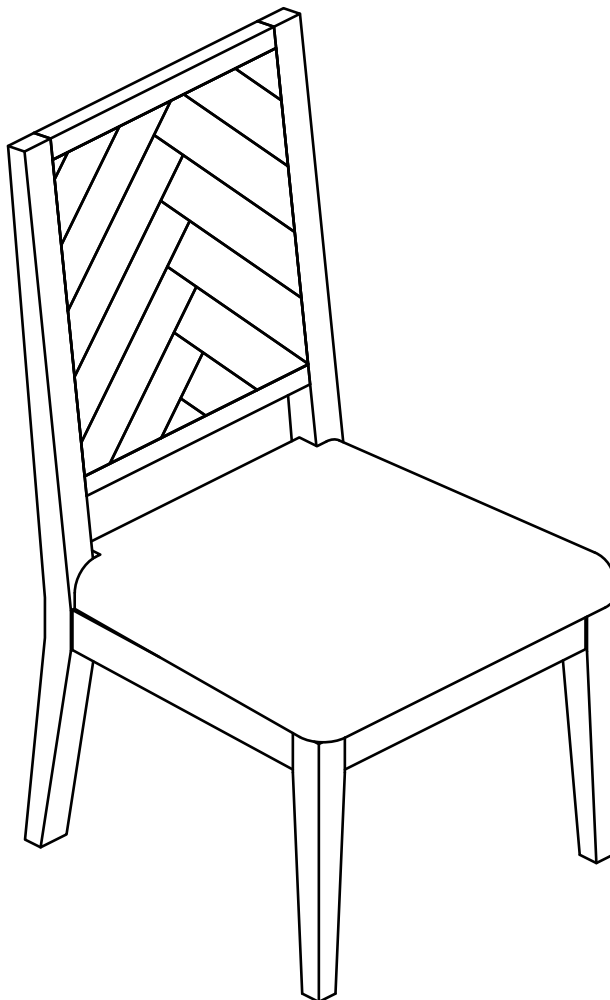
STEP 2:



HERRINGBONE DINING CHAIR ASSEMBLY INSTRUCTIONS



HERRINGBONE DINING CHAIR FULLY ASSEMBLED :



IF YOUR CHAIR IS NOT LEVEL AFTER ASSEMBLY,
MOVE CHAIR TO A FLAT, LEVEL AREA. LOOSEN,
BUT DO NOT COMPLETELY UNDO, ALL BOLTS.
ONCE CHAIR ASSEMBLY IS LOOSE, LEVEL CHAIR
ON FLAT SURFACE. ONCE LEVEL,
RETIGHTEN ALL ASSEMBLY BOLTS.