
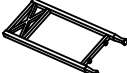
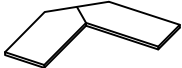
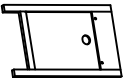







Assembly Instructions, #23430 Corner Computer/Writing Desk

Parts List

Item	Parts	Description	Quantity
A		Top Assembly	1
B		Leg Frames	2
C		Shelf	1
D		Back Frame	1

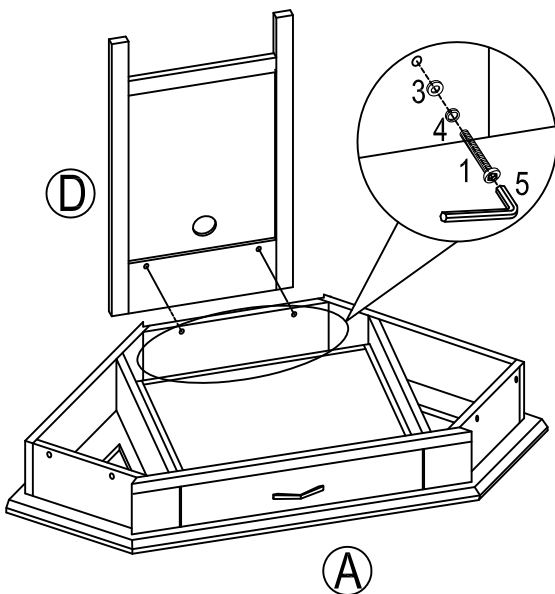
Hardware List

Item	Hardware	Description	Quantity
1		Long Allen Bolts	8
2		Short Allen Bolts	4
3		Flat Washers	12
4		Lock Washers	12
5		Allen Wrench	1

Assembly Steps

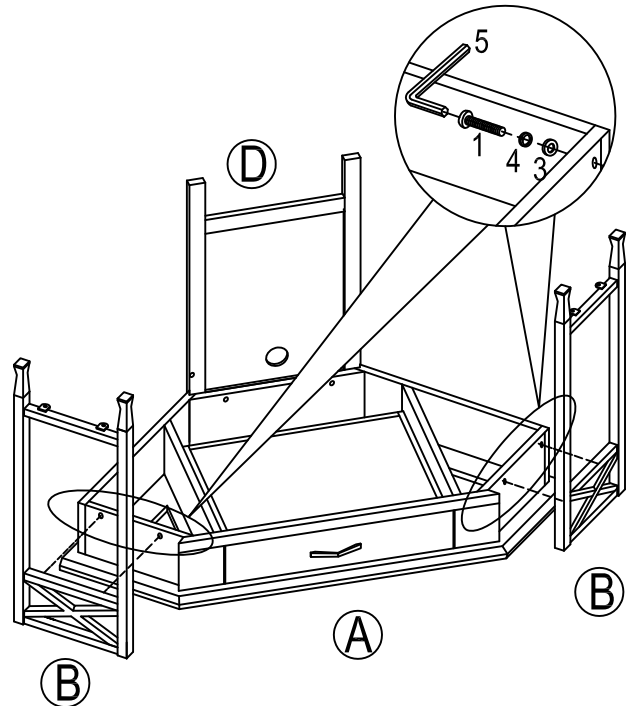
Step 1

- 1.1 Lay the Top Assembly (A) upside-down on a soft surface.
- 1.2 Fit Back Frame (D) into the Top Assembly's (A) back rail, fasten with two Long Allen Bolts. Do not tighten.



Step 2

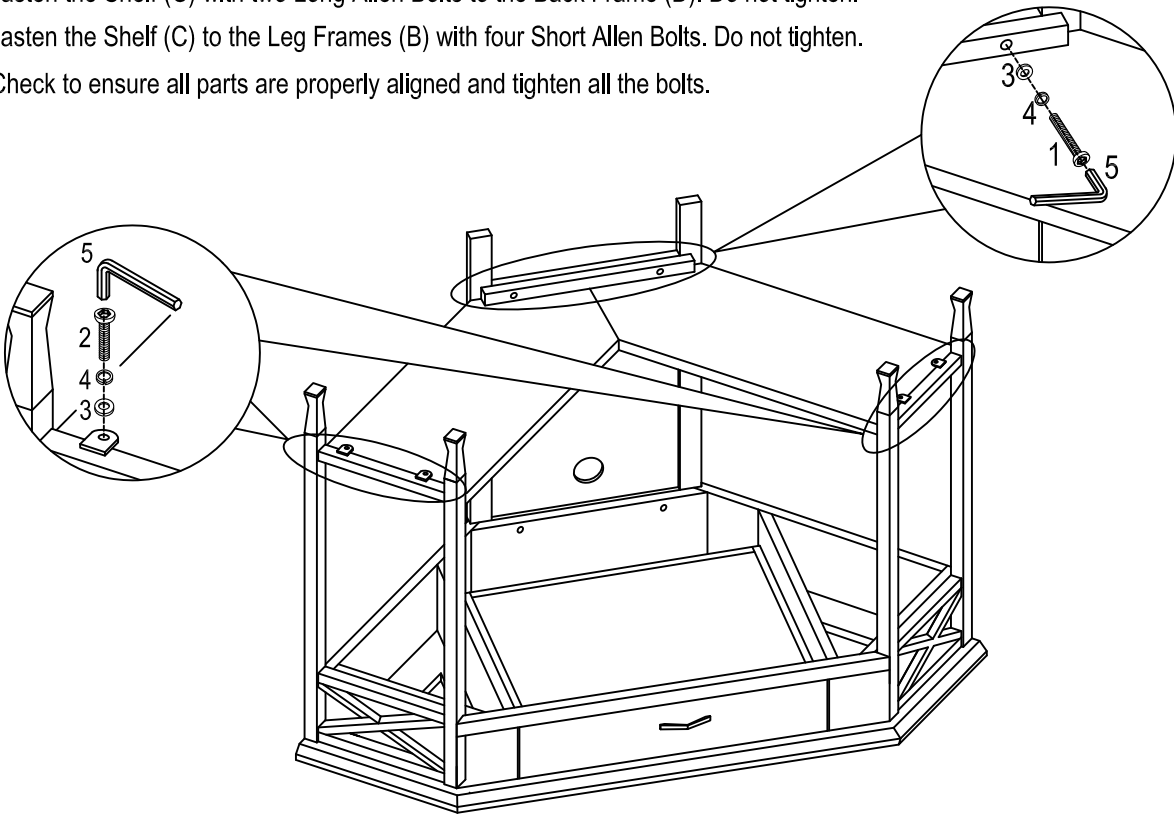
- Fit the Leg Frames (B) into the Top Assembly's (A) side rails, fasten with four long Allen Bolts. Do not tighten.



Assembly Steps

Step 3

- 3.1 Fasten the Shelf (C) with two Long Allen Bolts to the Back Frame (D). Do not tighten.
- 3.2 Fasten the Shelf (C) to the Leg Frames (B) with four Short Allen Bolts. Do not tighten.
- 3.3 Check to ensure all parts are properly aligned and tighten all the bolts.



Step 5

- 5.1 Position the assembled piece upright.
- 5.2 Adjust levelers on the bottom of leg frames if needed.

