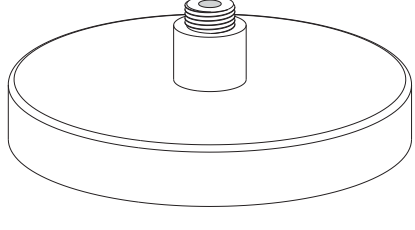


ASSEMBLY INSTRUCTION

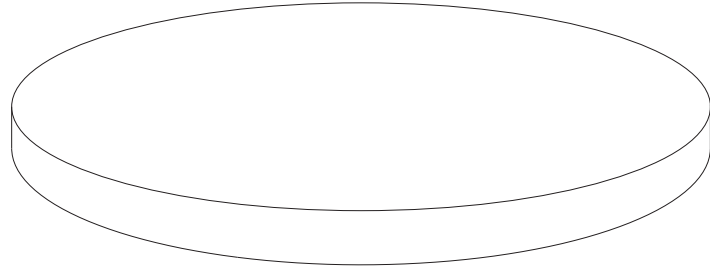
ENGLES ADJUSTABLE DRINK TABLE

X1



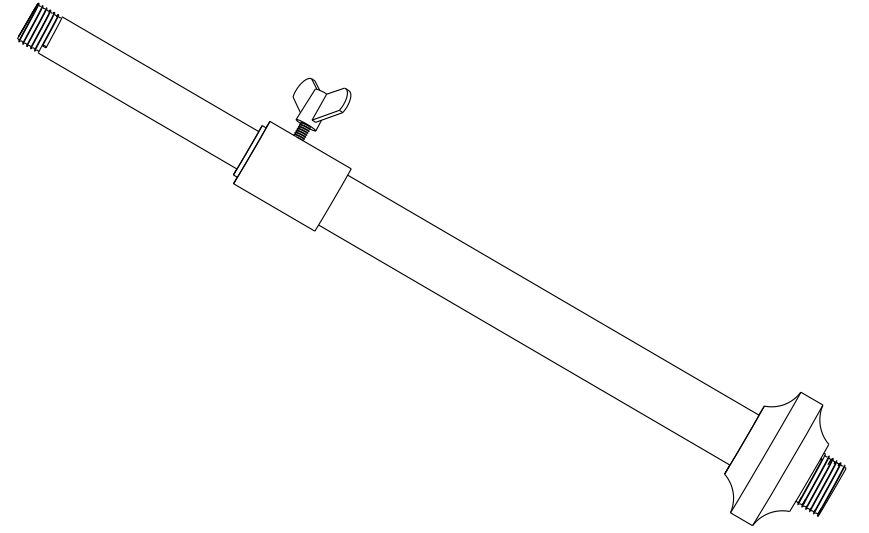
METAL BASE

X1



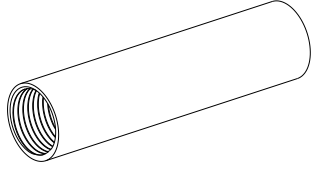
MERBLE TOP

X1



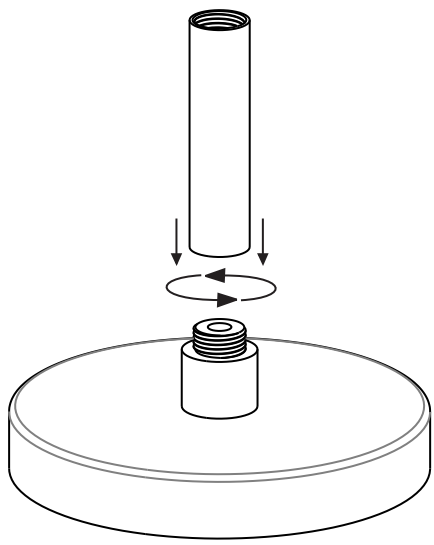
MIDDLE POST

X1



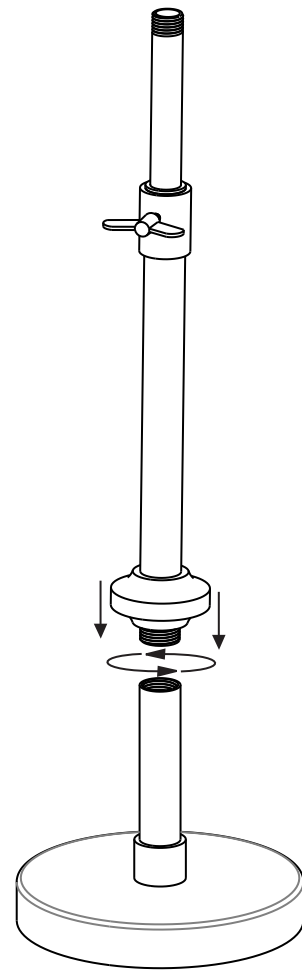
BOTTOM POST

STEP-1



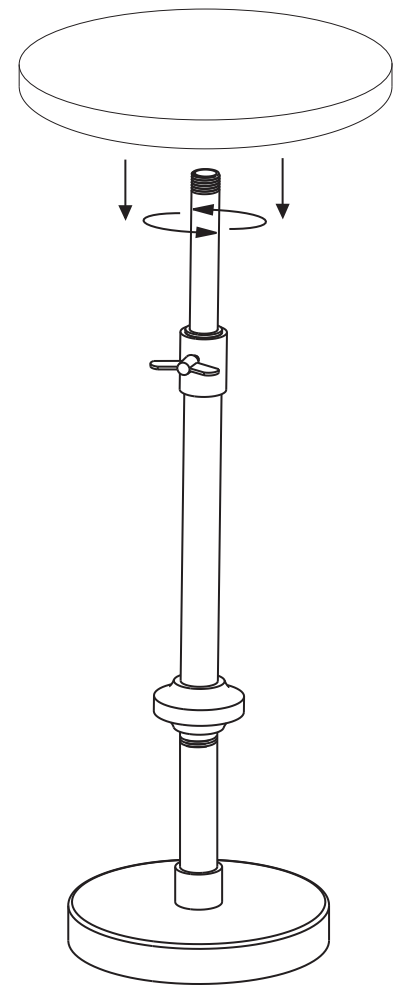
Insert small post on metal base and secure it, as shown.

STEP-2



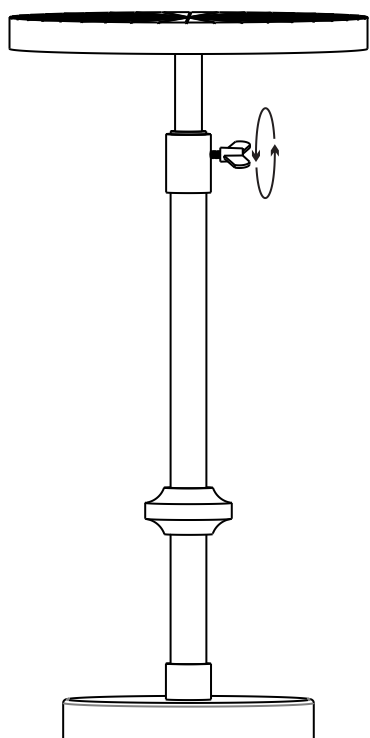
Now insert middle post on top of bottom post and secure it, as shown.

STEP-3



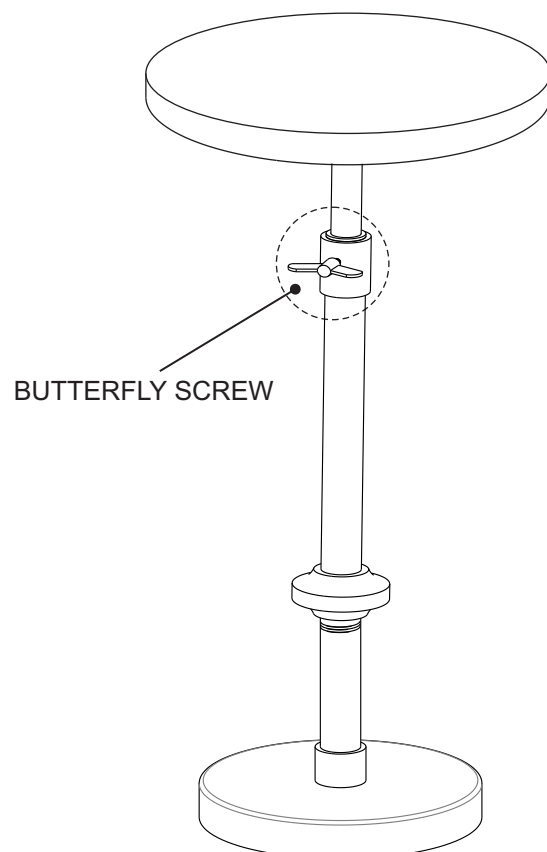
Fix Table top to the top of inserted pipe.

ASSEMBLED



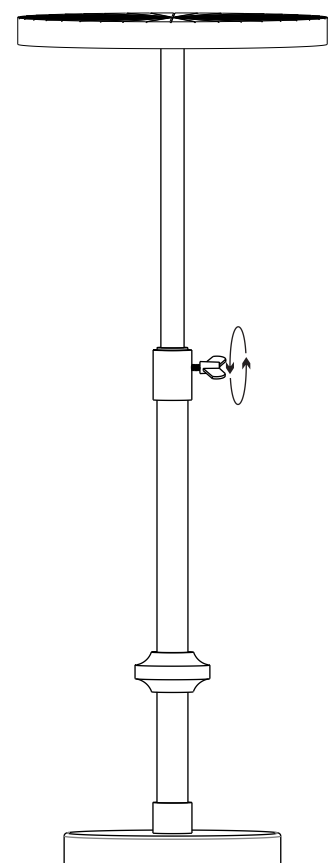
Assembled Table at Reduced height.

STEP-4



To adjust height of table, loosen butterfly screw, position inner post to desired height and retighten butterfly screw.

STEP-5



Assembled Table at extended height.