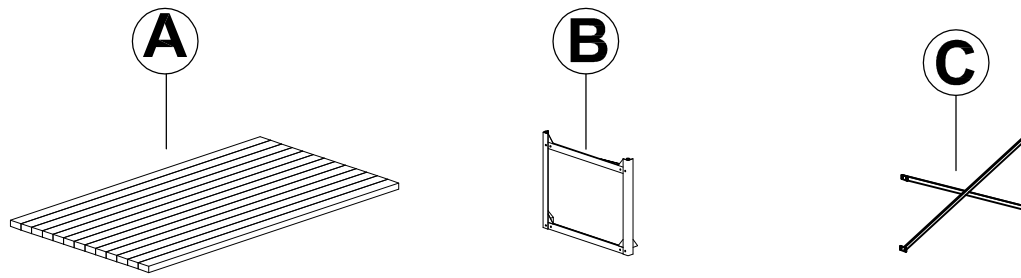


DUBOIS DINING TABLE ASSEMBLY INSTRUCTIONS



PARTS PACKING CONFIGURATION

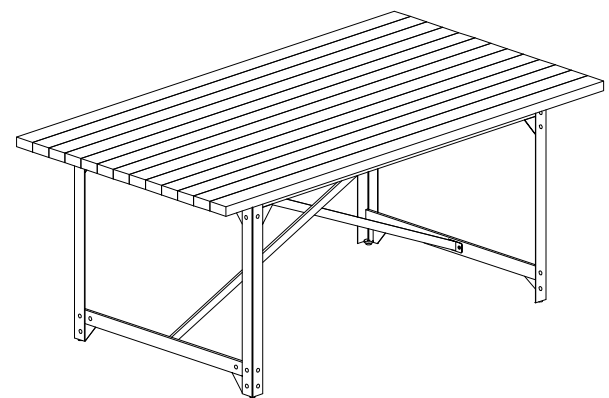
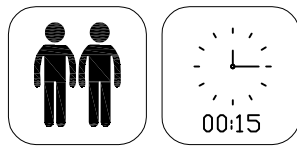
- A. TOP 1 PC
- B. LEG FRAME 2 PCS
- C. STRETCHER 1 PC



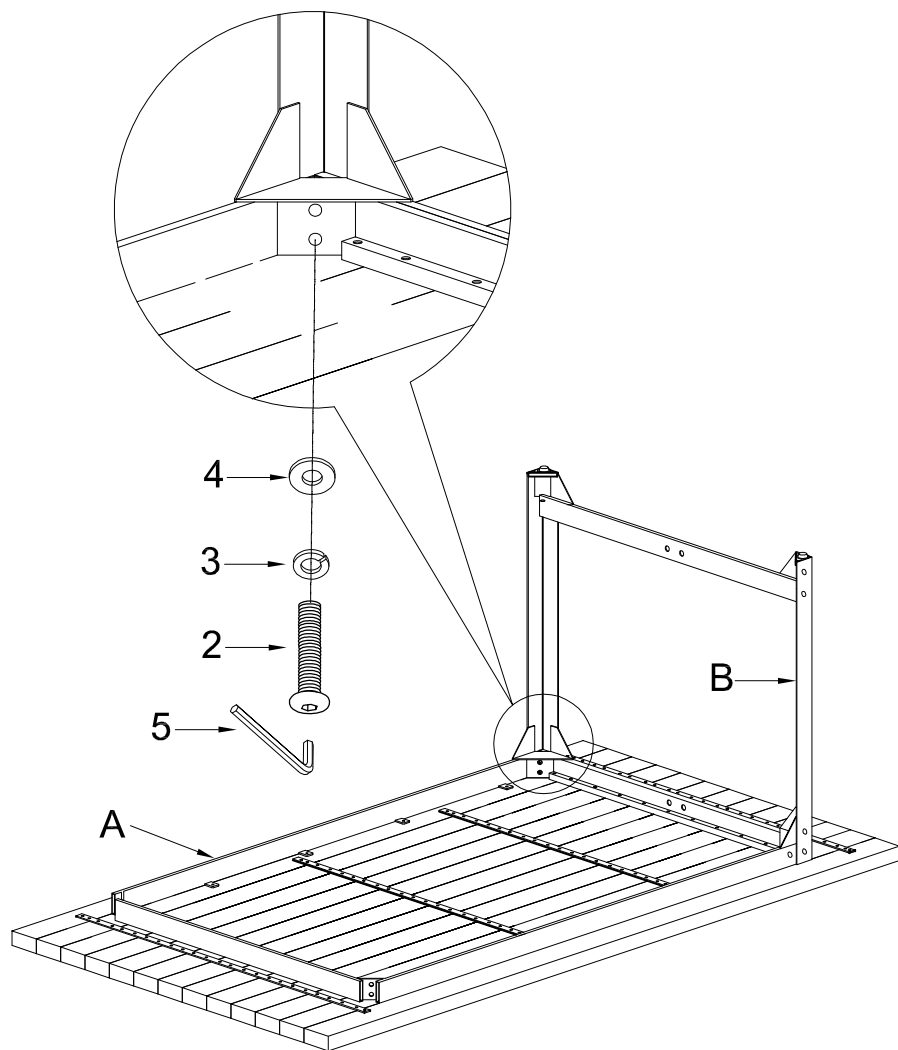
HARDWARE ENCLOSED IN CARTON

DUBOIS DINING TABLE FULLY ASSEMBLED

No	Description	Photo	Quantity
1	ALLEN BOLT (1/4" x 1/2")		8 PCS
2	ALLEN BOLT (1/4" x 1-1/4")		8 PCS
3	LOCK WASHER (1/4")		16 PCS
4	FLAT WASHER (1/4")		16 PCS
5	ALLEN KEY(1/4")		1 PC

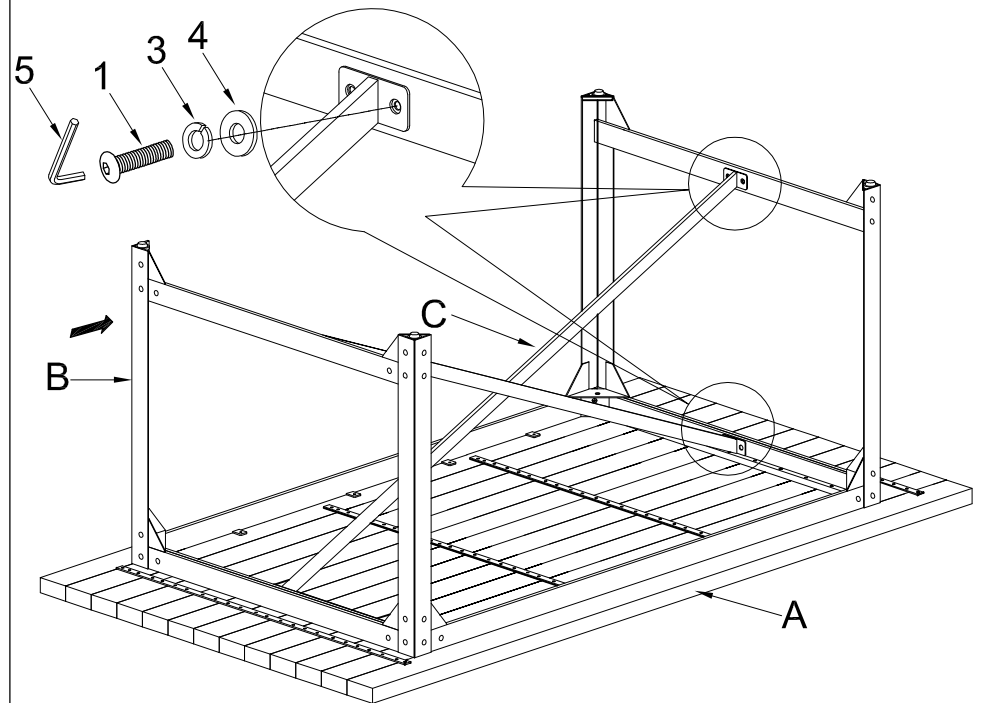


STEP 1:



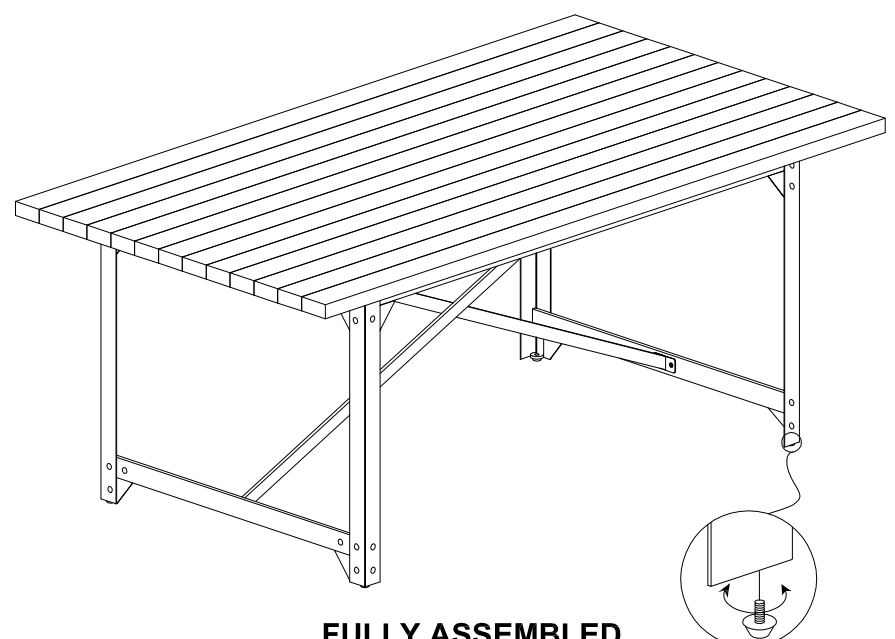
DO NOT FULLY TIGHTEN BOLTS

STEP 2:



PLEASE TIGHTEN ALL BOLTS FROM STEPS 1 & 2

STEP 3:



FULLY ASSEMBLED

IF TABLE IS NOT LEVEL ON YOUR FLOOR, PLEASE ADJUST LEVELERS ON UNDERSIDE OF LEGS (B).