

Dresser



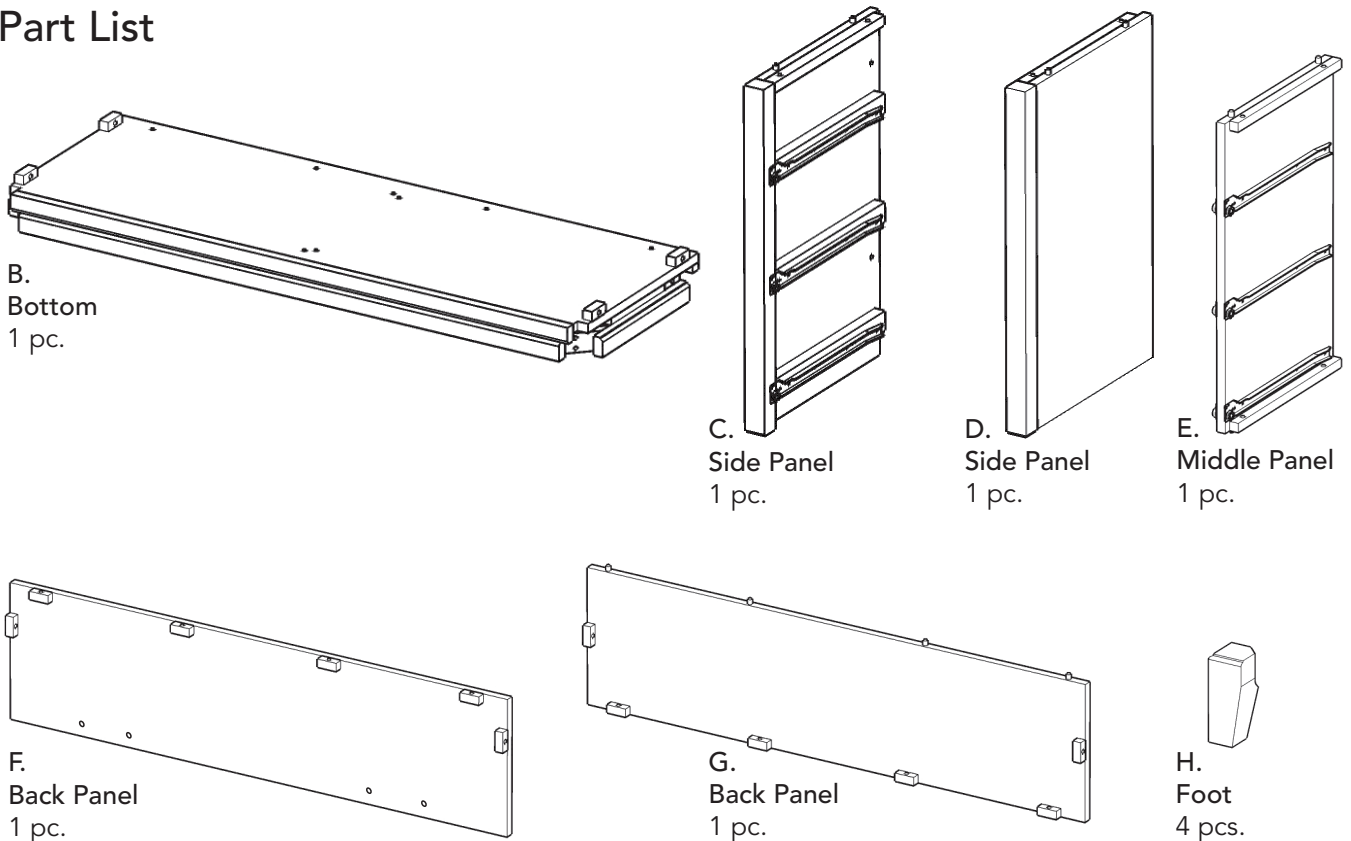
IMPORTANT

Carefully remove all the parts from the carton and place them individually on a soft cloth to prevent scratches or other damage.

Carefully and strictly follow these assembly instructions to ensure a completed product as designed.

Do not use power tools above 8 volts to assemble.

Part List



B.
Bottom
1 pc.

C.
Side Panel
1 pc.

D.
Side Panel
1 pc.

E.
Middle Panel
1 pc.

F.
Back Panel
1 pc.

G.
Back Panel
1 pc.

H.
Foot
4 pcs.

Hardware List



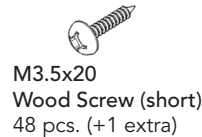
Hex Wrench
1 pc.



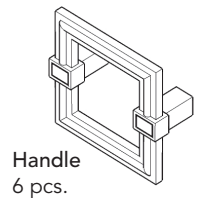
M6x40
Head Cap Bolt (long)
8 pcs. (+1 extra)



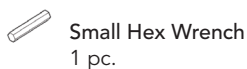
M6x30
Head Cap Bolt
24 pcs. (+1 extra)



M3.5x20
Wood Screw (short)
48 pcs. (+1 extra)



Handle
6 pcs.



Small Hex Wrench
1 pc.



Flat Washer
32 pc. (+1 extra)



Spring Washer
32 pc. (+1 extra)



M4x30
Wood Screw
60 pcs. (+1 extra)



M4x30
Machine Screw
12 pcs.

Carton 20 05507 0431 is also needed for assembly.

Tool(s) required for assembly: Phillips screwdriver, Level, Drill (8 volts or less), 3/8" Drill Bit

Home Styles Customer Service: www.homestyles-furniture.com,
 servicedesk@homestyles-furniture.com, 888-680-7460, 877-831-0319

Assembly Instructions 2/11

IMPORTANT

- Use a soft cloth between these parts and the floor.
- Do not use power tools above 8 volts to assemble.
- Do not tighten all the bolts until each part is properly assembled.
- The unit must be level to work properly. Use the included adjustable levelers to level.
- Keep Hex Wrench as the bolts may need to be tightened in the future.

STEP 1

Place Bottom (B) upside down on a soft cloth.

Attach Feet (H) to unit with Flat Washers, Spring Washers and Head Cap Bolts (long). (See Figure 1)

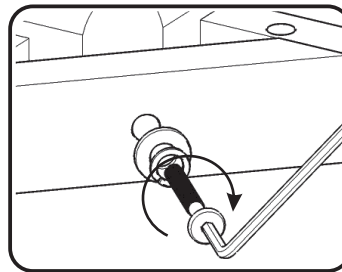
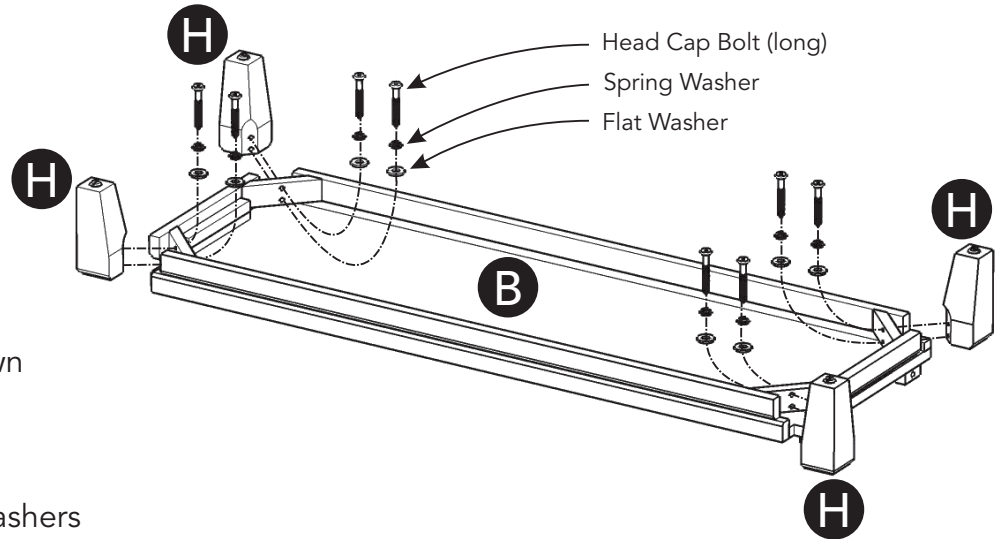


Figure 1

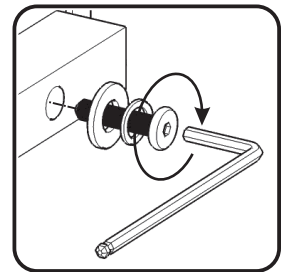
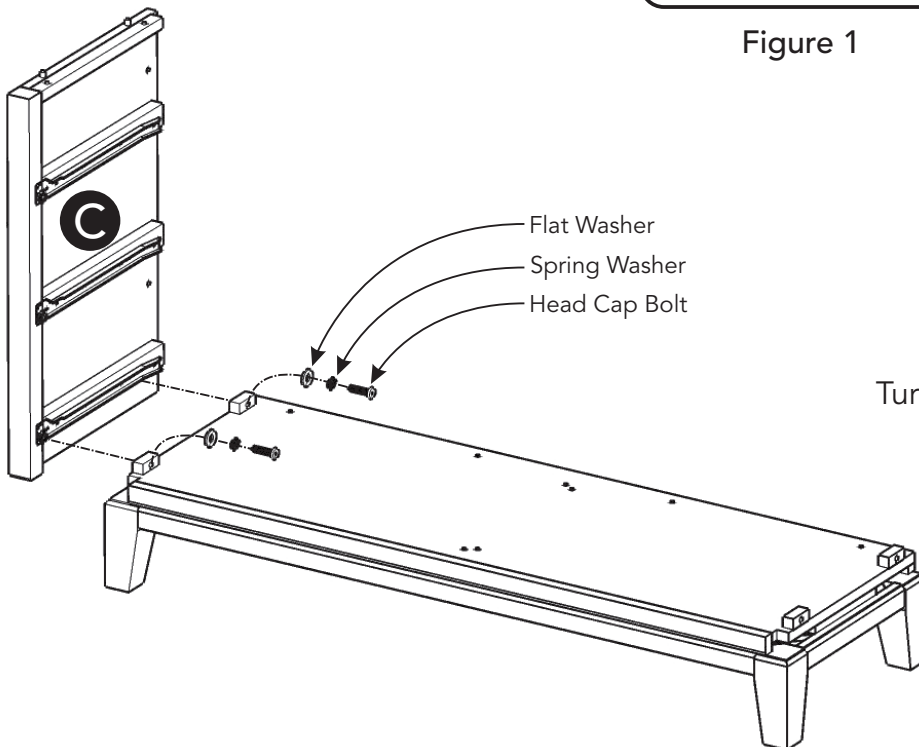


Figure 2



STEP 2

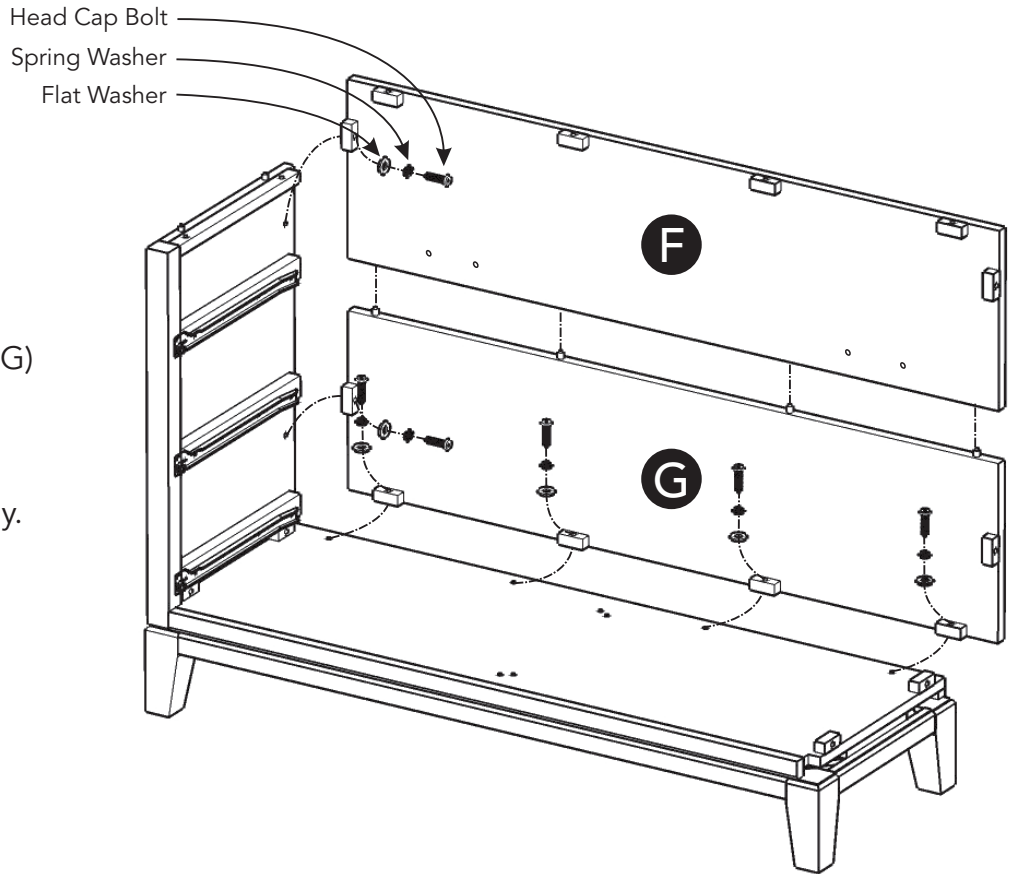
Turn unit over to its' upright position.

Attach Side Panel (C) to unit with Flat Washers, Spring Washers, Head Cap Bolts, tightening bolts only halfway. (See Figure 2)

Assembly Instructions 3/11

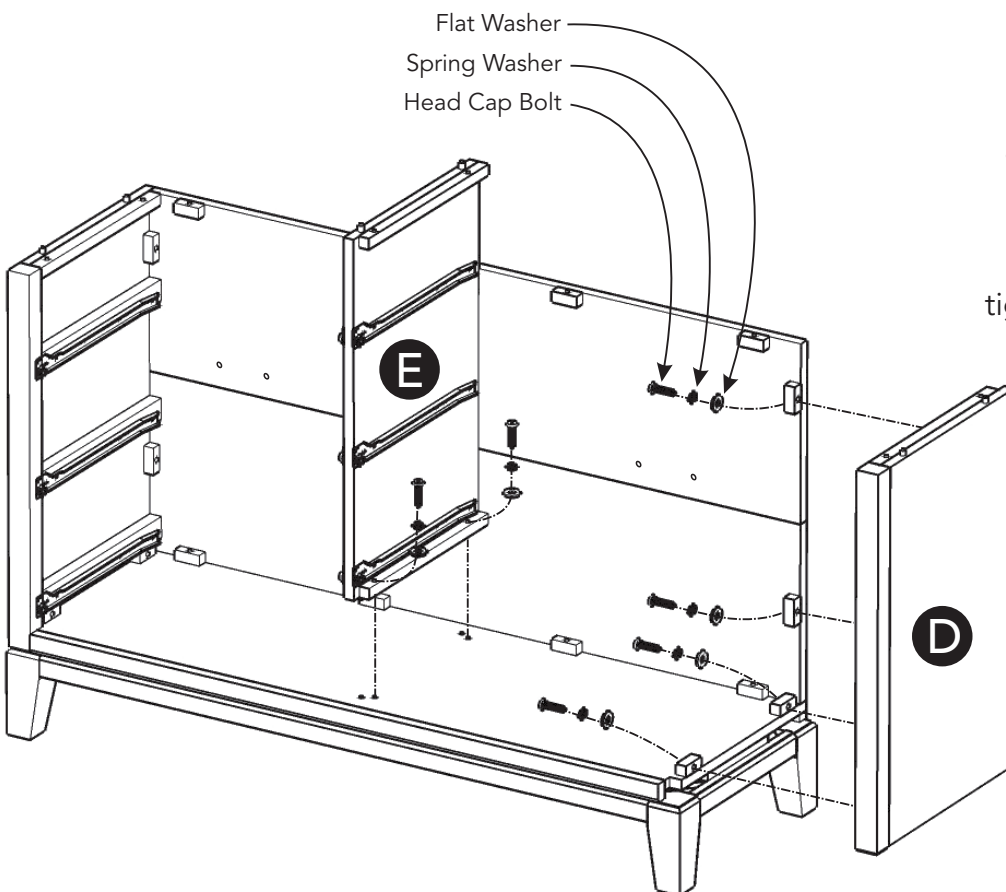
STEP 3

Attach Back Panels (F) and (G) to unit with Flat Washers, Spring Washers, and Head Cap Bolts, tightening bolts only halfway.



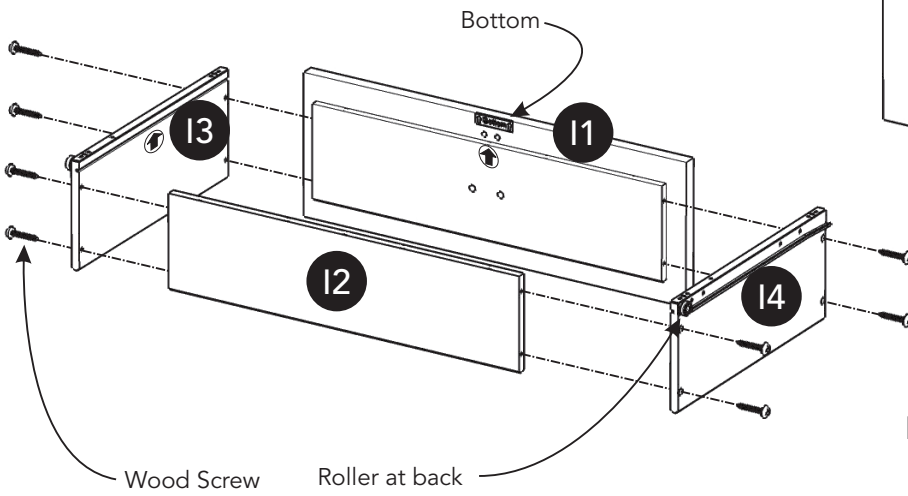
STEP 4

Attach Side Panel (D) and Middle Panel (E) to unit with Flat Washers, Spring Washers and Head Cap Bolts, tightening bolts only halfway.



Assembly Instructions 4/11

Drawer (I)



STEP 5

Attach Drawer Front (I1) and Drawer Back (I2) to Drawer Side (I3) with Wood Screws.

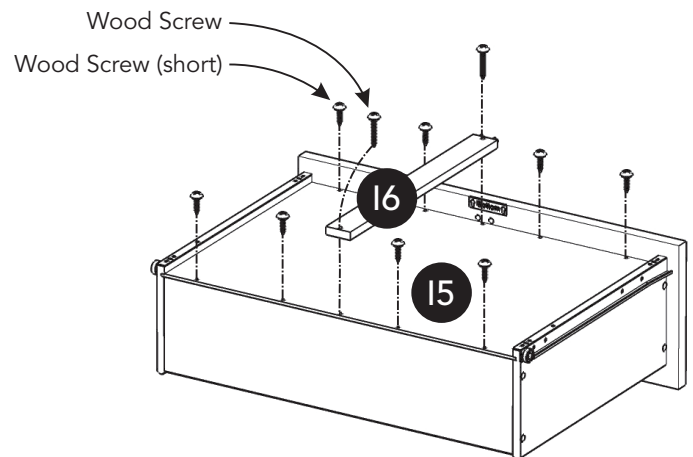
Attach Drawer Side (I4) to unit with Wood Screws.

STEP 6

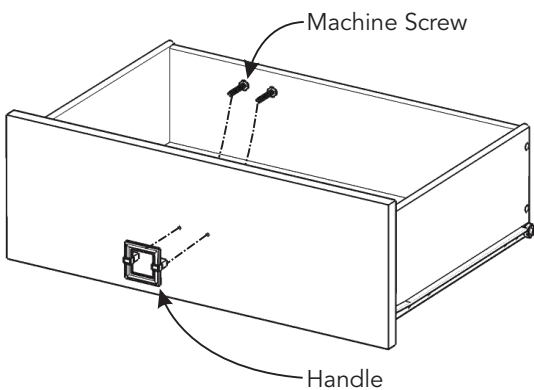
Slide Drawer Bottom (I5) into groove.

Attach Support (I6) to unit with Wood Screws.

Attach Drawer Bottom (I5) to unit with Wood Screws (short).

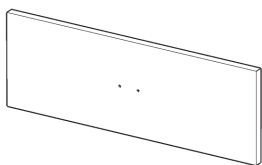


STEP 7

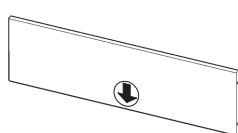


Attach Handle with Machine Screws.

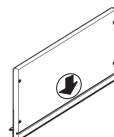
Part List



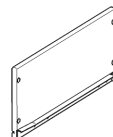
11.
Drawer Front
1 pc.



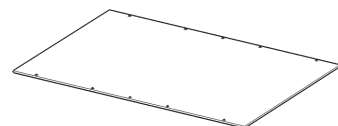
12.
Drawer Back
1 pc.



13.
Drawer Side
1 pc.



14.
Drawer Side
1 pc.



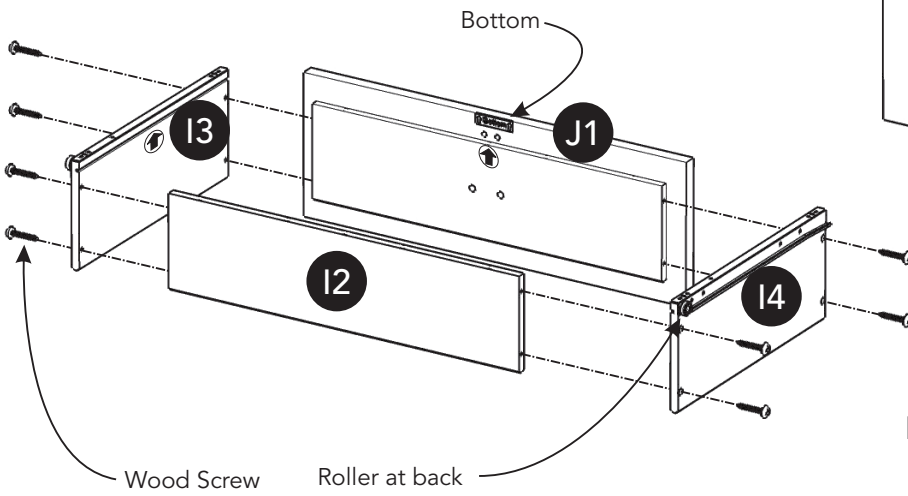
15.
Drawer Bottom
1 pc.



16.
Support
1 pc.

Assembly Instructions 5/11

Drawer (J)



STEP 8

Attach Drawer Front (J1) and Drawer Back (I2) to Drawer Side (I3) with Wood Screws.

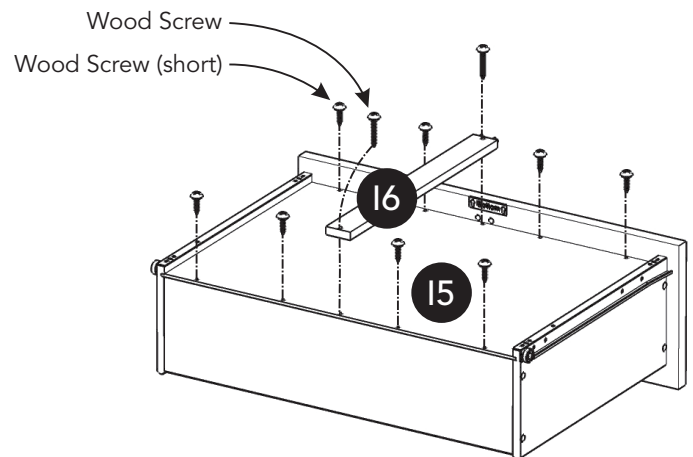
Attach Drawer Side (I4) to unit with Wood Screws.

STEP 9

Slide Drawer Bottom (I5) into groove.

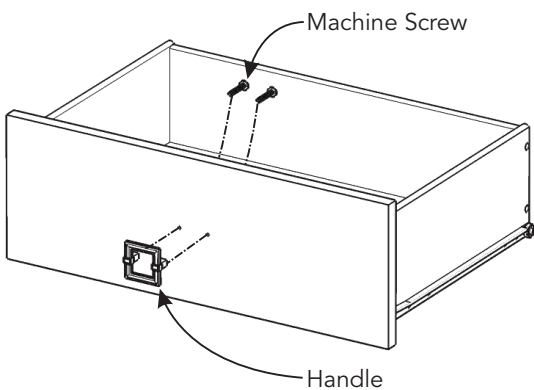
Attach Support (I6) to unit with Wood Screws.

Attach Drawer Bottom (I5) to unit with Wood Screws (short).

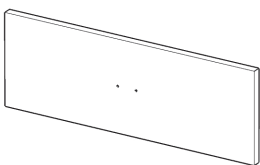


STEP 10

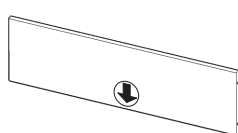
Attach Handle with Machine Screws.



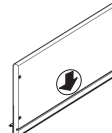
Part List



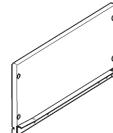
J1.
Drawer Front
1 pc.



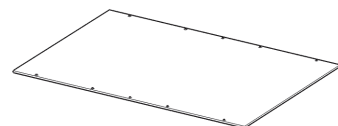
I2.
Drawer Back
1 pc.



I3.
Drawer Side
1 pc.



I4.
Drawer Side
1 pc.



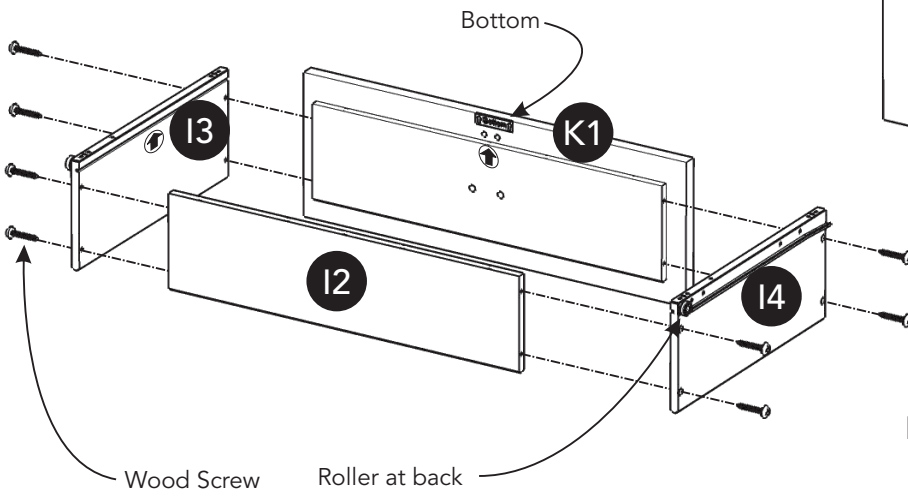
I5.
Drawer Bottom
1 pc.



I6.
Support
1 pc.

Assembly Instructions 6/11

Drawer (K)



STEP 11

Attach Drawer Front (K1) and Drawer Back (I2) to Drawer Side (I3) with Wood Screws.

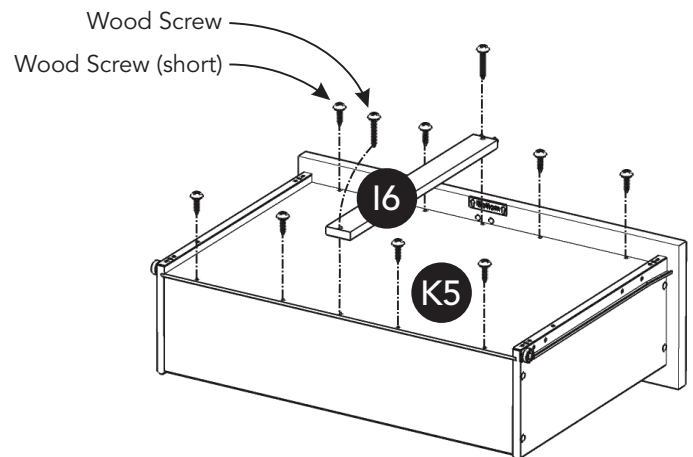
Attach Drawer Side (I4) to unit with Wood Screws.

STEP 12

Slide Drawer Bottom (K5) into groove.

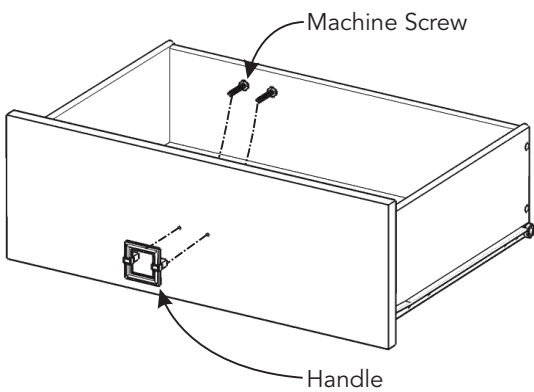
Attach Support (I6) to unit with Wood Screws.

Attach Drawer Bottom (K5) to unit with Wood Screws (short).

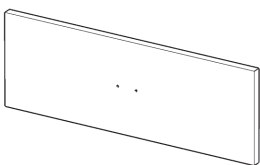


STEP 13

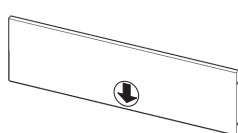
Attach Handle with Machine Screws.



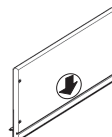
Part List



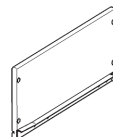
K1.
Drawer Front
1 pc.



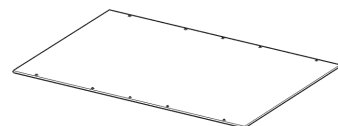
I2.
Drawer Back
1 pc.



I3.
Drawer Side
1 pc.



I4.
Drawer Side
1 pc.



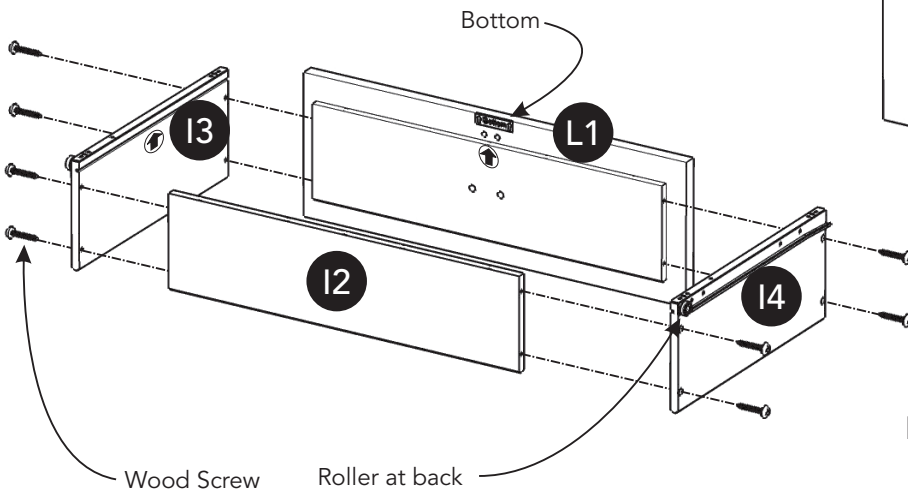
K5.
Drawer Bottom
1 pc.



I6.
Support
1 pc.

Assembly Instructions 7/11

Drawer (L)



STEP 14

Attach Drawer Front (L1) and Drawer Back (I2) to Drawer Side (I3) with Wood Screws.

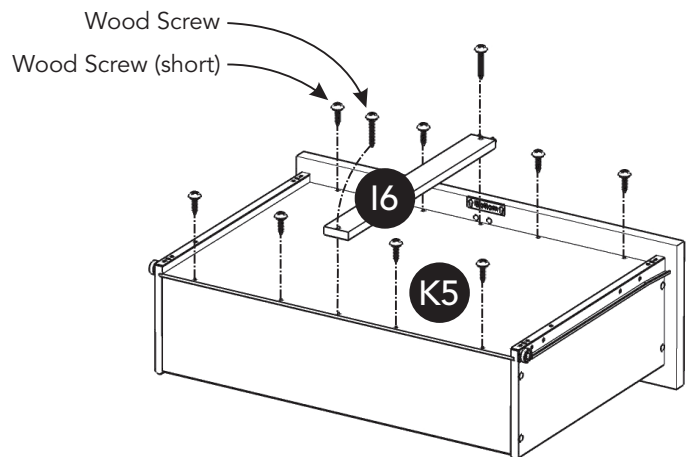
Attach Drawer Side (I4) to unit with Wood Screws.

STEP 15

Slide Drawer Bottom (K5) into groove.

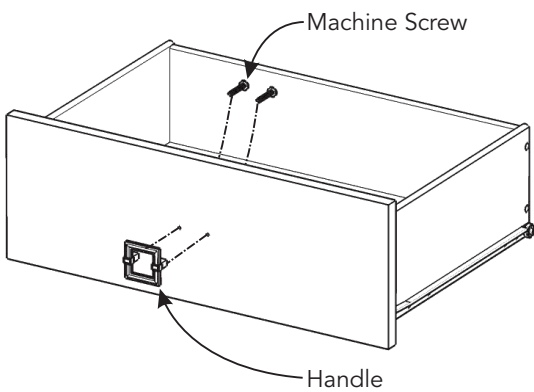
Attach Support (I6) to unit with Wood Screws.

Attach Drawer Bottom (K5) to unit with Wood Screws (short).

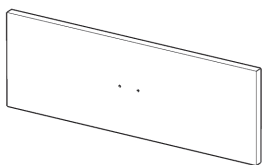


STEP 16

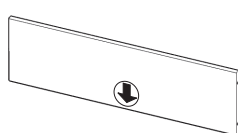
Attach Handle with Machine Screws.



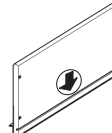
Part List



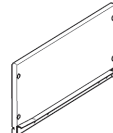
L1.
Drawer Front
1 pc.



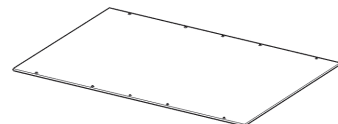
I2.
Drawer Back
1 pc.



I3.
Drawer Side
1 pc.



I4.
Drawer Side
1 pc.



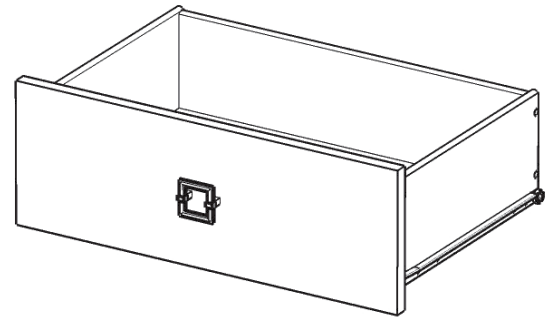
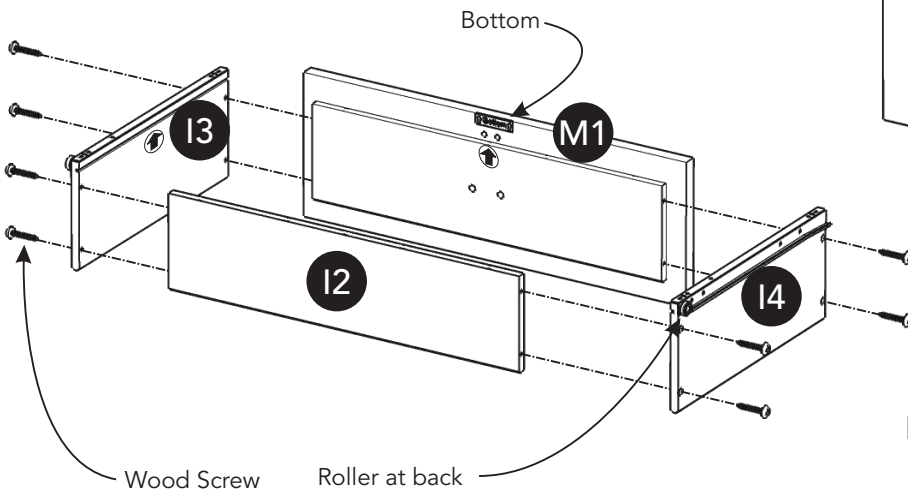
K5.
Drawer Bottom
1 pc.



I6.
Support
1 pc.

Assembly Instructions 8/11

Drawer (M)



STEP 17

Attach Drawer Front (M1) and Drawer Back (I2) to Drawer Side (I3) with Wood Screws.

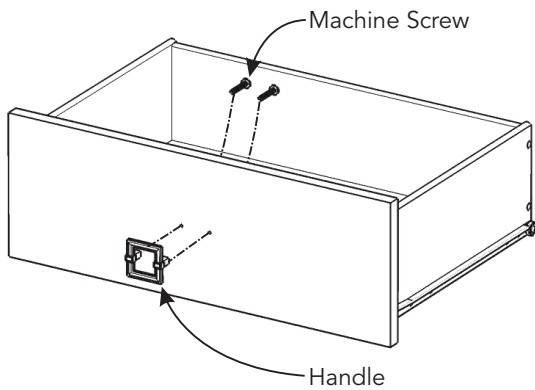
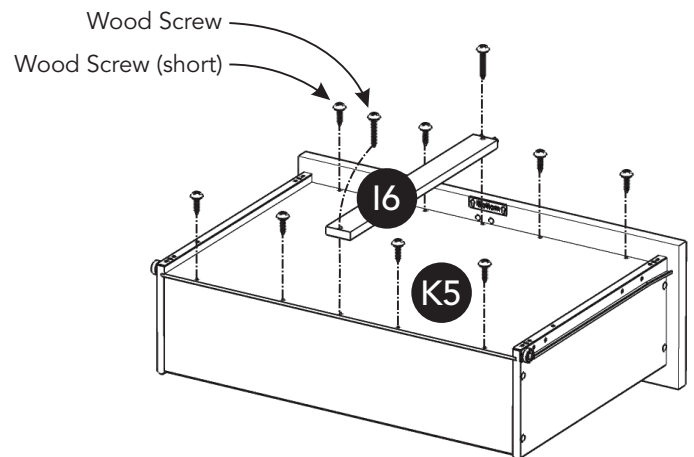
Attach Drawer Side (I4) to unit with Wood Screws.

STEP 18

Slide Drawer Bottom (K5) into groove.

Attach Support (I6) to unit with Wood Screws.

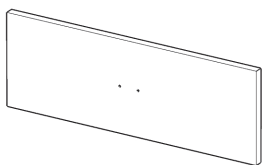
Attach Drawer Bottom (K5) to unit with Wood Screws (short).



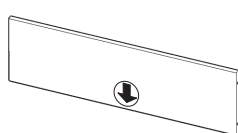
STEP 19

Attach Handle with Machine Screws.

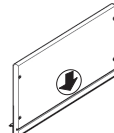
Part List



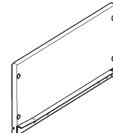
M1.
Drawer Front
1 pc.



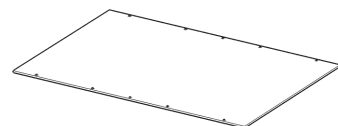
I2.
Drawer Back
1 pc.



I3.
Drawer Side
1 pc.



I4.
Drawer Side
1 pc.



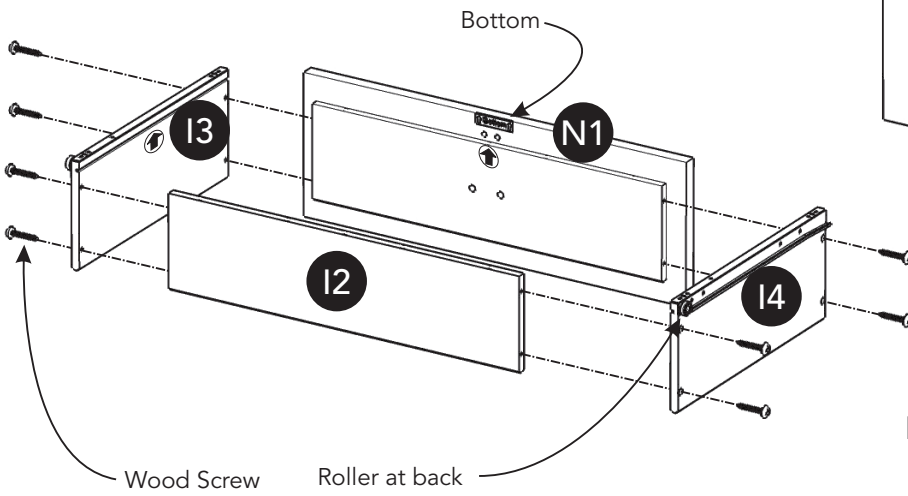
K5.
Drawer Bottom
1 pc.



I6.
Support
1 pc.

Assembly Instructions 9/11

Drawer (N)



STEP 20

Attach Drawer Front (N1) and Drawer Back (I2) to Drawer Side (I3) with Wood Screws.

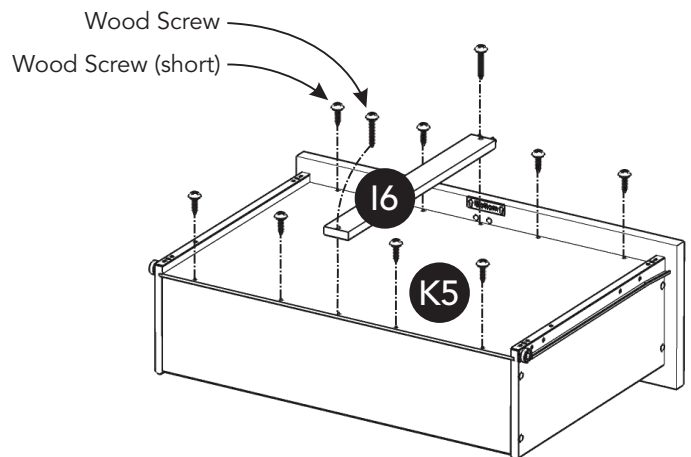
Attach Drawer Side (I4) to unit with Wood Screws.

STEP 21

Slide Drawer Bottom (K5) into groove.

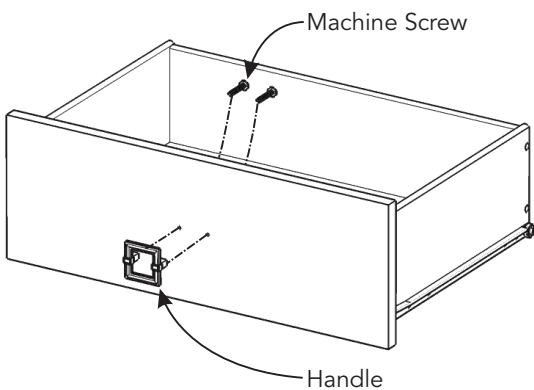
Attach Support (I6) to unit with Wood Screws.

Attach Drawer Bottom (K5) to unit with Wood Screws (short).

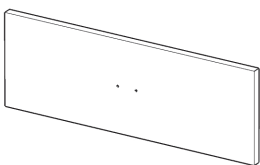


STEP 22

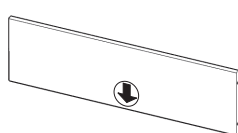
Attach Handle with Machine Screws.



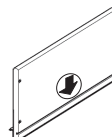
Part List



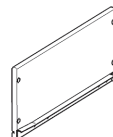
N1.
Drawer Front
1 pc.



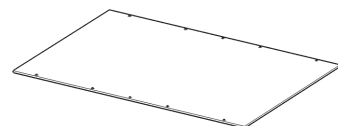
I2.
Drawer Back
1 pc.



I3.
Drawer Side
1 pc.



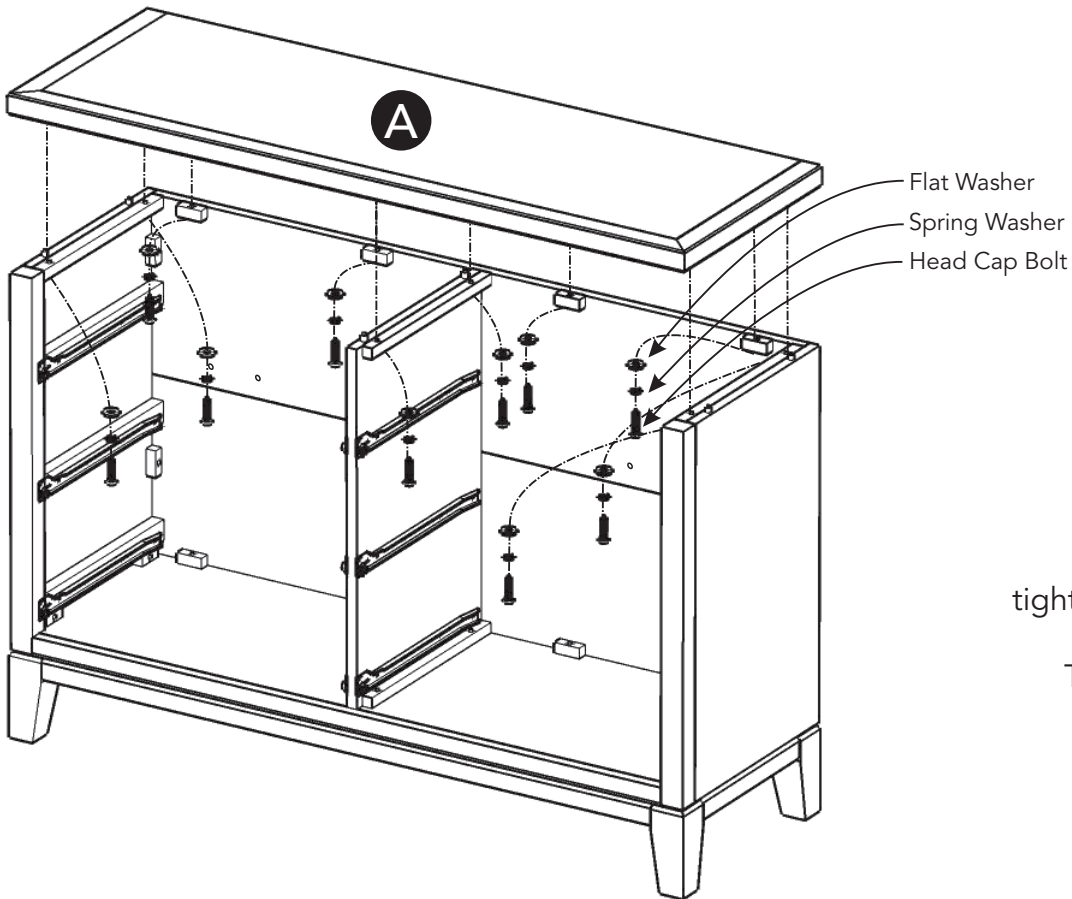
I4.
Drawer Side
1 pc.



K5.
Drawer Bottom
1 pc.



I6.
Support
1 pc.



STEP 23

Attach Top (A) to unit with Flat Washers, Spring Washers and Head Cap Bolts, tightening bolts on halfway.

Tighten all bolts used in Steps 2, 3, 4 and 23.

STEP 24

Slide Drawers (I), (J), (K), (L), (M) and (N) into position.

Level unit by adjusting the adjustable levelers on bottom of unit. (See Figure 3)

Note: Unit must be level to work properly.

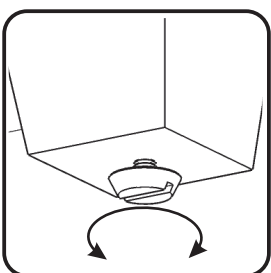
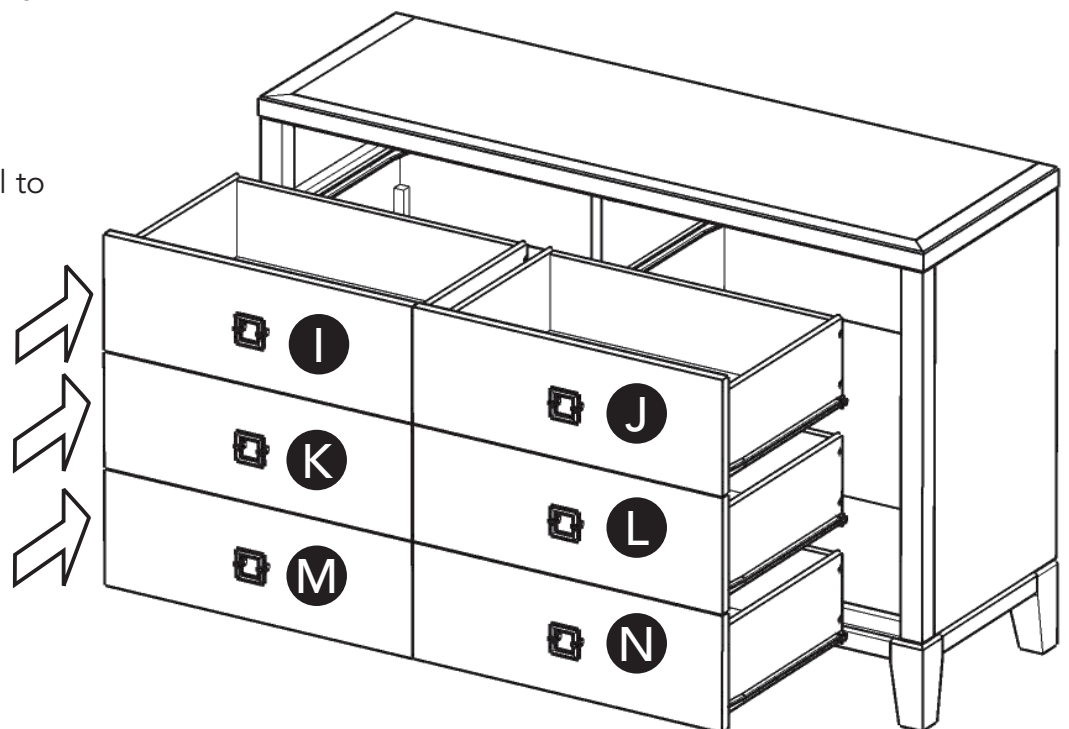


Figure 3

Assembly Instructions 11/11

IMPORTANT

- To help reduce the risk of the unit tipping over, the Tip-over Restraint must be installed following these instructions exactly.

STEP 25

Place unit at desired location.

Drill a 3/8" hole in wall in-line with the pre-drilled hole at top of unit.

Move unit.

Insert Anchor into the wall hole and attach Bracket with Wall Screw.

Attach Bracket at pre-drilled hole at top of unit with Wood Screw.

Move unit back into place.

Slide Tip-over Restraint through Bracket on wall and Bracket on unit.
(See Figure 4)

Put tie end of Tip-over Restraint into lock end of Tip-over Restraint and pull until tight.

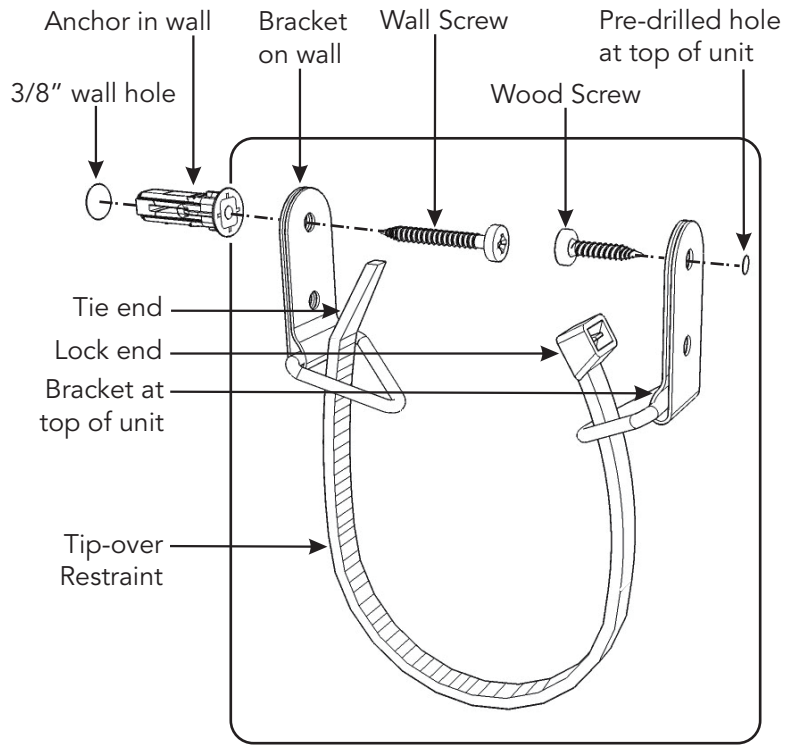
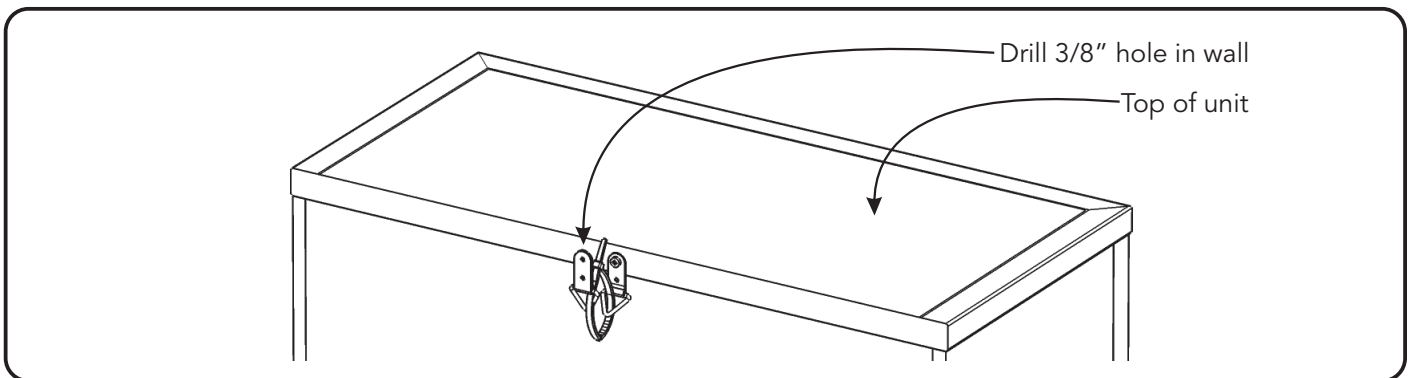
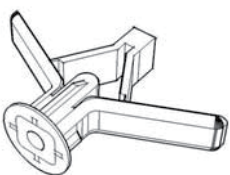


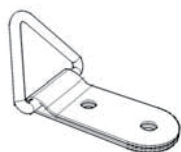
Figure 4



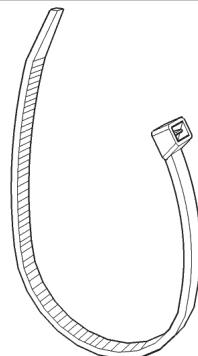
Hardware List



Anchor
1 pc. (+1 extra)



Bracket
2 pcs. (+1 extra)



Tip-over Restraint
1 pc. (+1 extra)



M3.5x40
Wall Screw
1 pc. (+1 extra)



M3.5x16
Wood Screw
1 pc. (+1 extra)

CARE INSTRUCTIONS

NEVER

allow liquids to remain on furniture.
Absorption causes parts to warp
and split and finishes to delaminate.

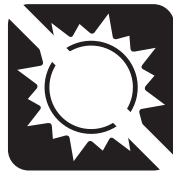
NEVER

use glass cleaners on
finished furniture. Ammonia
chemically attacks the finish.



Do not use power tools
above 8 volts to assemble.

**PREVENT
CRACKING**



Do not place
in direct sunlight.

**PREVENT
FADING**



Do not write
directly on surface.

**PREVENT
MARKING**



Do not place hot
objects on surface.

**PREVENT
FINISH DAMAGE**



Do not use rubber
based placemats.

**PREVENT
DISCOLORING**



Do not use commercial
waxes and polishes.

**PREVENT
YELLOWING**

CLEAN

with a soft cloth moistened
in lukewarm soap and water.
Buff with a dry clean cloth.



Home Styles will provide replacements free of charge for missing or damaged hardware or parts within 30 days of purchase. Digital images of the defective parts may be required. If the product was not purchased from an authorized retail affiliate, Home Styles is under no obligation to provide replacement parts. Parts are not available for fully assembled items nor are parts available for sale. Replacements for missing or damaged hardware or parts may be requested at:

www.homestyles-furniture.com/customer-service/replacement-parts

Home Styles Customer Service: www.homestyles-furniture.com,
servicedesk@homestyles-furniture.com, 888-680-7460, 877-831-0319