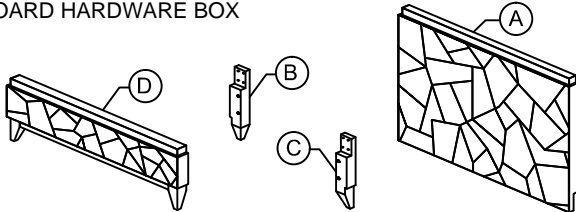


BRODERICK FULL/QUEEN BED ASSEMBLY INSTRUCTIONS



BOX #1

- A. HEADBOARD 1PC
- B. LEFT LEG 1PC
- C. RIGHT LEG 1PC
- D. FOOTBOARD 1PC
- HEADBOARD HARDWARE BOX

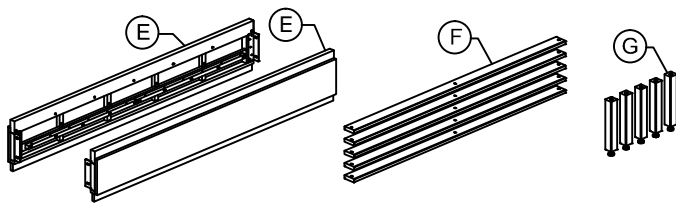


HARDWARE PACKED IN BOX #1

1	ALLEN BOLT (6X40mm)		8 PCS
2	SPRING WASHER (M6)		8 PCS
3	FLAT WASHER (M6)		8 PCS
4	ALLEN KEY (L4)		1 PC

BOX #2 :

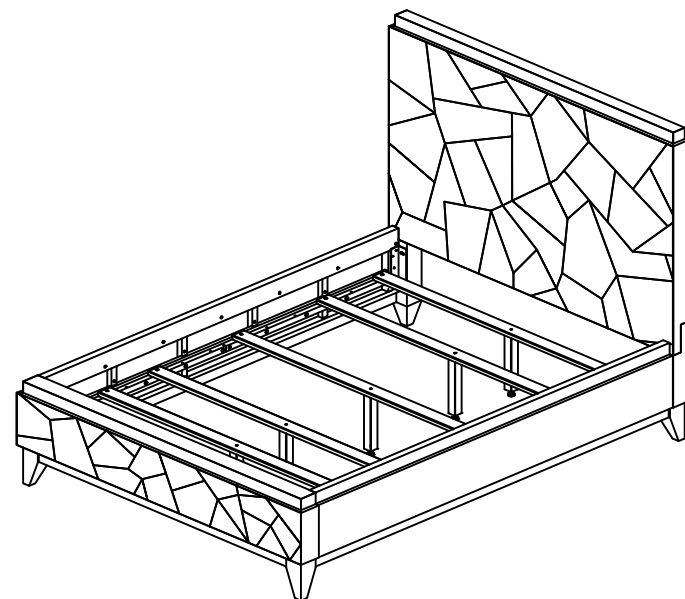
- E. SIDE RAIL 2PCS
- F. BED SLAT 5PCS
- G. SLAT SUPPORT 5PCS
- BED HARDWARE BOX



HARDWARE PACKED IN BOX #2

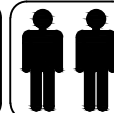
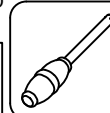
5	PHILLIPS HEAD BOLT (8X20mm)		8 PCS
6	SPRING WASHER (M8)		8 PCS
7	FLAT WASHER (M8)		8 PCS
8	WOOD SCREW (8X30mm)		11 PCS
9	ALLEN BOLT (6X40mm)		6 PCS
10	ALLEN KEY (L4)		1 PC

ASSEMBLY COMPLETE

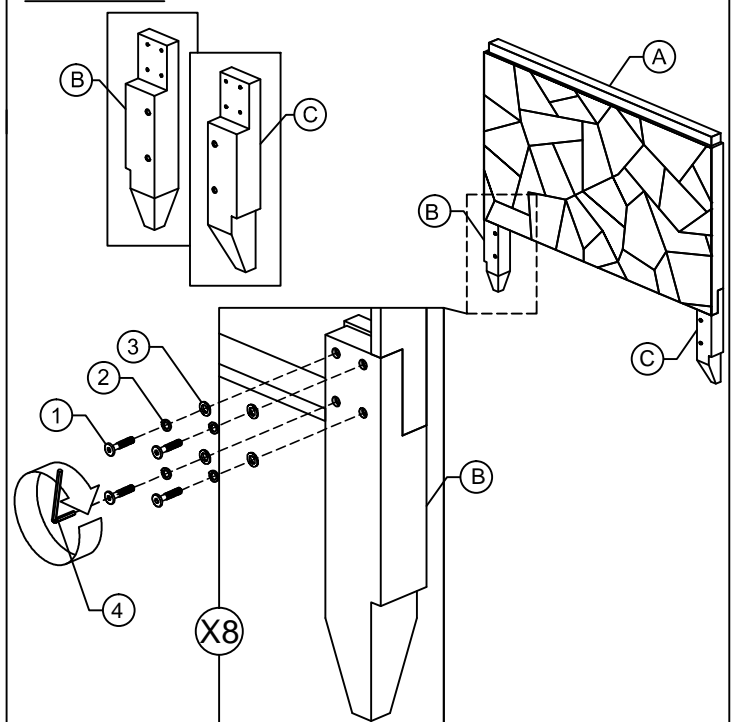


TOOL REQUIRED : PHILLIPS HEAD
SCREWDRIVER (NOT PROVIDED)

YOUR BOX
MAY CONTAIN
EXTRA HARDWARE



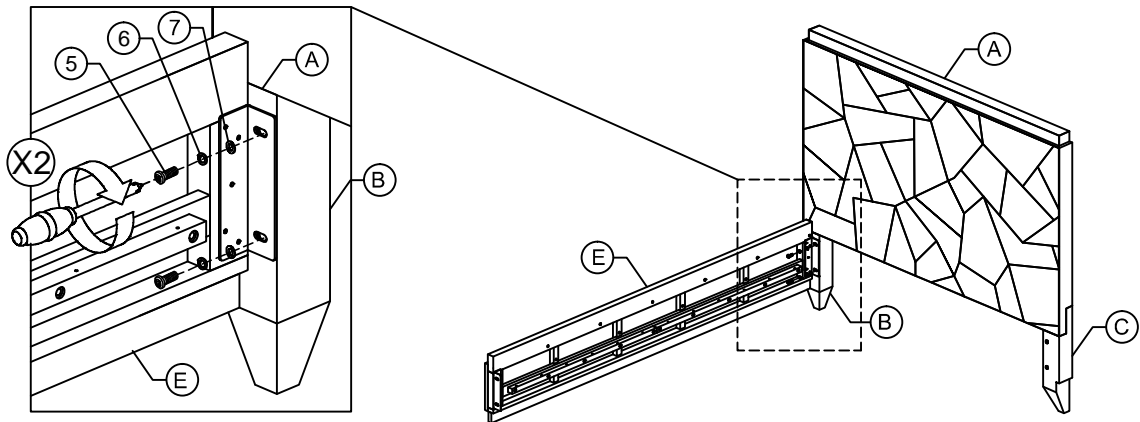
STEP 1 :



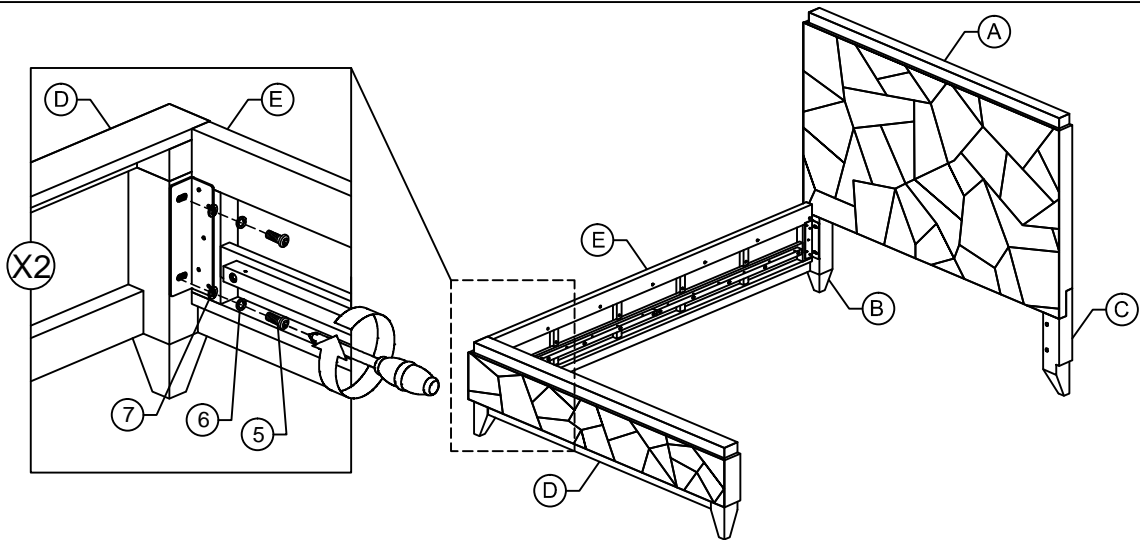
BRODERICK FULL/QUEEN BED ASSEMBLY INSTRUCTIONS



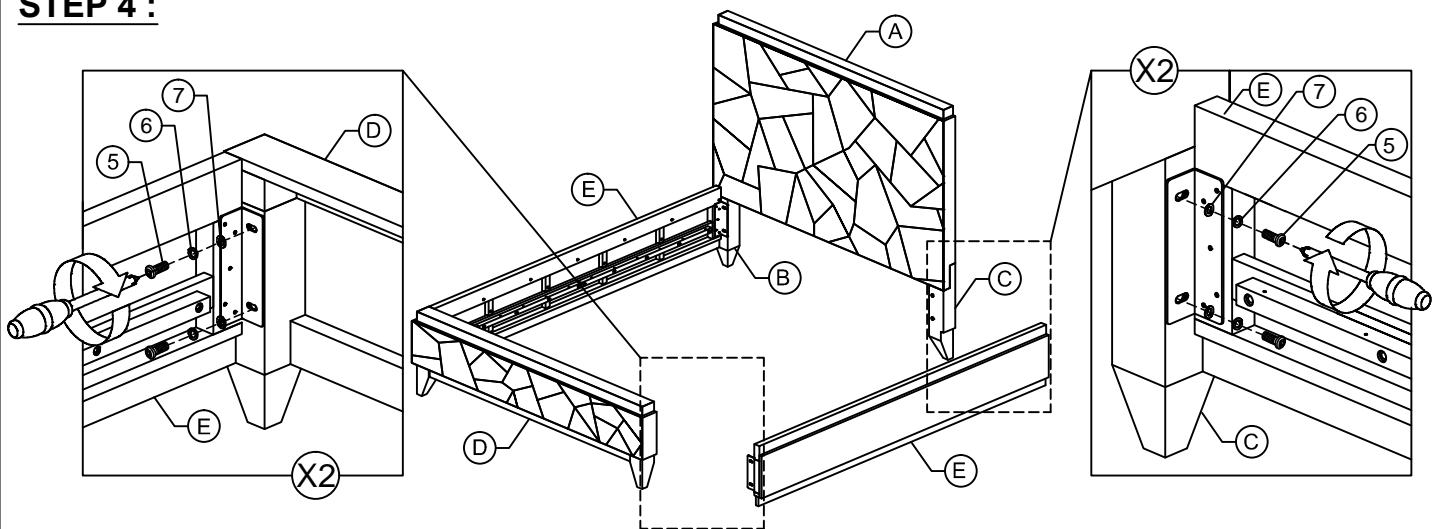
STEP 2 :



STEP 3 :



STEP 4 :



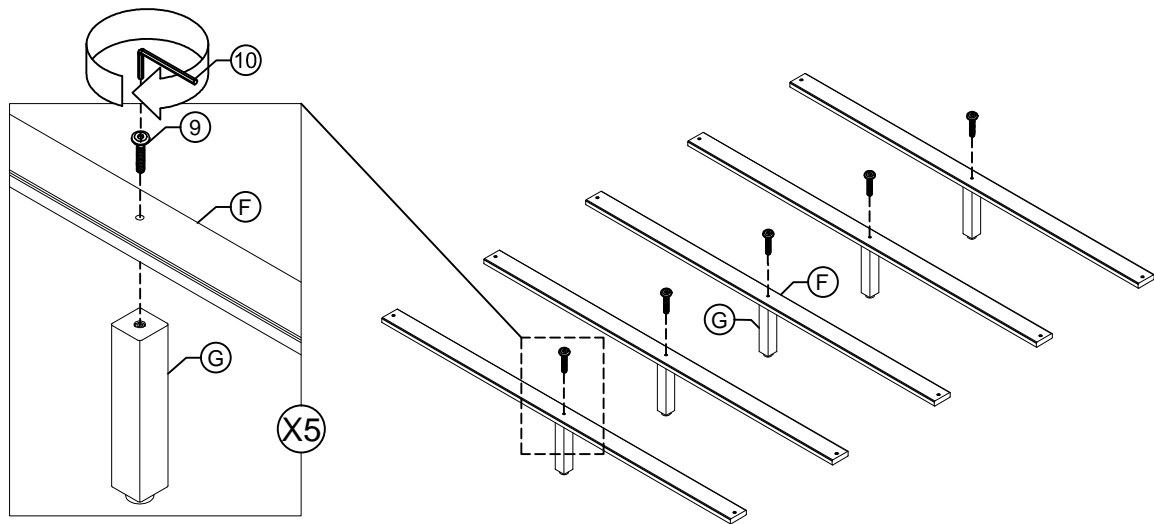
STOP

- IF USING BED FRAME WITH ADJUSTABLE MATTRESS BASE, SKIP TO APPENDIX A: ADJUSTABLE MATTRESS BASE ASSEMBLY SUPPLEMENT.
- IF USING BED FRAME WITH STANDARD BOX SPRING OR FOUNDATION CONTINUE TO STEP 5.

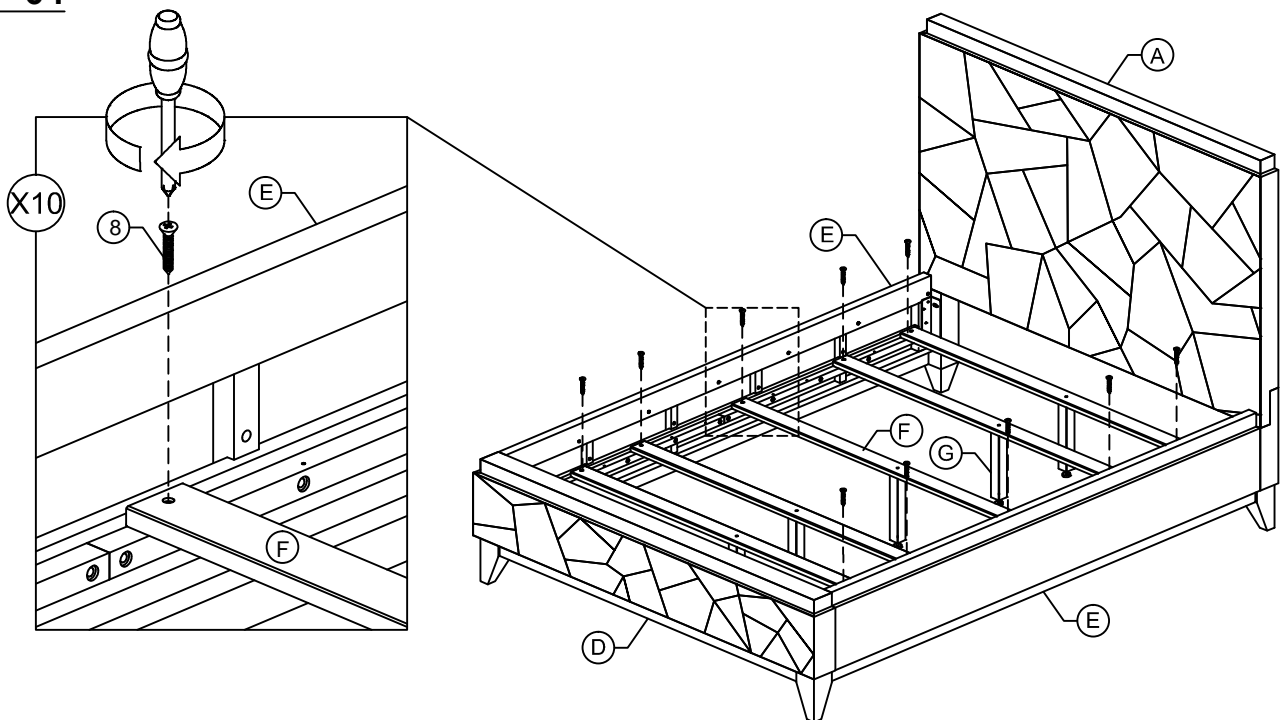
BRODERICK FULL/QUEEN BED ASSEMBLY INSTRUCTIONS



STEP 5 :



STEP 6 :

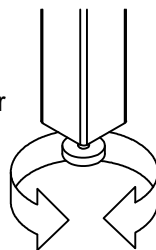


INSTRUCTIONS FOR ADJUSTING LEVELER :

Position the bed in your space and locate the leveler under each slat support (G).

Turn the leveler counter-clockwise to extend the leveler and clockwise to retract it.

Adjust each leveler until each slat support is applying equal, upward pressure on the bed slat support .



MAINTENANCE INSTRUCTION :

- Remove box spring and mattress before moving your bed.
- Lift your bed when moving it. Dragging can damage the leg support.
- Readjust levelers after moving your bed.

BRODERICK FULL/QUEEN BED

APPENDIX A: ADJUSTABLE MATTRESS BASE ASSEMBLY SUPPLEMENT



AN ADJUSTABLE MATTRESS BASE IS A FREESTANDING MATTRESS SUPPORT THAT SITS WITHIN THE PERIMETER OF THE BED FRAME.

IF USING THIS BED FRAME WITH A STANDARD BOX SPRING OR FOUNDATION THESE INSTRUCTIONS DO NOT APPLY.

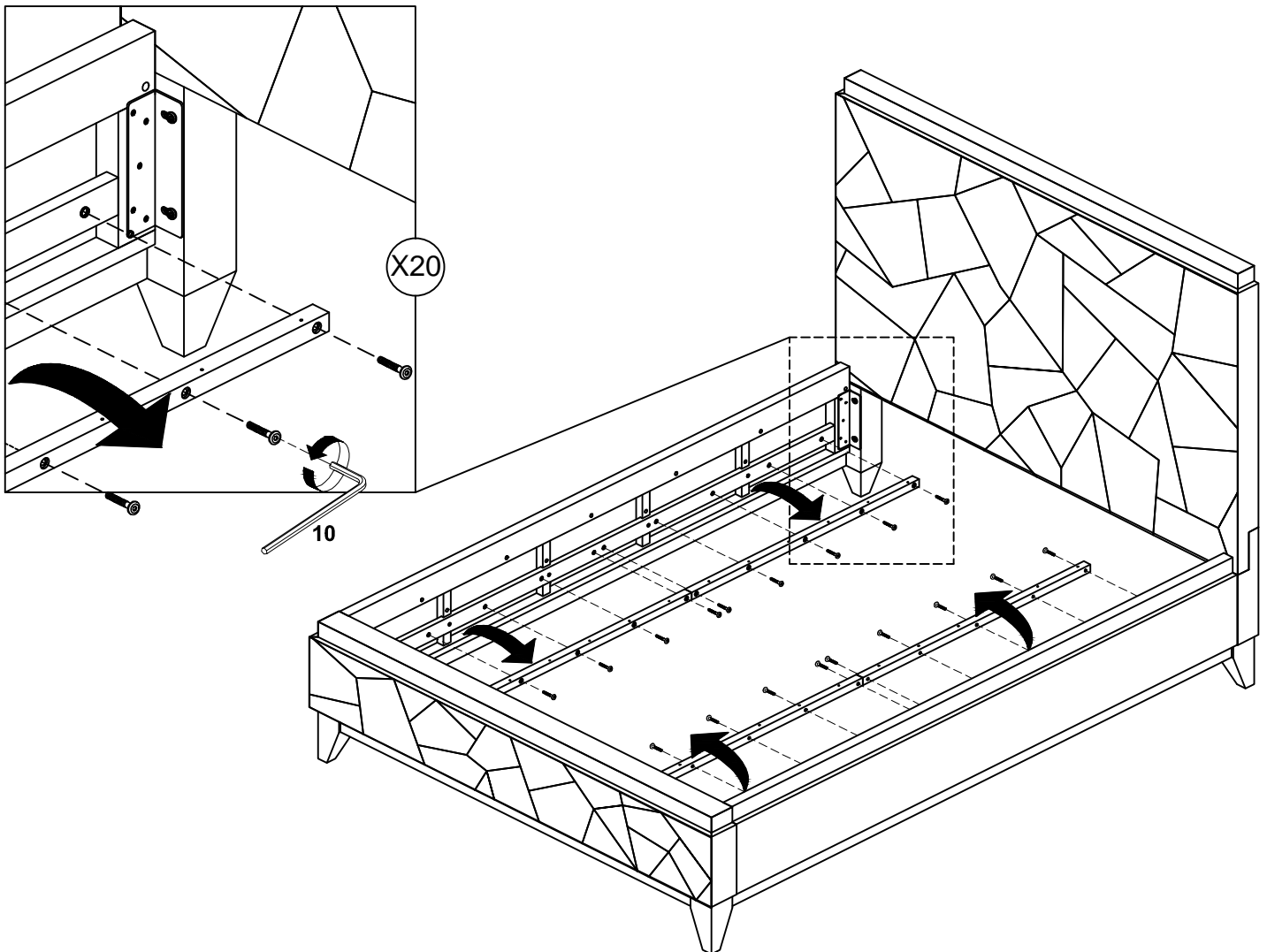
PRE-ASSEMBLED SIDE RAIL CLEATS OBSTRUCT ADJUSTABLE BASE INSTALLATION AND OPERATION. FOLLOW THESE INSTRUCTIONS TO REMOVE THEM.

THE FOLLOWING PARTS ARE NOT REQUIRED FOR ADJUSTABLE MATTRESS BASE INSTALLATION:

F. BED SLAT	5PCS	8. WOOD SCREW (8X30mm)	11PCS
G. SLAT SUPPORT	5PCS	9. ALLEN BOLT (6X40mm)	6PCS

STEP 1 :

USE ALLEN KEY (10) TO UNSCREW ALLEN BOLTS AND REMOVE PRE-ASSEMBLED SIDE RAIL CLEATS.



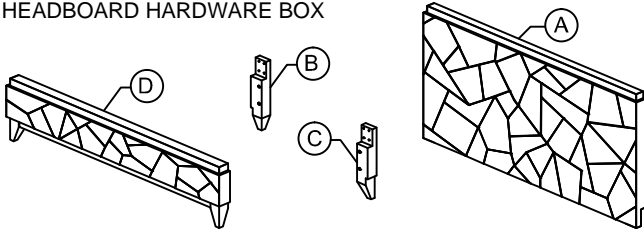
NOTE: YOU MAY WISH TO RETAIN UNUSED PARTS IF IN THE FUTURE YOU INTEND TO USE THE BED FRAME WITH A STANDARD BOX SPRING OR FOUNDATION.

BRODERICK E-KING/CAL KING BED ASSEMBLY INSTRUCTIONS



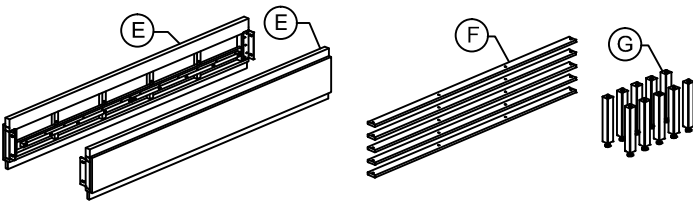
BOX #1

- A. HEADBOARD 1PC
- B. LEFT LEG 1PC
- C. RIGHT LEG 1PC
- D. FOOTBOARD 1PC
- HEADBOARD HARDWARE BOX



BOX #2 :

- E. SIDE RAIL 2PCS
- F. BED SLAT 5PCS
- G. SLAT SUPPORT 10PCS
- BED HARDWARE BOX



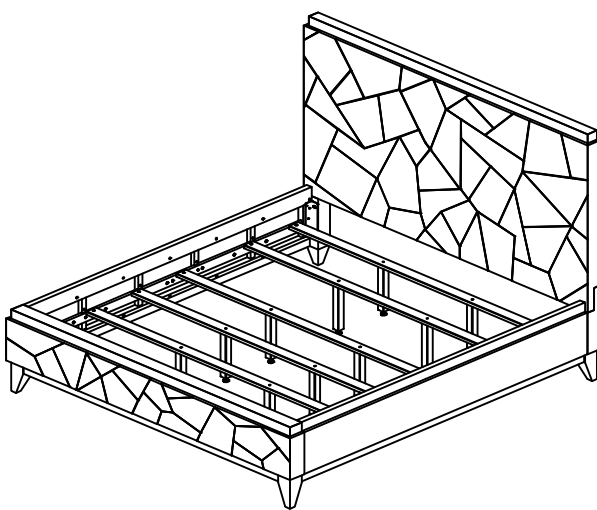
HARDWARE PACKED IN BOX #1

1	ALLEN BOLT (6X40mm)		8 PCS
2	SPRING WASHER (M6)		8 PCS
3	FLAT WASHER (M6)		8 PCS
4	ALLEN KEY (L4)		1 PC

HARDWARE PACKED IN BOX #2

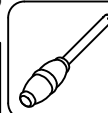
5	PHILLIPS HEAD BOLT (8X20mm)		8 PCS
6	SPRING WASHER (M8)		8 PCS
7	FLAT WASHER (M8)		8 PCS
8	WOOD SCREW (8X30mm)		11 PCS
9	ALLEN BOLT (6X40mm)		11 PCS
10	ALLEN KEY (L4)		1 PC

ASSEMBLY COMPLETE

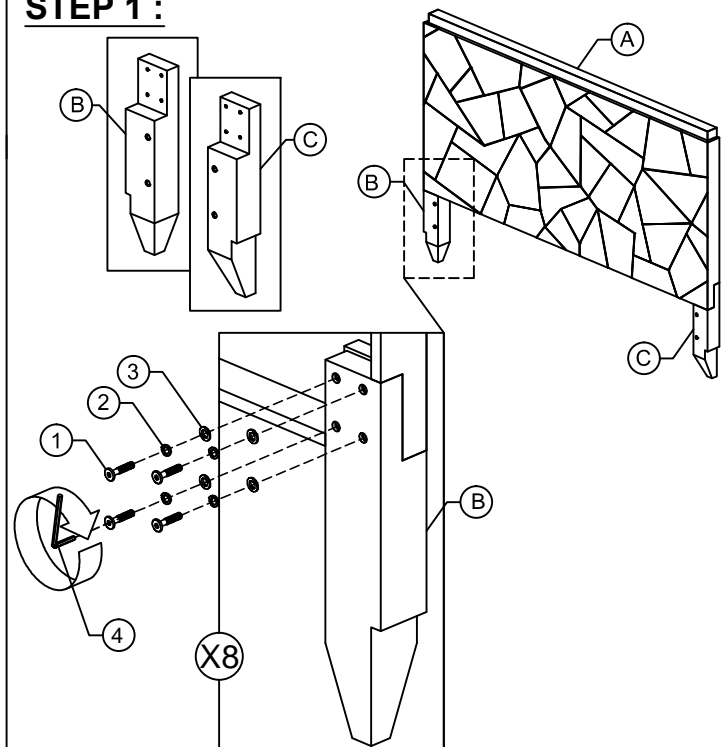


TOOL REQUIRED : PHILLIPS HEAD
SCREWDRIVER (NOT PROVIDED)

YOUR BOX
MAY CONTAIN
EXTRA HARDWARE



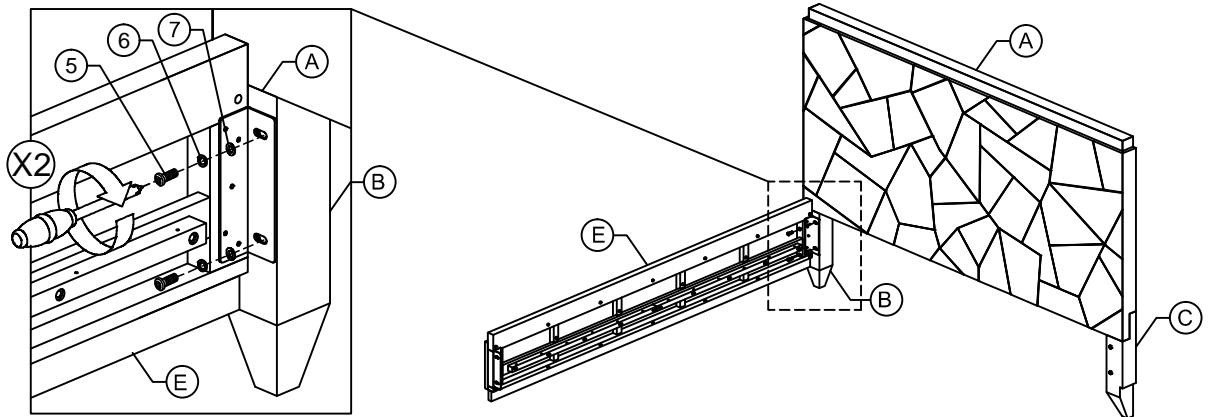
STEP 1 :



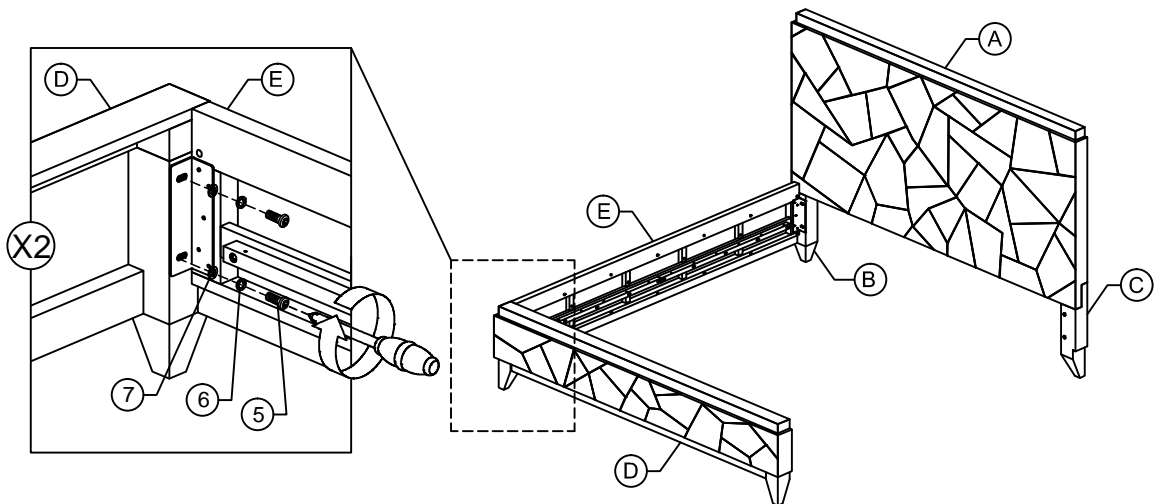
BRODERICK E-KING/CAL KING BED ASSEMBLY INSTRUCTIONS



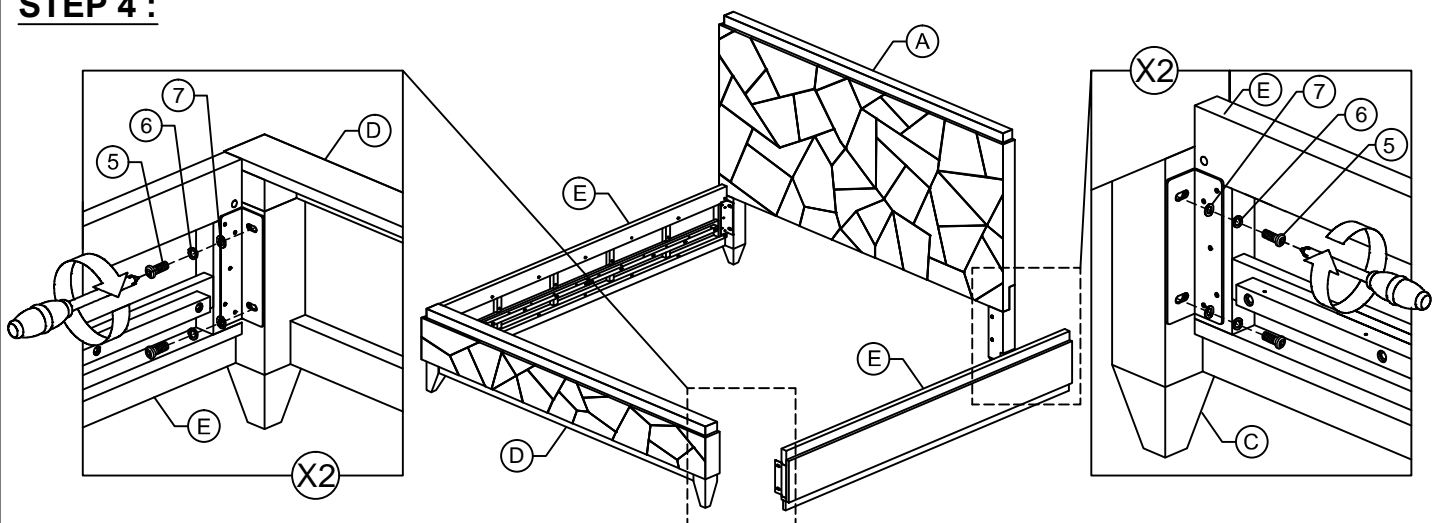
STEP 2 :



STEP 3 :



STEP 4 :



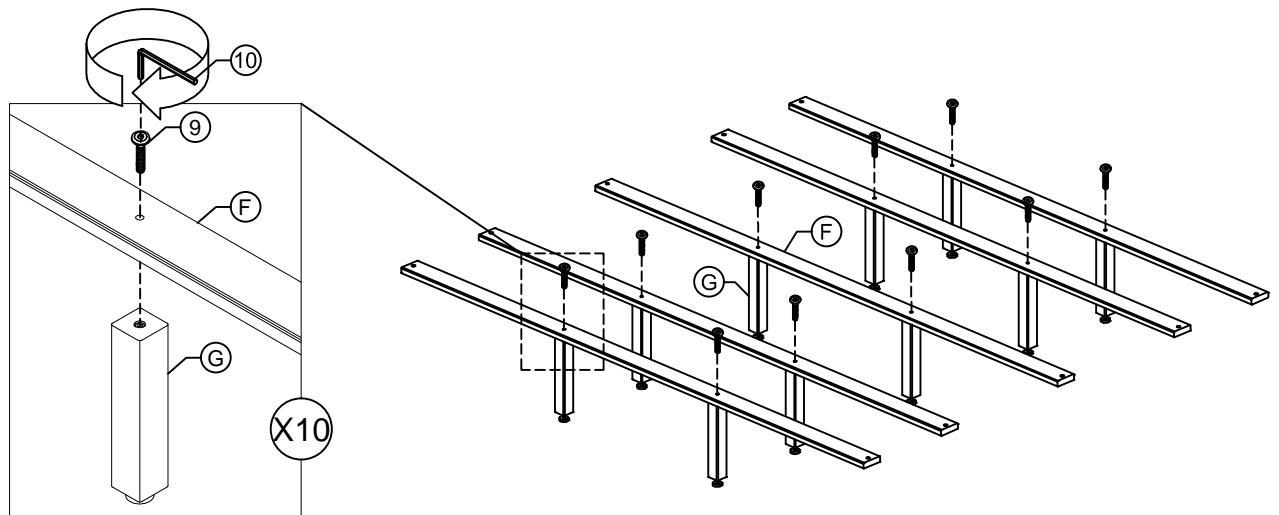
STOP

- IF USING BED FRAME WITH ADJUSTABLE MATTRESS BASE, SKIP TO APPENDIX A: ADJUSTABLE MATTRESS BASE ASSEMBLY SUPPLEMENT.
- IF USING BED FRAME WITH STANDARD BOX SPRING OR FOUNDATION CONTINUE TO STEP 5.

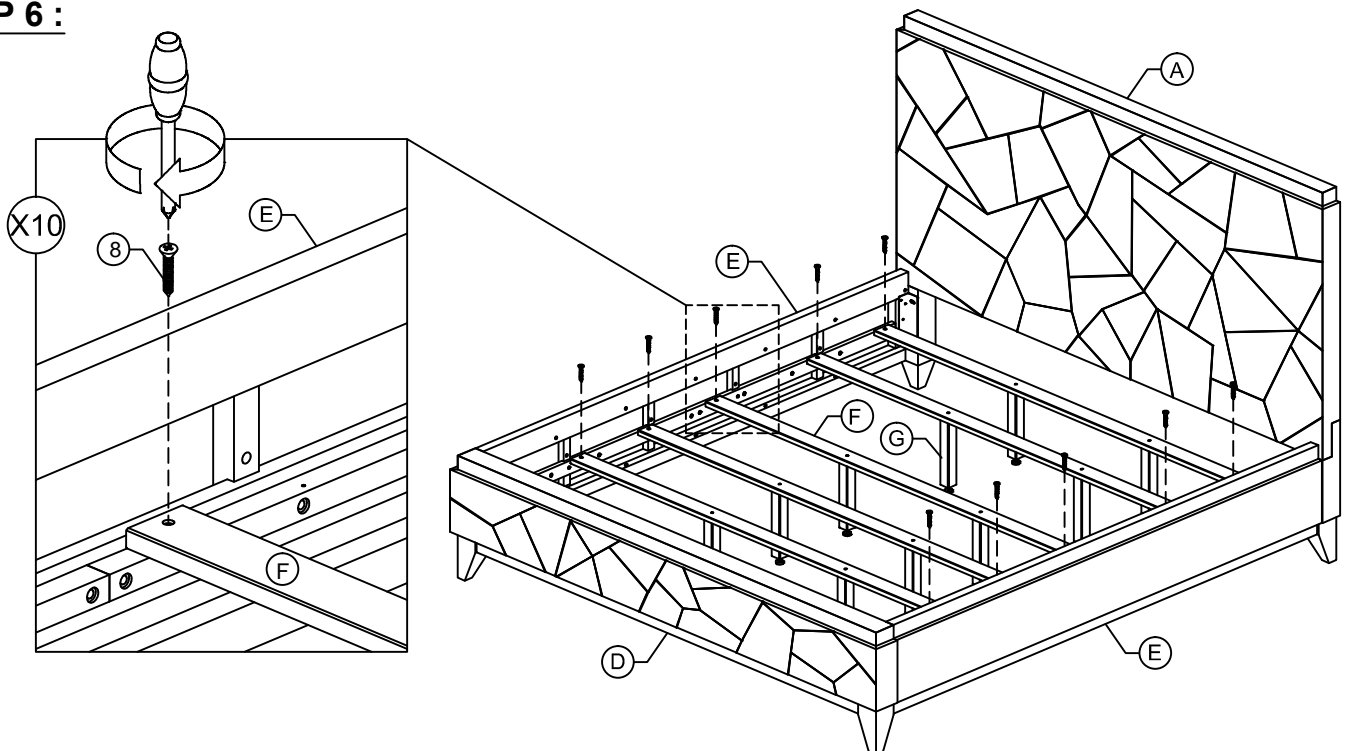
BRODERICK E-KING/CAL KING BED ASSEMBLY INSTRUCTIONS



STEP 5 :



STEP 6 :

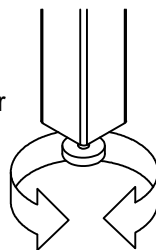


INSTRUCTIONS FOR ADJUSTING LEVELER :

Position the bed in your space and locate the leveler under each slat support (G).

Turn the leveler counter-clockwise to extend the leveler and clockwise to retract it.

Adjust each leveler until each slat support is applying equal, upward pressure on the bed slat support .



MAINTENANCE INSTRUCTION :

- Remove box spring and mattress before moving your bed.
- Lift your bed when moving it. Dragging can damage the leg support.
- Readjust levelers after moving your bed.

BRODERICK E-KING/CAL KING BED

APPENDIX A: ADJUSTABLE MATTRESS BASE ASSEMBLY SUPPLEMENT



AN ADJUSTABLE MATTRESS BASE IS A FREESTANDING MATTRESS SUPPORT THAT SITS WITHIN THE PERIMETER OF THE BED FRAME.

IF USING THIS BED FRAME WITH A STANDARD BOX SPRING OR FOUNDATION THESE INSTRUCTIONS DO NOT APPLY.

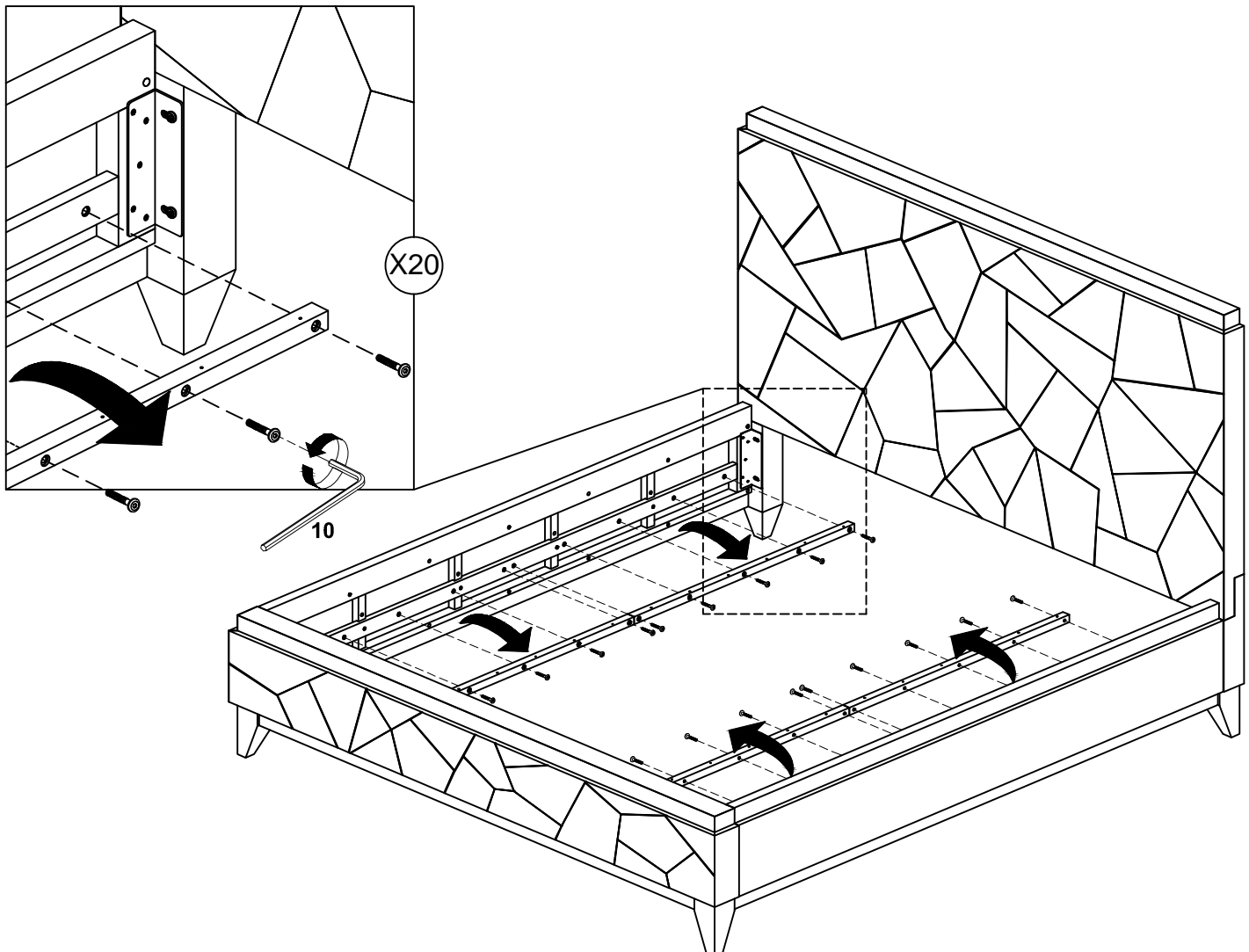
PRE-ASSEMBLED SIDE RAIL CLEATS OBSTRUCT ADJUSTABLE BASE INSTALLATION AND OPERATION. FOLLOW THESE INSTRUCTIONS TO REMOVE THEM.

THE FOLLOWING PARTS ARE NOT REQUIRED FOR ADJUSTABLE MATTRESS BASE INSTALLATION:

F. BED SLAT	5PCS	8. WOOD SCREW (8X30mm)	11PCS
G. SLAT SUPPORT	10PCS	9. ALLEN BOLT (6X40mm)	11PCS

STEP 1 :

USE ALLEN KEY (10) TO UNSCREW ALLEN BOLTS AND REMOVE PRE-ASSEMBLED SIDE RAIL CLEATS.



NOTE: YOU MAY WISH TO RETAIN UNUSED PARTS IF IN THE FUTURE YOU INTEND TO USE THE BED FRAME WITH A STANDARD BOX SPRING OR FOUNDATION.